



US00D633656S

(12) **United States Design Patent**
Foster et al.

(10) **Patent No.:** **US D633,656 S**
(45) **Date of Patent:** **** Mar. 1, 2011**

(54) **SOFT HAND RESTRAINT DEVICE FOR TRANSPORTING PRISONERS**

(76) Inventors: **John Thomas Foster**, Westerville, OH (US); **Glenda Louise Hill-Foster**, Westerville, OH (US)

(**) Term: **14 Years**

(21) Appl. No.: **29/379,329**

(22) Filed: **Nov. 17, 2010**

D352,572 S	11/1994	Pustizzi, Jr.
5,377,510 A	1/1995	Smith
5,398,383 A	3/1995	Bingold
5,479,943 A	1/1996	Kushnell, III
5,542,433 A	8/1996	Saupe
5,555,751 A	9/1996	Strickland
5,604,933 A	2/1997	Stephens

(Continued)

FOREIGN PATENT DOCUMENTS

GB 2426429 A 11/2006

(Continued)

Related U.S. Application Data

(60) Division of application No. 29/344,763, filed on Oct. 3, 2009, now abandoned, which is a continuation-in-part of application No. 29/331,388, filed on Jan. 25, 2009, now Pat. No. Des. 608,953.

(51) **LOC (9) Cl.** **29-02**

(52) **U.S. Cl.** **D29/120.2**

(58) **Field of Classification Search** D29/120.1, D29/120.2, 113; 2/16, 17, 170; 24/16 PB; 70/14-19; 119/770; 128/869, 878
See application file for complete search history.

Primary Examiner—Raphael Barkai
Assistant Examiner—Randall Gholson
(74) *Attorney, Agent, or Firm*—Raymond N. Ervin, Ltd.; Raymond Nathaniel Ervin

(57) **CLAIM**

An ornamental design for a soft hand restraint device for transporting prisoners, as shown and described.

(56) **References Cited**

U.S. PATENT DOCUMENTS

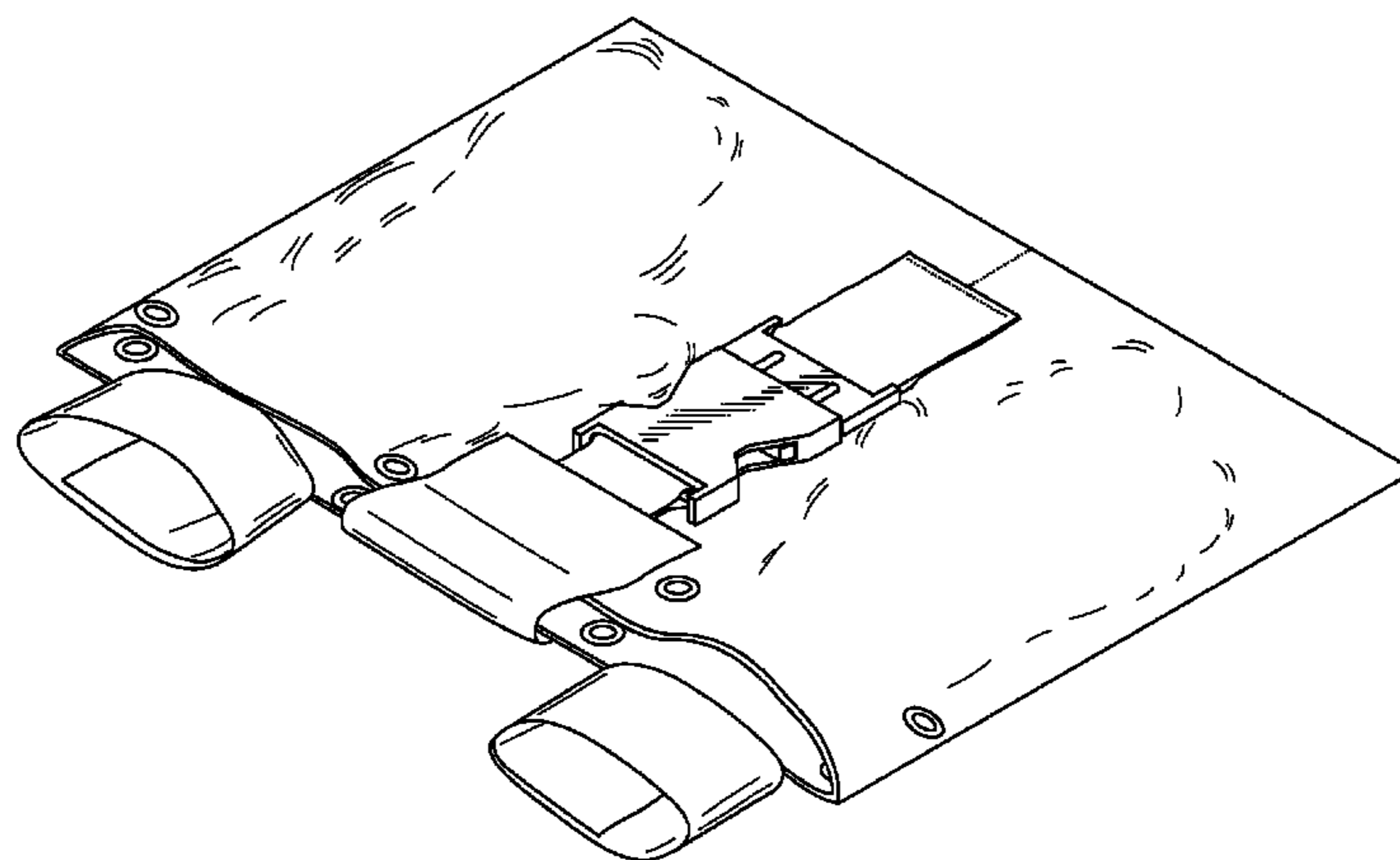
3,740,977 A	6/1973	Stefansen et al.	
3,741,207 A	6/1973	Fuson	
4,469,096 A *	9/1984	Rivadeneira	128/879
4,618,328 A	10/1986	Chi	
4,674,110 A *	6/1987	Eaton et al.	378/208
4,887,616 A *	12/1989	Baijnath	128/879
4,964,419 A	10/1990	Karriker	
5,007,257 A	4/1991	Thompson	
5,031,641 A	7/1991	Upton	
5,088,158 A	2/1992	Burkholder	
5,121,743 A *	6/1992	Bishop	602/22
5,159,728 A	11/1992	Bingold	
5,261,728 A	11/1993	Carmichael	
D347,156 S	5/1994	Starett et al.	
5,345,947 A	9/1994	Fisher	
5,349,966 A	9/1994	Garcia	

DESCRIPTION

FIG. 1 is a front perspective view showing the soft hand restraint device for transporting prisoners showing the handcuff retaining strap and wrist restraints in the closed position; and,

FIG. 2 is a front perspective view showing the design of another embodiment of the soft hand restraint device for transporting prisoners having a seat belt restraint slot that incorporates the handcuff retaining strap located in the proximity of the top edge, showing the wrist restraints and the handcuff retaining strap in the closed position, beyond this aspect alone, all other elements and aspects of the design being substantially similar.

1 Claim, 2 Drawing Sheets



US D633,656 S

Page 2

U.S. PATENT DOCUMENTS

5,732,576 A 3/1998 Moore
5,797,404 A 8/1998 Stanchin, II
6,000,249 A 12/1999 Wilber
6,138,677 A 10/2000 DeVane
6,886,374 B2 5/2005 Clifton, Jr.

7,210,172 B2 5/2007 Adams, Jr.

FOREIGN PATENT DOCUMENTS

WO WO 2007/066367 A2 6/2007

* cited by examiner

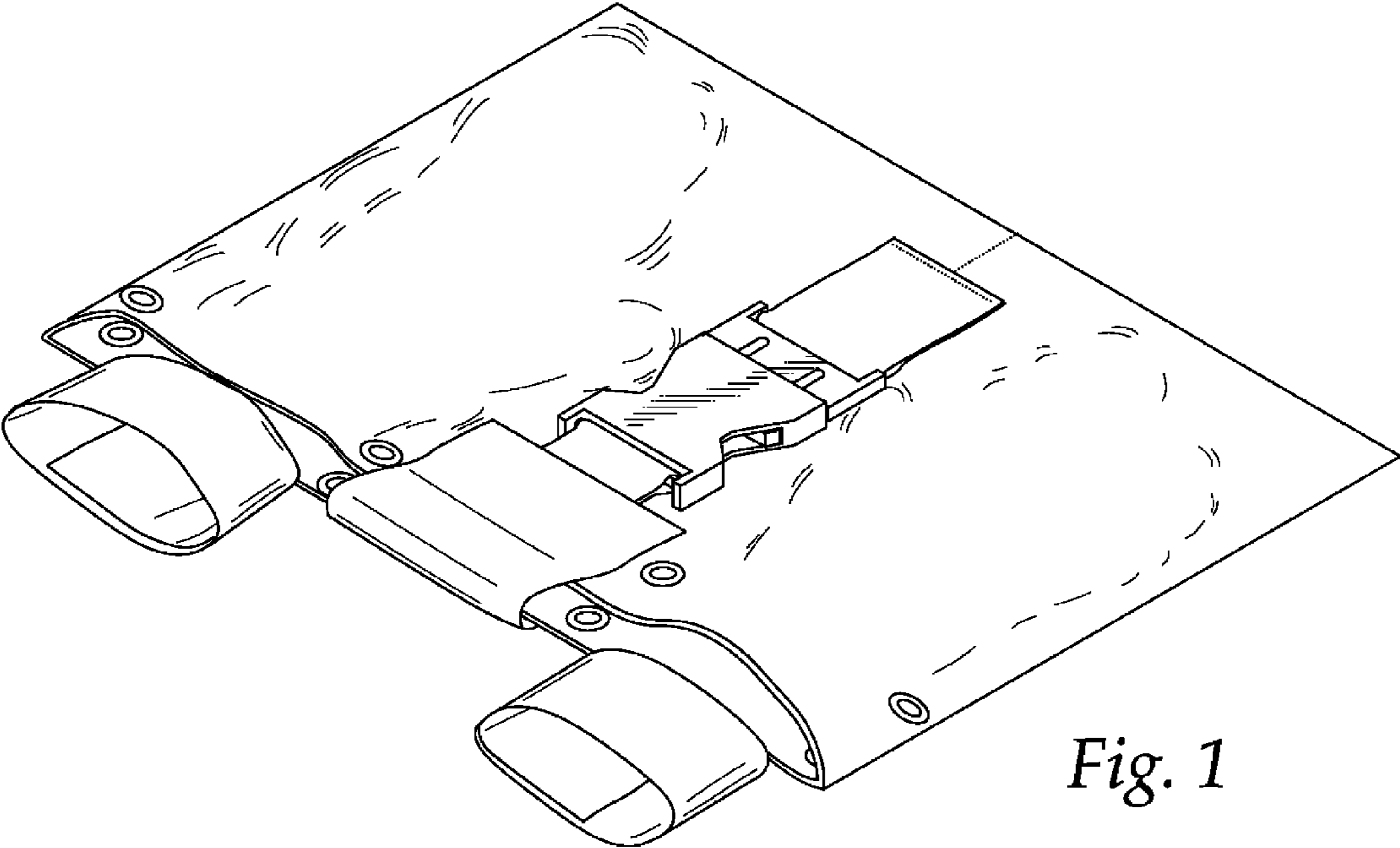


Fig. 1

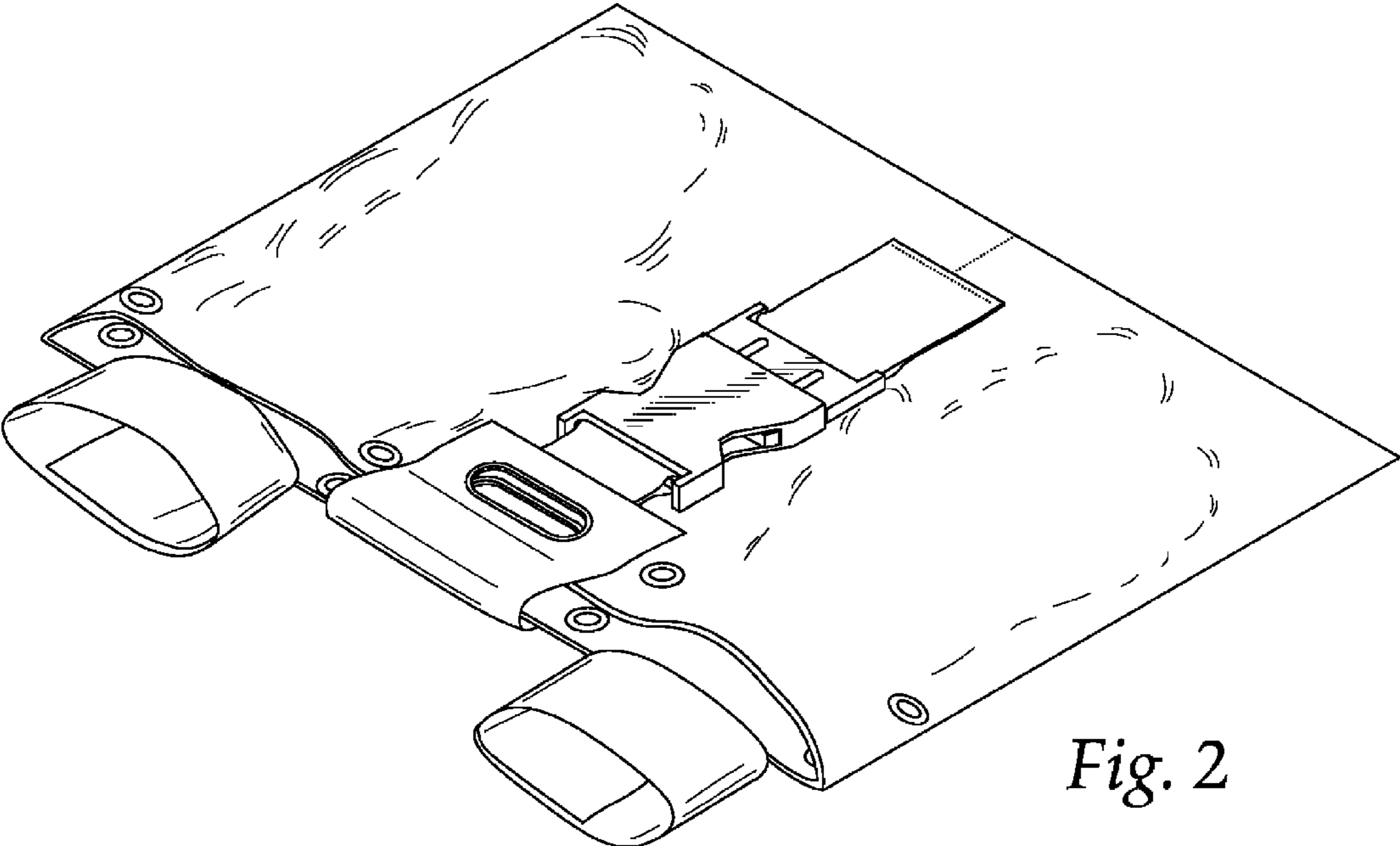


Fig. 2