



US00D633651S

(12) **United States Design Patent**  
**Robinson-Scott**

(10) **Patent No.:** **US D633,651 S**

(45) **Date of Patent:** **\*\* Mar. 1, 2011**

(54) **HAIR HEIGHTENER**

(76) Inventor: **Eunice Robinson-Scott**, Chesapeake,  
VA (US)

(\*\*) Term: **14 Years**

(21) Appl. No.: **29/370,914**

(22) Filed: **Sep. 22, 2010**

(51) **LOC (9) Cl.** ..... **28-03**

(52) **U.S. Cl.** ..... **D28/10**

(58) **Field of Classification Search** ..... D28/9,  
D28/10, 99; 132/200, 212, 207, 210, 53-55  
See application file for complete search history.

(56) **References Cited**

U.S. PATENT DOCUMENTS

4,825,886	A *	5/1989	Allen	.....	132/54
5,117,846	A *	6/1992	Finamore et al.	.....	132/54
7,264,003	B2 *	9/2007	Chayeb	.....	132/54
D627,509	S *	11/2010	Tsai	.....	D28/10

2009/0071497 A1\* 3/2009 Szlanfucht et al. .... 132/210

\* cited by examiner

*Primary Examiner*—Jennifer Rivard

(74) *Attorney, Agent, or Firm*—William G. Sykes

(57) **CLAIM**

The ornamental design for a hair heightener, as shown.

**DESCRIPTION**

FIG. 1 is a front perspective view of a hair heightener showing my new design;

FIG. 2 is a top plan view thereof;

FIG. 3 is a bottom plan view thereof;

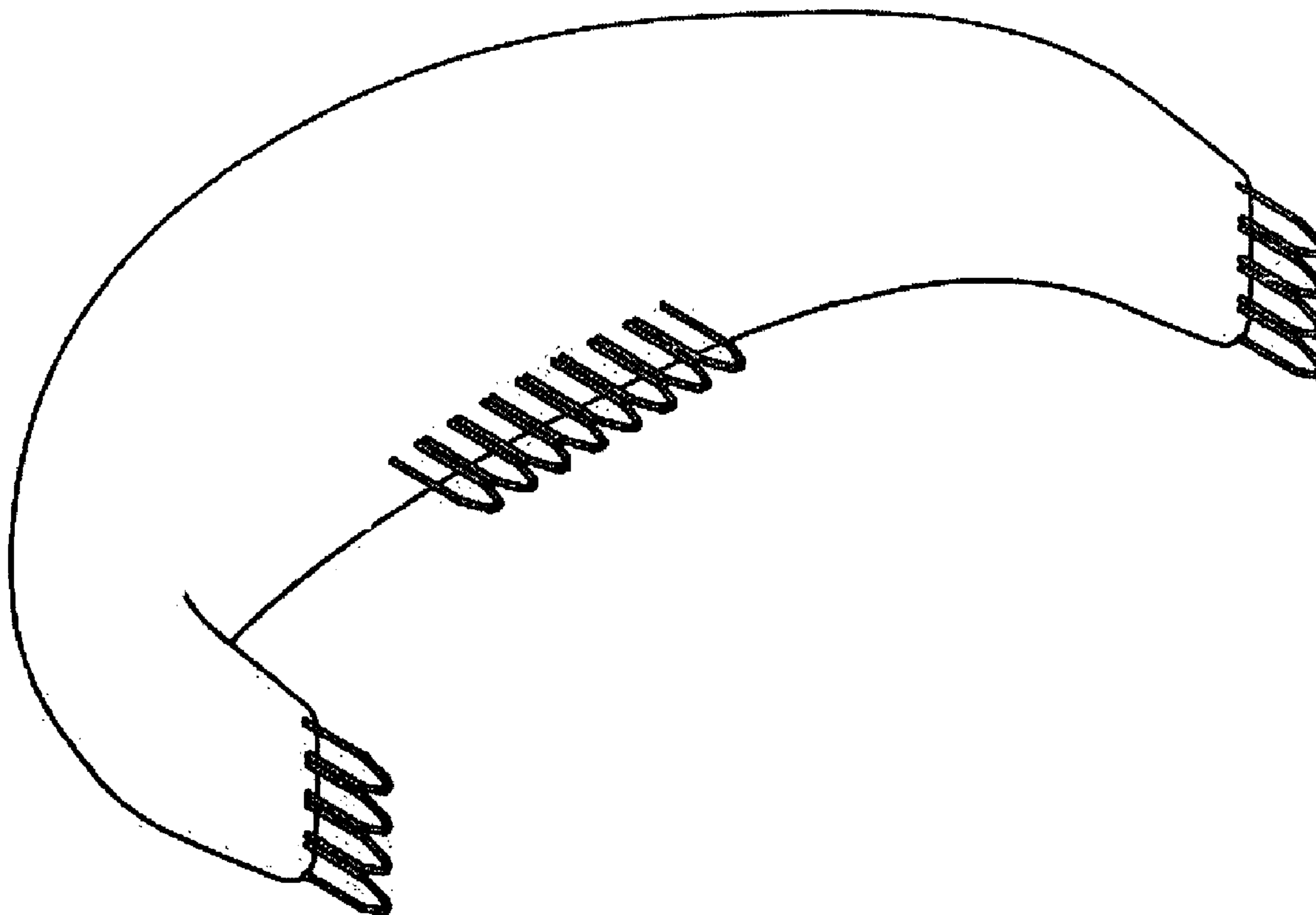
FIG. 4 is a front view thereof;

FIG. 5 is a left side view thereof;

FIG. 6 is a right side view thereof; and,

FIG. 7 is a back view thereof.

**1 Claim, 7 Drawing Sheets**



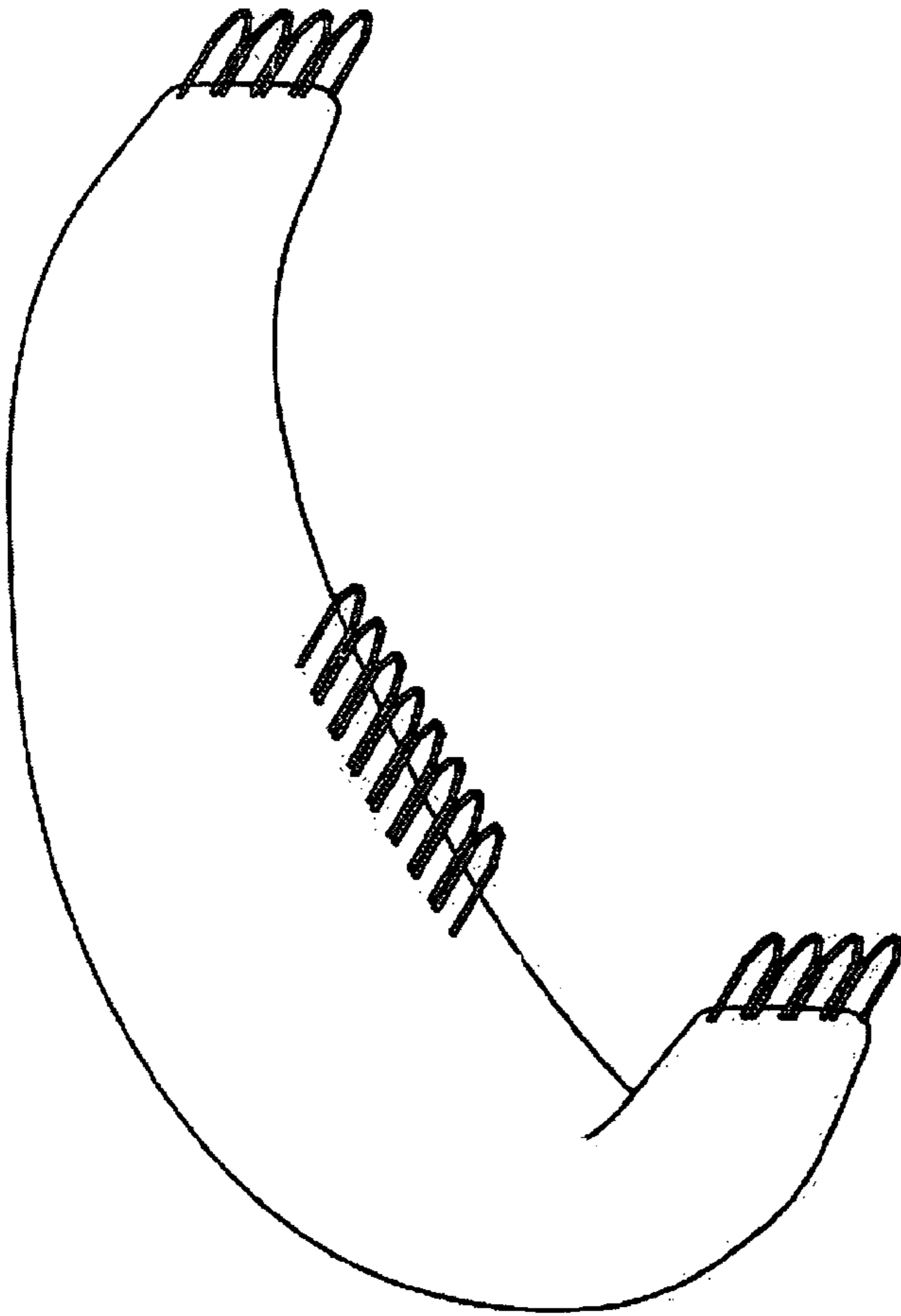


Fig. 1

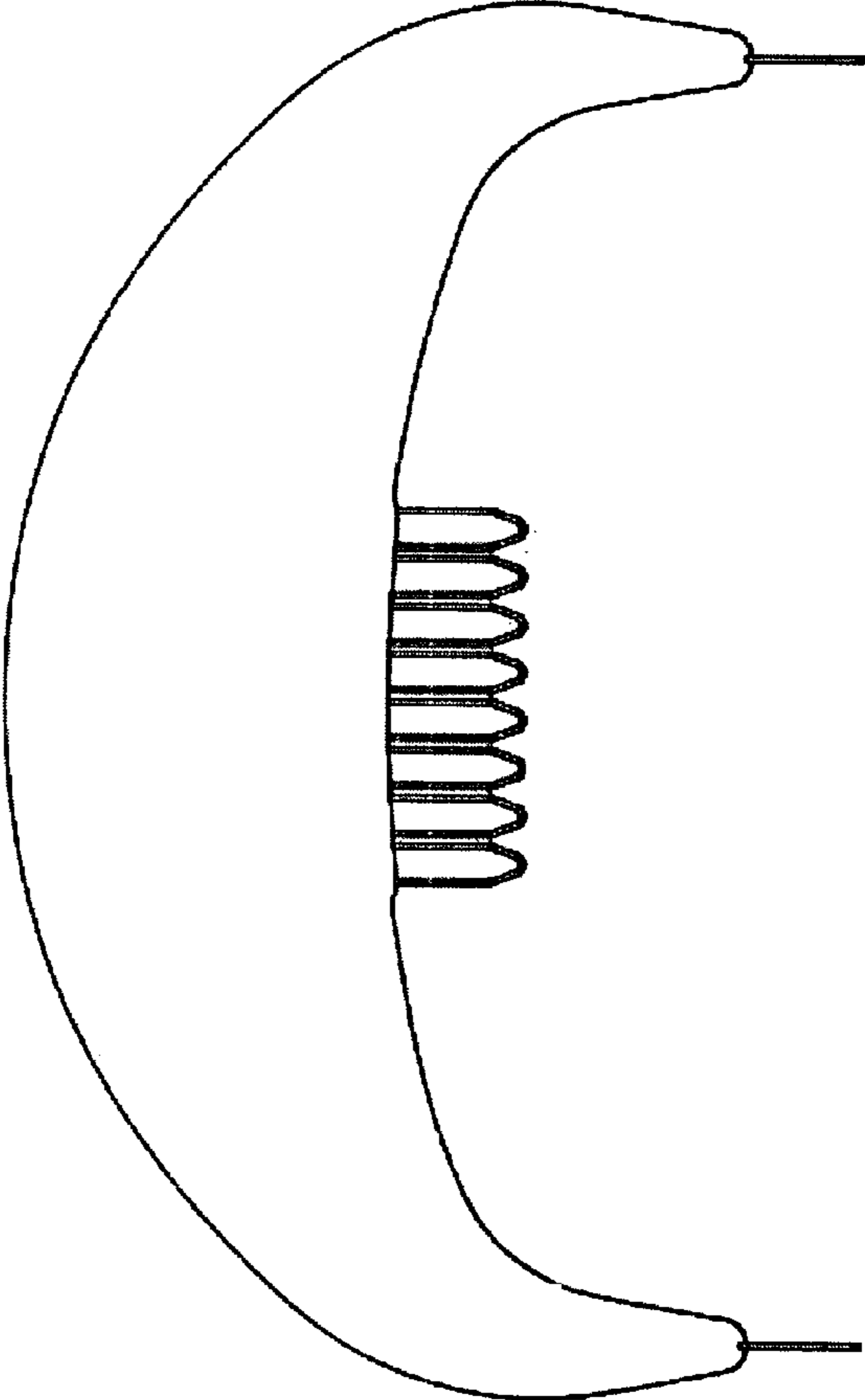


Fig. 2

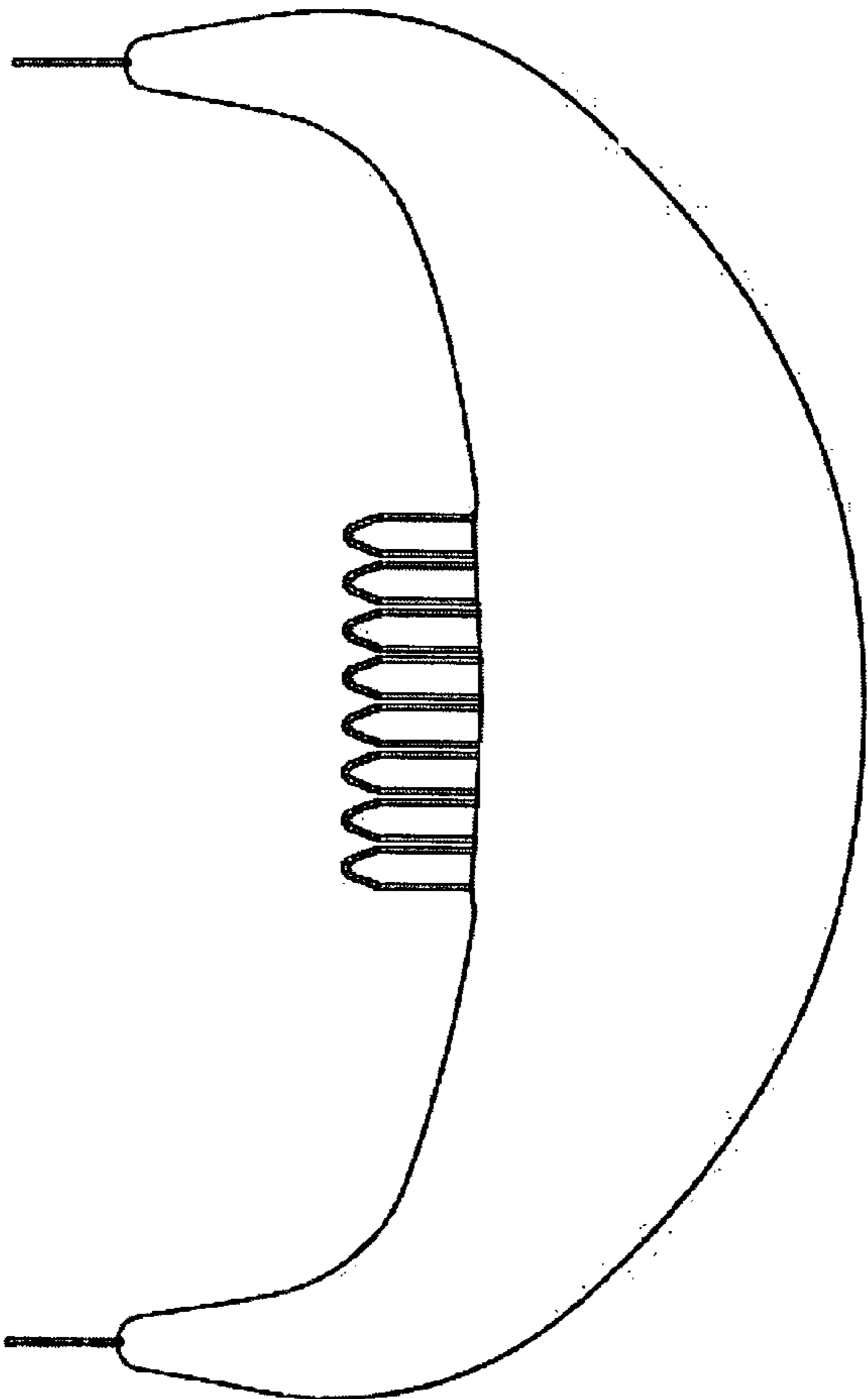


Fig. 3

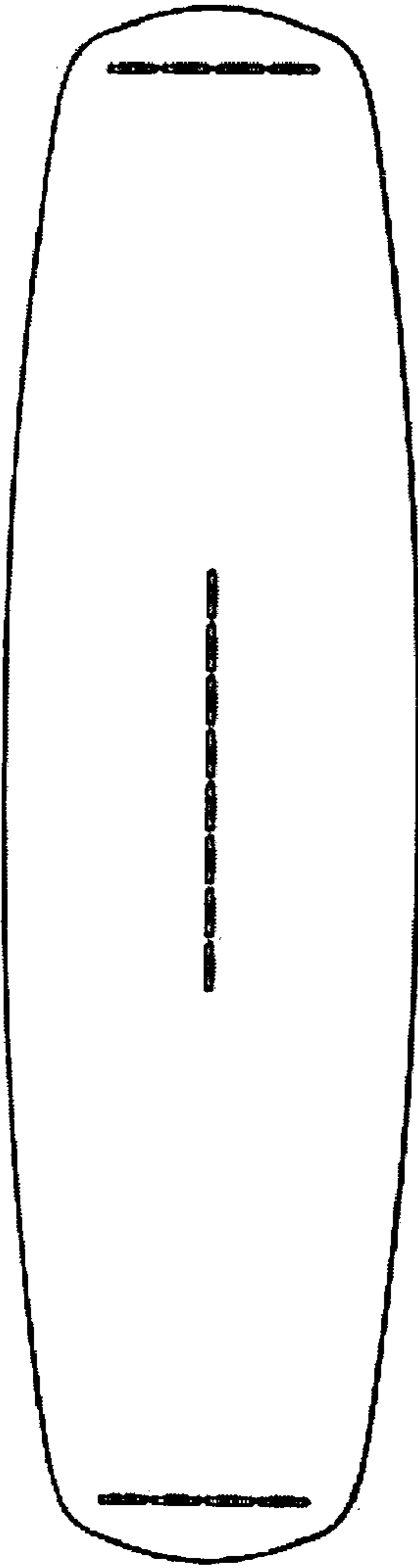


Fig. 4

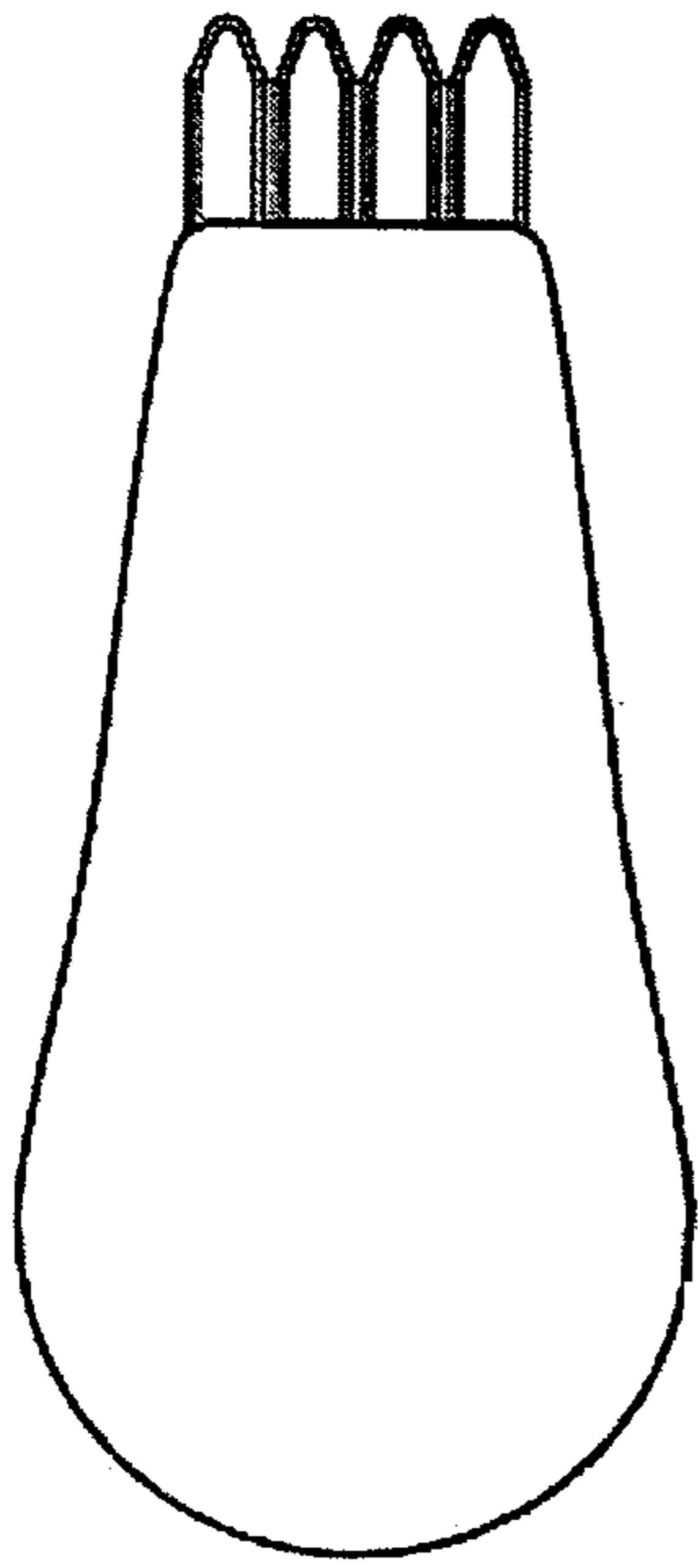


Fig. 5

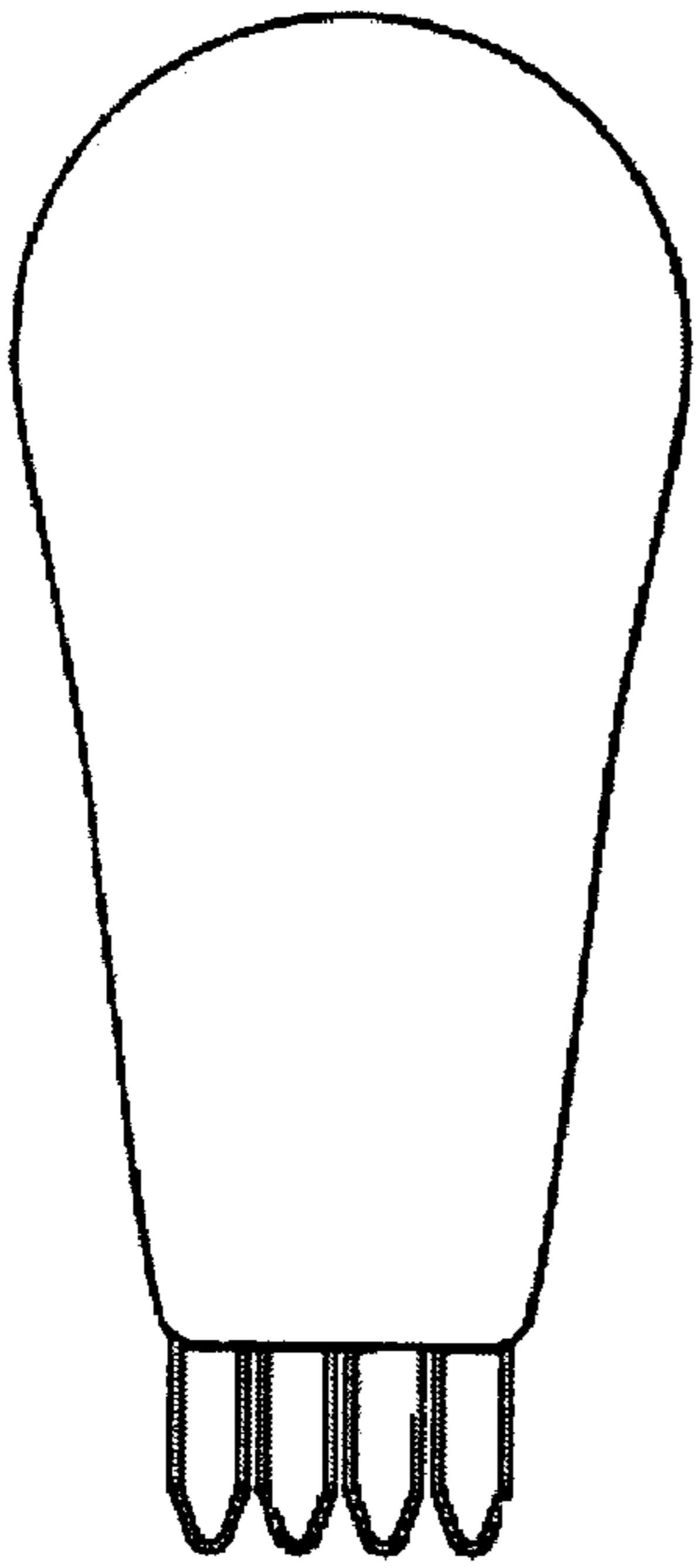


Fig. 6

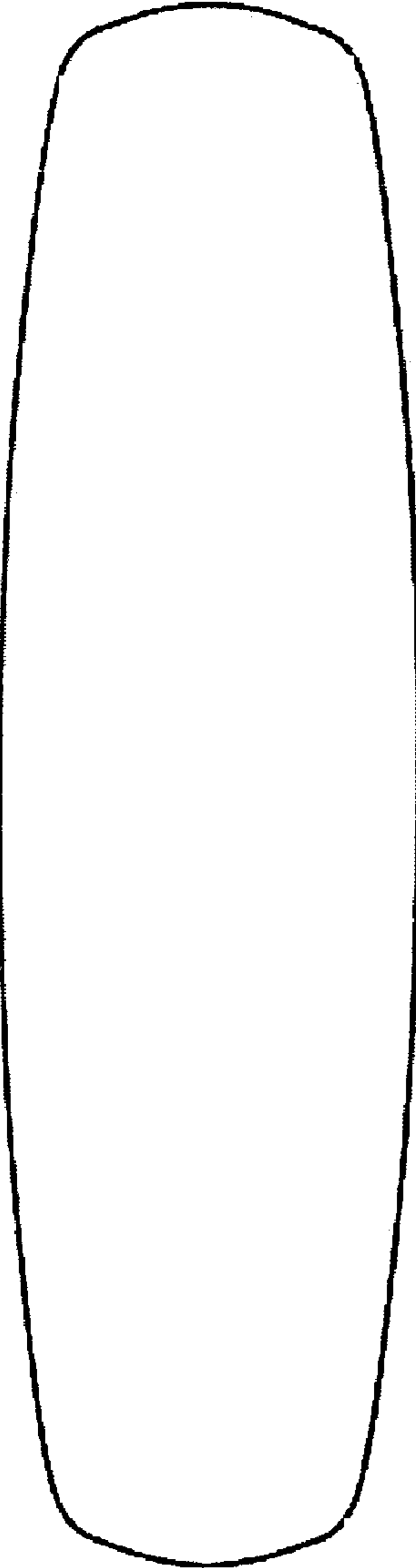


Fig. 7