

US00D633648S

(12) **United States Design Patent**
Datz

(10) **Patent No.:** **US D633,648 S**
(45) **Date of Patent:** **** Mar. 1, 2011**

(54) **FACE FOR OPTICAL ELEMENT OF A WARNING LIGHT MODULE THROUGH WHICH LIGHT GENERATED IN THE MODULE PROJECTS**

4,569,002 A 2/1986 English et al.
4,742,432 A 5/1988 Thillays et al.
5,550,716 A 8/1996 Dassanayake et al.
6,067,012 A * 5/2000 Harding 340/472

(Continued)

(75) Inventor: **R. Michael Datz**, Rochester, NY (US)

(73) Assignee: **Star Headlight & Lantern Co., Inc.**, Avon, NY (US)

(**) Term: **14 Years**

(21) Appl. No.: **29/315,413**

(22) Filed: **Jun. 23, 2009**

Related U.S. Application Data

(63) Continuation-in-part of application No. 29/294,883, filed on Jan. 31, 2008, now abandoned.

(51) **LOC (9) Cl.** **26-99**

(52) **U.S. Cl.** **D26/122**

(58) **Field of Classification Search** D26/44,
D26/60, 61, 63, 64, 65, 66, 113, 138, 140,
D26/141, 142, 152, 155, 120, 122; 206/420;
D8/355; 362/371, 2, 5, 7, 10, 11, 14, 16,
362/18, 553, 55, 37, 39, 418, 424, 40, 102,
362/220, 259, 269, 277, 282, 285, 287, 425,
362/427, 429, 430, 404, 294, 235, 304; 16/367,
16/337, 340; 248/278.1; D14/452; D10/114
See application file for complete search history.

(56) **References Cited**

U.S. PATENT DOCUMENTS

3,019,334 A * 1/1962 Lipscomb 362/354
3,541,321 A 11/1970 Spiteri
3,668,381 A 6/1972 Schwartz et al.
4,240,062 A * 12/1980 Gosswiller 340/472

OTHER PUBLICATIONS

Star Warning Systems, Product Sheet for Deckstar, DL25-HLSW, Dual Row LED Light, Dec. 2001.

(Continued)

Primary Examiner—Cathron C Brooks
Assistant Examiner—Kevin K Rudzinski
(74) *Attorney, Agent, or Firm*—Kenneth J. Lukacher; Martin Lukacher

(57) **CLAIM**

The ornamental design for a face for optical element of a warning light module through which light generated in the module projects, as shown and described.

DESCRIPTION

FIG. 1 is a front elevational view of a face for optical element of a warning light module through which light generated in the module projects embodying my invention, the broken lines shown in the drawings are used to show environmental structures and form no part of the claimed design;

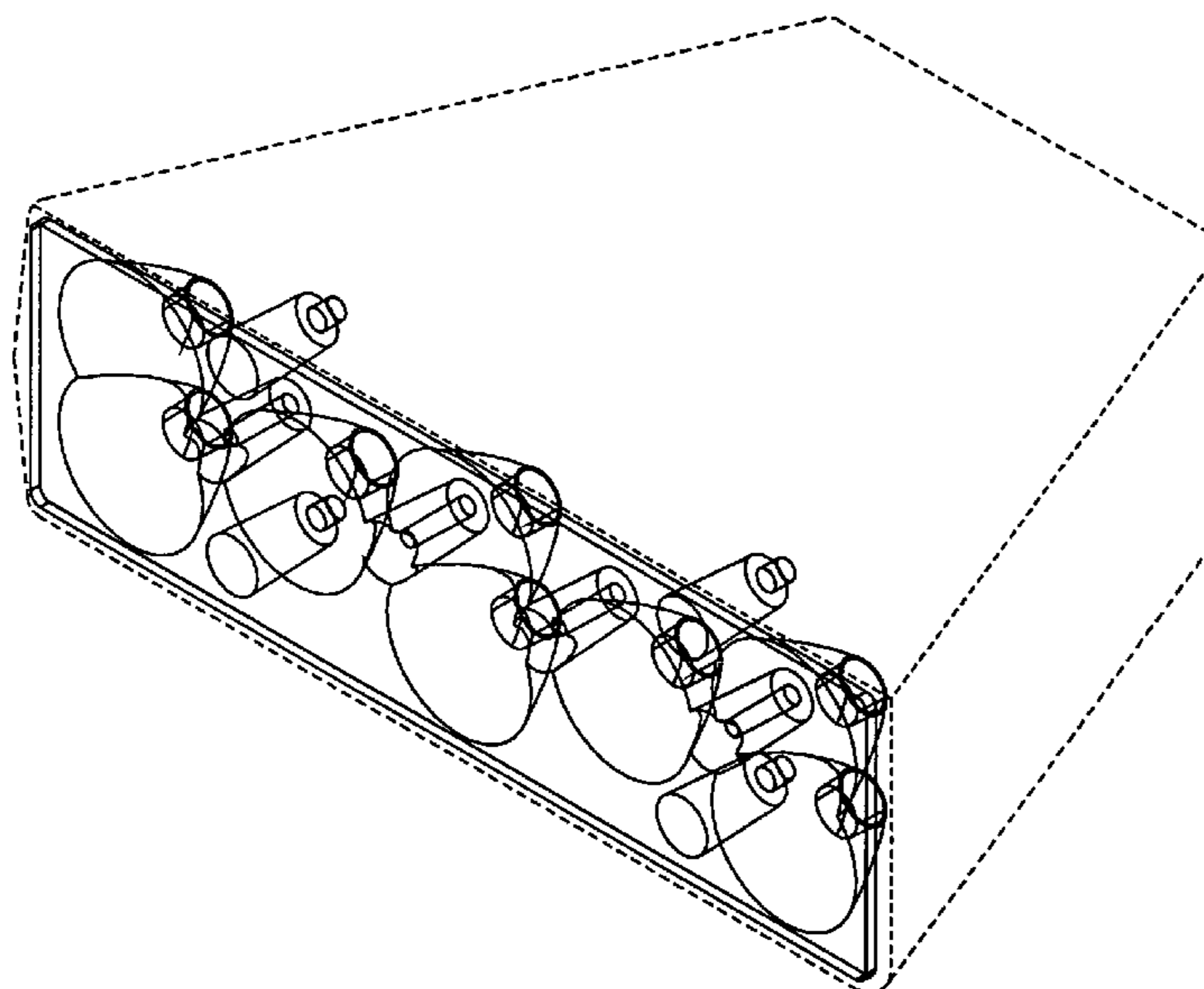
FIG. 2 is a top view thereof;

FIG. 3 is a right side elevational view thereof, the left side elevational view being a mirror image thereof;

FIG. 4 is a perspective view thereof looking downwardly from the front; and,

FIG. 5 is a view similar to FIG. 4 with the environmental structures in greater detail and shown in broken lines.

1 Claim, 5 Drawing Sheets



US D633,648 S

Page 2

U.S. PATENT DOCUMENTS

6,641,282 B2 11/2003 Perlo et al.
6,793,368 B2 9/2004 Ladstatter
D500,384 S 12/2004 Lyons et al.
6,851,835 B2 2/2005 Smith et al.
D531,332 S * 10/2006 Duvall et al. D26/28
7,131,758 B2 11/2006 Ishida
7,258,466 B2 * 8/2007 Watanabe et al. 362/294
7,434,959 B1 * 10/2008 Wang 362/249.01
2002/0172046 A1 * 11/2002 Perlo et al. 362/304
2004/0008516 A1 * 1/2004 Amano 362/300

2008/0002413 A1* 1/2008 Wang et al. 362/341

OTHER PUBLICATIONS

Wingman, Code 3 Catalog, pp. 18-19, download from www.code3pse.com on Jan. 31, 2008.
XF2300, Code 3 Catalog, pp. 4-5, download from www.code3pse.com on Jan. 31, 2008.
LED X Exterior, LC-LED, Code 3 Catalog, p. 25, download from www.code3pse.com on Jan. 31, 2008.
Prizm LED Reflector, Code3 Catalog, p. 24, download from www.code3pse.com on Jan. 31, 2008.

* cited by examiner

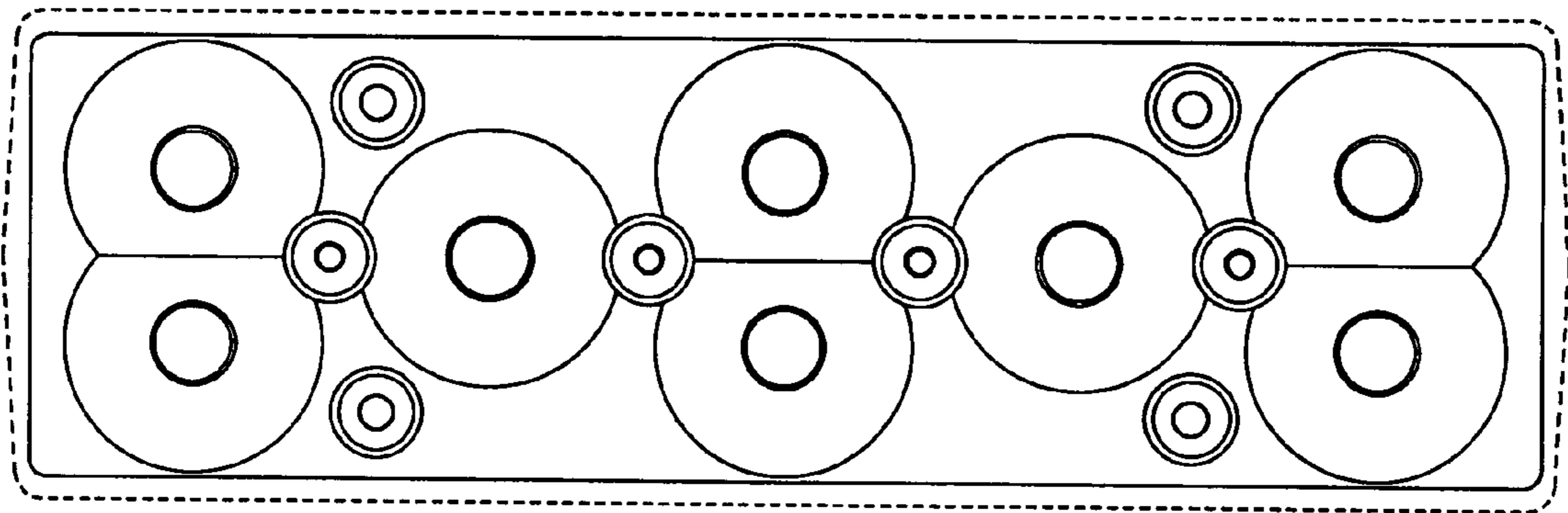


FIG. 1

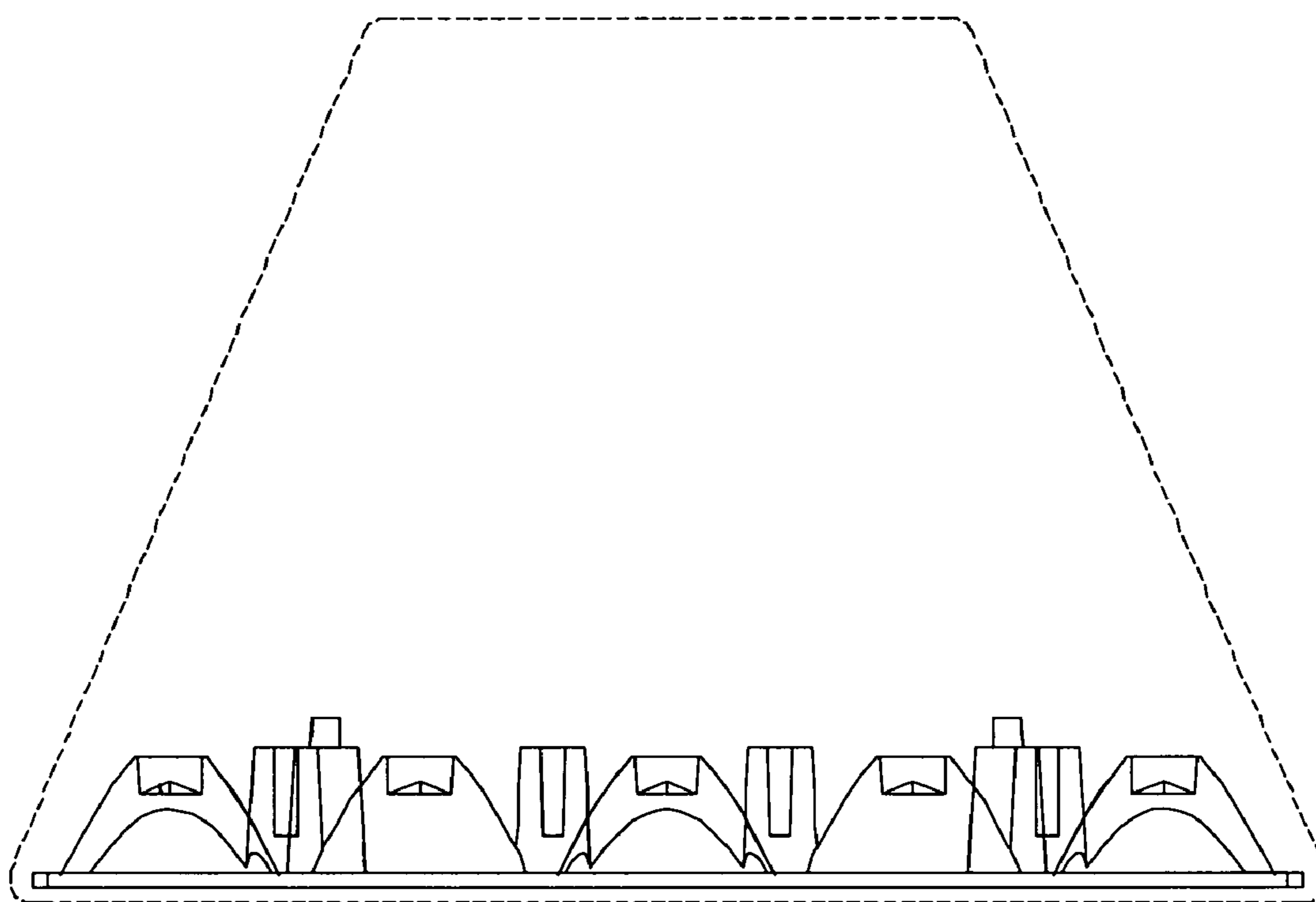


FIG. 2

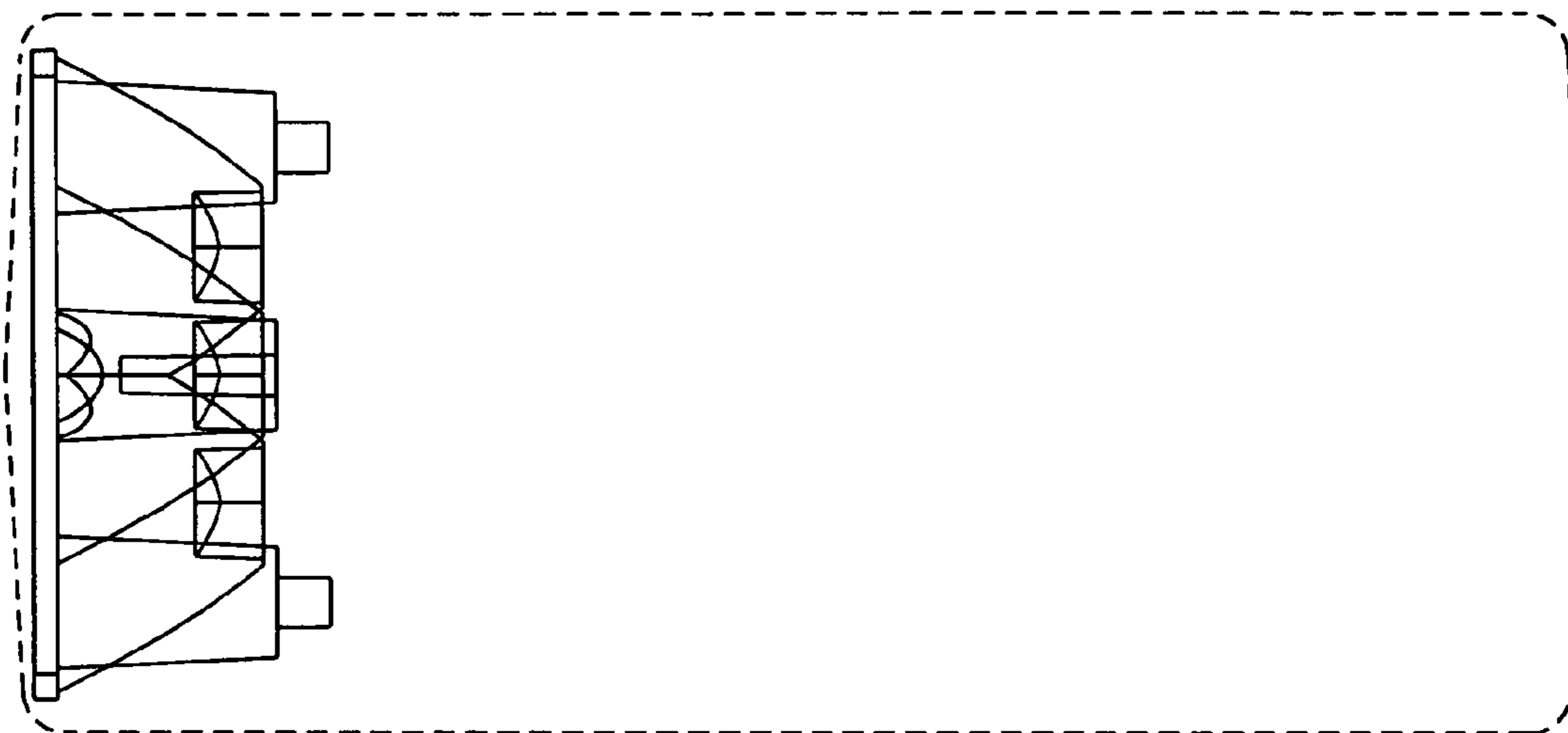


FIG. 3

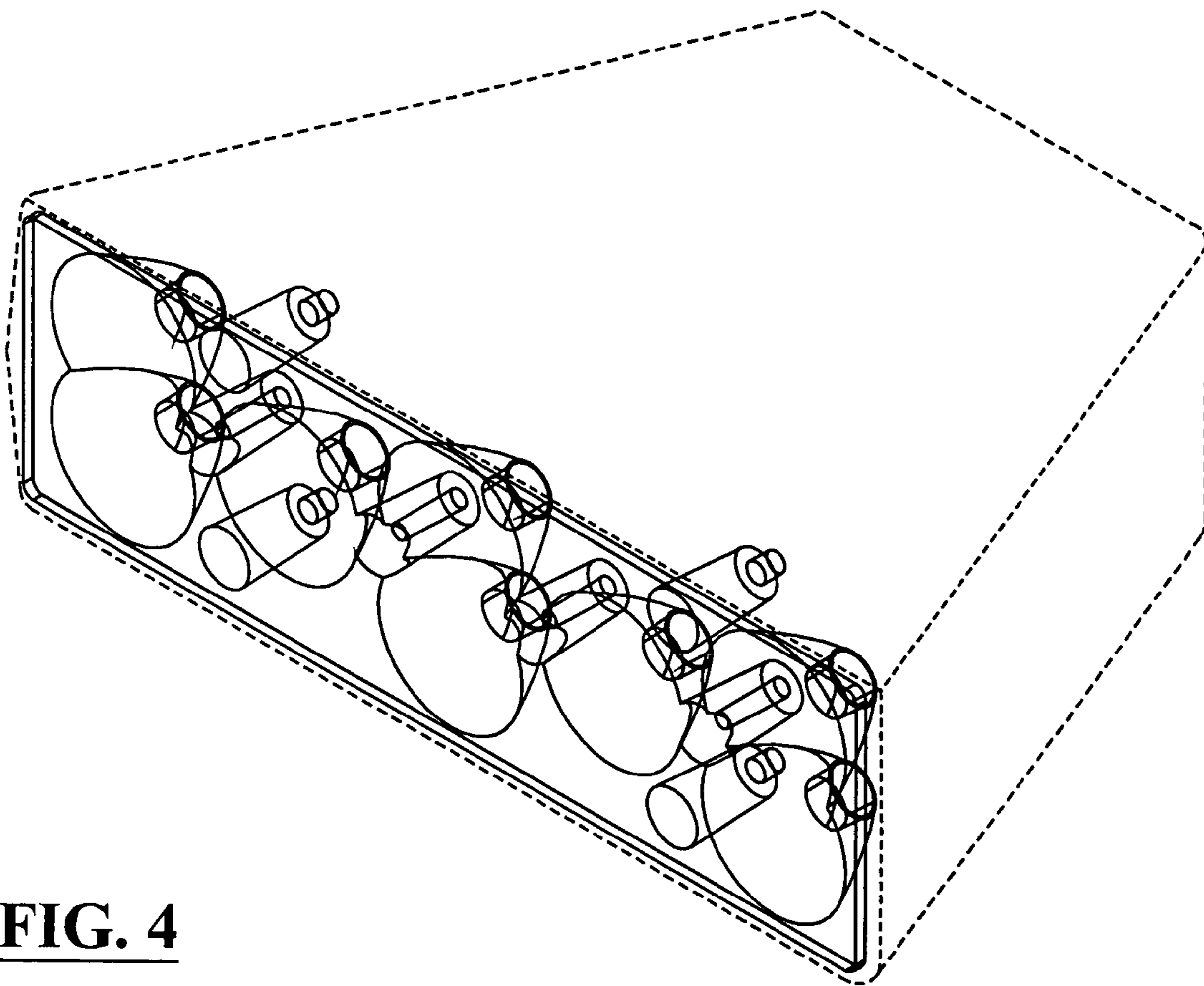


FIG. 4

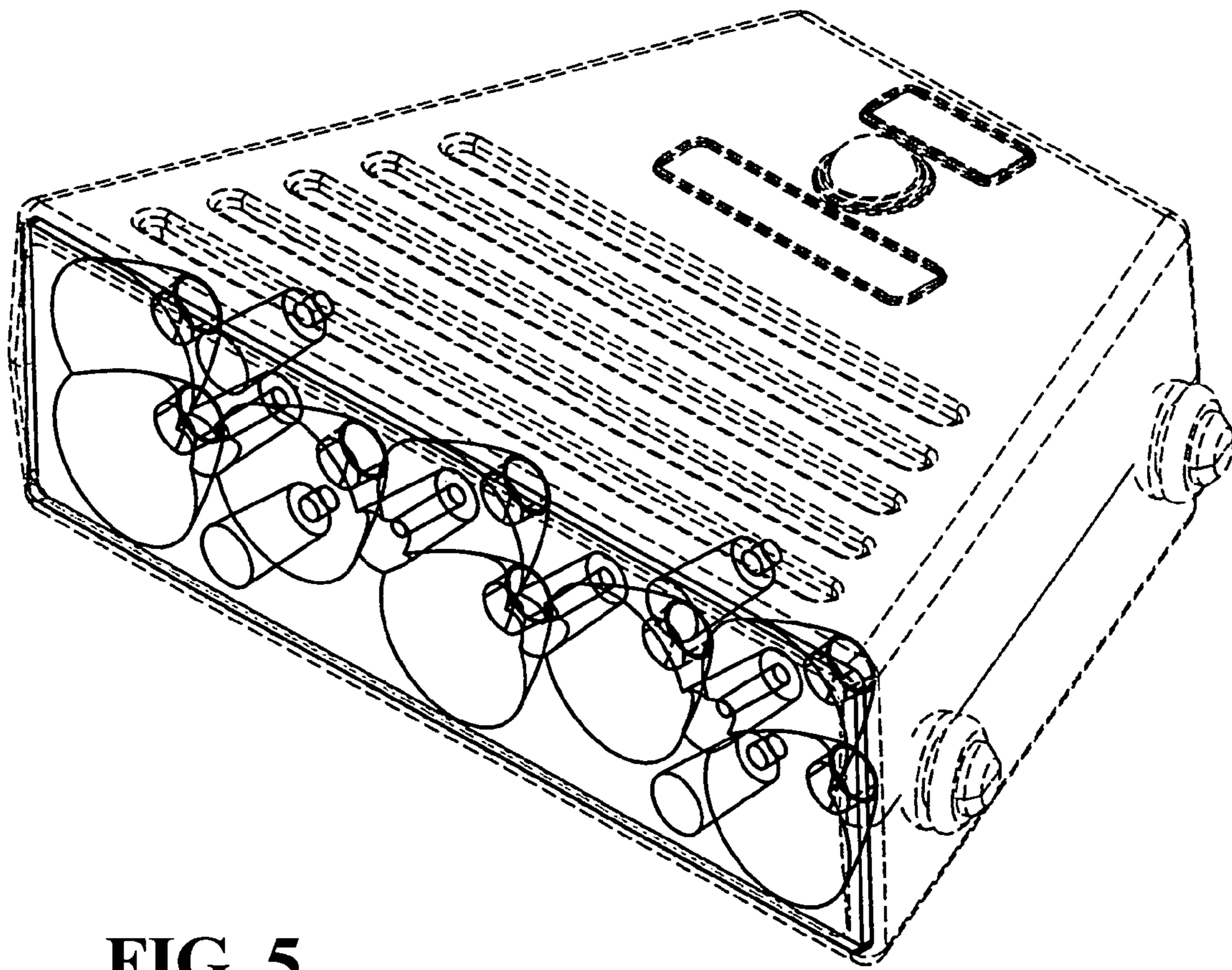


FIG. 5