



US00D633643S

(12) **United States Design Patent**  
**De Lucchi**

(10) **Patent No.:** **US D633,643 S**

(45) **Date of Patent:** **\*\* Mar. 1, 2011**

(54) **HANGING LAMP**

(75) Inventor: **Michele De Lucchi**, Milan (IT)

(73) Assignee: **Artemide S.p.A.**, Milan (IT)

(\*\*) Term: **14 Years**

(21) Appl. No.: **29/345,234**

(22) Filed: **Oct. 13, 2009**

(30) **Foreign Application Priority Data**

Apr. 10, 2009 (EM) ..... 001120646

(51) **LOC (9) Cl.** ..... **26-03**

(52) **U.S. Cl.** ..... **D26/88**

(58) **Field of Classification Search** ..... D26/84-92,  
D26/120, 128; 362/147, 404-408, 431, 432

See application file for complete search history.

(56) **References Cited**

**U.S. PATENT DOCUMENTS**

1,868,692	A	*	7/1932	Bruckmann	.....	362/357
D105,953	S	*	9/1937	Hohl	.....	D26/86
D124,018	S	*	12/1940	Davis	.....	D26/86
D162,173	S	*	2/1951	Julien et al.	.....	D26/86
D163,119	S	*	5/1951	Julien et al.	.....	D26/86
D170,841	S	*	11/1953	Vogon	.....	D26/102
D240,852	S	*	8/1976	Jacobsen	.....	D26/86

D298,661	S	*	11/1988	Gismondi	.....	D26/86
D337,170	S	*	7/1993	Miranda	.....	D26/86
D434,172	S	*	11/2000	Bernd	.....	D26/88
D445,529	S	*	7/2001	Orozco	.....	D26/86
D514,731	S	*	2/2006	Engel	.....	D26/88
D620,630	S	*	7/2010	Sabernig	.....	D26/86

**OTHER PUBLICATIONS**

“Giona” Suspension Lamp. Found on internet Nov. 2, 2010.\*

\* cited by examiner

*Primary Examiner*—Clare E Heflin

(74) *Attorney, Agent, or Firm*—Ladas & Parry LLP

(57) **CLAIM**

I claim the ornamental design for a hanging lamp, as shown.

**DESCRIPTION**

FIG. 1 is a left side view of a hanging lamp of my new design;

FIG. 2 is a rear view thereof;

FIG. 3 is a right side view thereof;

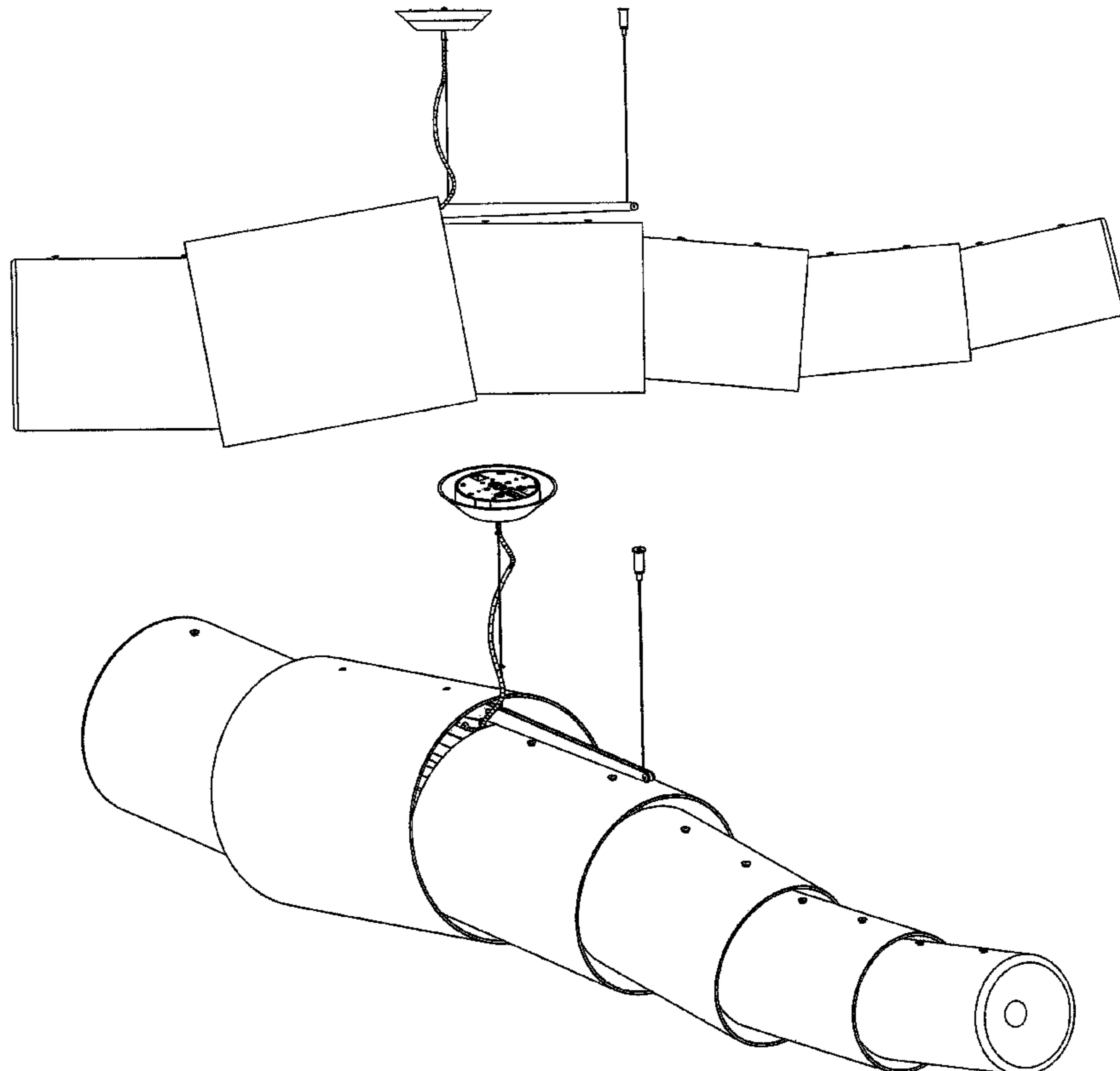
FIG. 4 is a front view thereof;

FIG. 5 is a top view thereof;

FIG. 6 is a bottom view thereof; and,

FIG. 7 is a perspective view thereof.

**1 Claim, 7 Drawing Sheets**



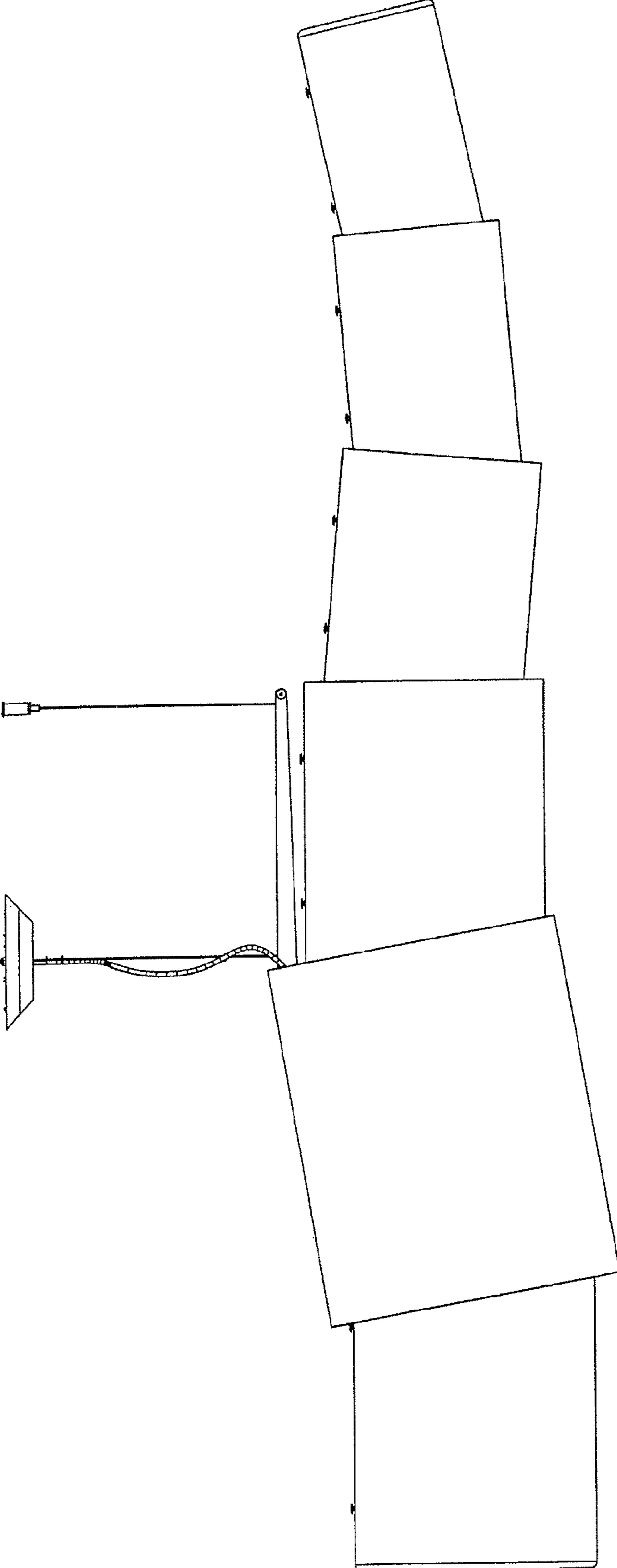
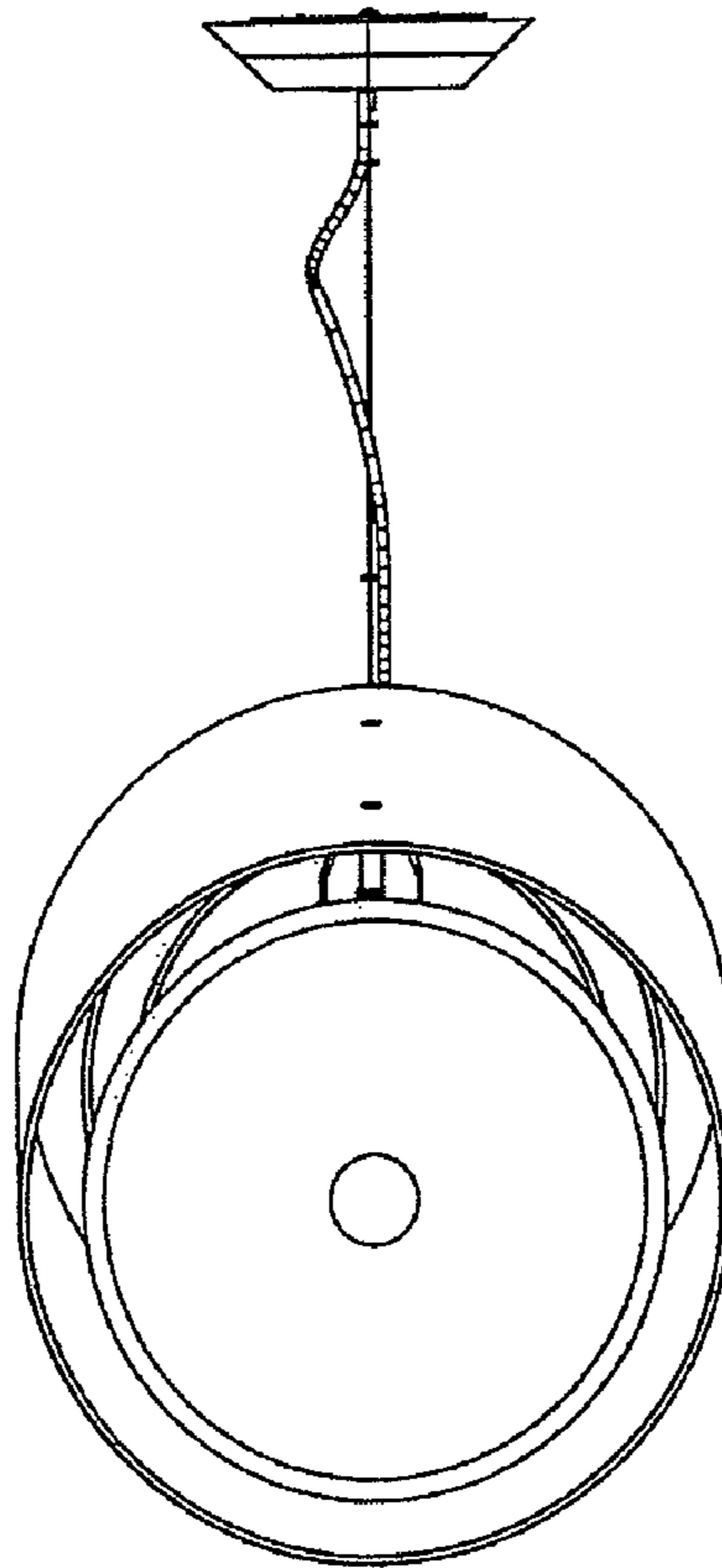


FIG. 1

FIG. 2



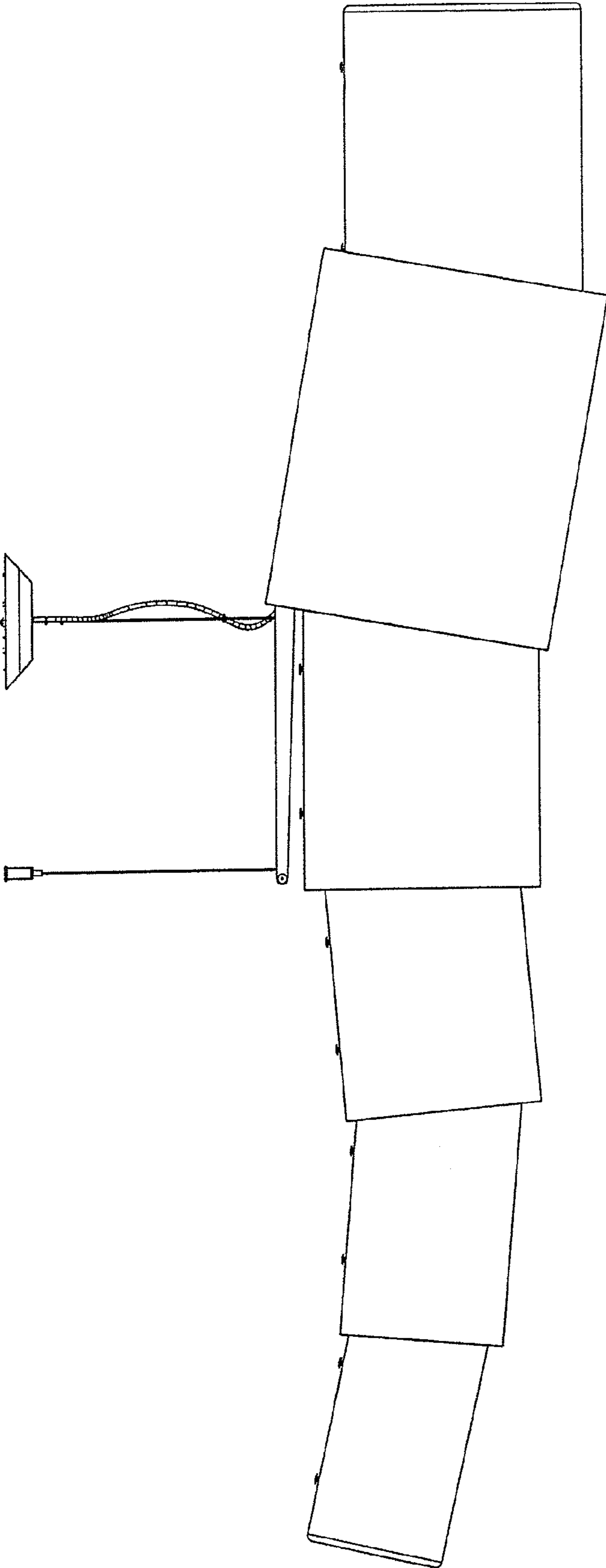
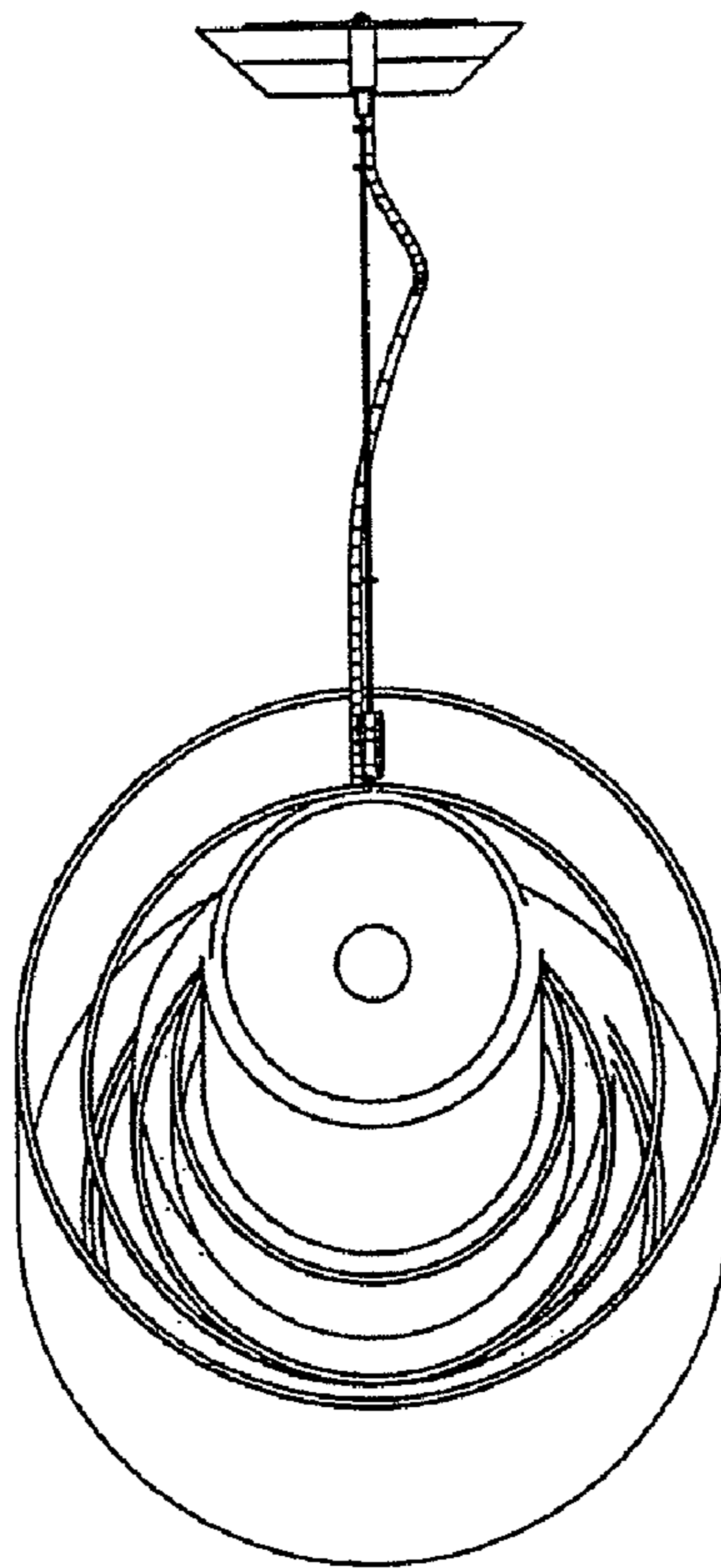


FIG. 3

FIG.4



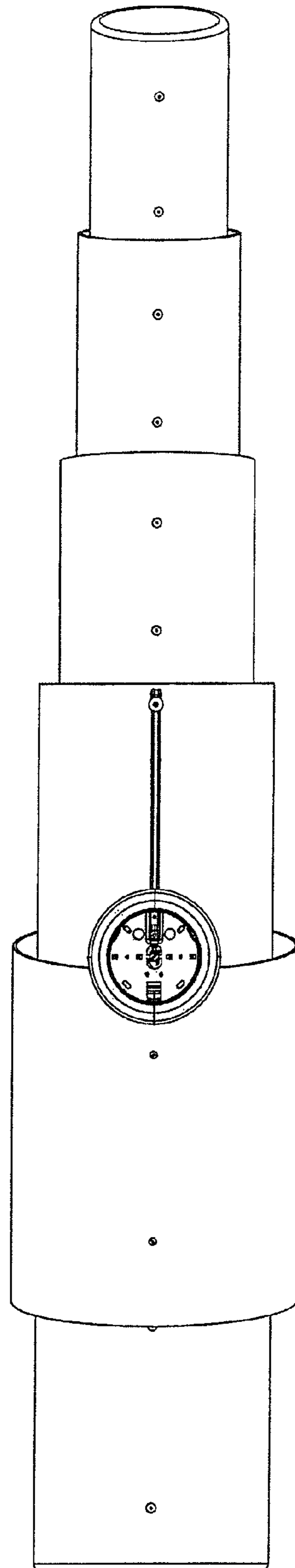
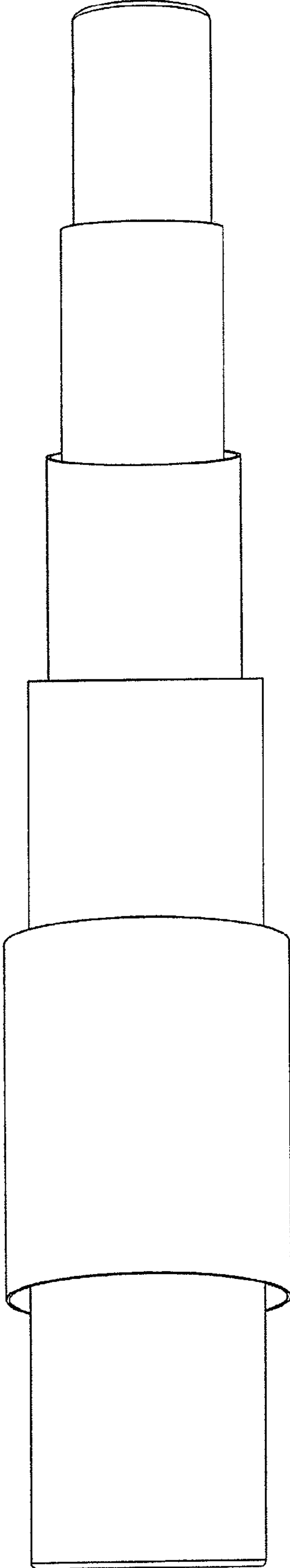


FIG. 5

FIG. 6



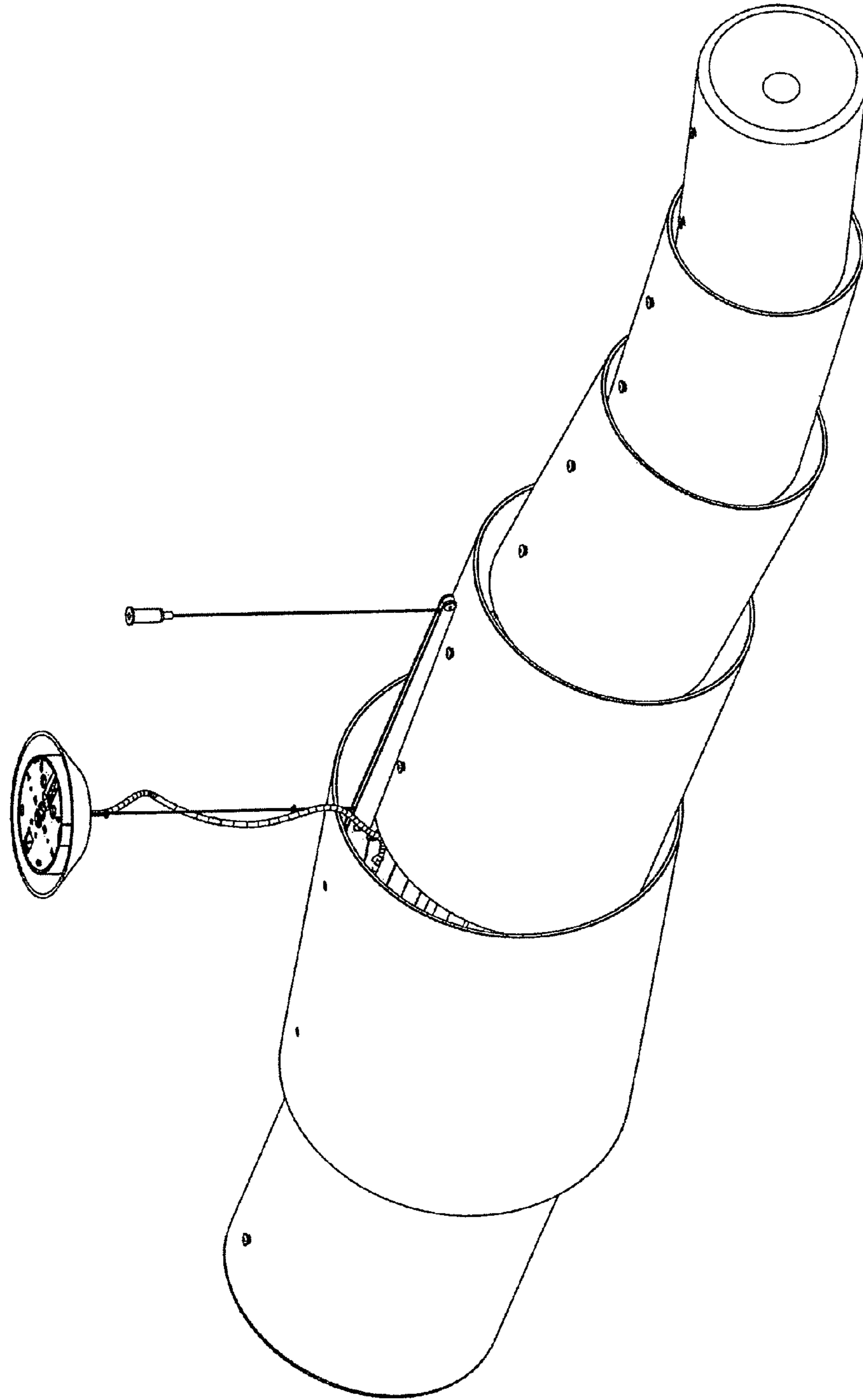


FIG. 7