



US00D633642S

(12) **United States Design Patent**
Wauters

(10) **Patent No.:** **US D633,642 S**
(45) **Date of Patent:** **** Mar. 1, 2011**

- (54) **LUMINAIRE**
- (75) Inventor: **Tom Wauters**, Mortsel (BE)
- (73) Assignee: **Koninklijke Philips Electronics N.V.**,
Eindhoven (NL)
- (**) Term: **14 Years**
- (21) Appl. No.: **29/363,295**
- (22) Filed: **Jun. 8, 2010**
- (30) **Foreign Application Priority Data**
Dec. 8, 2009 (EM) 001644667-0006
- (51) **LOC (9) Cl.** **26-03**
- (52) **U.S. Cl.** **D26/85**; D26/76
- (58) **Field of Classification Search** D26/24,
D26/67, 72, 74, 76, 85, 88, 89; 362/147,
362/294.02, 373, 453, 454, 404-408, 432
See application file for complete search history.

- (56) **References Cited**
U.S. PATENT DOCUMENTS
D131,532 S * 3/1942 Naysmith D26/76
D132,869 S * 6/1942 Winkler et al. D26/76
D136,797 S * 12/1943 Moreck D26/76

- 2,474,308 A * 6/1949 Franck et al. 362/224
- D380,058 S * 6/1997 Kane et al. D26/27
- 6,299,326 B1 * 10/2001 Andrus et al. 362/373
- 6,361,186 B1 * 3/2002 Slayden 362/241
- D521,675 S * 5/2006 Chen D26/76
- D581,079 S * 11/2008 Mier-Langner D26/72
- D605,343 S * 12/2009 Watt D26/118
- 7,758,207 B1 * 7/2010 Zhou et al. 362/218
- 2006/0146531 A1 * 7/2006 Reo et al. 362/244
- 2009/0185379 A1 * 7/2009 Chen 362/294

* cited by examiner

Primary Examiner—Clare E Heflin

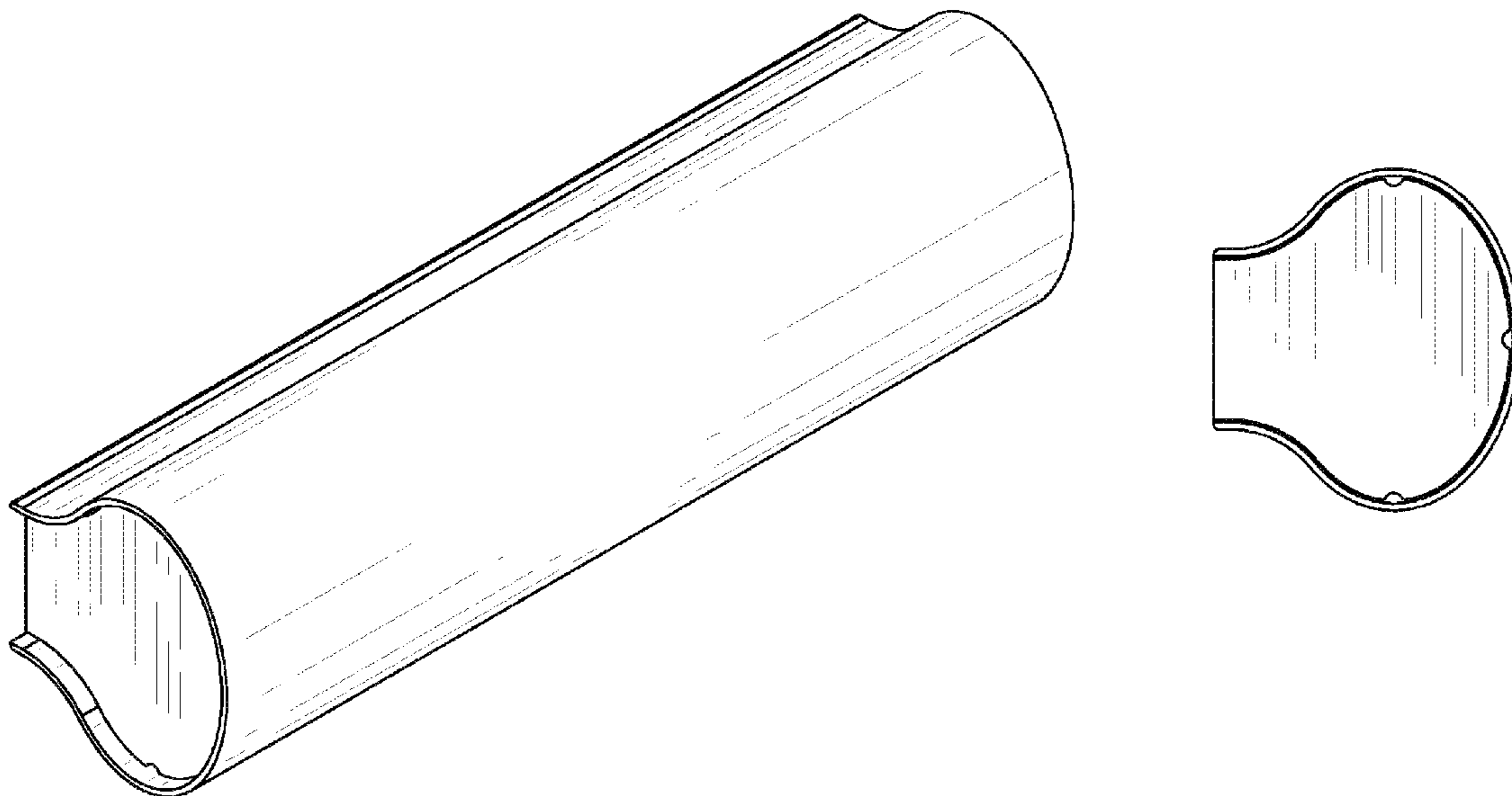
(57) **CLAIM**

The ornamental design for a luminaire, as shown.

DESCRIPTION

FIG. 1 is a perspective view showing my design;
FIG. 2 is a front elevational view thereof;
FIG. 3 is a rear elevational view thereof;
FIG. 4 is a right side elevational view thereof;
FIG. 5 is a left side elevational view thereof;
FIG. 6 is a top plan view thereof; and,
FIG. 7 is a bottom plan view thereof.

1 Claim, 3 Drawing Sheets



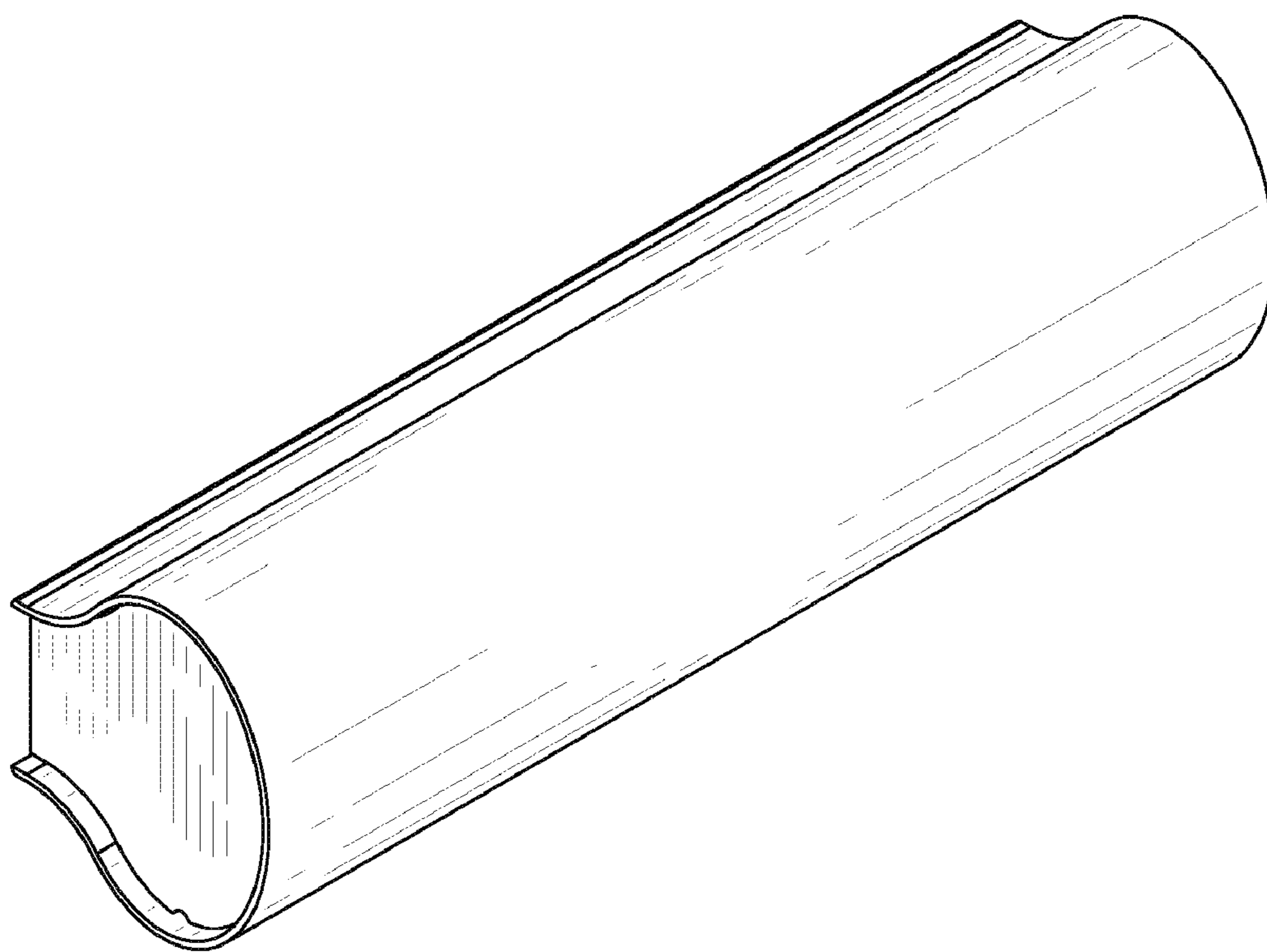


FIG. 1

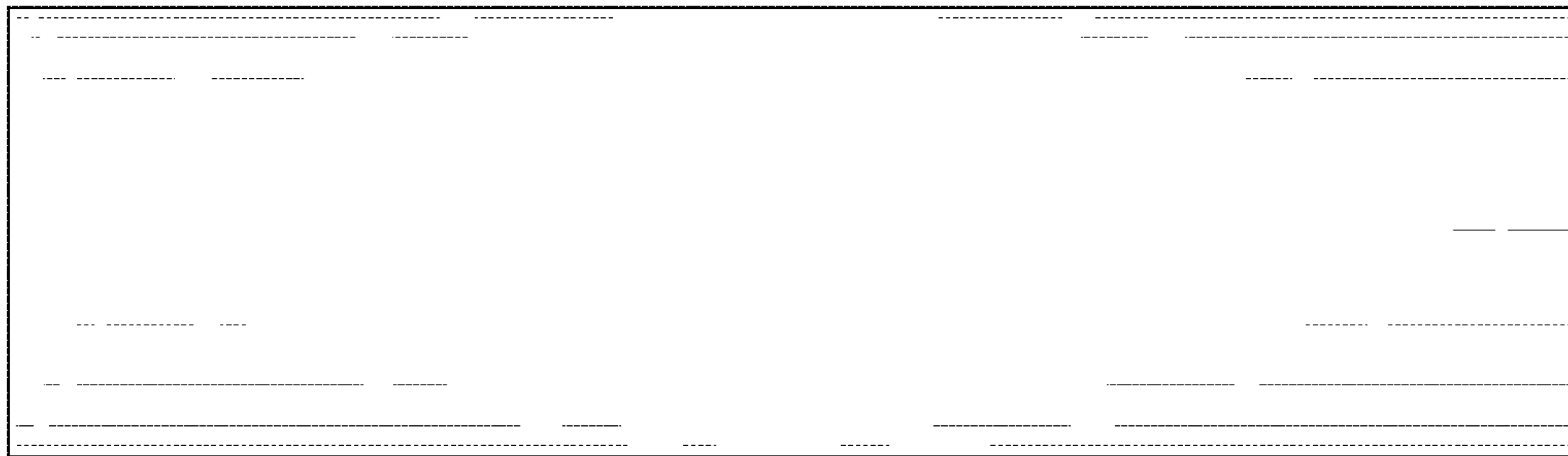


FIG. 2

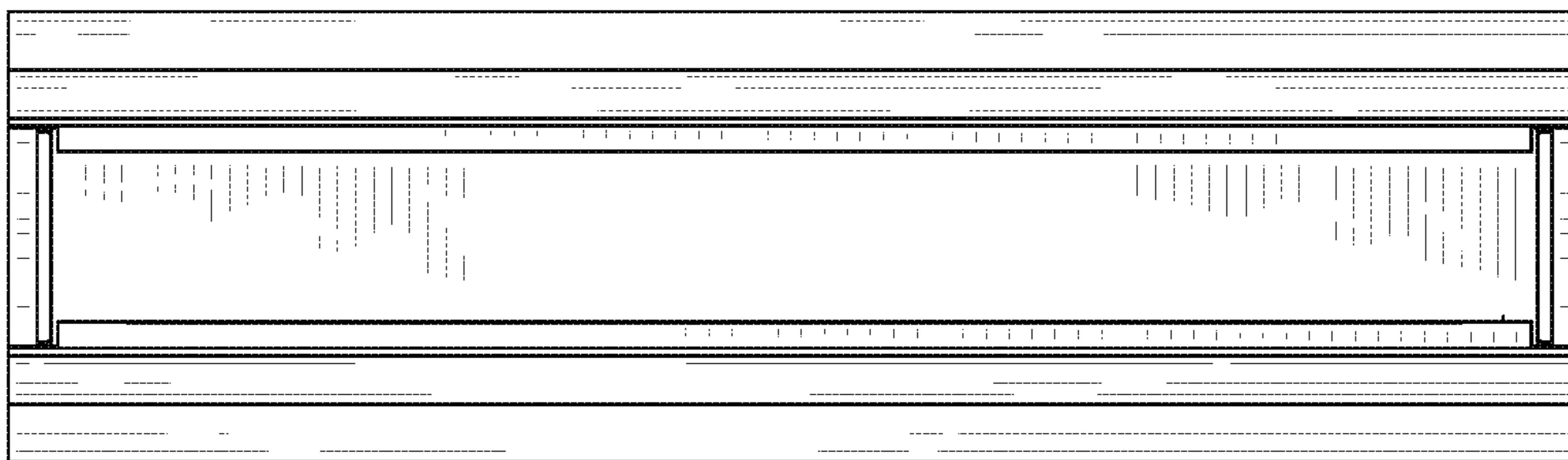


FIG. 3

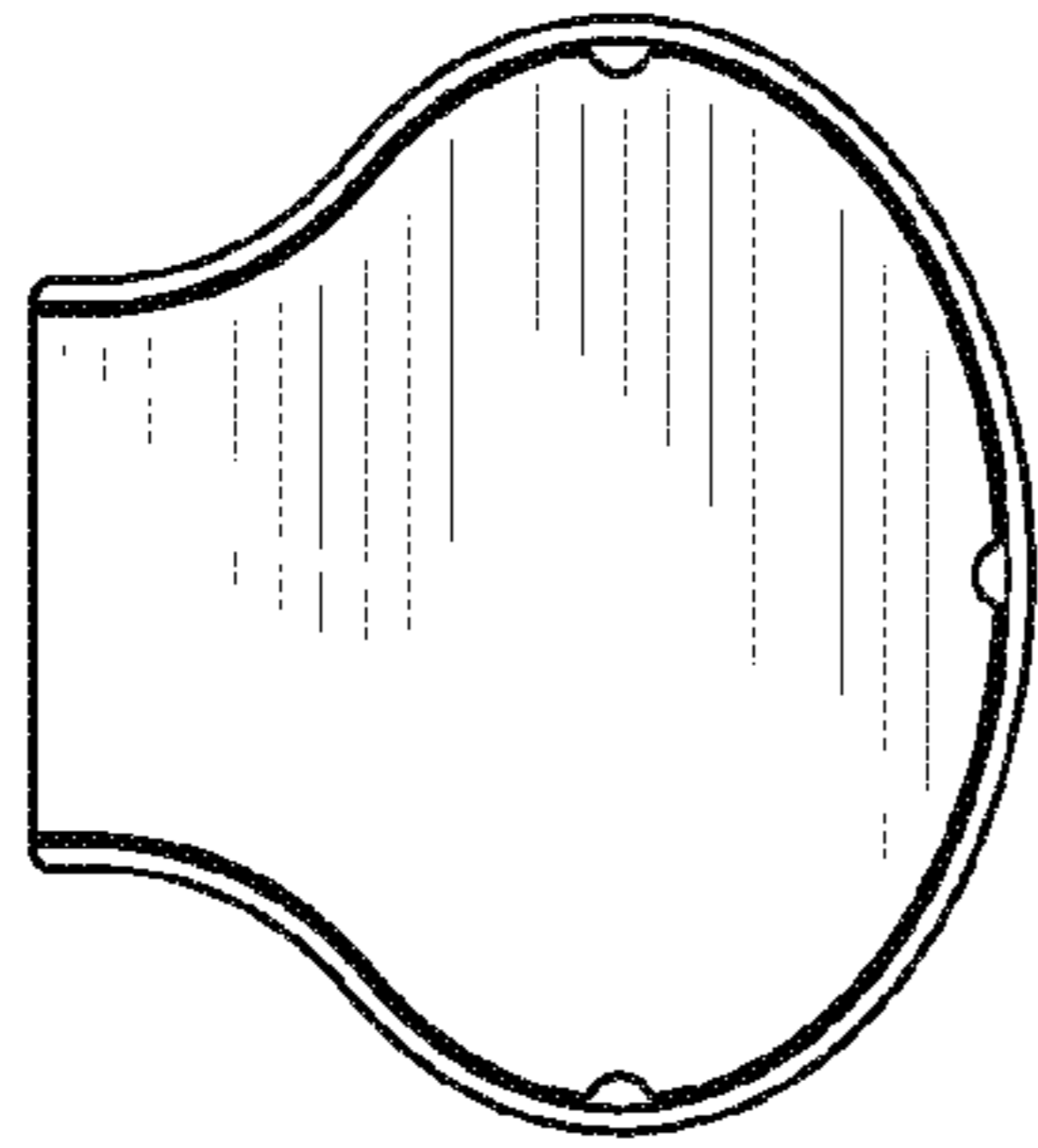


FIG. 4

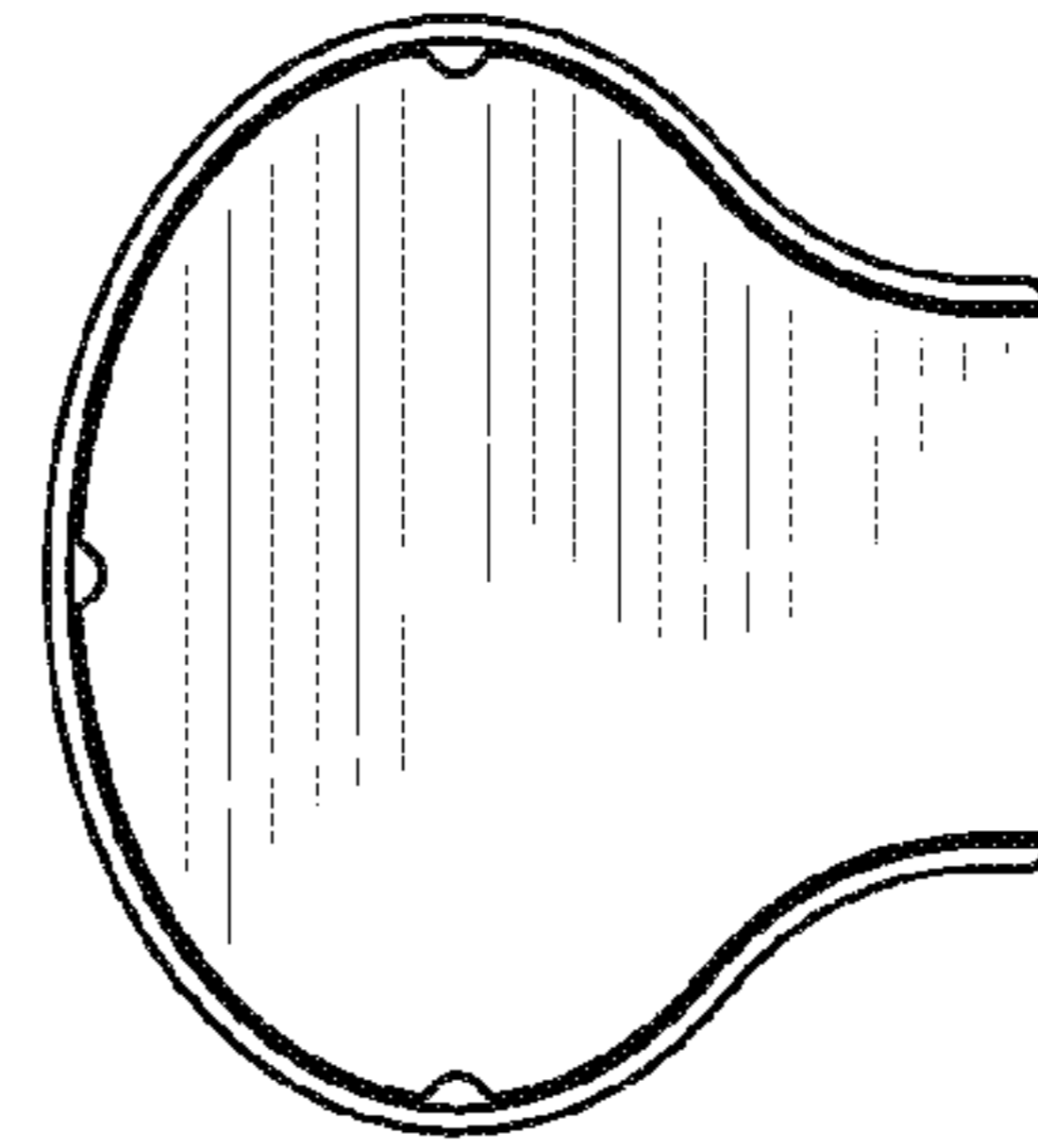


FIG. 5

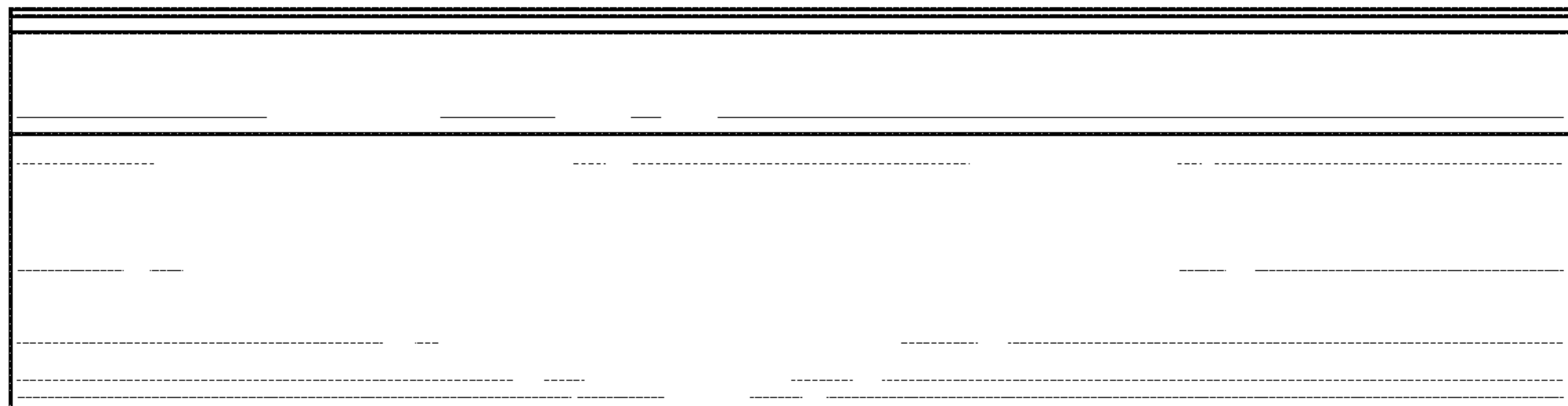


FIG. 6

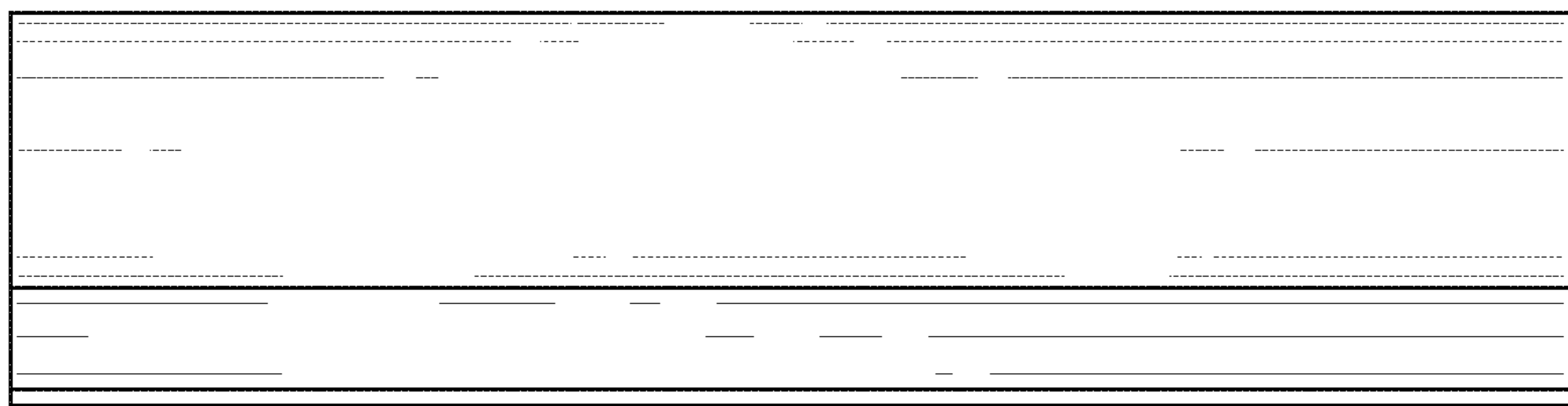


FIG. 7