



US00D633640S

(12) **United States Design Patent**  
**Wauters**

(10) **Patent No.:** **US D633,640 S**  
(45) **Date of Patent:** **\*\* Mar. 1, 2011**

(54) **LUMINAIRE**

(75) Inventor: **Tom Wauters**, Mortsel (BE)

(73) Assignee: **Koninklijke Philips Electronics N.V.**,  
Eindhoven (NL)

(\*\*) Term: **14 Years**

(21) Appl. No.: **29/363,291**

(22) Filed: **Jun. 8, 2010**

(30) **Foreign Application Priority Data**

Dec. 8, 2009 (EM) ..... 001644667-0001

(51) **LOC (9) Cl.** ..... **26-03**

(52) **U.S. Cl.** ..... **D26/85; D26/76**

(58) **Field of Classification Search** ..... D26/24,  
D26/67, 72, 74, 76, 85, 88, 89; 362/147,  
362/294.02, 373, 453, 454, 404-408, 432  
See application file for complete search history.

(56) **References Cited**

**U.S. PATENT DOCUMENTS**

D187,337 S \* 3/1960 Arnold ..... D26/76  
D188,621 S \* 8/1960 Stahlhut et al. .... D26/76  
D191,679 S \* 10/1961 Wakefield ..... D26/76

D191,880 S \* 12/1961 Henning ..... D26/76  
D193,022 S \* 6/1962 Zurawski ..... D26/76  
D195,529 S \* 6/1963 Florence ..... D26/76  
D521,675 S \* 5/2006 Chen ..... D26/76  
D595,447 S \* 6/2009 Purcell ..... D26/85  
D606,229 S \* 12/2009 Johansen et al. .... D26/80  
D610,735 S \* 2/2010 Chien ..... D26/76  
7,686,470 B2 \* 3/2010 Chiang ..... 362/147  
2006/0146531 A1 \* 7/2006 Reo et al. .... 362/244  
2010/0157610 A1 \* 6/2010 Xiao et al. .... 362/370

\* cited by examiner

*Primary Examiner*—Clare E Heflin

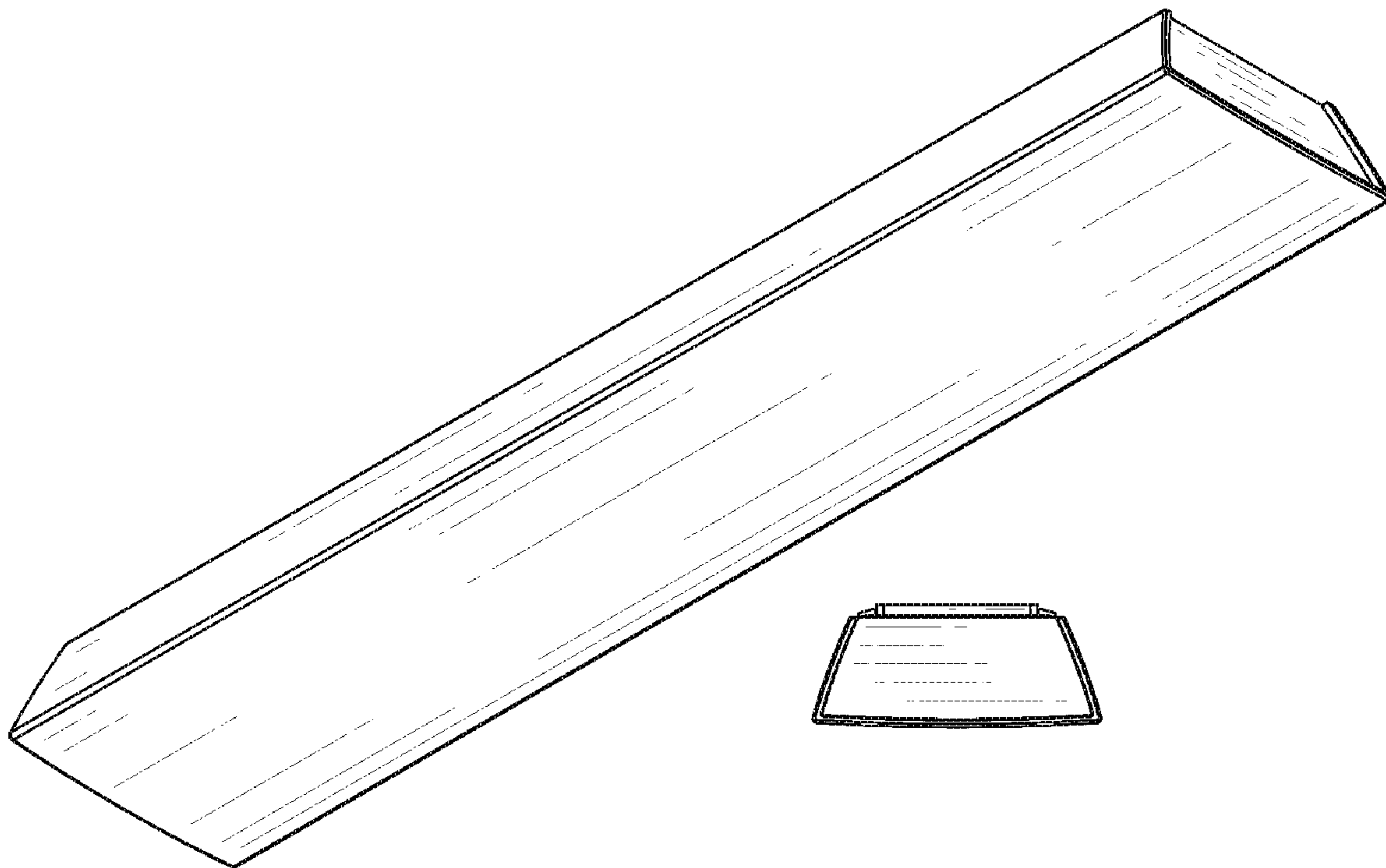
(57) **CLAIM**

The ornamental design for a luminaire, as shown.

**DESCRIPTION**

FIG. 1 is a perspective view showing my design;  
FIG. 2 is a front elevational view thereof;  
FIG. 3 is a rear elevational view thereof;  
FIG. 4 is a right side elevational view thereof;  
FIG. 5 is a left side elevational view thereof;  
FIG. 6 is a top plan view thereof; and,  
FIG. 7 is a bottom plan view thereof.

**1 Claim, 3 Drawing Sheets**



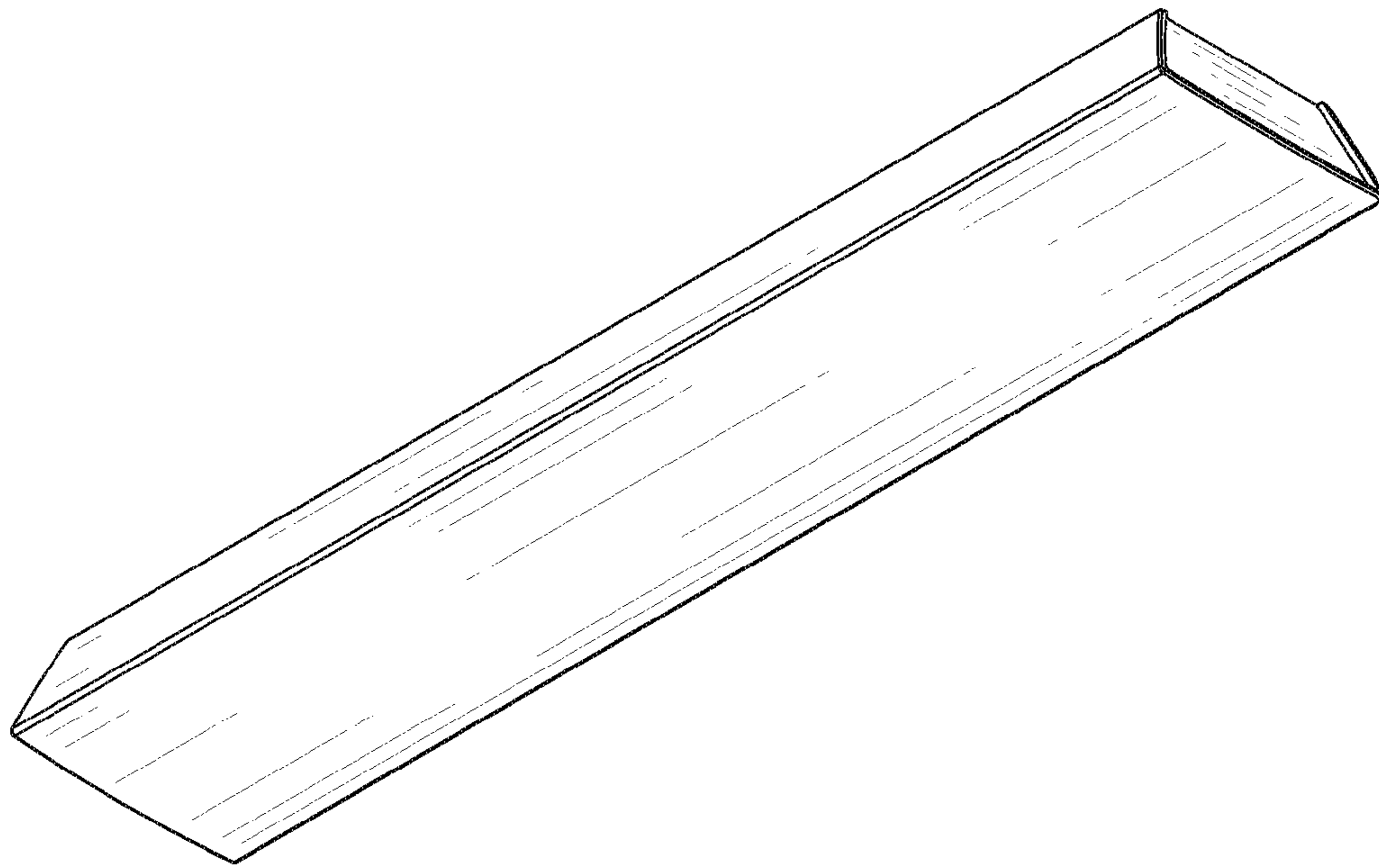


FIG. 1

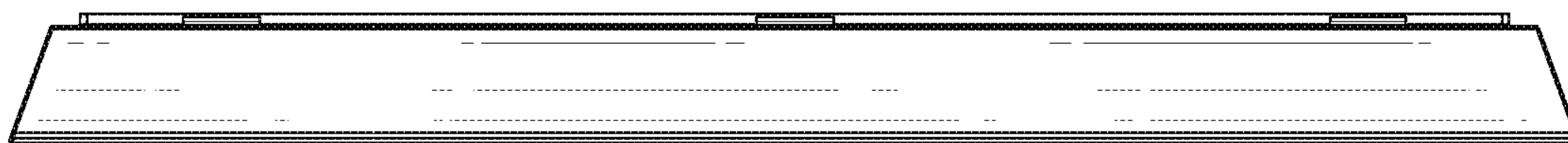


FIG. 2

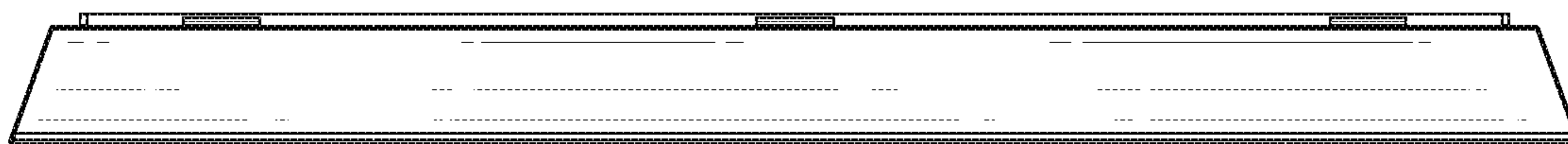


FIG. 3

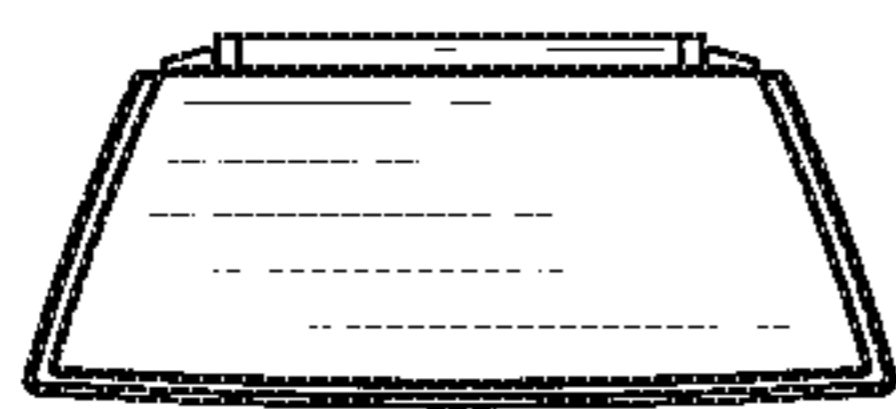


FIG. 4

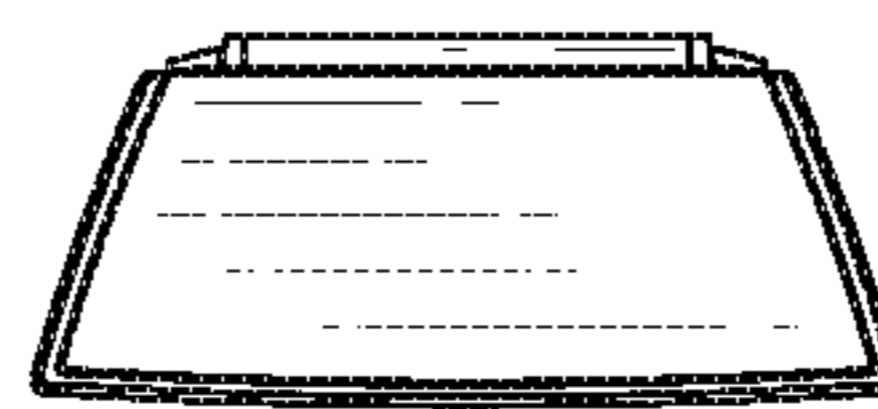


FIG. 5

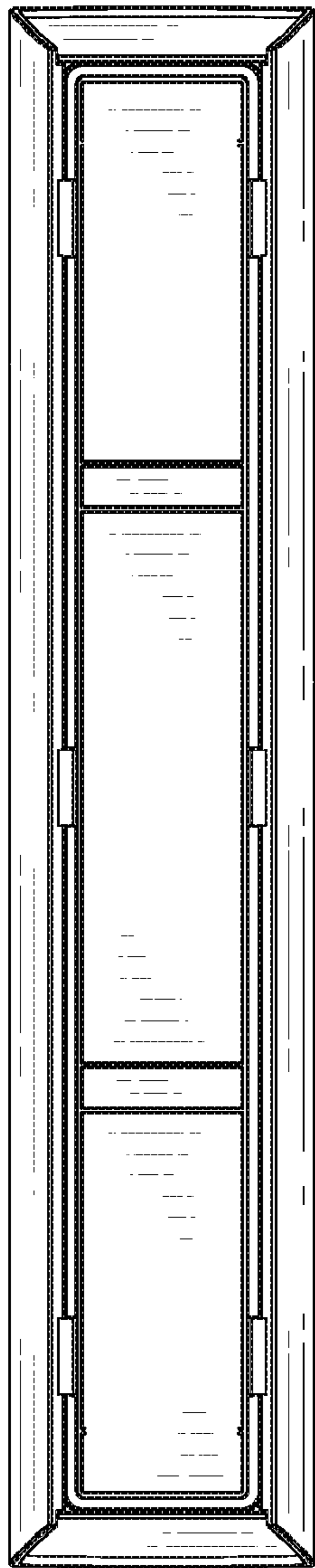


FIG. 6

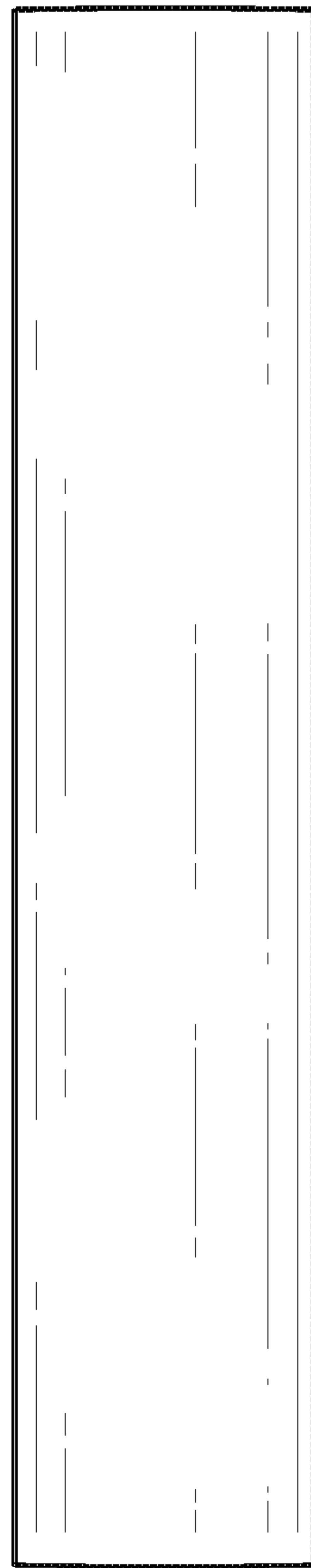


FIG. 7