



US00D633637S

(12) **United States Design Patent**
Urquiola

(10) **Patent No.:** **US D633,637 S**
(45) **Date of Patent:** **** Mar. 1, 2011**

(54) **LIGHTING DEVICE**

(75) Inventor: **Patricia Urquiola**, Brescia (IT)

(73) Assignee: **FLOS S.p.A.**, Bovezzo, Brescia (IT)

(**) Term: **14 Years**

(21) Appl. No.: **29/344,668**

(22) Filed: **Oct. 2, 2009**

(30) **Foreign Application Priority Data**

Apr. 6, 2009 (IT) BS2009O0019

(51) **LOC (9) Cl.** **26-03**

(52) **U.S. Cl.** **D26/85**

(58) **Field of Classification Search** D26/84-92,
D26/120, 128-130; 362/147, 404-408, 431,
362/432

See application file for complete search history.

(56) **References Cited**

U.S. PATENT DOCUMENTS

- D69,971 S * 4/1926 Schlepp D26/88
- D78,996 S * 7/1929 Zweig D26/129
- D79,246 S * 8/1929 Rosenblatt D26/87
- D79,364 S * 9/1929 Hellvik D26/90
- D80,534 S * 2/1930 Kramer D26/90
- D80,794 S * 3/1930 Kramer D26/90
- D84,373 S * 6/1931 Rosenblatt D26/91

- 1,868,692 A * 7/1932 Bruckmann 362/357
- D237,000 S * 9/1975 Tongson D26/129
- D240,156 S * 6/1976 von Serda D26/128
- D246,268 S * 11/1977 Baker D26/129
- D304,863 S * 11/1989 Ohai D26/85
- D498,017 S * 11/2004 Elliott D26/88
- D574,545 S * 8/2008 Baldele D26/88
- D596,779 S * 7/2009 Silver D26/88
- D622,437 S * 8/2010 Crosby D26/88

* cited by examiner

Primary Examiner—Clare E Heflin

(74) *Attorney, Agent, or Firm*—Kilyk & Bowersox, P.L.L.C.

(57) **CLAIM**

The ornamental design for a lighting device, as shown and described.

DESCRIPTION

FIG. 1 is a front view of a lighting device, showing my new design;

FIG. 2 is the right side view thereof;

FIG. 3 is the rear view thereof;

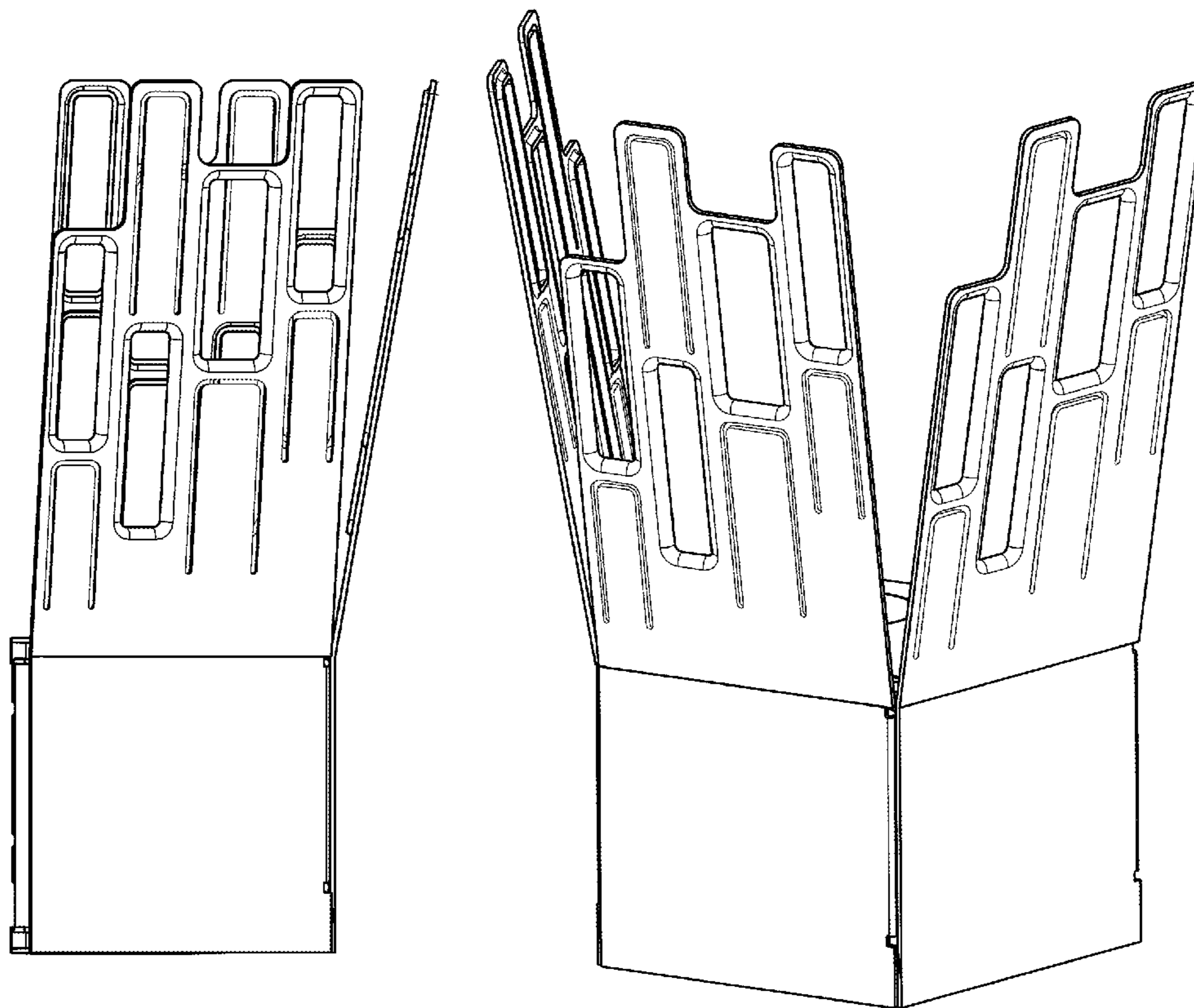
FIG. 4 is the top view thereof;

FIG. 5 is the bottom view thereof;

FIG. 6 is the front perspective view thereof; and,

FIG. 7 is the left side view thereof.

1 Claim, 7 Drawing Sheets



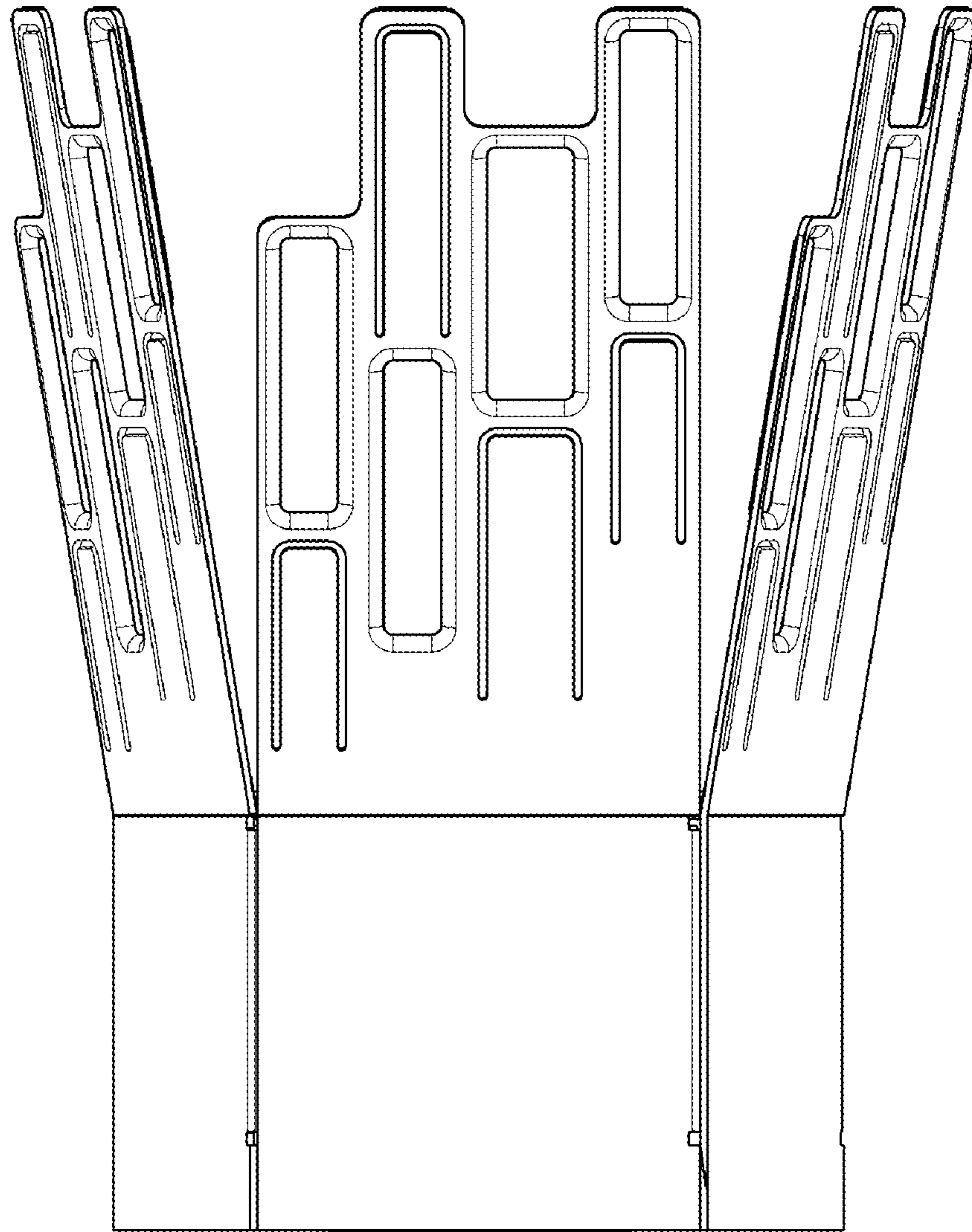


FIG. 1

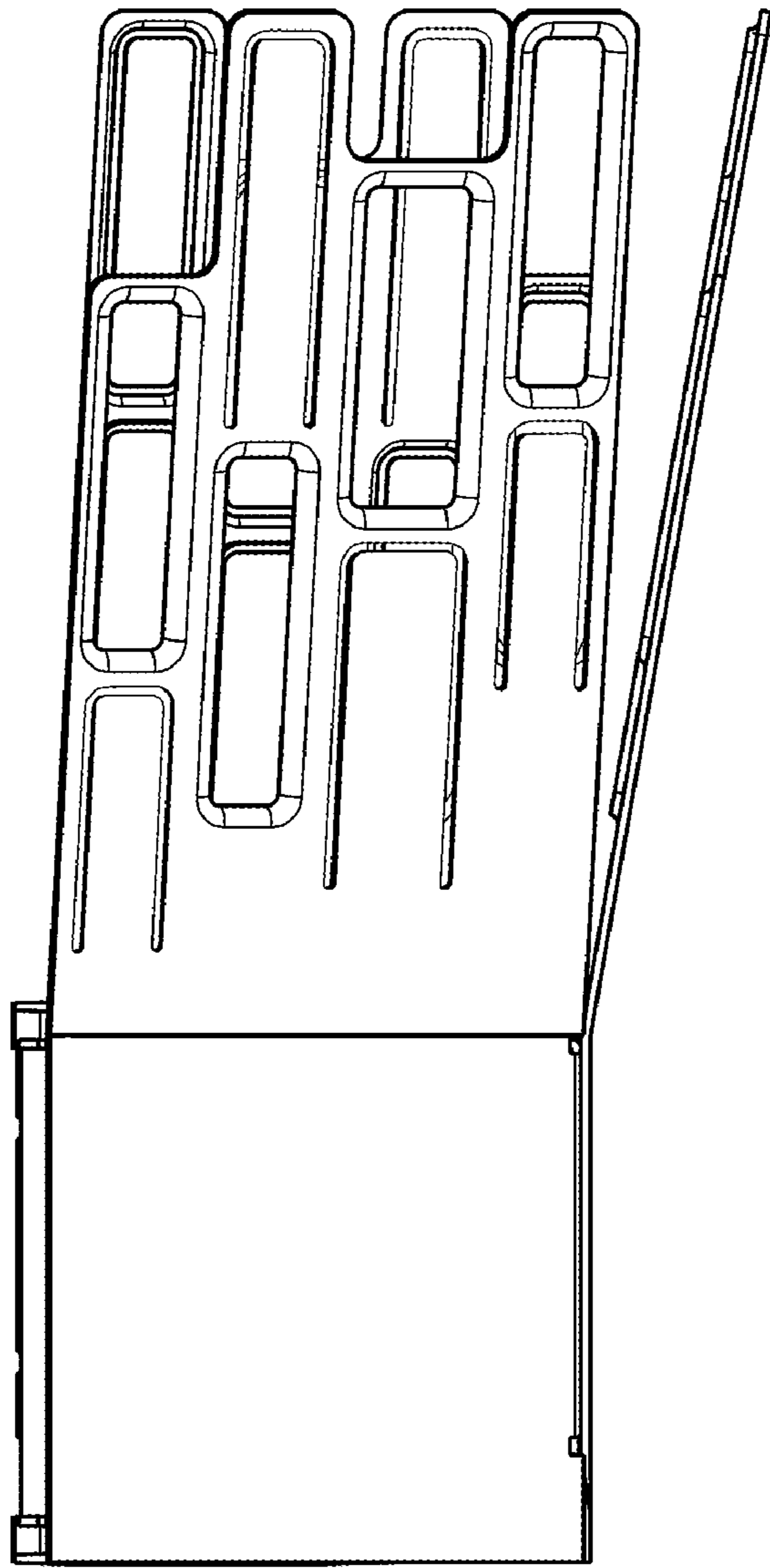


FIG. 2

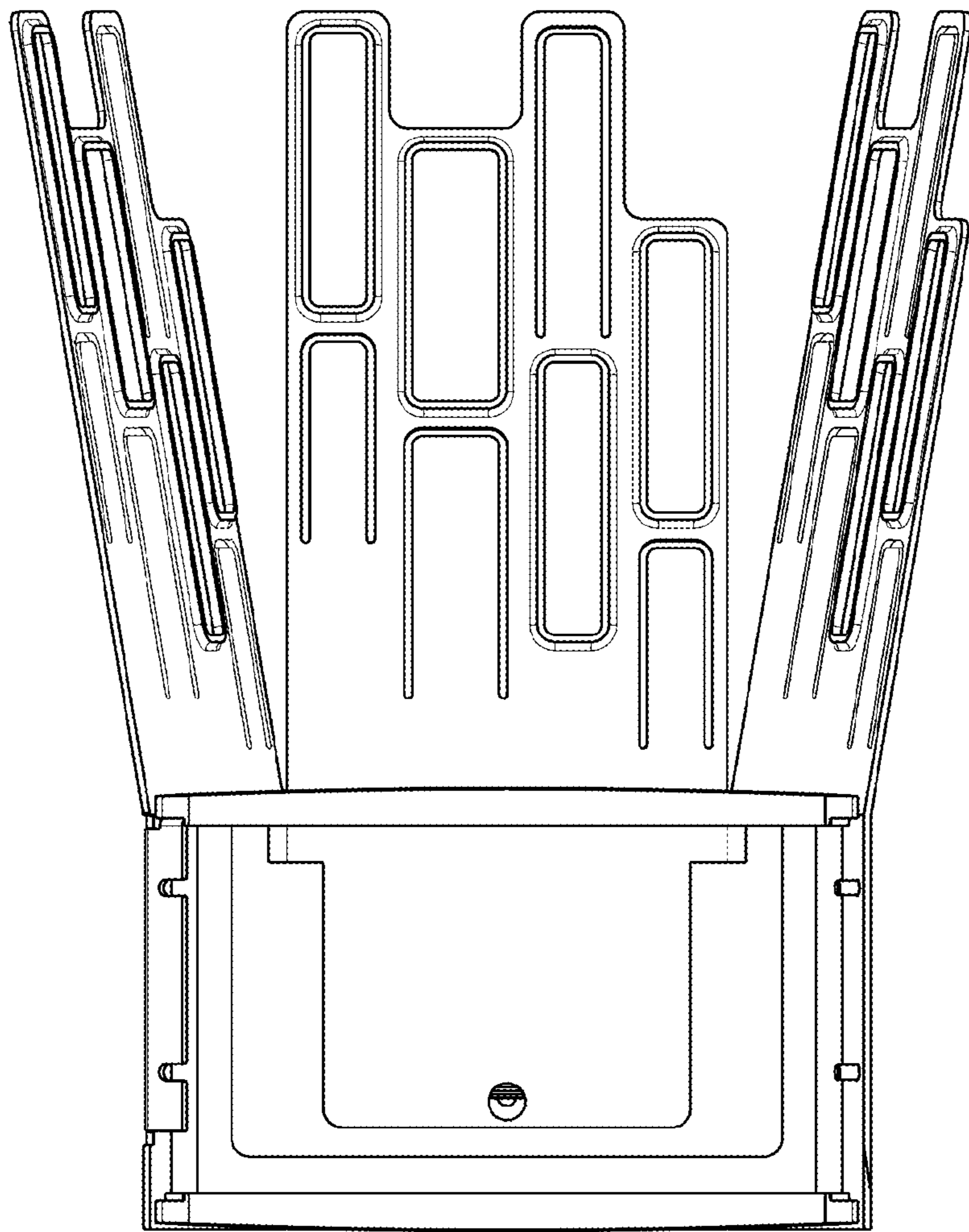


FIG. 3

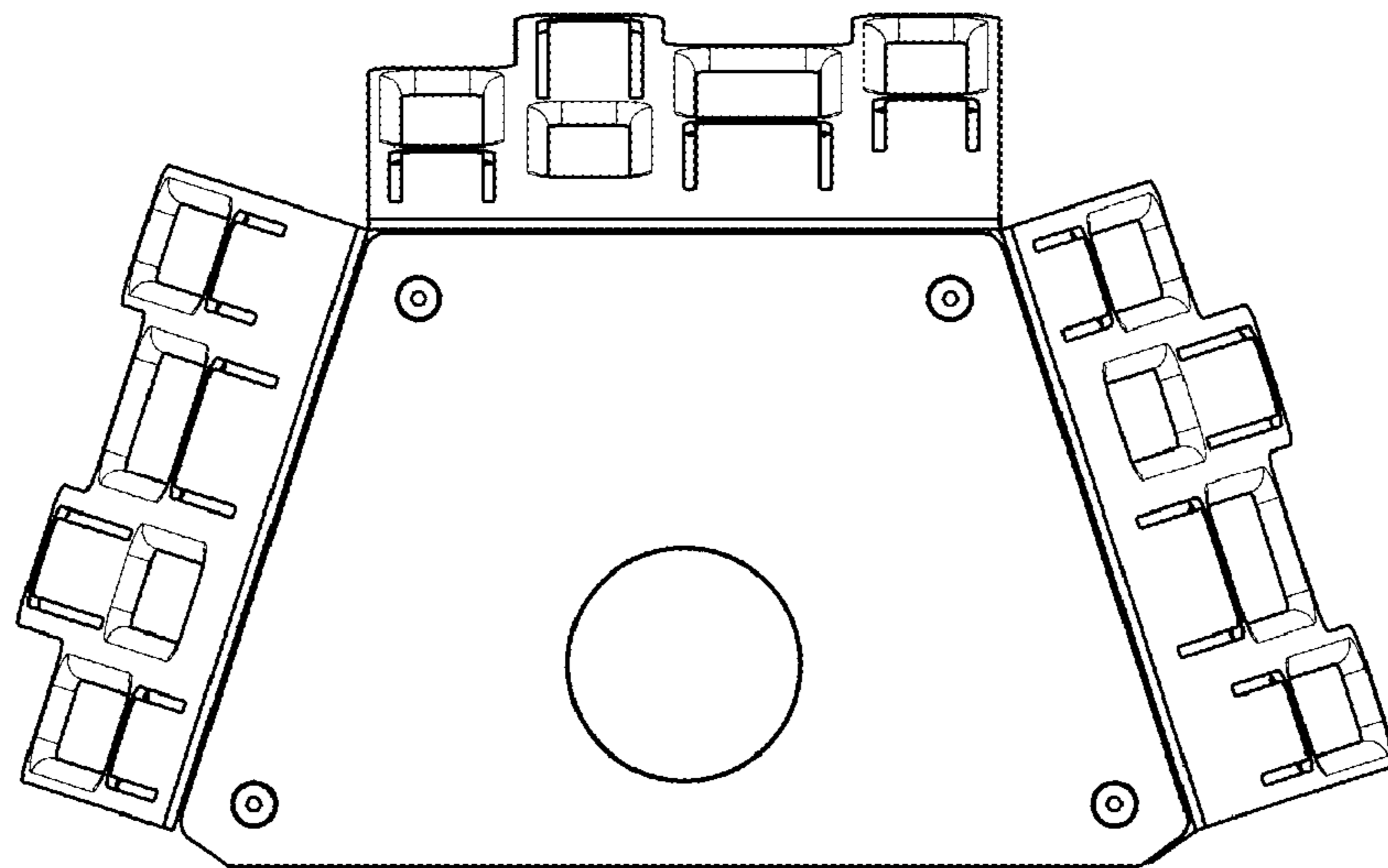


FIG. 4

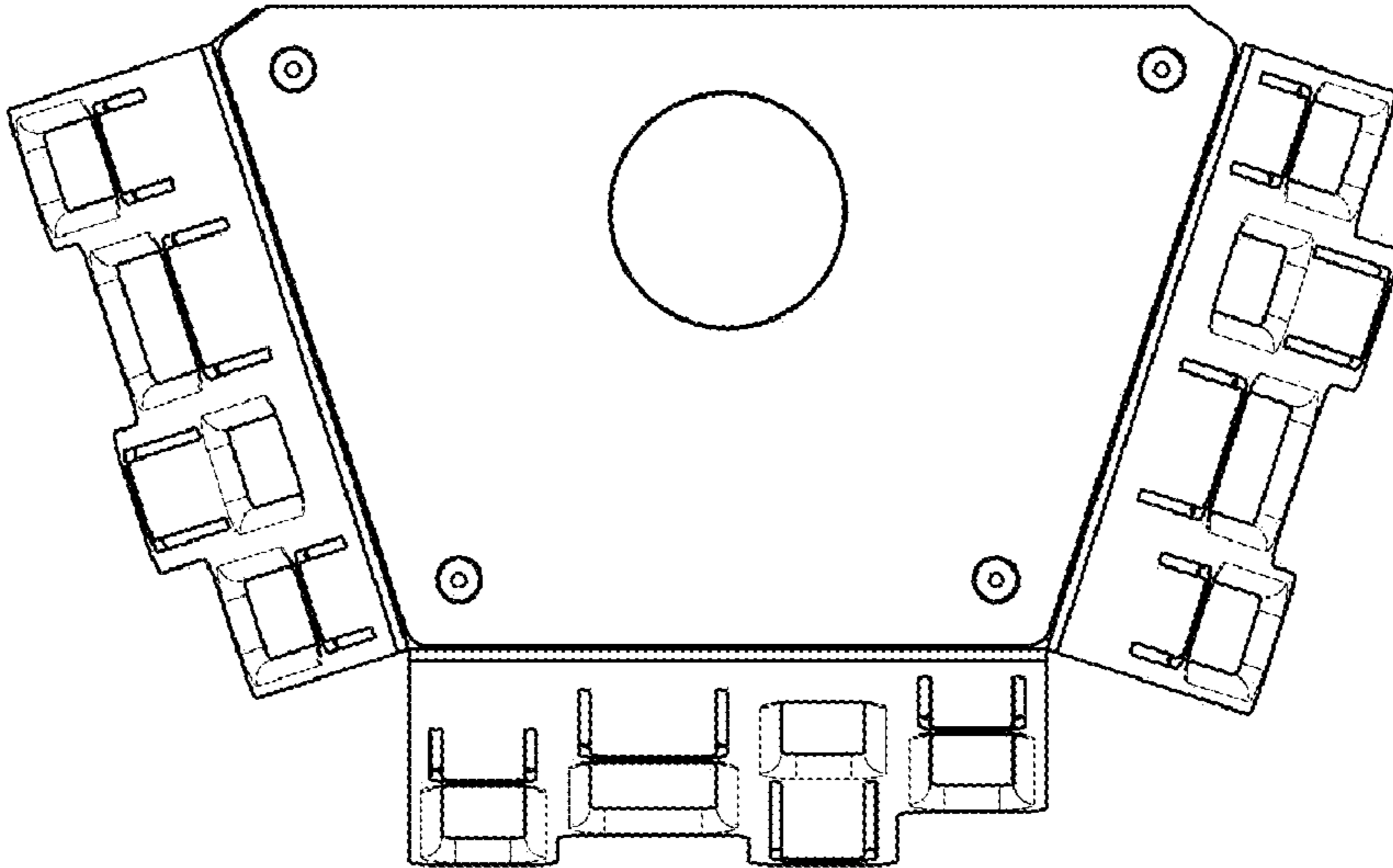


FIG. 5

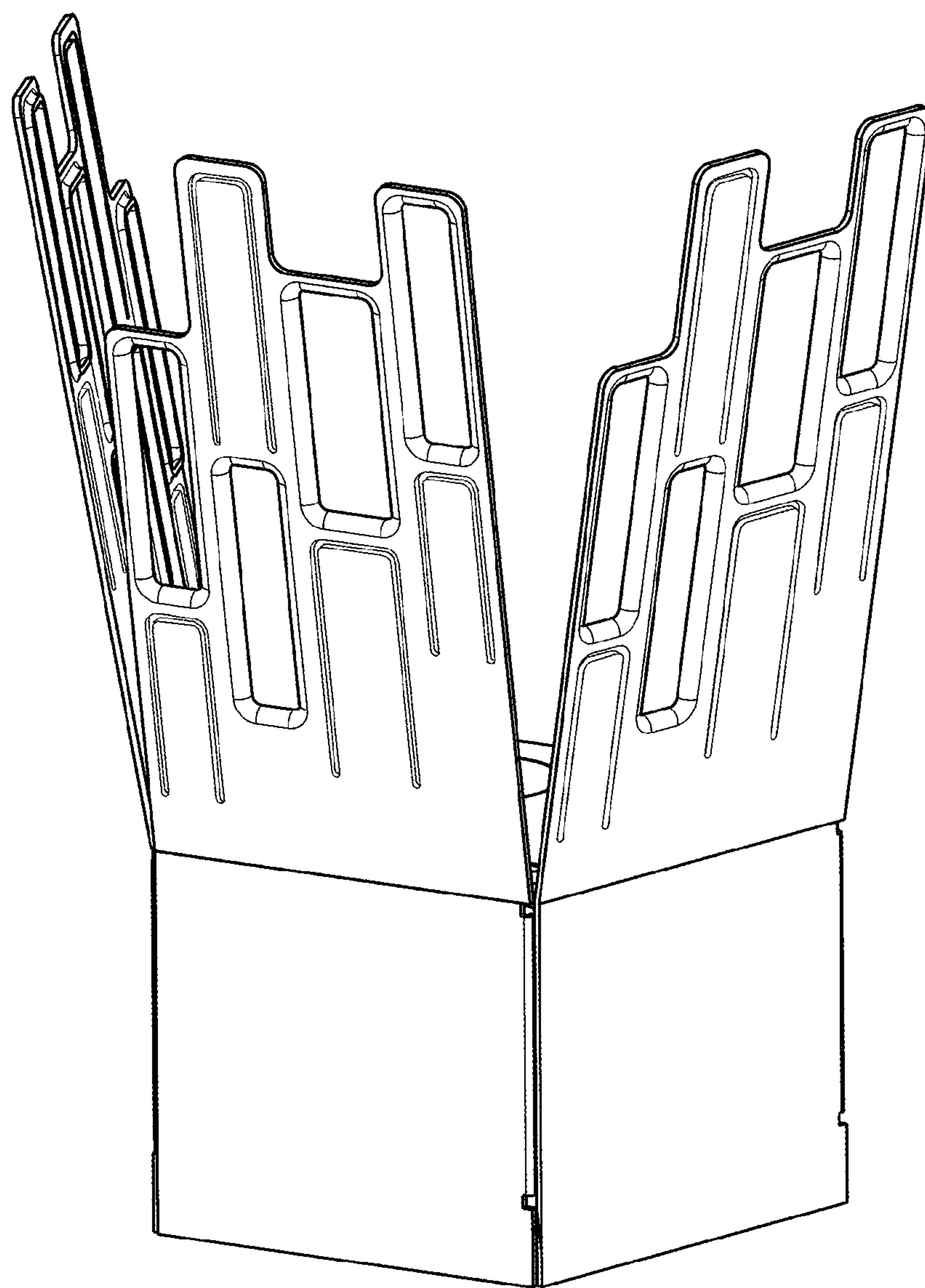


FIG. 6

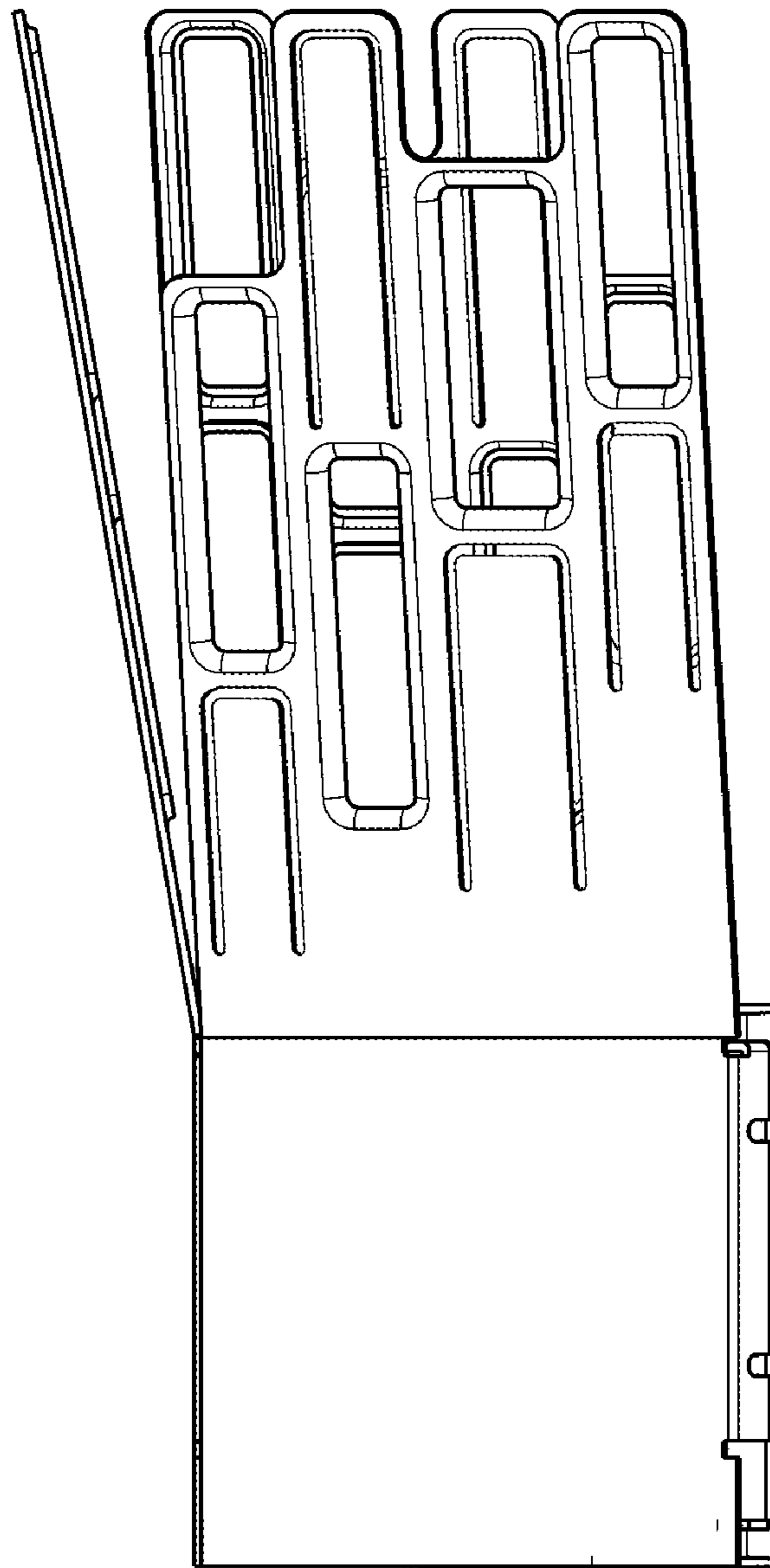


FIG. 7