



US00D633634S

(12) **United States Design Patent**
van der Lande

(10) **Patent No.:** **US D633,634 S**

(45) **Date of Patent:** **** Mar. 1, 2011**

(54) **MOVIE CAMERA-SHAPED KEYLIGHT**

D611,698 S * 3/2010 van der Lande D3/209
D621,604 S * 8/2010 van der Lande D3/211

(75) Inventor: **Jan van der Lande**, New York, NY (US)

* cited by examiner

(73) Assignee: **Kikkerland Design, Inc.**, New York, NY (US)

Primary Examiner—Charles A Rademaker

Assistant Examiner—Carissa C Fitts

(**) Term: **14 Years**

(74) *Attorney, Agent, or Firm*—Cascio & Zervas

(21) Appl. No.: **29/353,428**

(57) **CLAIM**

(22) Filed: **Jan. 8, 2010**

The ornamental design for a movie camera-shaped keylight, as shown and described.

(51) **LOC (9) Cl.** **26-02**

(52) **U.S. Cl.** **D26/47; D3/211; D16/205**

(58) **Field of Classification Search** D26/37,
D26/38, 40, 46, 49, 50; 362/157, 158, 183,
362/184, 189, 194–197, 200–208, 253, 800;
D3/211; D16/202–208

See application file for complete search history.

DESCRIPTION

FIG. 1 is a front elevational view of the movie camera-shaped keylight showing my design;

FIG. 2 is a rear elevational view thereof;

FIG. 3 is a top plan view thereof;

FIG. 4 is a bottom plan view thereof;

FIG. 5 is a left side elevational view thereof;

FIG. 6 is a right side elevational view thereof; and,

FIG. 7 is a perspective view thereof with a key chain attached.

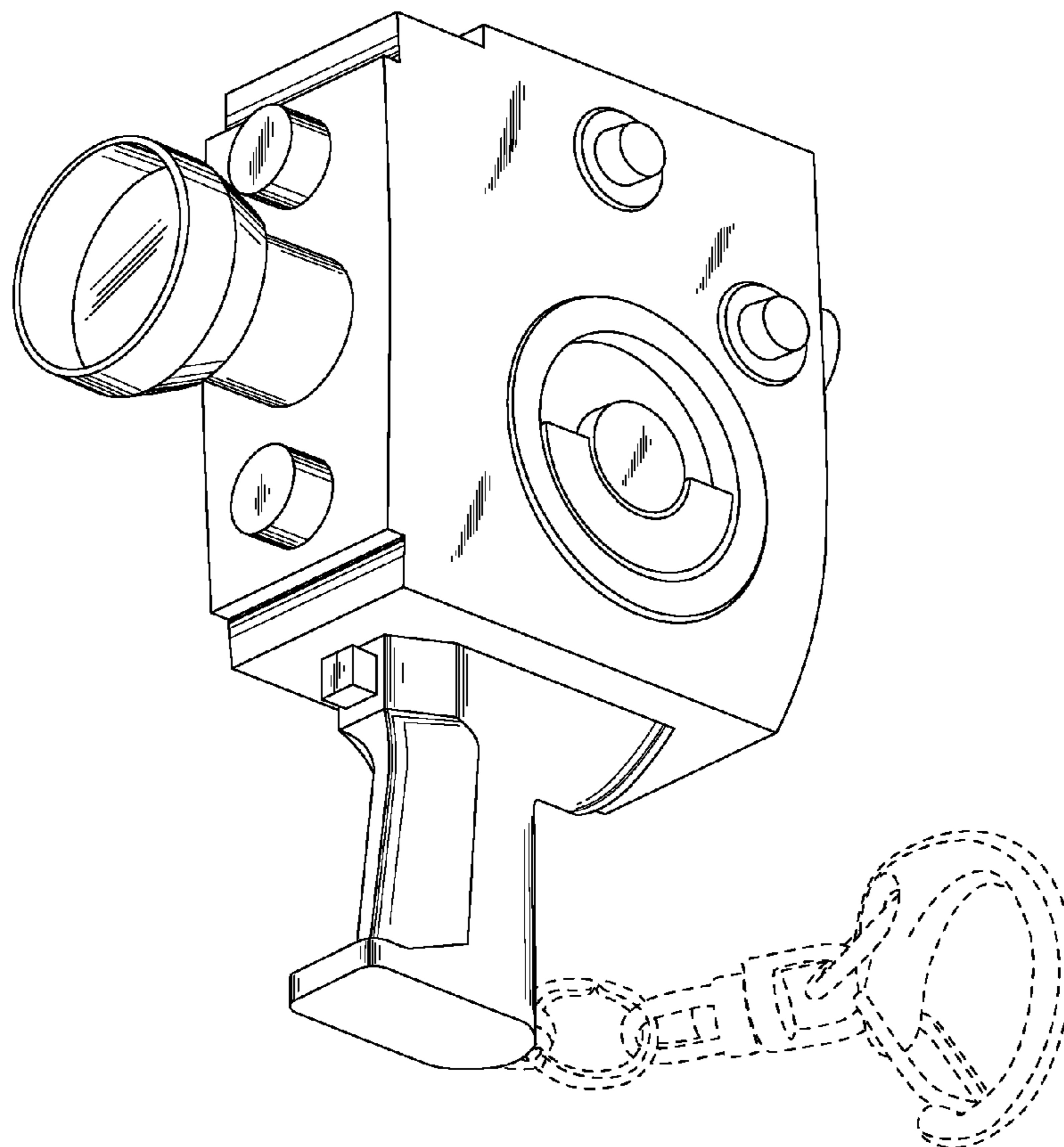
The broken line in FIG. 7 showing a key chain is for illustration purposes only and forms no part of the claimed design.

(56) **References Cited**

U.S. PATENT DOCUMENTS

| | | | | |
|--------------|---------|---------------|-------|---------|
| D196,201 S * | 9/1963 | Hertzler | | D16/206 |
| D236,914 S * | 9/1975 | Matsumoto | | D16/206 |
| D246,786 S * | 12/1977 | Bode et al. | | D16/206 |
| D246,787 S * | 12/1977 | Bode et al. | | D16/206 |
| D247,568 S * | 3/1978 | Miller et al. | | D16/206 |
| D564,115 S * | 3/2008 | Campman | | D26/47 |

1 Claim, 4 Drawing Sheets



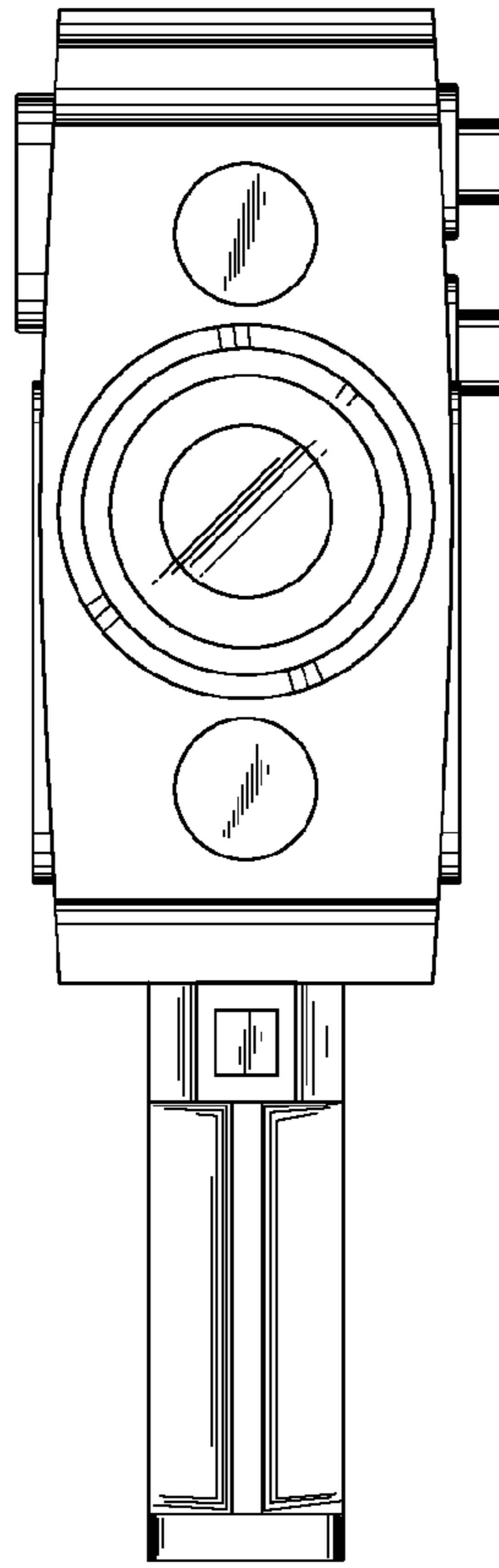


FIG. 1

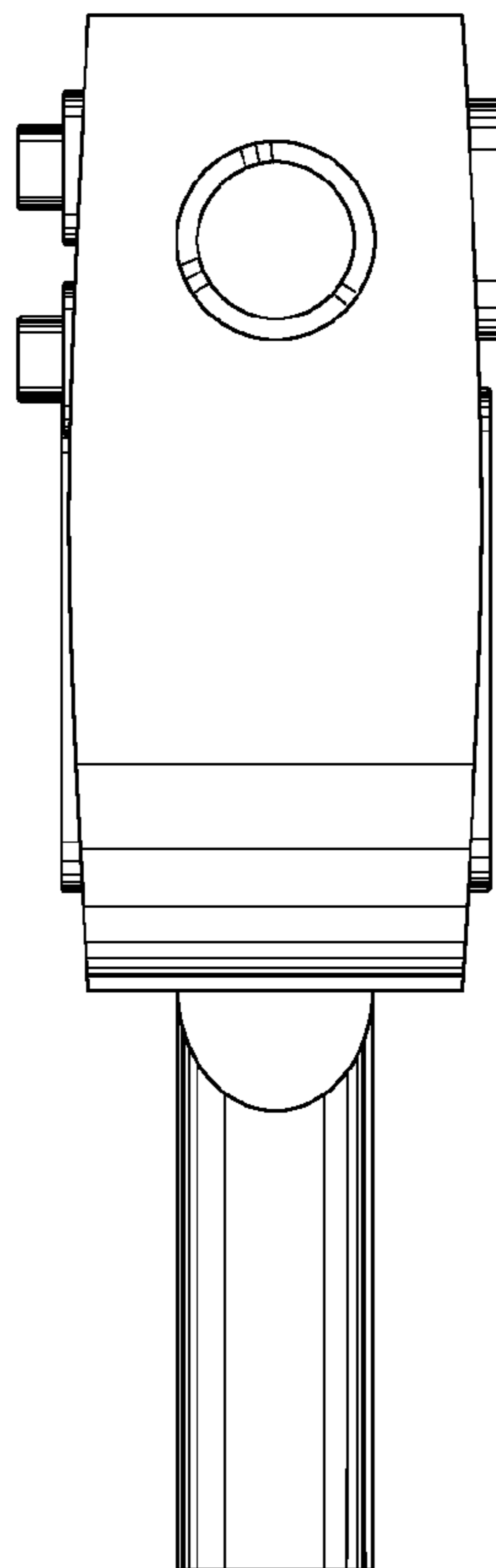


FIG. 2

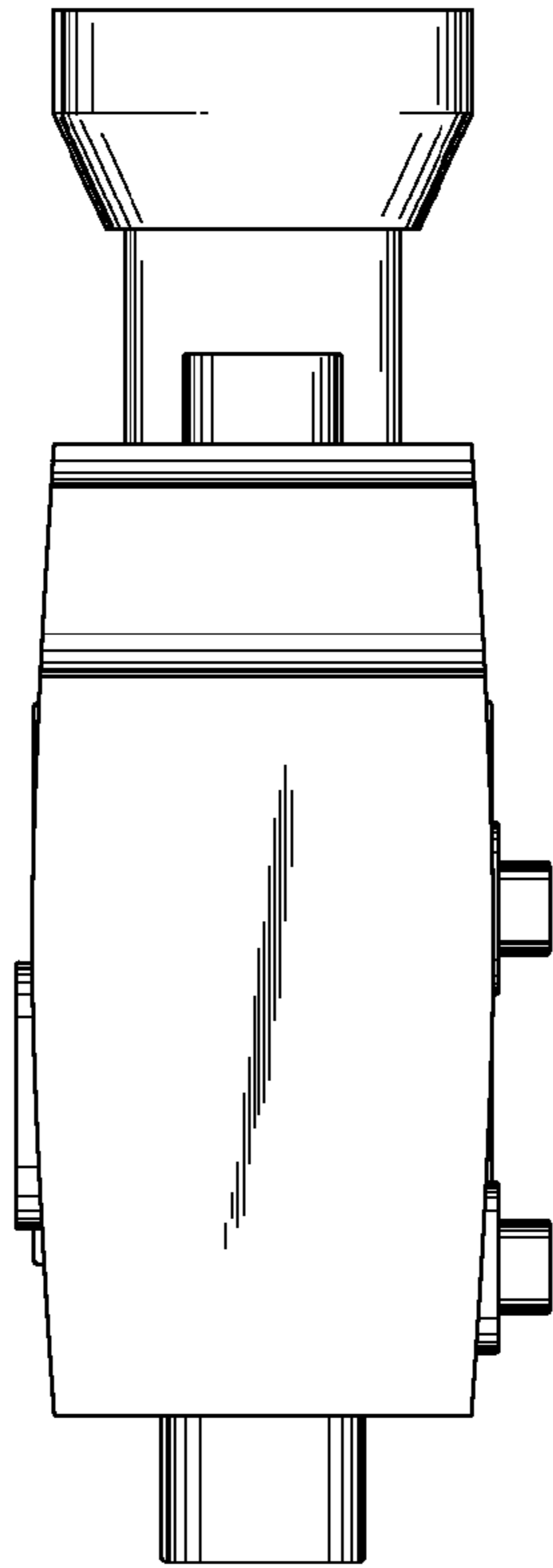


FIG. 3

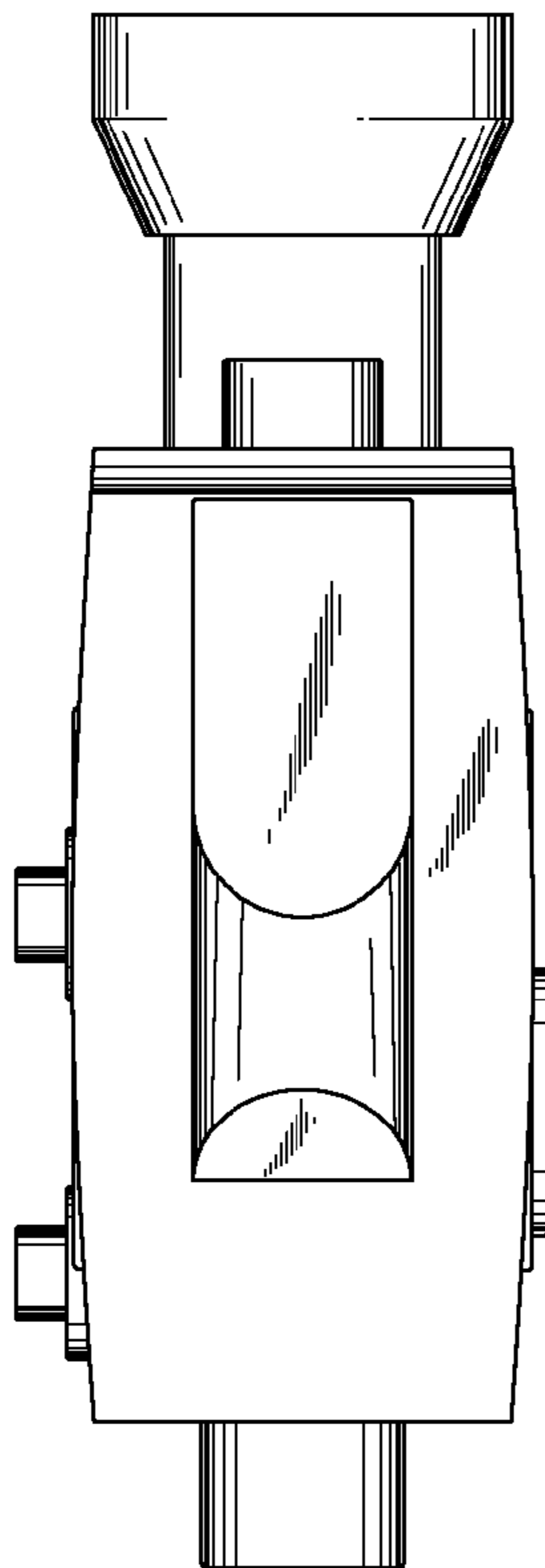


FIG. 4

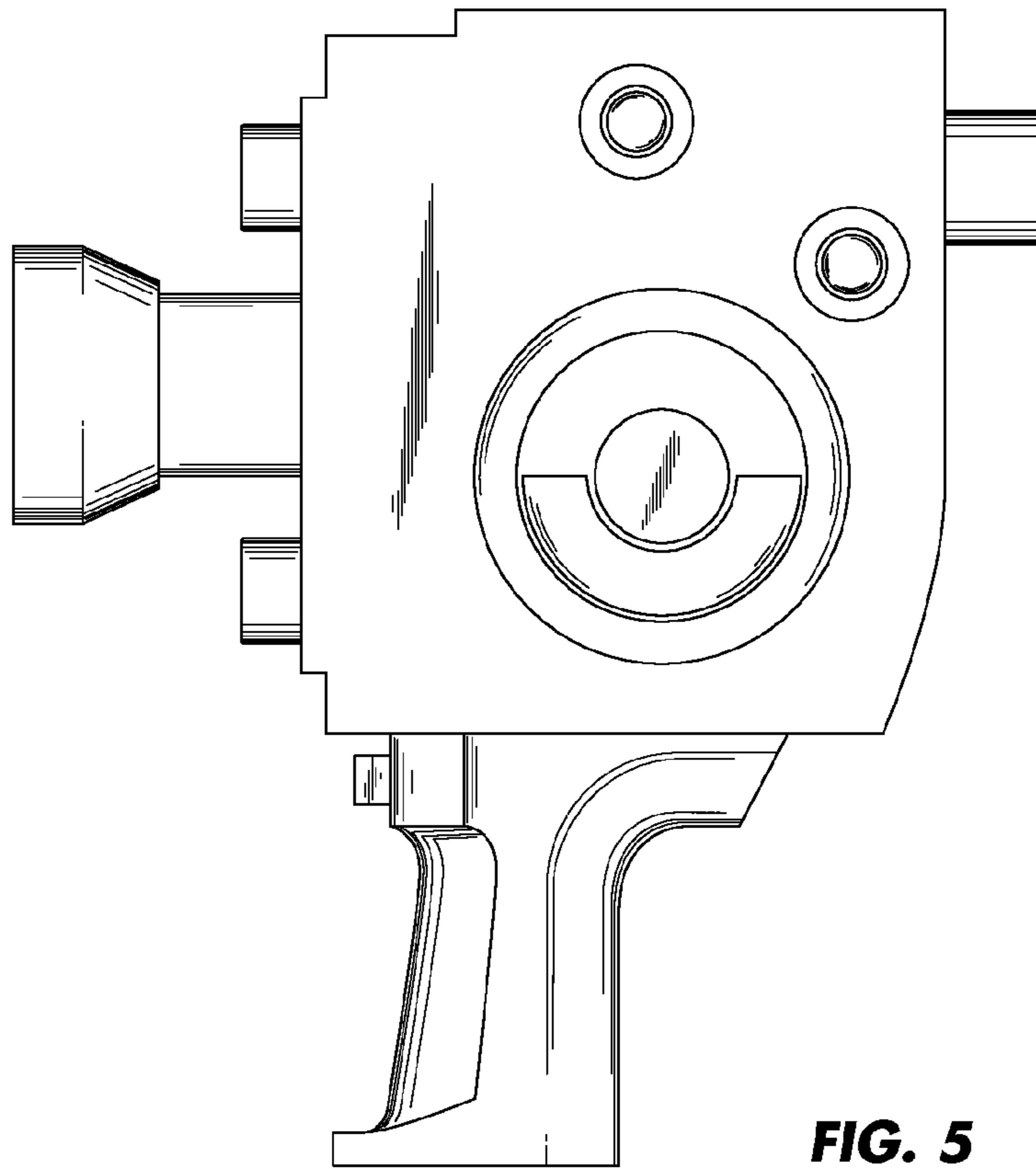


FIG. 5

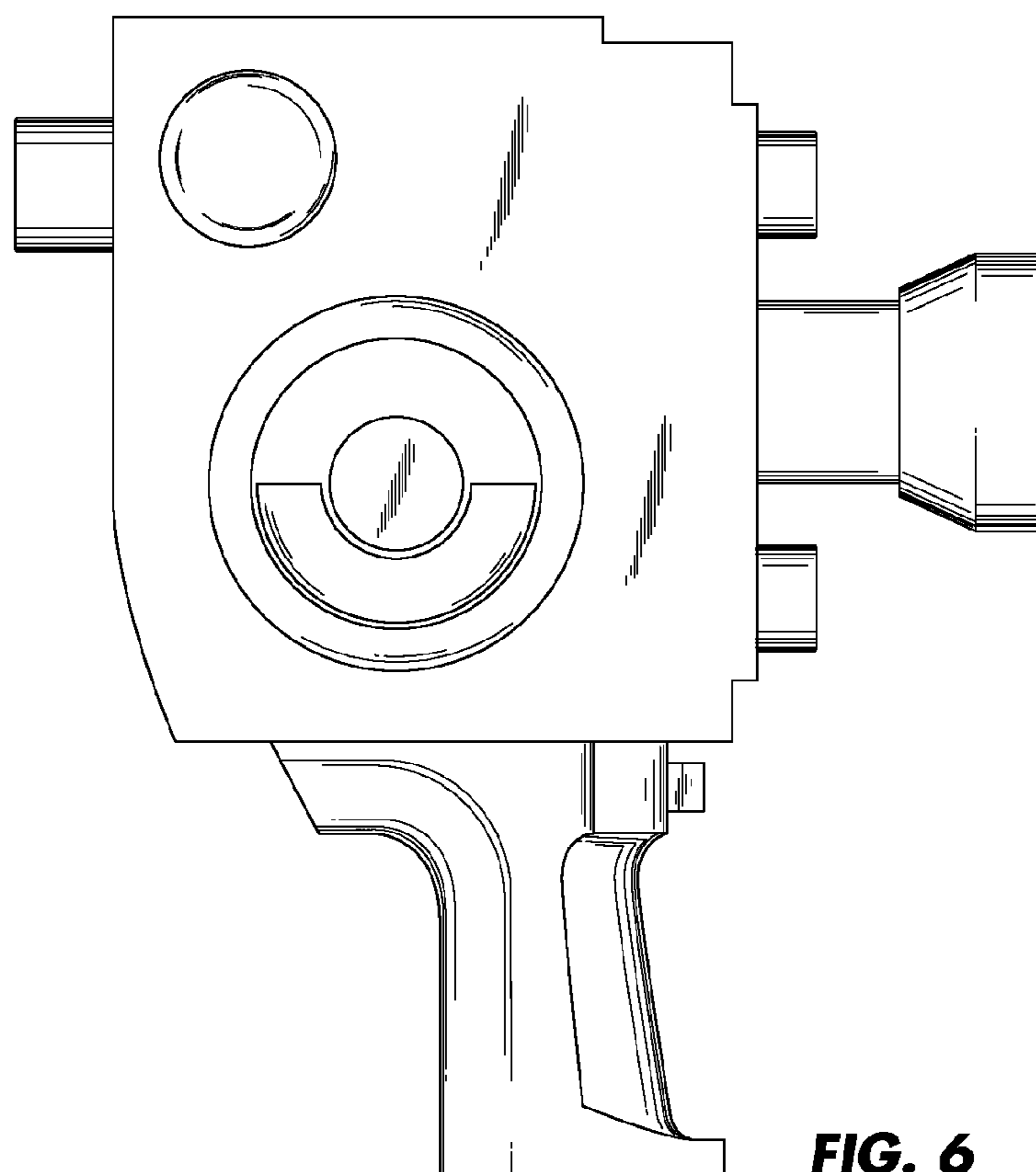


FIG. 6

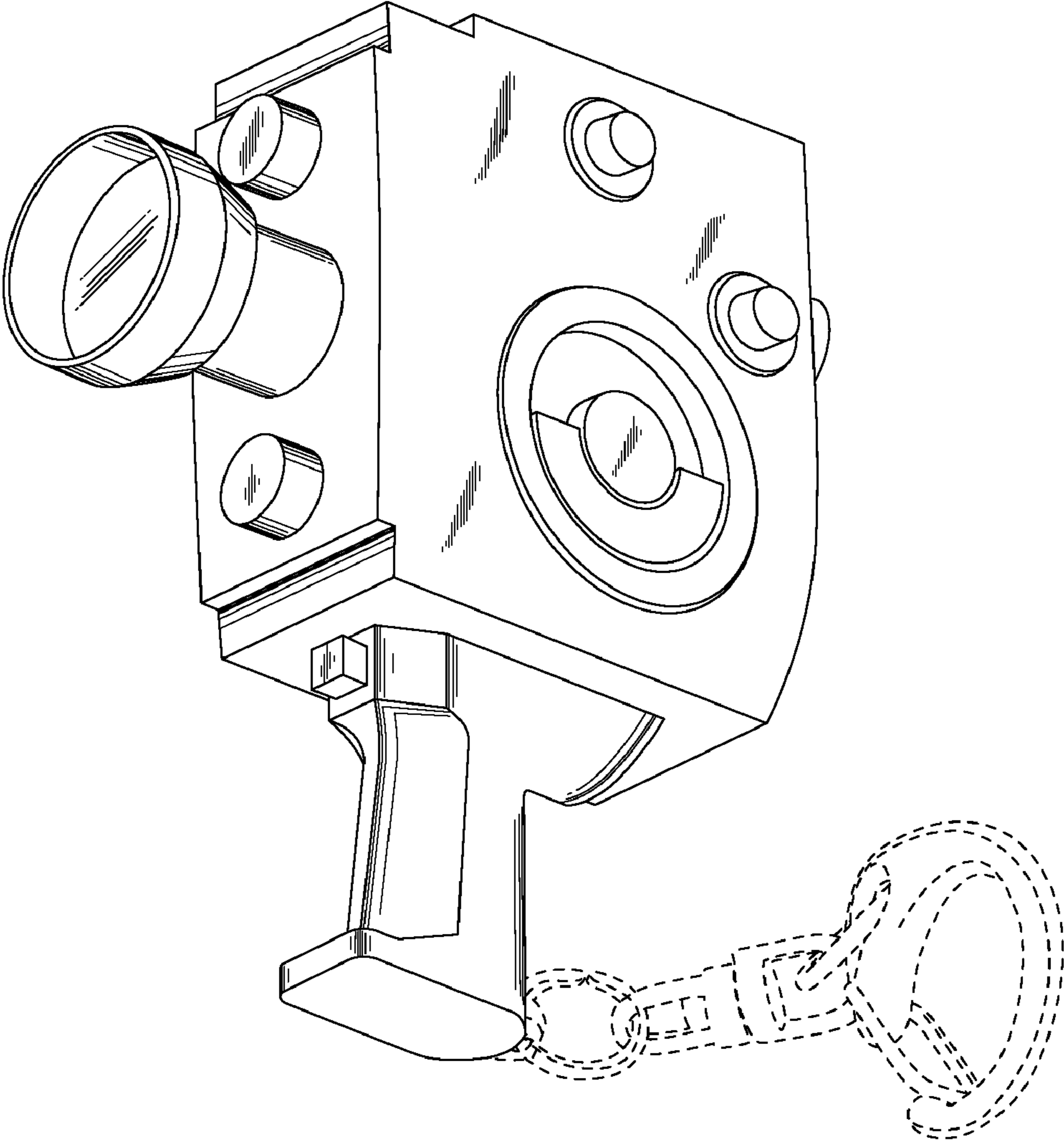


FIG. 7