



US00D633631S

(12) **United States Design Patent**  
**Shieh et al.**

(10) **Patent No.:** **US D633,631 S**  
(45) **Date of Patent:** **\*\* Mar. 1, 2011**

(54) **LIGHT SOURCE OF LIGHT EMITTING DIODE**

6,259,608 B1 7/2001 Berardinelli et al.

(75) Inventors: **Yuh-Ren Shieh**, Taiwan (CN);  
**Chi-Wing Leung**, Hong Kong (CN)

(Continued)

FOREIGN PATENT DOCUMENTS

(73) Assignee: **Cree Hong Kong Limited**, Shatin, New Territories (HK)

CN 1581527 A 2/2005

(\*\*) Term: **14 Years**

(Continued)

(21) Appl. No.: **29/293,900**

OTHER PUBLICATIONS

(22) Filed: **Dec. 14, 2007**

Official Notice of Decision for Refusal regarding related Japanese Design Application No. 2009-002857, dated Nov. 17, 2009.

(51) **LOC (9) Cl.** ..... **26-04**

(Continued)

(52) **U.S. Cl.** ..... **D26/1**

(58) **Field of Classification Search** ..... D26/1-4;  
313/313, 315, 316, 317, 318, 493; 315/56,  
315/57, 58

*Primary Examiner*—Marcus A Jackson

(74) *Attorney, Agent, or Firm*—Koppel, Patrick, Heybl & Dawson

See application file for complete search history.

(57) **CLAIM**

(56) **References Cited**

The ornamental design for an light source of light emitting diode, as shown and described.

U.S. PATENT DOCUMENTS

3,760,237 A	9/1973	Jaffe	.....	257/98
4,307,297 A	12/1981	Groff		
4,511,425 A	4/1985	Boyd	.....	156/493
5,040,868 A	8/1991	Waitl		
5,130,761 A	7/1992	Tanaka	.....	357/17
5,167,556 A	12/1992	Stein		
5,351,106 A	9/1994	Lesko	.....	355/83
5,703,401 A	12/1997	van de Water		
5,706,177 A	1/1998	Nather		
5,790,298 A	8/1998	Tonar	.....	359/267
5,813,753 A	9/1998	Vriens et al.	.....	362/293
5,907,151 A	5/1999	Gramann		
5,959,316 A	9/1999	Lowery	.....	257/98
6,061,160 A	5/2000	Maruyama	.....	359/152
6,066,861 A	5/2000	Hohn et al.		
6,183,100 B1	2/2001	Suckow et al.	.....	362/35
6,224,216 B1	5/2001	Parker et al.	.....	353/31

**DESCRIPTION**

FIG. 1 is a perspective view of one embodiment of an light source of light emitting diode showing our design;

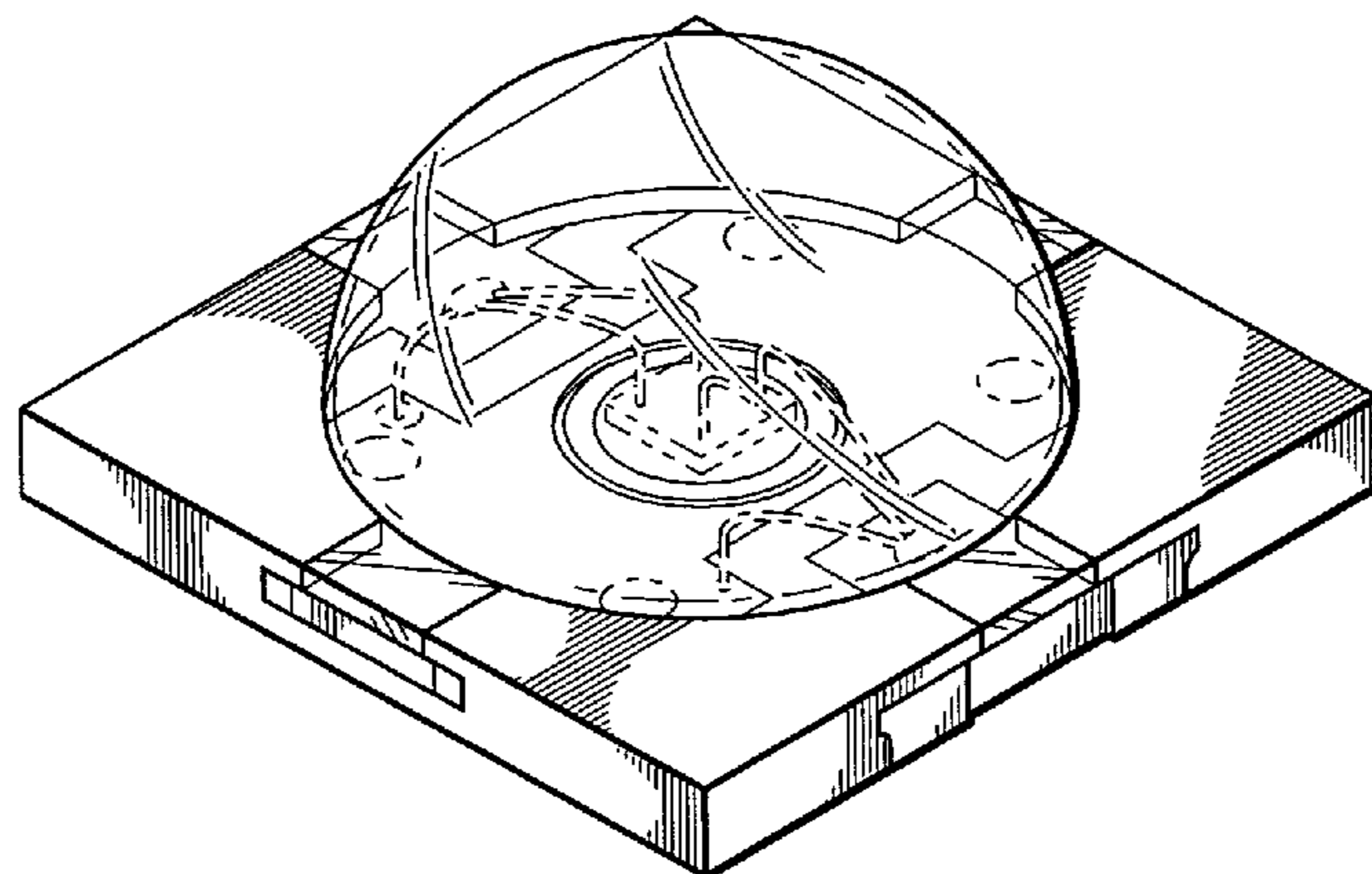
FIG. 2 is a top plan view of the light source of light emitting diode shown in FIG. 1;

FIG. 3 is a bottom plan view of the light source of light emitting diode shown in FIG. 1;

FIG. 4 is a front elevation view of the light source of light emitting diode shown in FIG. 1, with the back elevation view being substantially similar; and,

FIG. 5 is a side elevation view of the light source of light emitting diode shown in FIG. 1, with the opposite side elevation view being substantially similar.

**1 Claim, 2 Drawing Sheets**



## U.S. PATENT DOCUMENTS

6,274,924 B1 8/2001 Carey et al. .... 257/676  
 6,296,367 B1 10/2001 Parsons et al. .... 362/183  
 6,359,236 B1 3/2002 DiStefano et al.  
 6,376,902 B1 4/2002 Arndt ..... 257/678  
 6,454,437 B1 9/2002 Kelly ..... 362/246  
 6,469,321 B2 10/2002 Arndt  
 6,480,389 B1 11/2002 Shie et al. .... 361/707  
 6,517,218 B2 2/2003 Hochstein ..... 362/294  
 6,573,580 B2 6/2003 Arndt  
 6,610,563 B1 8/2003 Waitl  
 6,614,058 B2 9/2003 Lin et al.  
 6,624,491 B2 9/2003 Waitl et al.  
 6,680,490 B2 1/2004 Yasukawa et al.  
 6,686,609 B1 2/2004 Sung  
 6,707,069 B2 3/2004 Song et al. .... 257/79  
 6,710,373 B2 3/2004 Wang  
 6,759,733 B2 7/2004 Arndt  
 6,770,498 B2 8/2004 Hsu ..... 438/26  
 6,774,401 B2 8/2004 Nakada et al.  
 6,858,879 B2 2/2005 Waitl  
 6,872,585 B2 3/2005 Matsumura et al.  
 6,876,149 B2 4/2005 Miyashita  
 6,900,511 B2 5/2005 Ruhnau et al.  
 6,911,678 B2 6/2005 Fujisawa et al.  
 6,914,268 B2 7/2005 Shei ..... 257/99  
 6,919,586 B2 7/2005 Fujii  
 6,940,704 B2 9/2005 Stalions  
 6,946,714 B2 9/2005 Waitl  
 6,975,011 B2 12/2005 Arndt  
 6,995,510 B2 2/2006 Murakami et al.  
 7,021,797 B2 4/2006 Minano et al. .... 362/355  
 7,064,907 B2 6/2006 Kaneko  
 7,066,626 B2 6/2006 Omata  
 7,102,213 B2 9/2006 Sorg  
 7,119,422 B2 10/2006 Chin ..... 257/666  
 7,161,189 B2 1/2007 Wu ..... 257/98  
 7,224,000 B2 5/2007 Aanegola et al. .... 257/98  
 7,285,802 B2 10/2007 Ouderkirk et al. .... 257/98  
 D572,210 S 7/2008 Lee ..... D13/180  
 D572,670 S 7/2008 Ono et al. .... D13/180  
 D576,574 S 9/2008 Kobayakawa ..... D13/180  
 D591,697 S \* 5/2009 Andrews et al. .... D13/182  
 D593,224 S \* 5/2009 Hanley ..... D26/2  
 D598,579 S \* 8/2009 Hanley ..... D26/1  
 2002/0061174 A1 5/2002 Hurt et al.  
 2002/0123163 A1 9/2002 Fujii  
 2002/0163001 A1 11/2002 Shaddock  
 2002/0171911 A1 11/2002 Maegawa  
 2002/0195935 A1 12/2002 Jager  
 2003/0116769 A1 6/2003 Song et al.  
 2003/0183852 A1 10/2003 Takenaka  
 2004/0041222 A1 3/2004 Loh  
 2004/0047151 A1 3/2004 Bogner et al.  
 2004/0079957 A1 4/2004 Andrews et al.  
 2004/0080939 A1 4/2004 Braddell et al.  
 2004/0126913 A1 7/2004 Loh  
 2004/0227149 A1 11/2004 Ibbetson  
 2004/0232435 A1 11/2004 Hofer  
 2004/0238930 A1 12/2004 Arndt  
 2005/0023548 A1 2/2005 Bhat  
 2005/0072981 A1 4/2005 Suenaga  
 2005/0077535 A1 4/2005 Li  
 2005/0093005 A1 5/2005 Ruhnau  
 2005/0117320 A1 6/2005 Leu et al.  
 2005/0127377 A1 6/2005 Arndt  
 2005/0135105 A1 6/2005 Teixeira et al.  
 2005/0152127 A1 7/2005 Kamiya et al.  
 2005/0179376 A1 8/2005 Fung et al.  
 2005/0220046 A1 10/2005 Yu et al.  
 2006/0022212 A1 2/2006 Waitl  
 2006/0049477 A1 3/2006 Arndt et al.

2006/0102917 A1 5/2006 Oyama et al.  
 2006/0108594 A1 5/2006 Iwasaki et al.  
 2006/0133044 A1 6/2006 Kim et al.  
 2006/0157828 A1 7/2006 Sorg  
 2007/0046176 A1 3/2007 Bukesov et al.  
 2007/0109779 A1 5/2007 Sekiguchi et al.  
 2007/0170449 A1 7/2007 Anandan  
 2007/0269586 A1 11/2007 Leatherdale  
 2008/0013319 A1 1/2008 Pei et al.  
 2008/0074032 A1 3/2008 Yano et al.  
 2008/0121921 A1 5/2008 Loh et al.  
 2008/0186702 A1 8/2008 Camras et al.  
 2008/0191232 A1 8/2008 Lee et al.  
 2008/0303052 A1 12/2008 Lee et al.  
 2009/0050908 A1 2/2009 Yuan et al.  
 2009/0072251 A1 3/2009 Chan et al.  
 2009/0129085 A1 5/2009 Aizar et al.  
 2009/0189178 A1 7/2009 Kim et al.  
 2009/0283781 A1 11/2009 Chan et al.

## FOREIGN PATENT DOCUMENTS

CN 1591924 A 3/2005  
 CN 1679168 A 10/2005  
 CN 1744335 A 3/2006  
 CN 1801498 A 7/2006  
 CN 101061590 A 10/2007  
 EP 1005085 A2 5/2000  
 EP 1187226 A1 3/2002  
 EP 1187227 3/2002  
 EP 1187228 3/2002  
 EP 1521313 4/2005  
 GB 2420221 A 5/2006  
 JP 8139257 5/1996  
 JP 11-167805 A 6/1999  
 JP 2000223752 8/2000  
 WO WO 9931737 6/1999  
 WO WO 0217405 2/2002  
 WO WO 2004027882 4/2004  
 WO WO 2004044877 5/2004  
 WO WO 2005043627 A1 5/2005  
 WO WO 2005104247 11/2005  
 WO WO 2006054228 A3 5/2006

## OTHER PUBLICATIONS

JP 2001 060072A , Abstract, Matsushita Electric Ind. Co Ltd., Mar. 6, 222001.  
 Nichia Corp. White LED Part No. NSPW300BS, Specification for Nichia White LED , Model NSPW300BS., Jan. 14, 2004.  
 Nichia Corp., White LED Part No. NSPW312BS, Specification for Nichia White LED, Model NSPW312BS. Jan. 14, 2004.  
 Kim J.K et al. "Strongly Enhanced Phosphor Efficiency in GaInN White Light-Emitting Diodes Using Remote Phosphor Configuration and Diffuse Reflector Cup" Japanese Journal of Applied Physics, Japan Society of Applied Physics, Tokyo, JP, vol. 44, No. 20-23, Jan. 1, 2005 XP-001236966, pp. 649-651.  
 Preliminary Notice of Reasons for Refusal re related Japanese Application No. 2009-002857, dated: Apr. 24, 2009, pp. 1-2.  
 Preliminary Notice of Reasons for Refusal re related Japanese Application No. 2009-002857, dated: Jul. 24, 2009.  
 International Search Report, International Application No. PCT/CN2008/070298, Mailed on Jun. 26, 2008.  
 Office Action from related China Application No. 200710142310.7, dated: Dec. 11, 2009.  
 Declaration of Gerald Negley, dated: Aug. 20, 2009.  
 Declaration of Charles Swoboda, dated: Aug. 19, 2009.  
 International Search Report for PCT/CN2009/074800 mailed Feb. 25, 2010.  
 Office Action from U.S. Appl. No. 11/149,998, dated: Nov. 20, 2009.  
 Response to Office Action from U.S. Appl. No. 11/149,998, dated: Feb. 22, 2010.  
 Office Action from U.S. Appl. No. 12/154,691, dated: Dec. 17, 2009.

# US D633,631 S

Page 3

---

Response to Office Action from U.S. Appl. No. 12/154,691, dated:  
May 17, 2010.

Office Action from U.S. Appl. No. 11/465,120, dated: Mar. 9, 2010.

Office Action from U.S. Appl. No. 12/152,766, dated: Mar. 12, 2010.

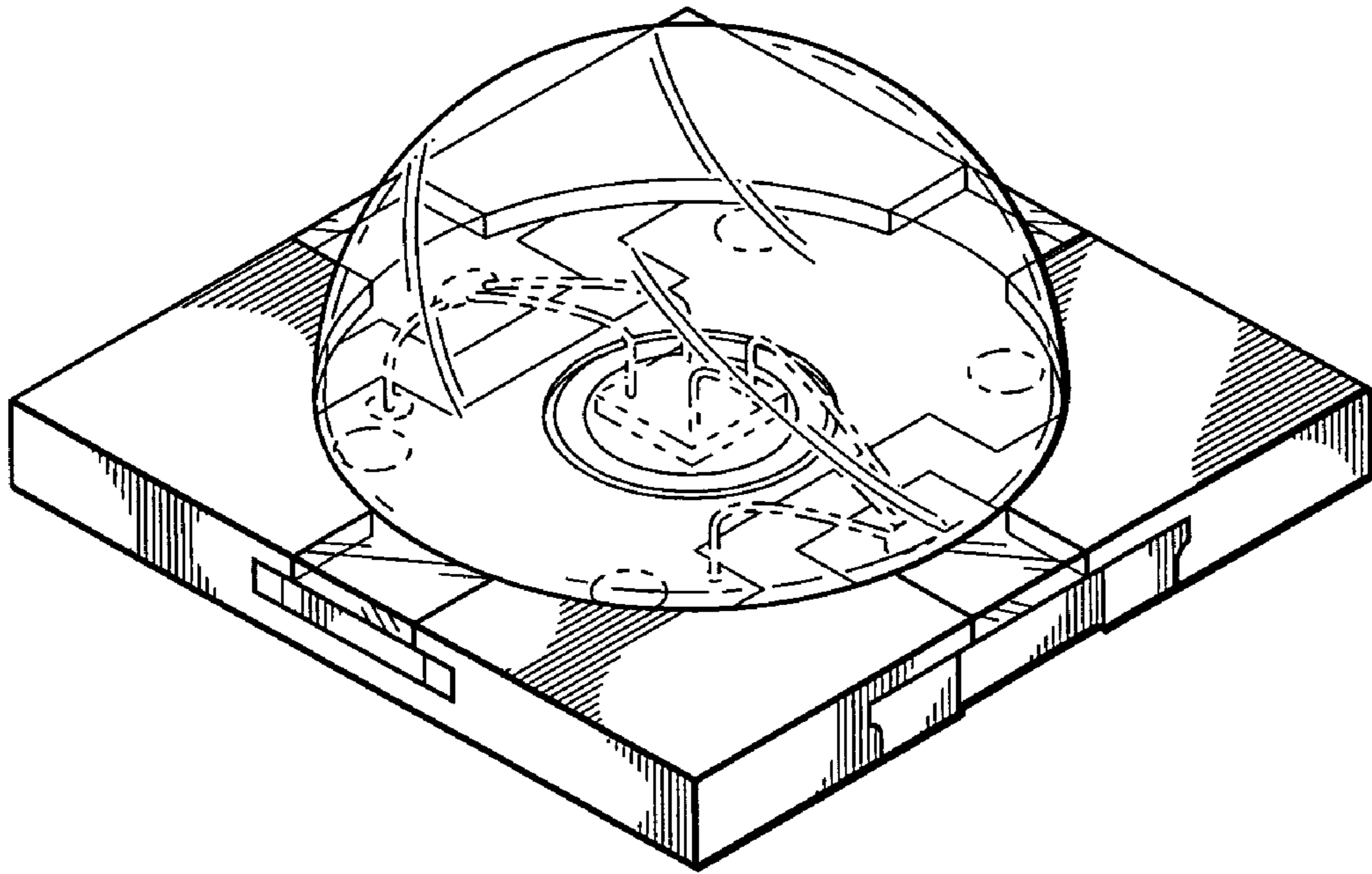
Office Action from U.S. Appl. No. 12/069,827, dated: Apr. 20, 2010.

Office Action from U.S. Appl. No. 12/321,059, dated: May 17, 2010.

Office Action from U.S. Appl. No. 11/149,998, dated: May 18, 2010.

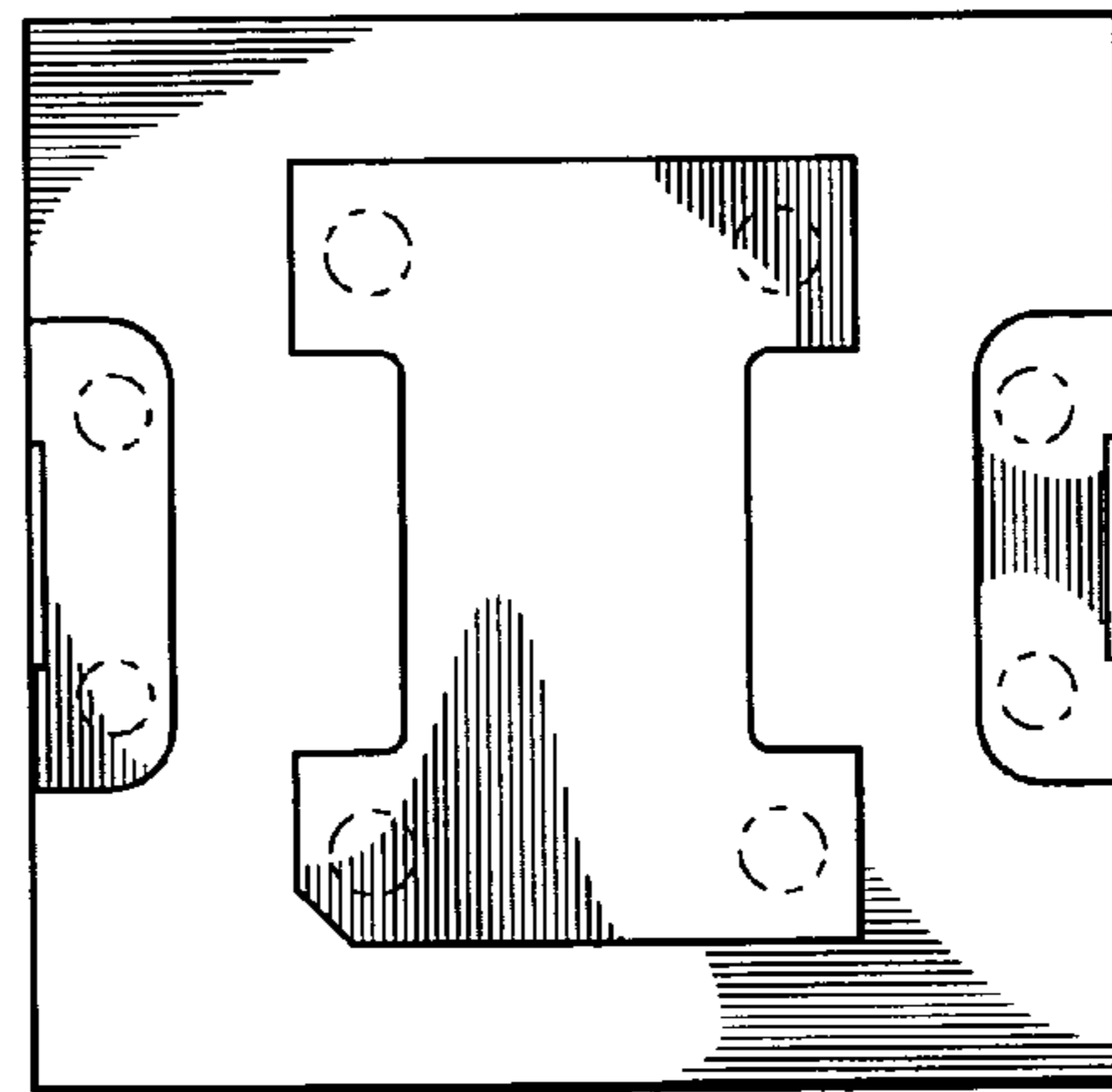
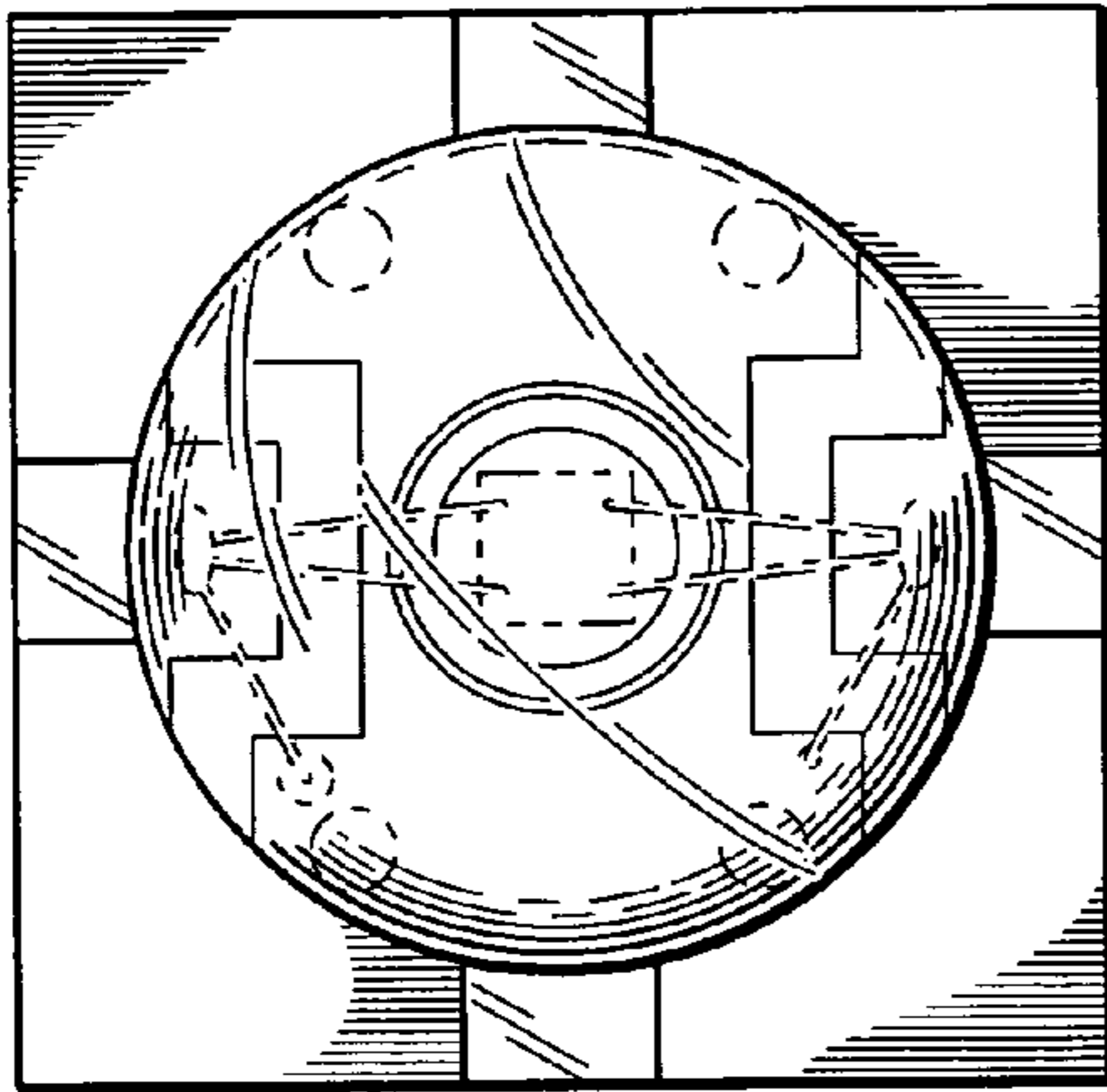
First Office Action for Chinese Patent Application No.  
200780019643.9 dated Mar. 29, 2010.

\* cited by examiner

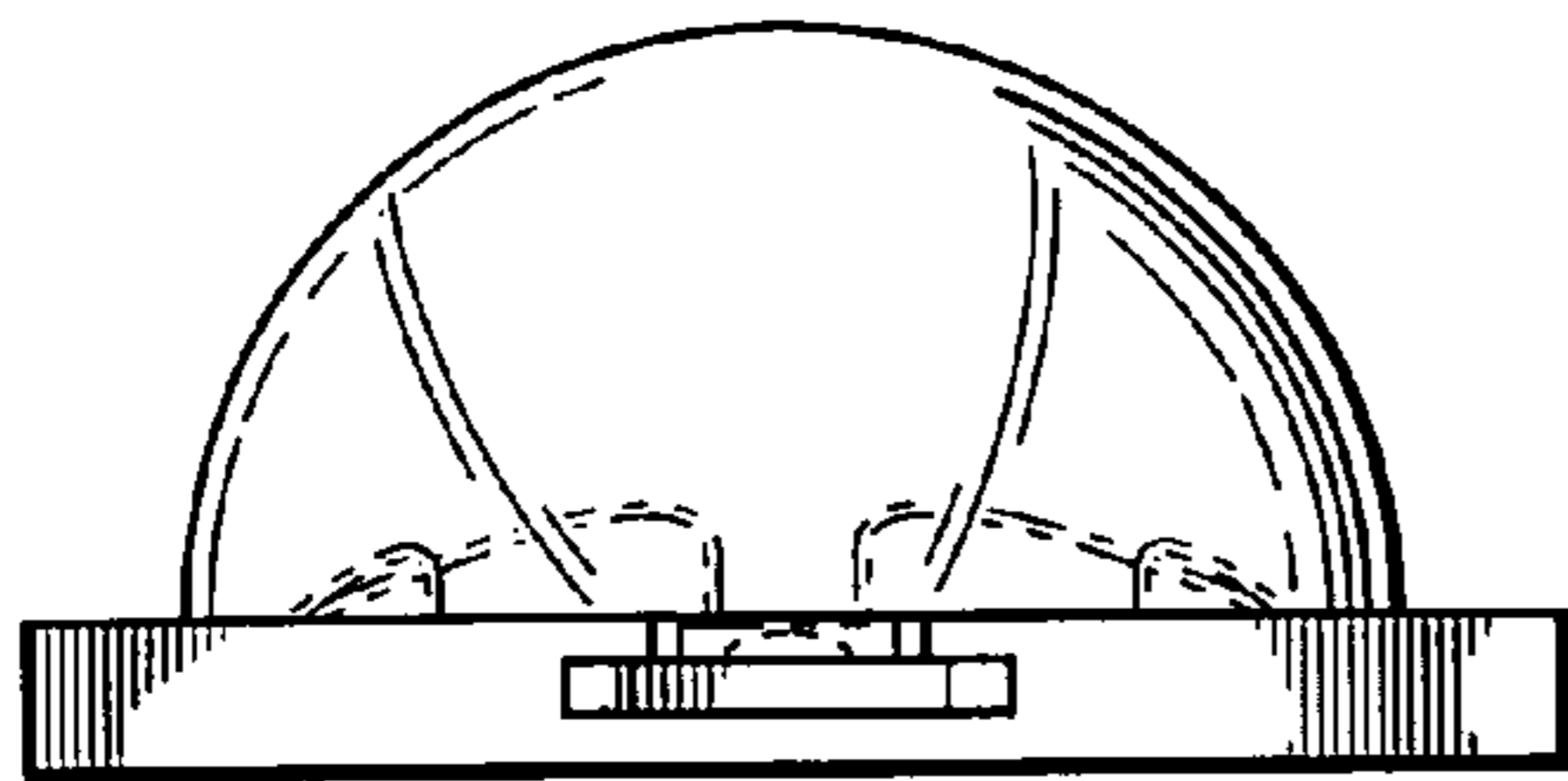


*FIG. 1*

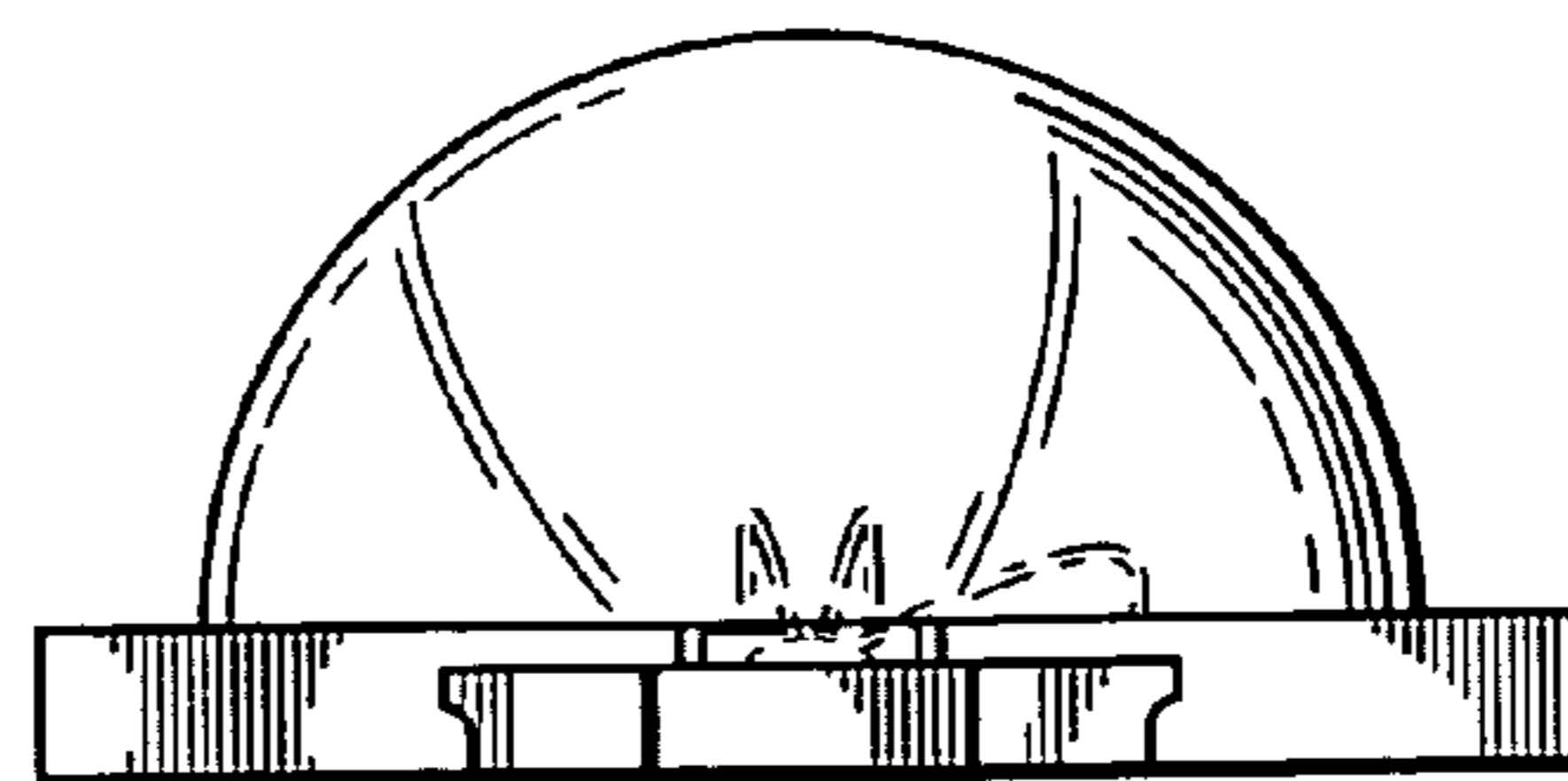
*FIG. 2*



*FIG. 3*



*FIG. 4*



*FIG. 5*