



US00D633630S

(12) **United States Design Patent**  
**Jacot et al.**

(10) **Patent No.:** **US D633,630 S**  
(45) **Date of Patent:** **\*\* \*Mar. 1, 2011**

(54) **BUILDING UNIT**

(75) Inventors: **Gregory Allen Jacot**, Slinger, WI (US);  
**William Charles Leonhardt**, Glenn Heights, TX (US)

(73) Assignee: **Oldcastle Architectural, Inc.**, Atlanta, GA (US)

(\*\*) Term: **14 Years**

(21) Appl. No.: **29/358,126**

(22) Filed: **Mar. 23, 2010**

**Related U.S. Application Data**

(62) Division of application No. 29/295,833, filed on Oct. 9, 2007, now Pat. No. Des. 615,216.

(51) **LOC (9) Cl.** ..... **25-01**

(52) **U.S. Cl.** ..... **D25/118**

(58) **Field of Classification Search** ..... D25/113,  
D25/114, 115, 116, 118; D21/484-491,  
D21/499-502; 405/16, 17, 33, 35, 284, 286;  
52/503-505, 574, 575, 596-605, 609-612;  
404/29-31, 34

See application file for complete search history.

(56) **References Cited**

**U.S. PATENT DOCUMENTS**

1,649,367 A \* 11/1927 Reagan ..... D25/118

(Continued)

*Primary Examiner*—T. Chase Nelson

*Assistant Examiner*—Anhdao Doan

(74) *Attorney, Agent, or Firm*—Kilpatrick Townsend & Stockton LLP

(57) **CLAIM**

The ornamental design for a building unit, as shown and described.

**DESCRIPTION**

FIG. 1 shows a perspective view of a building unit according to the present invention.

FIG. 2 shows a top view of the building unit of FIG. 1.

FIG. 3 shows a bottom view of the building unit of FIG. 1.

FIG. 4 shows a front view of the building unit of FIG. 1, the rear view being a mirror image of the front view.

FIG. 5 shows a right side view of the building unit of FIG. 1, the left side view being a mirror image of the right side view.

FIG. 6 shows a perspective view of another building unit according to the present invention.

FIG. 7 shows a top view of the building unit of FIG. 6.

FIG. 8 shows a bottom view of the building unit of FIG. 6.

FIG. 9 shows a front view of the building unit of FIG. 6, the rear view being a mirror image of the front view.

FIG. 10 shows a right side view of the building unit of FIG. 6, the left side view being a mirror image of the right side view.

FIG. 11 shows a perspective view of another building unit according to the present invention.

FIG. 12 shows a top view of the building unit of FIG. 11.

FIG. 13 shows a bottom view of the building unit of FIG. 11.

FIG. 14 shows a front view of the building unit of FIG. 11, the rear view being a mirror image of the front view.

FIG. 15 shows a right side view of the building unit of FIG. 11, the left side view being a mirror image of the right side view.

FIG. 16 shows a perspective view of another building unit according to the present invention.

FIG. 17 shows a top view of the building unit of FIG. 16.

FIG. 18 shows a bottom view of the building unit of FIG. 16.

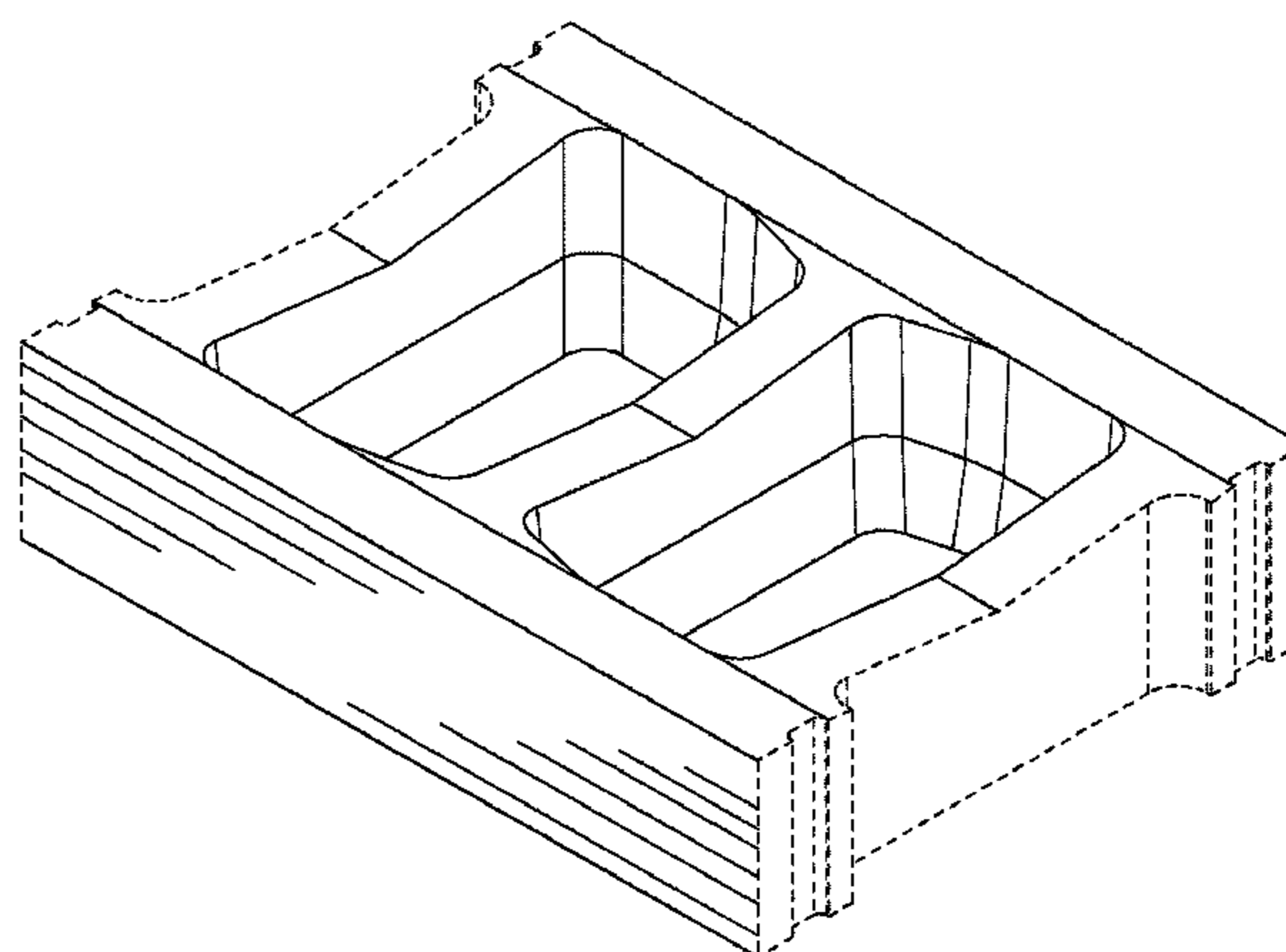
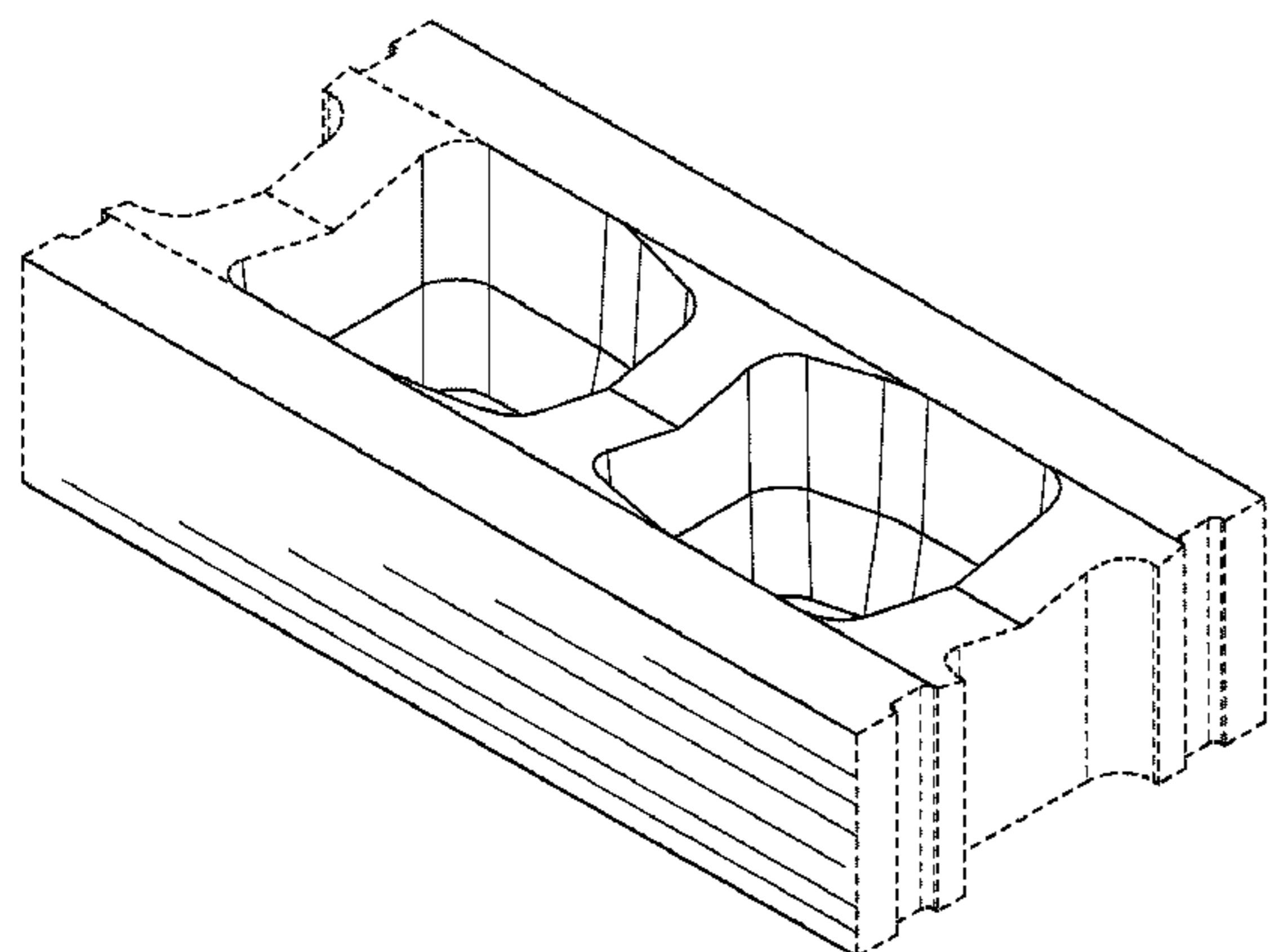
FIG. 19 shows a front view of the building unit of FIG. 16, the rear view being a mirror image of the front view; and,

FIG. 20 shows a right side view of the building unit of FIG. 16, the left side view being a mirror image of the right side view.

Portions or features of the building unit not shown in the drawings form no part of the claimed design.

The broken lines in the drawing views are included for the purpose of illustrating portions of the building unit that form no part of the claimed design

**1 Claim, 12 Drawing Sheets**



# US D633,630 S

Page 2

## U.S. PATENT DOCUMENTS

D186,371 S *	10/1959	Johnson .....	D25/116	D501,934 S *	2/2005	Mushett .....	D25/118
D192,288 S *	2/1962	Mason .....	D25/116	6,857,248 B2	2/2005	Ouellet et al.	
D200,644 S *	3/1965	Frete .....	D25/118	D514,233 S *	1/2006	Hammer .....	D25/118
D220,622 S *	5/1971	Passander .....	D25/118	D515,709 S *	2/2006	Charon .....	D25/113
D245,340 S *	8/1977	Johnson .....	D25/118	D539,927 S	4/2007	Whitson	
D255,787 S *	7/1980	Morehead, Jr. ....	D25/118	D578,224 S	10/2008	Lacas	
D265,689 S *	8/1982	Miniere .....	D25/113	D579,576 S	10/2008	Lacas	
D270,189 S *	8/1983	Khoo .....	D25/113	D584,834 S	1/2009	Lacas	
4,426,815 A *	1/1984	Brown .....	D25/115	7,658,050 B2	2/2010	Bouchard et al.	
D340,775 S *	10/1993	Sauve .....	D25/118	D615,216 S *	5/2010	Gregory et al.	
5,502,940 A	4/1996	Fifield		2005/0028476 A1	2/2005	Bouchard et al.	
6,145,266 A *	11/2000	VonDross .....	52/604	2006/0249881 A1	11/2006	Castonguay et al.	

\* cited by examiner

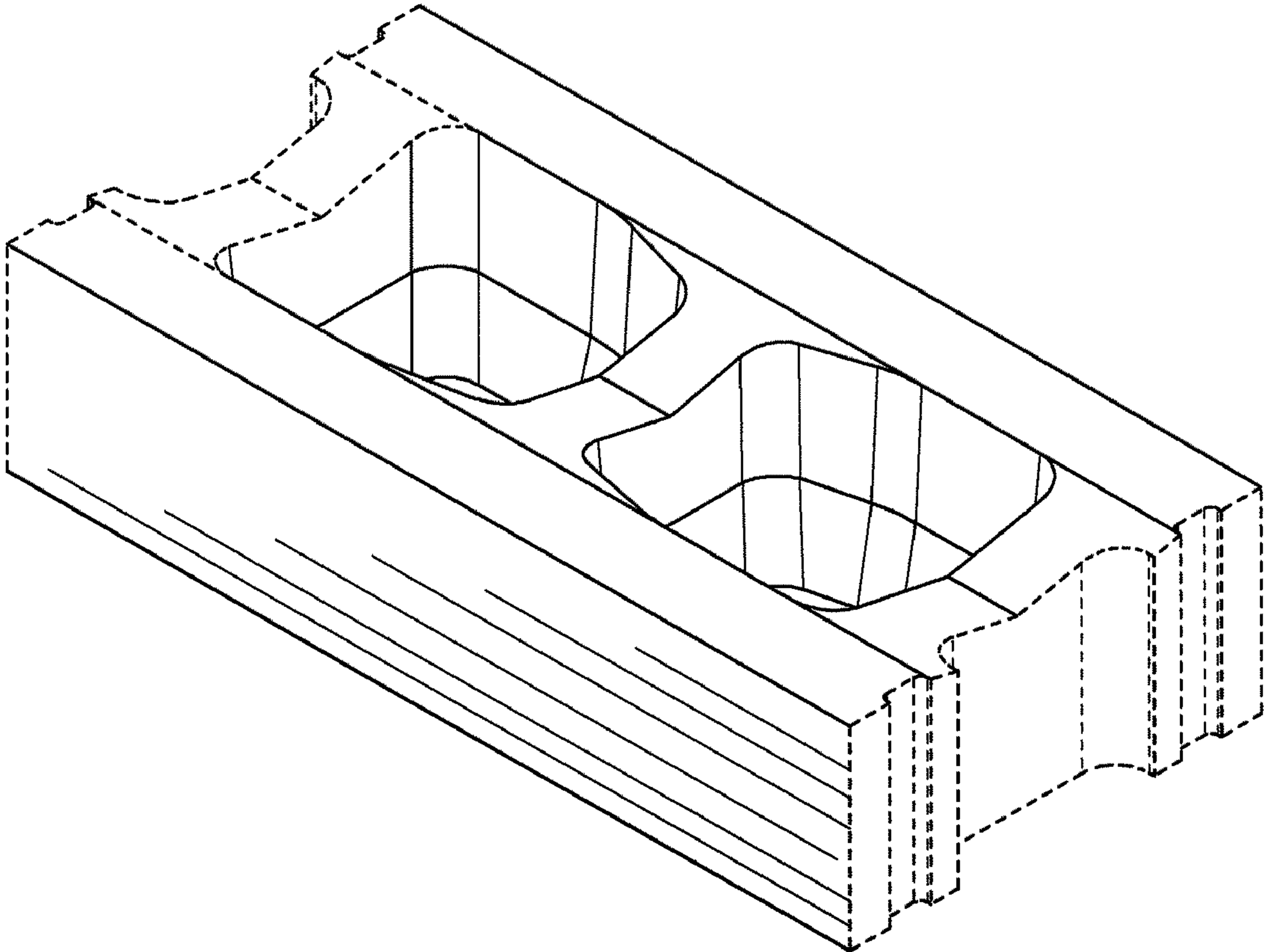


Fig. 1

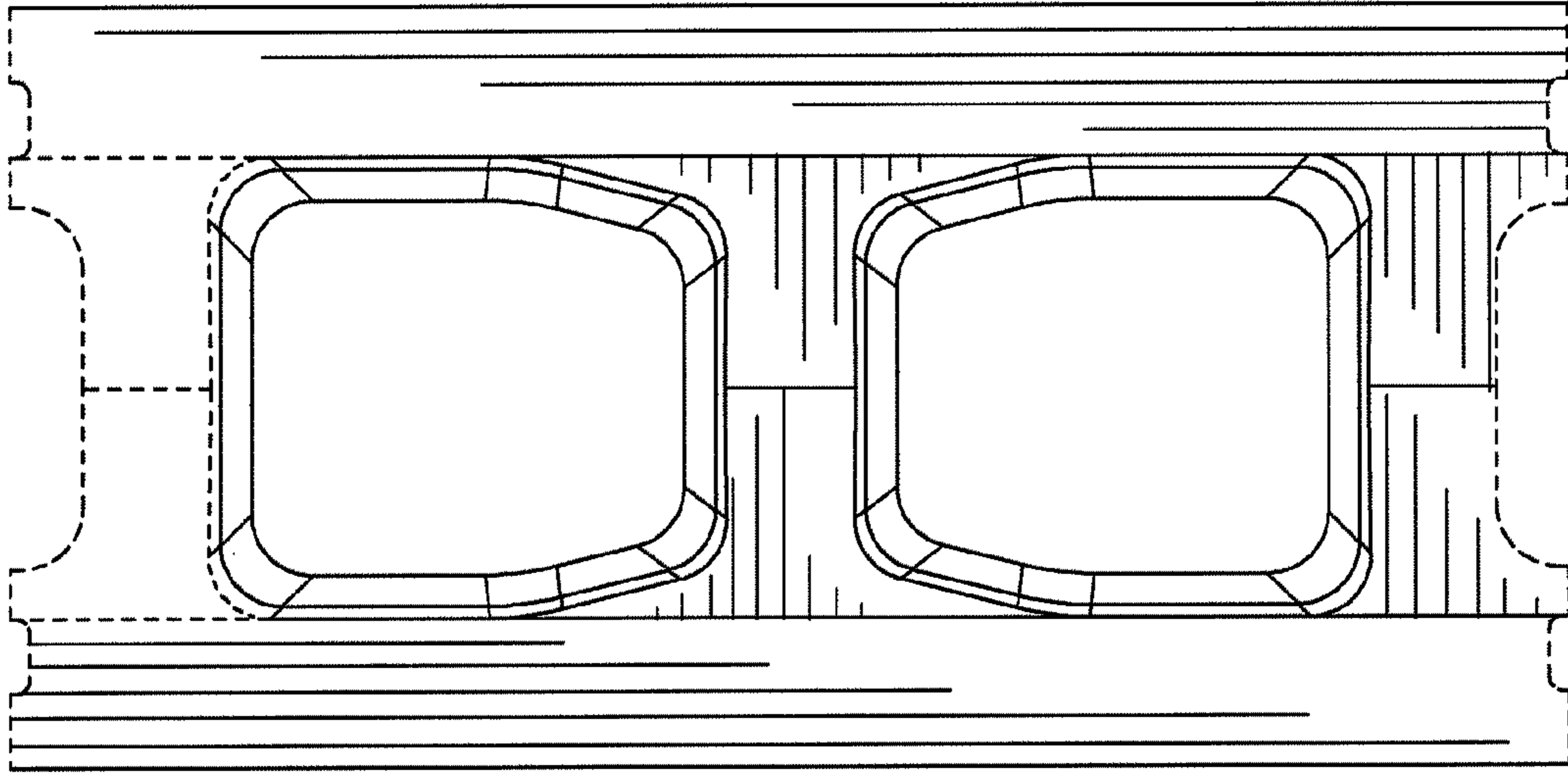


Fig. 2

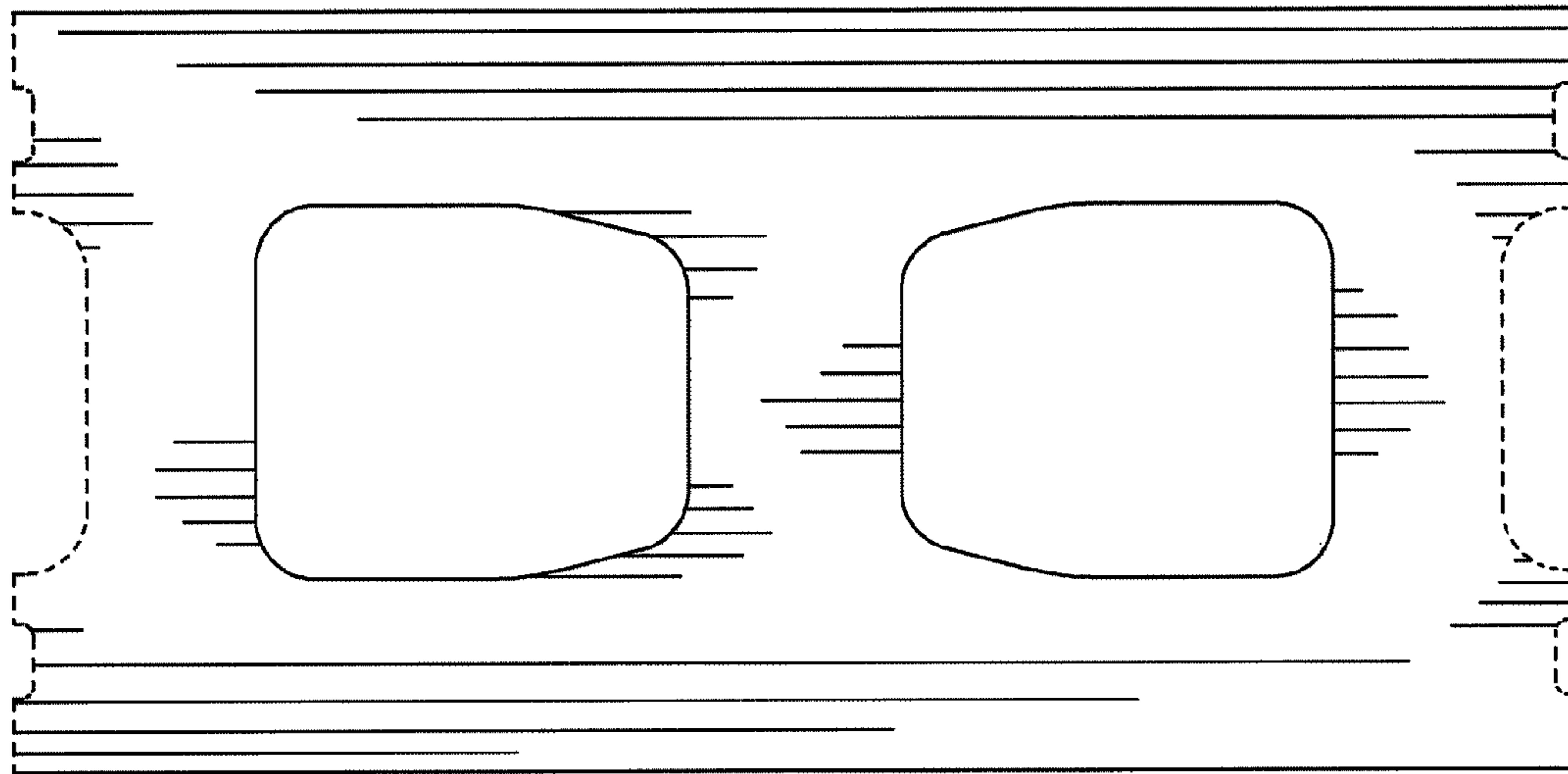


Fig. 3

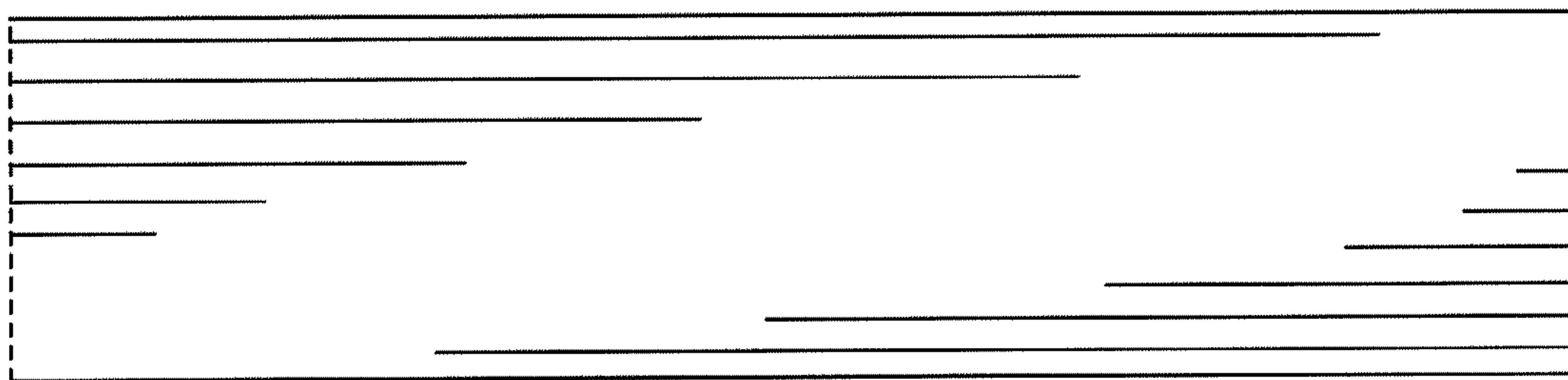


Fig. 4

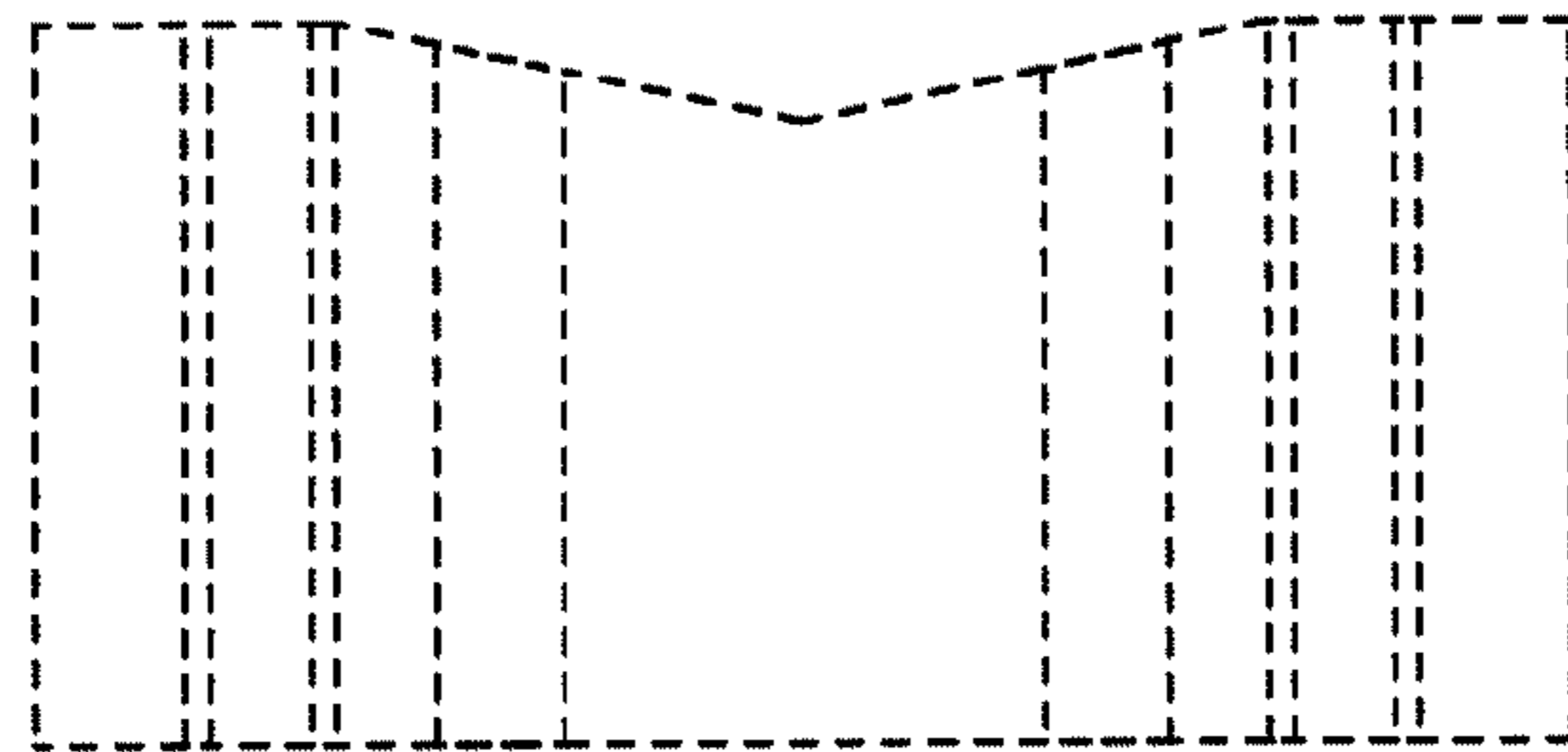


Fig. 5

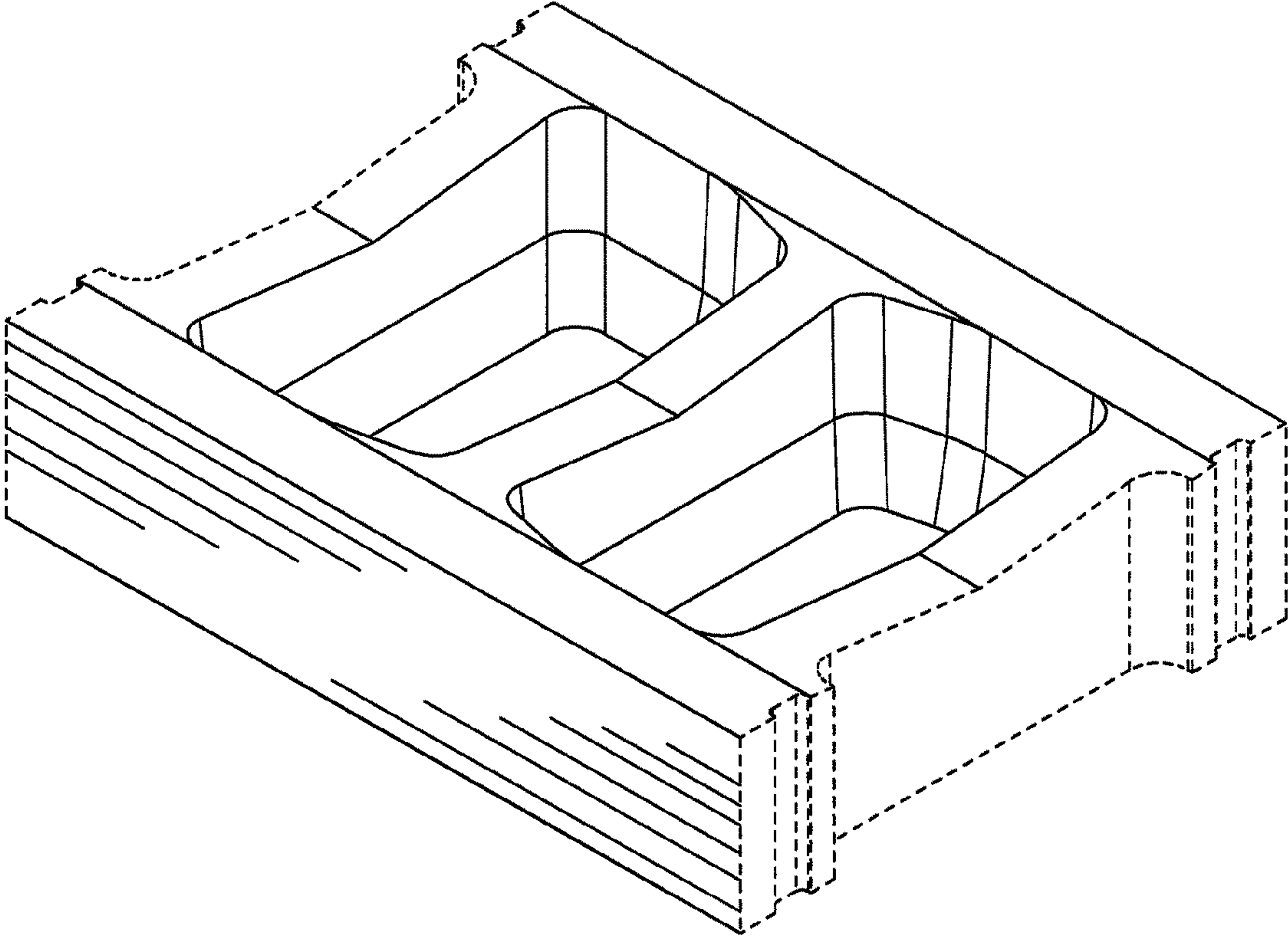


Fig. 6

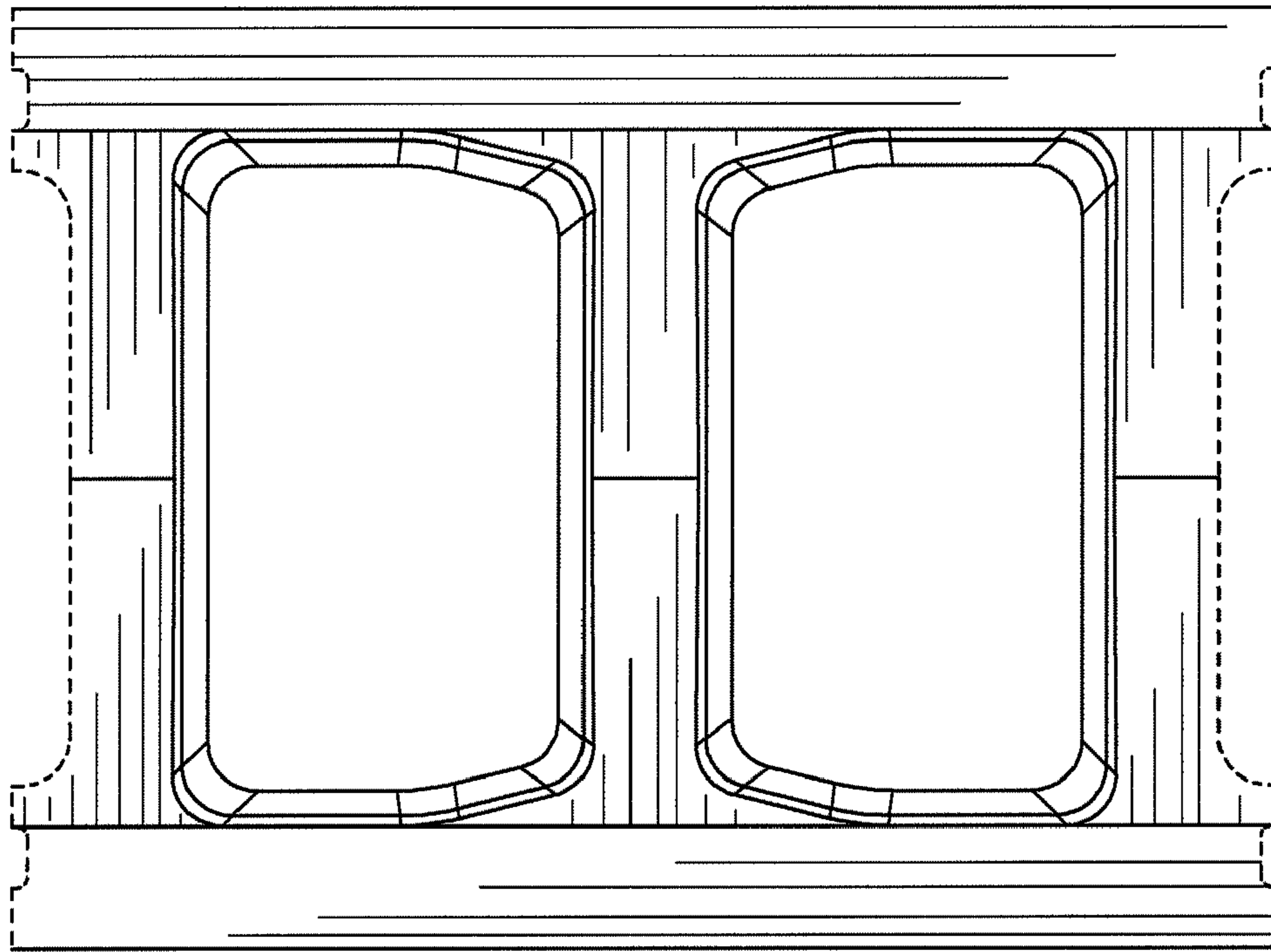


Fig. 7

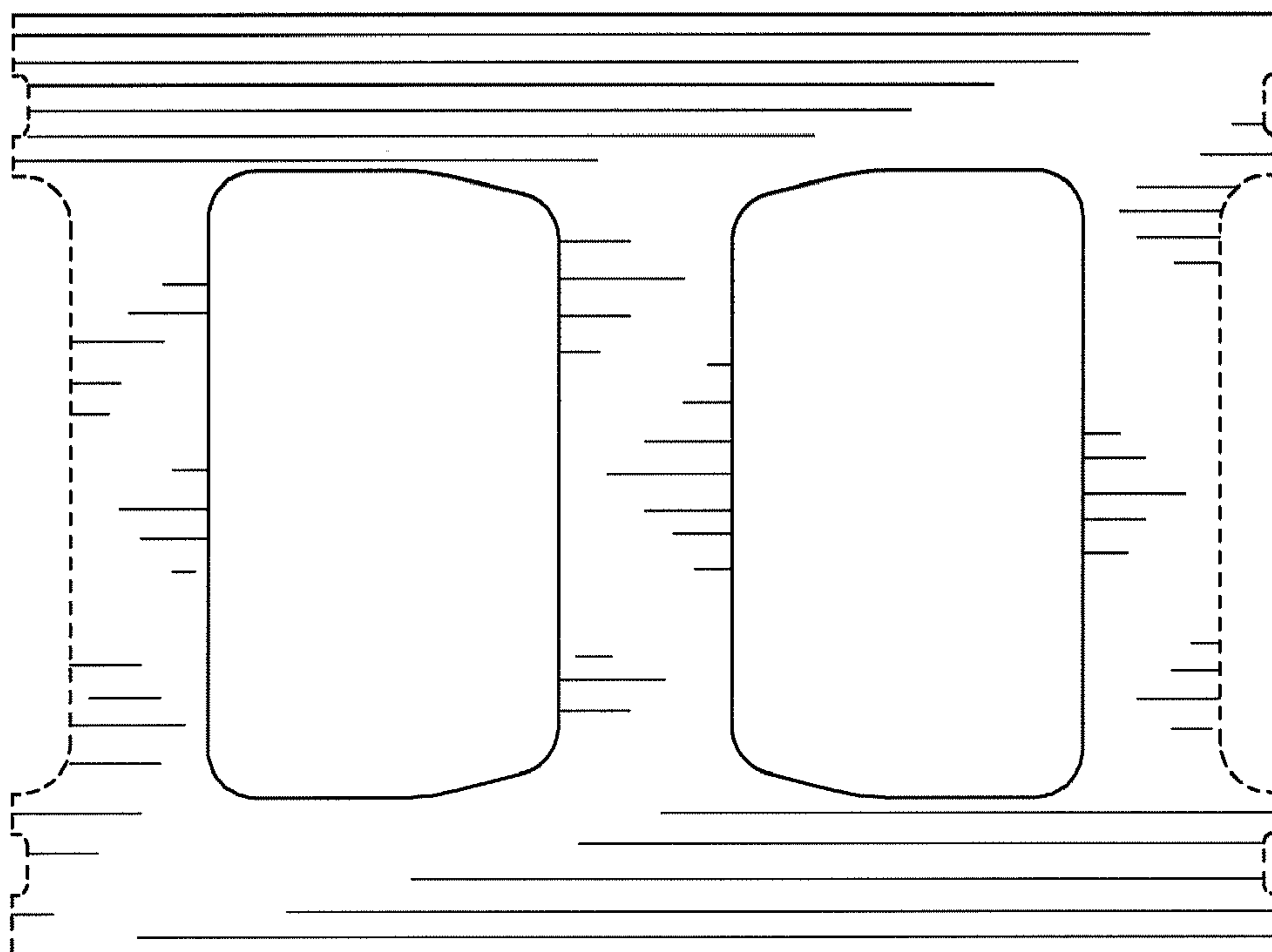


Fig. 8

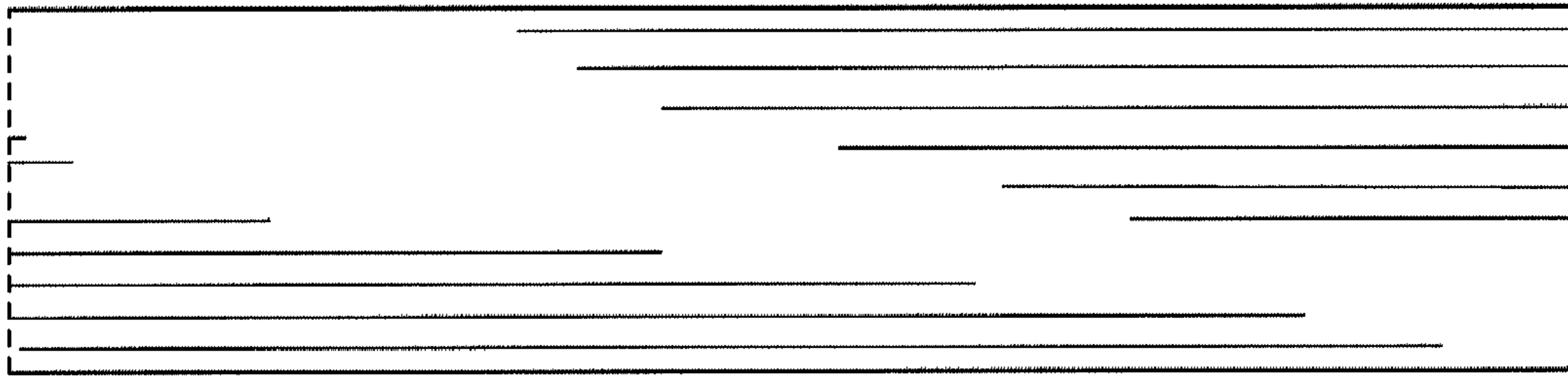


Fig. 9

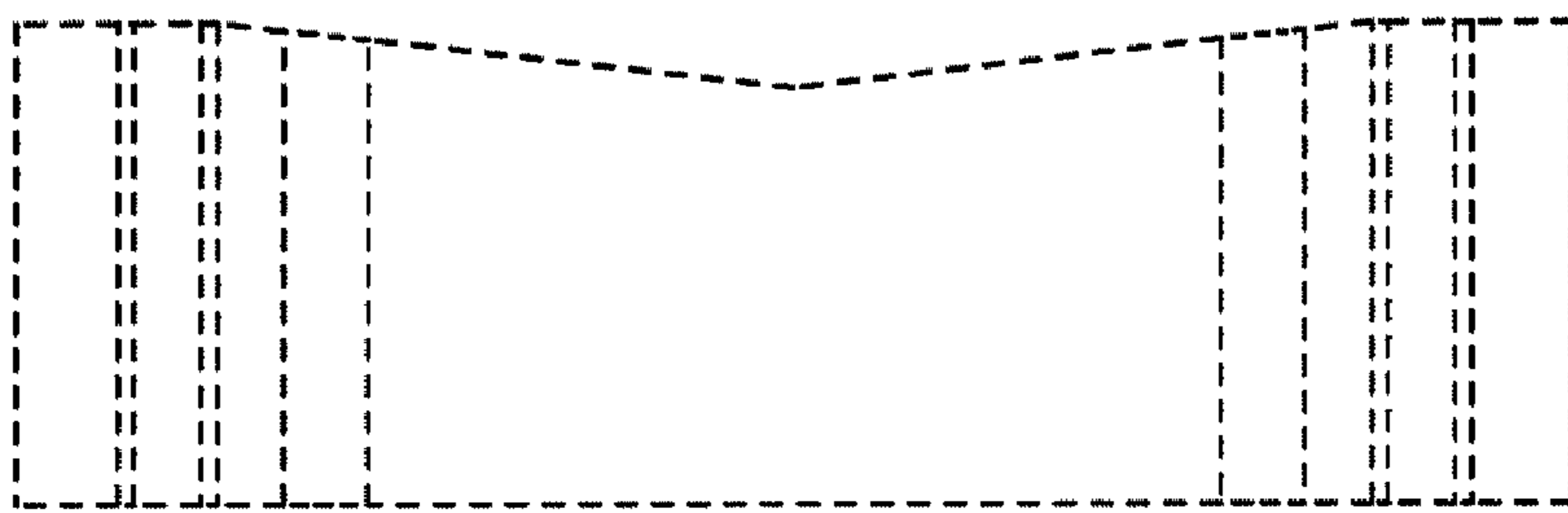


Fig. 10



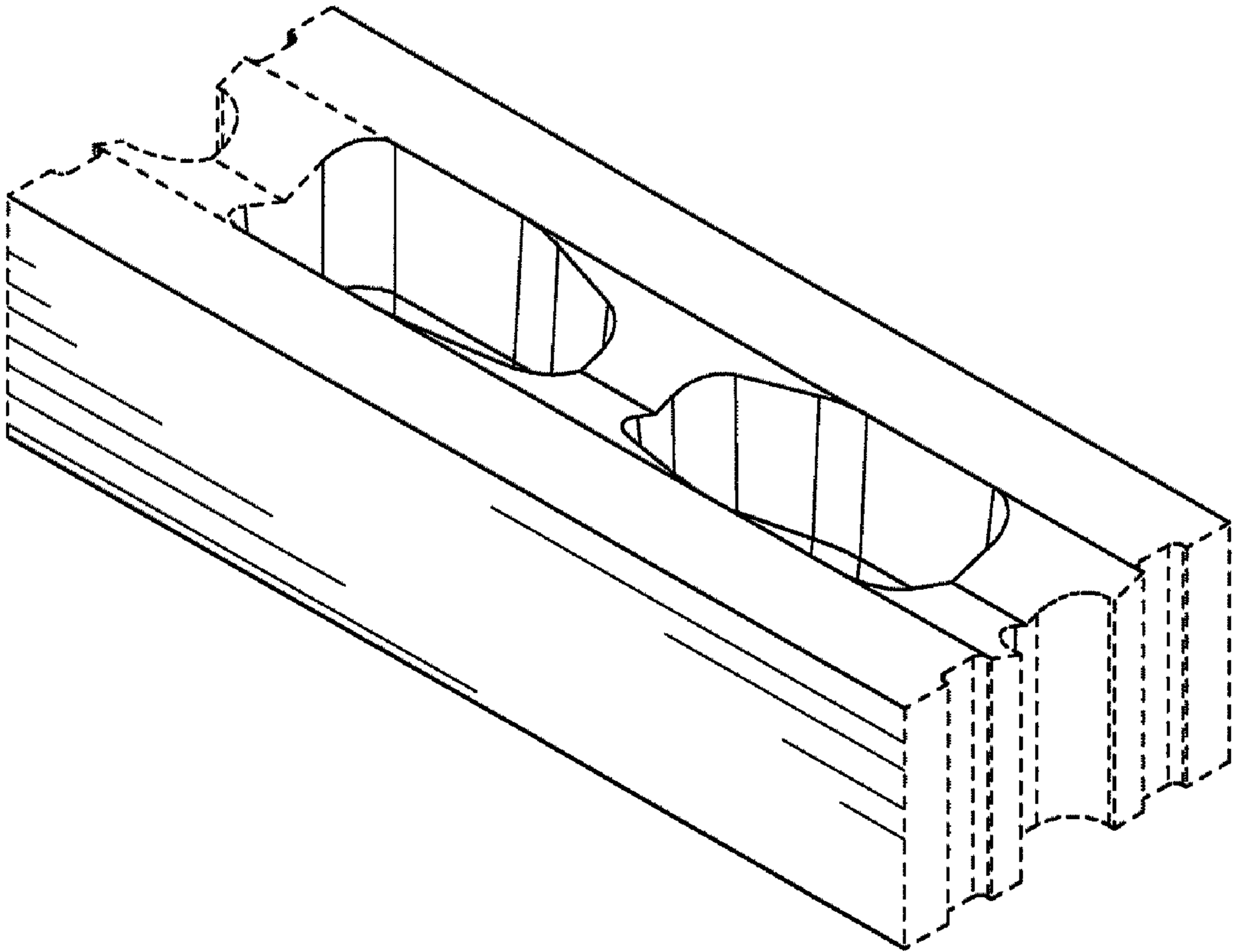


Fig. 11

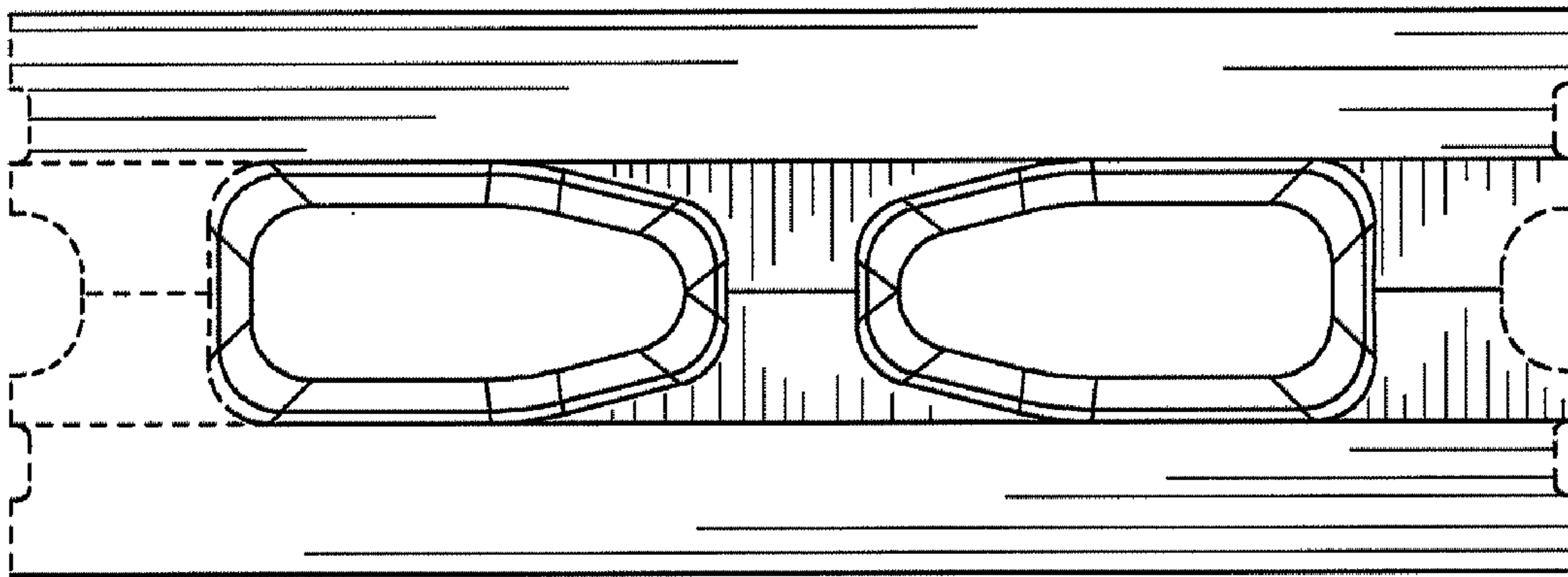


Fig. 12

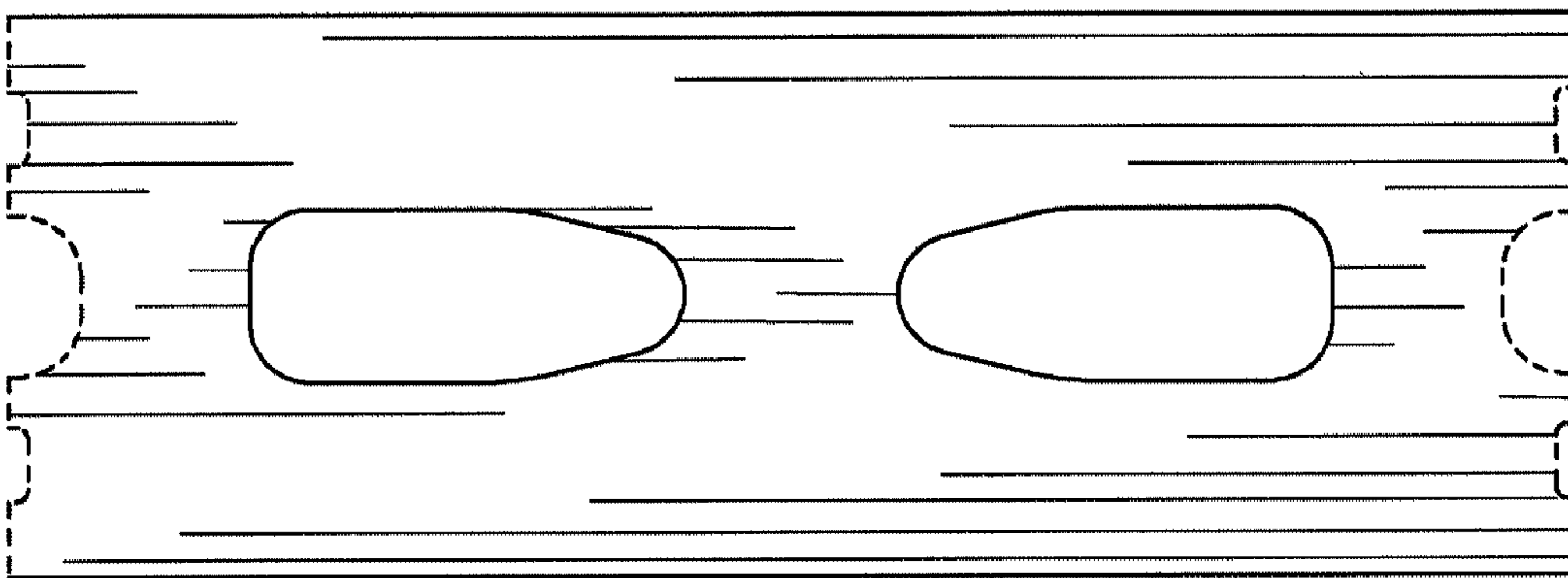


Fig. 13

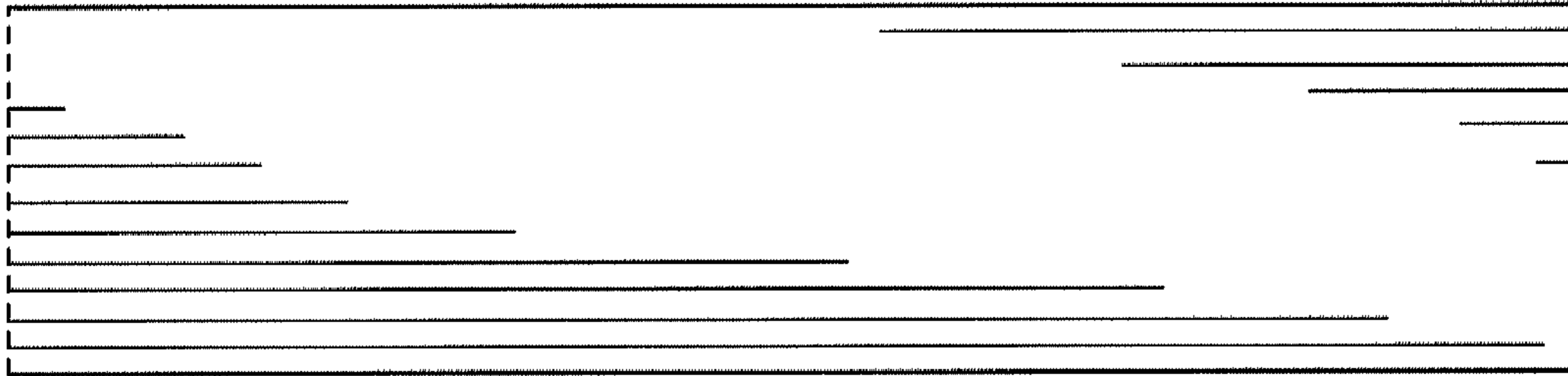


Fig. 14

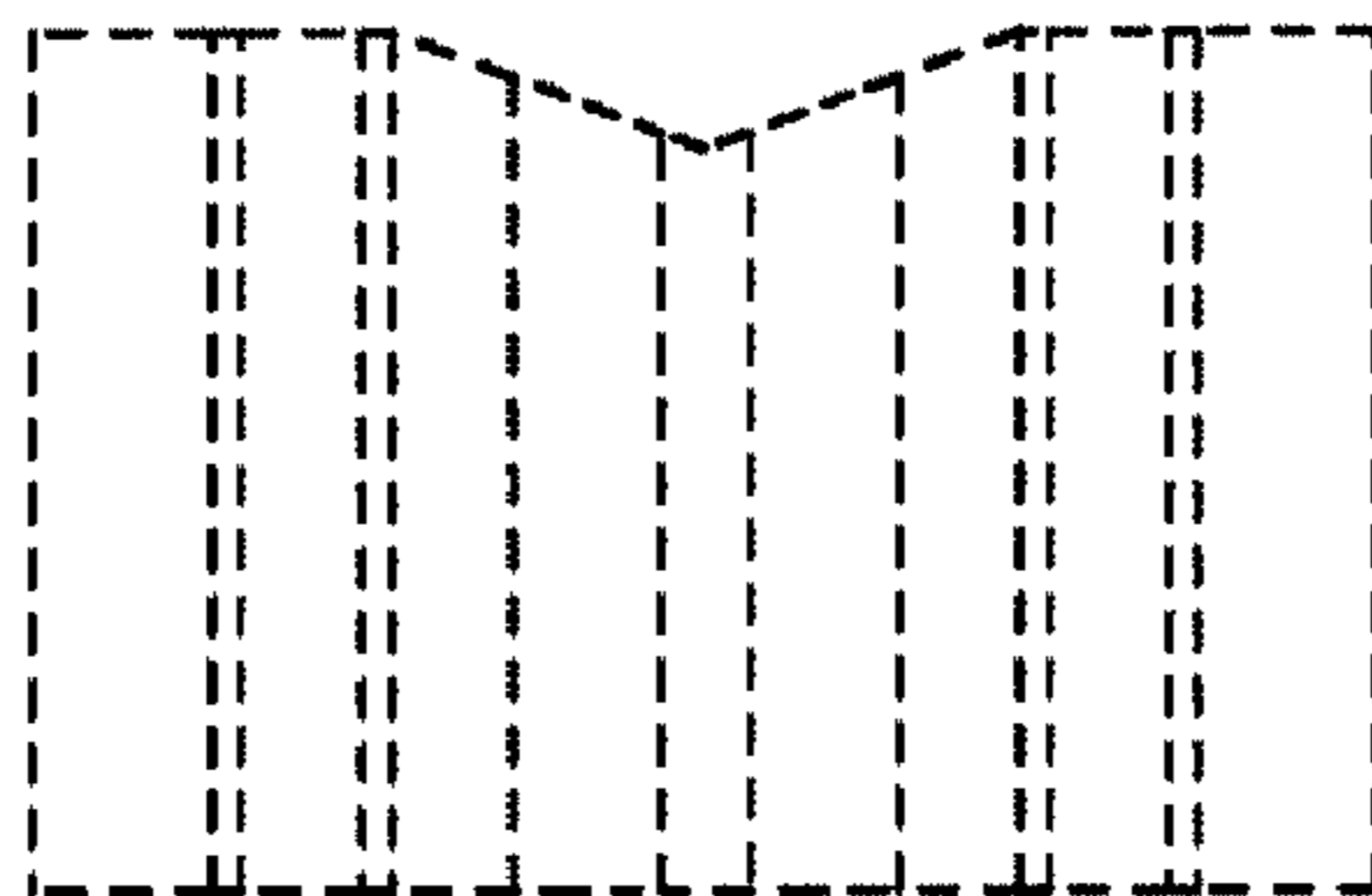


Fig. 15

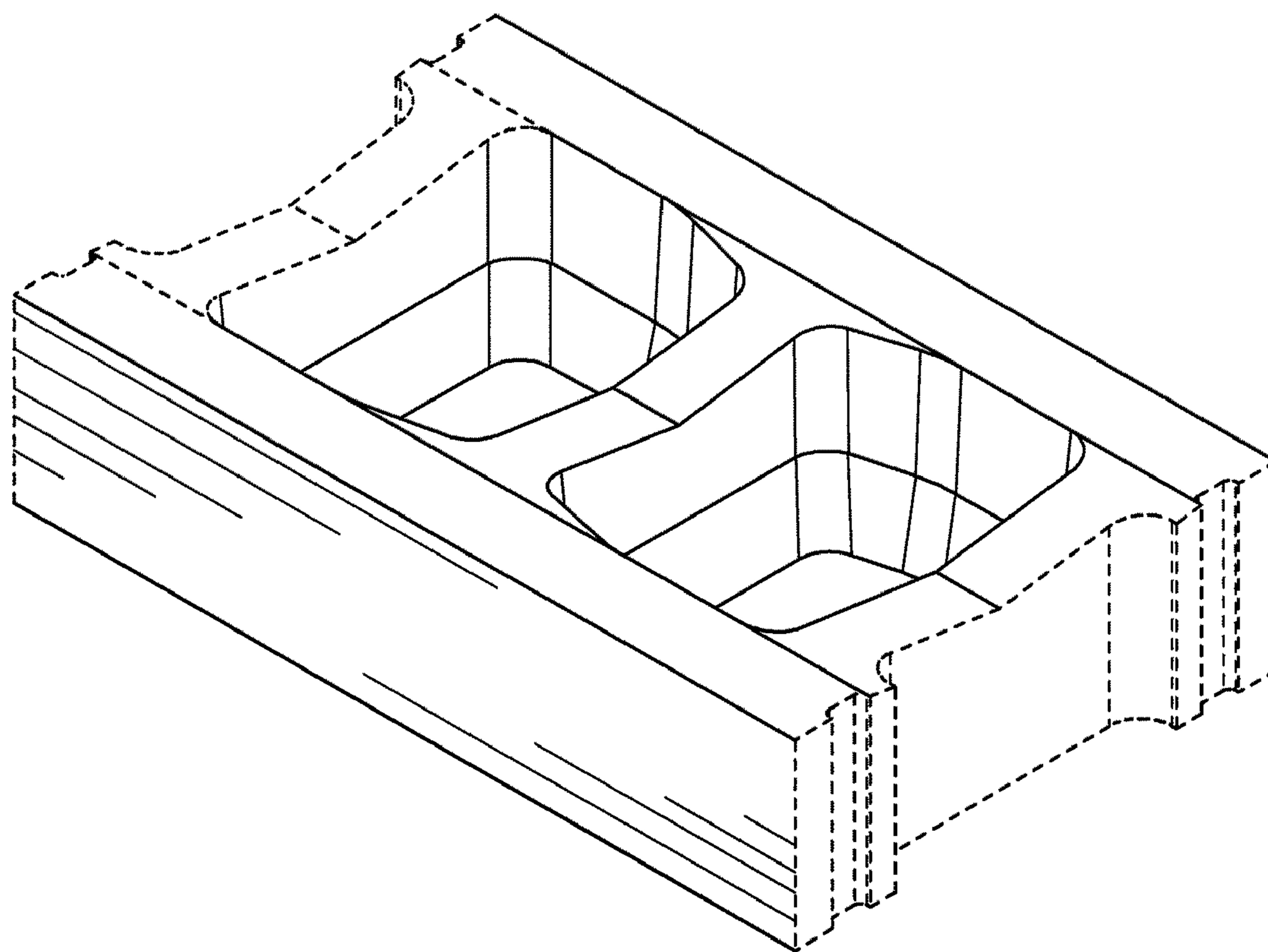


Fig. 16

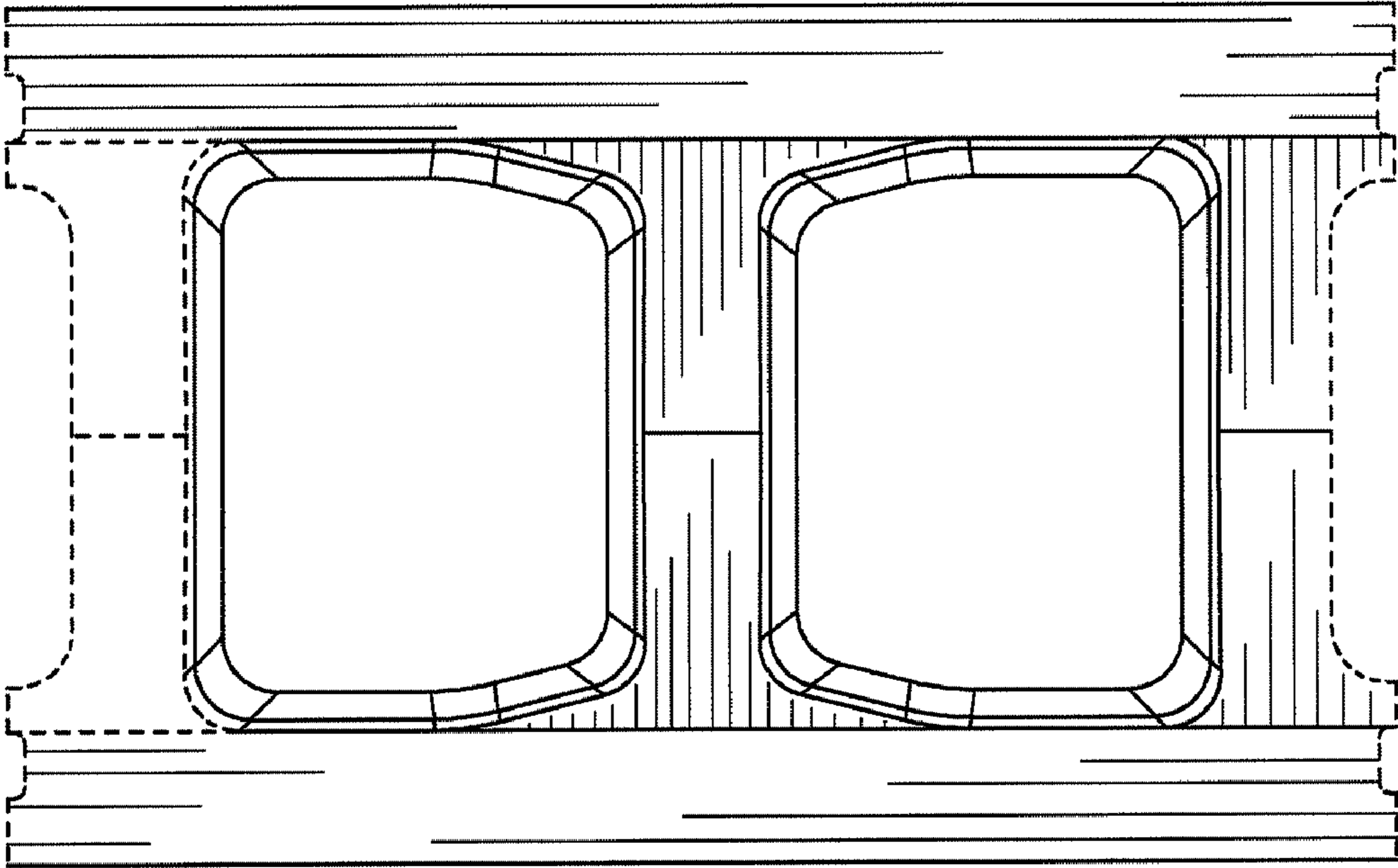


Fig. 17

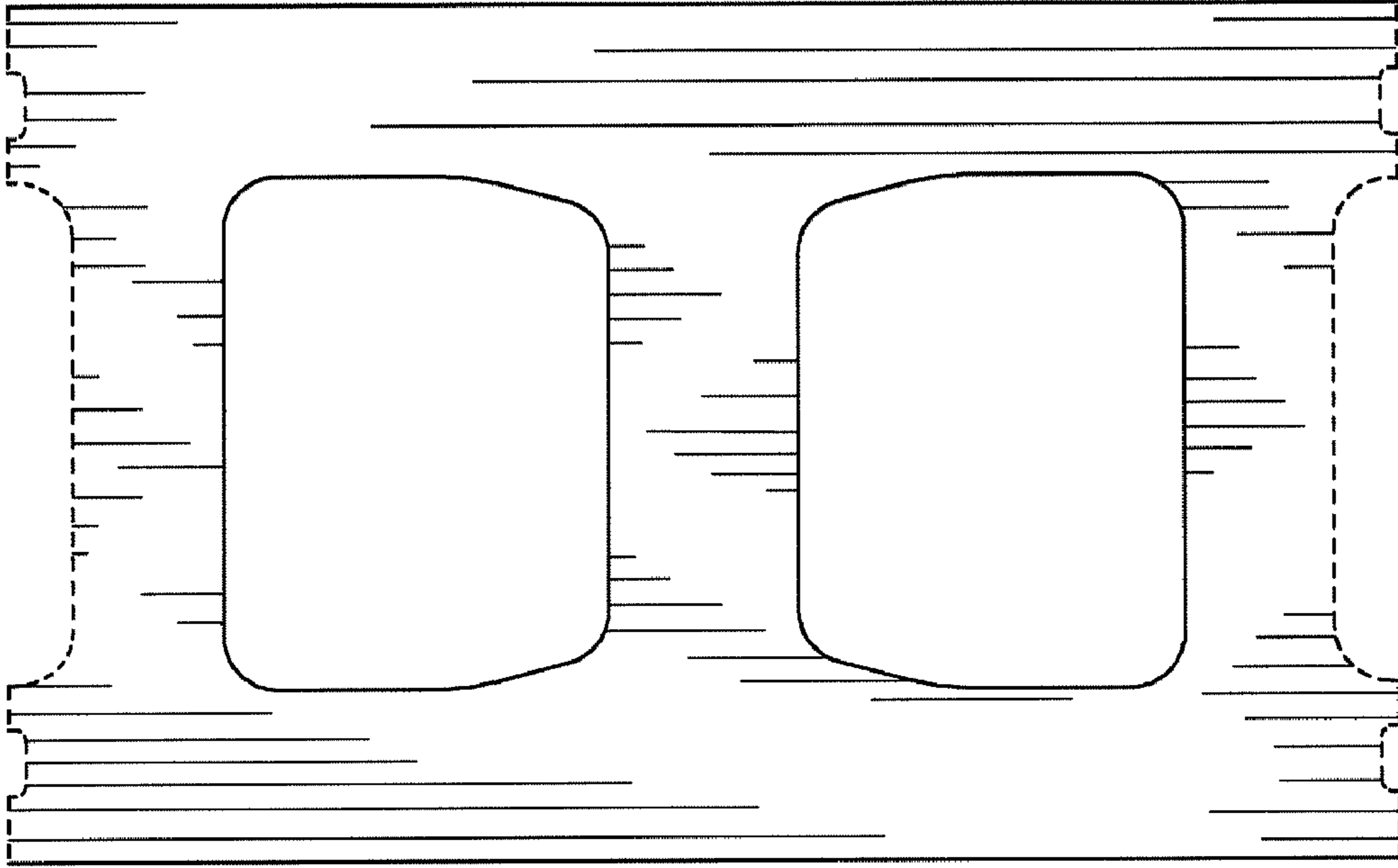


Fig. 18

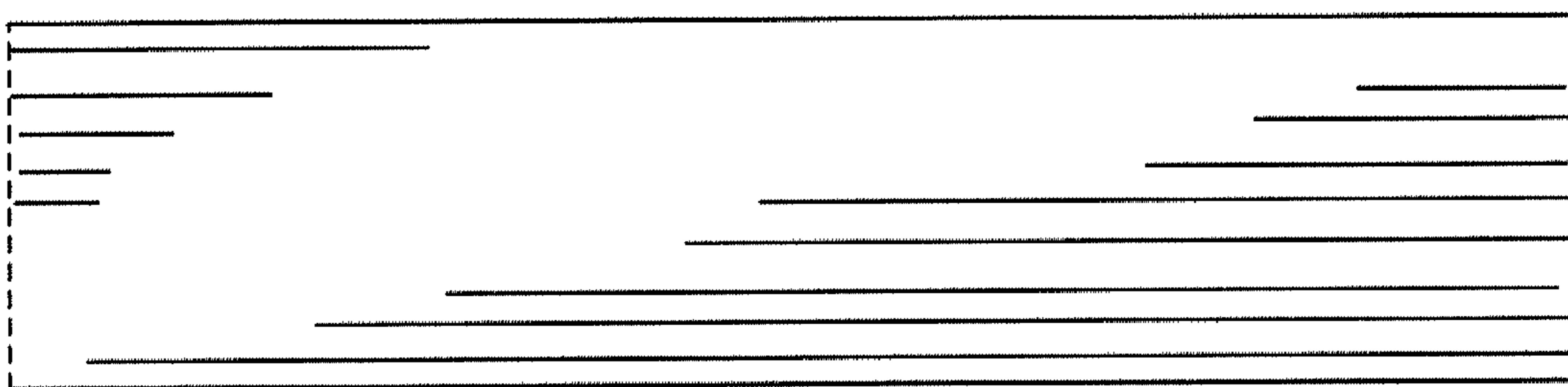


Fig. 19

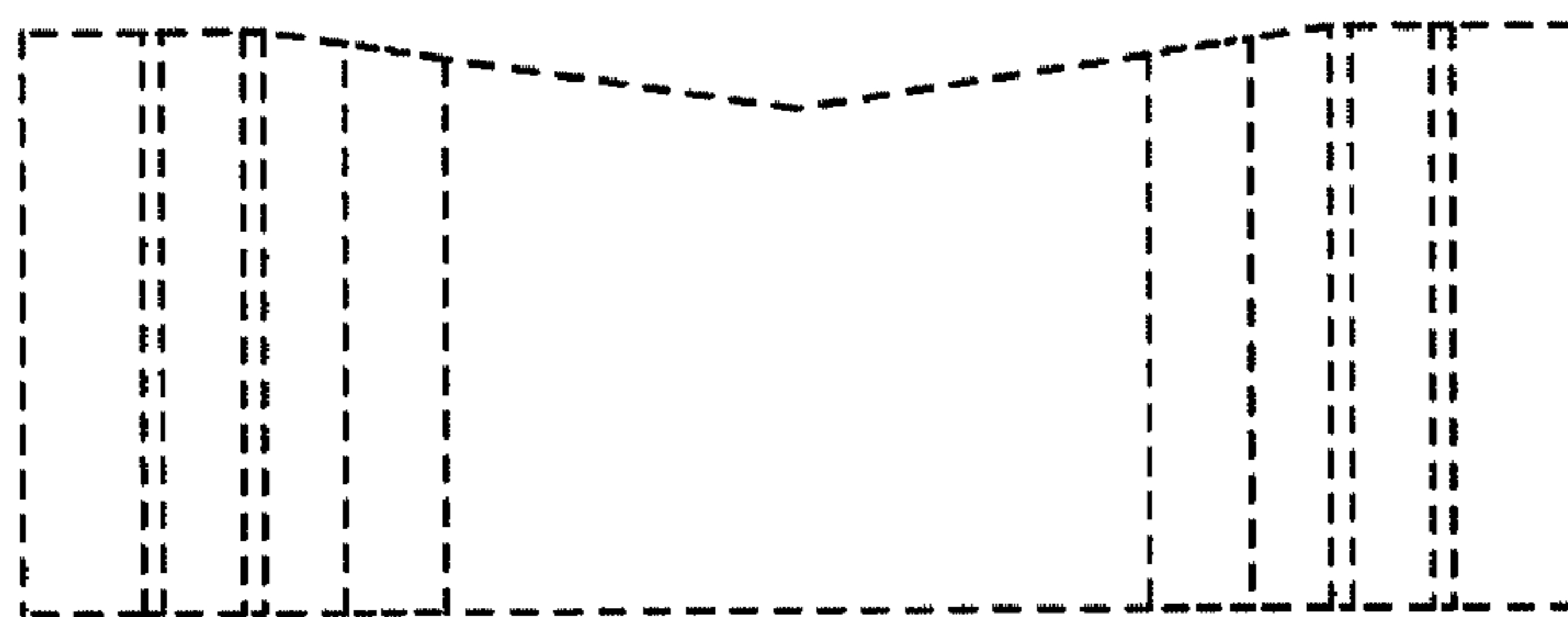


Fig. 20