



US00D633624S

(12) **United States Design Patent**
Monopoli

(10) **Patent No.:** **US D633,624 S**
(45) **Date of Patent:** **** Mar. 1, 2011**

(54) **SOFT CERVICAL COLLAR**

(76) Inventor: **Barbara J. Monopoli**, Salisbury Beach,
MA (US)

(**) Term: **14 Years**

(21) Appl. No.: **29/377,011**

(22) Filed: **Oct. 15, 2010**

(51) **LOC (9) Cl.** **24-01**

(52) **U.S. Cl.** **D24/191**

(58) **Field of Classification Search** D24/188-191,
D24/200, 206; D29/100, 101.2; D2/502,
D2/624, 627, 629, 634, 635; 602/5, 18, 19;
128/DIG. 23, 101.1; 2/44-45, 300, 338,
2/463-465; D21/662

See application file for complete search history.

(56) **References Cited**

U.S. PATENT DOCUMENTS

1,616,961	A *	2/1927	Carter	607/109
2,725,054	A *	11/1955	Harpel	604/289
3,374,785	A *	3/1968	Gaylord, Jr.	602/18
3,696,810	A *	10/1972	Gaylord, Jr.	602/18
3,921,626	A *	11/1975	Neel	602/18
5,275,581	A *	1/1994	Bender	602/18
D352,114	S *	11/1994	Nicholson	D24/190
D393,719	S *	4/1998	Nichols	D24/207
5,843,008	A *	12/1998	Gerhard	602/5
D408,542	S *	4/1999	Hoover, Jr.	D24/206

5,976,098	A *	11/1999	Sereboff	602/18
D435,911	S *	1/2001	Yeager	D24/206
D469,541	S *	1/2003	Ceatham	D24/191
D475,139	S *	5/2003	Myoga	D24/191
6,926,686	B2 *	8/2005	Ceatham	602/18
7,048,705	B2 *	5/2006	Pillai	602/18
D569,079	S *	5/2008	Whong	D2/502
D582,045	S *	12/2008	James	D24/191
2009/0299242	A1 *	12/2009	Hasegawa	602/18

* cited by examiner

Primary Examiner—Susan E Krakower

(74) *Attorney, Agent, or Firm*—QuickPatents, Inc.; Kevin Prince

(57) **CLAIM**

What is claimed is the ornamental design for a soft cervical collar, as shown and described.

DESCRIPTION

FIG. 1 is an exploded perspective view of a soft cervical collar, showing the new design;

FIG. 2 is a front elevational view thereof;

FIG. 3 is a rear elevational view thereof;

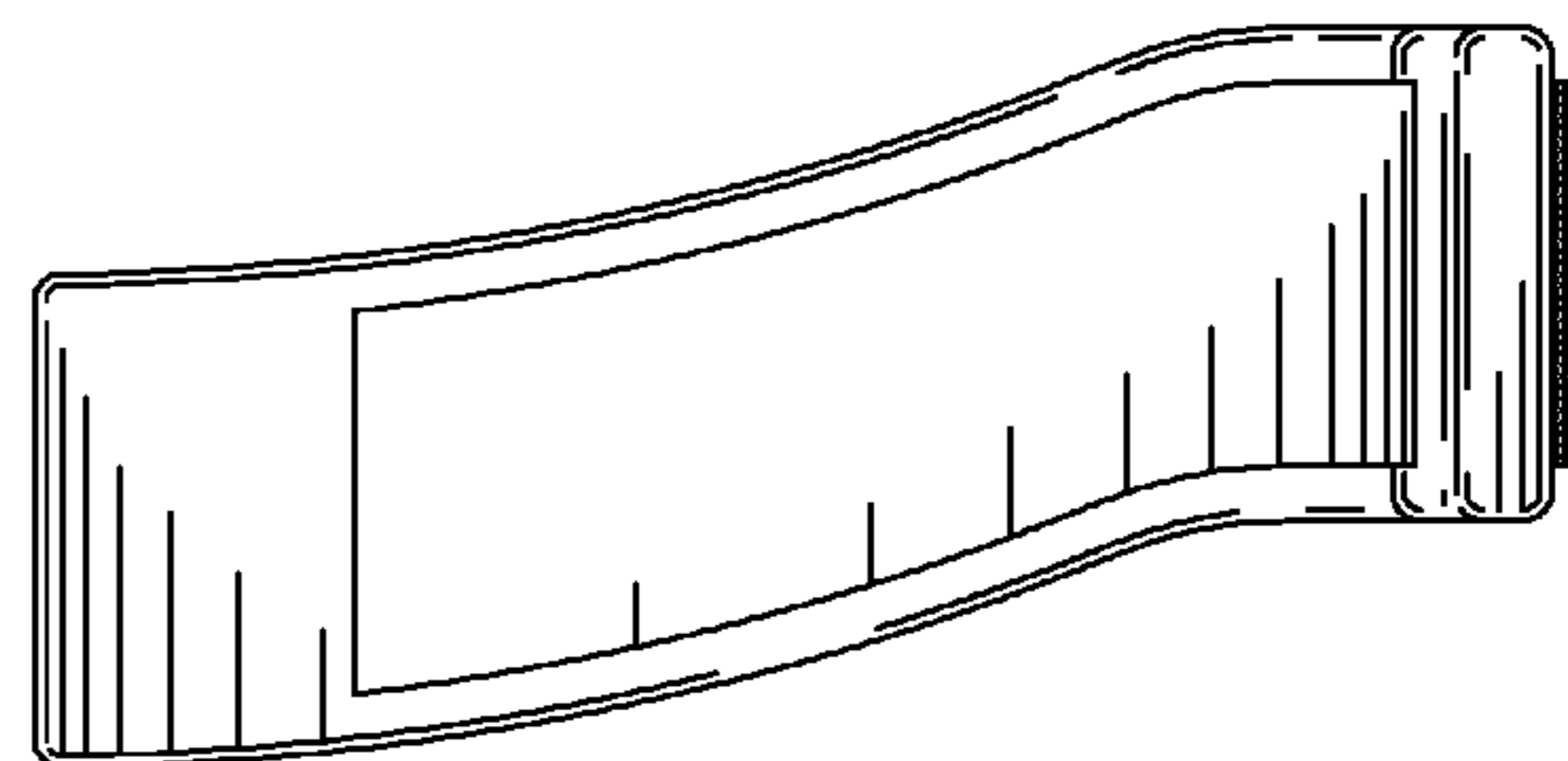
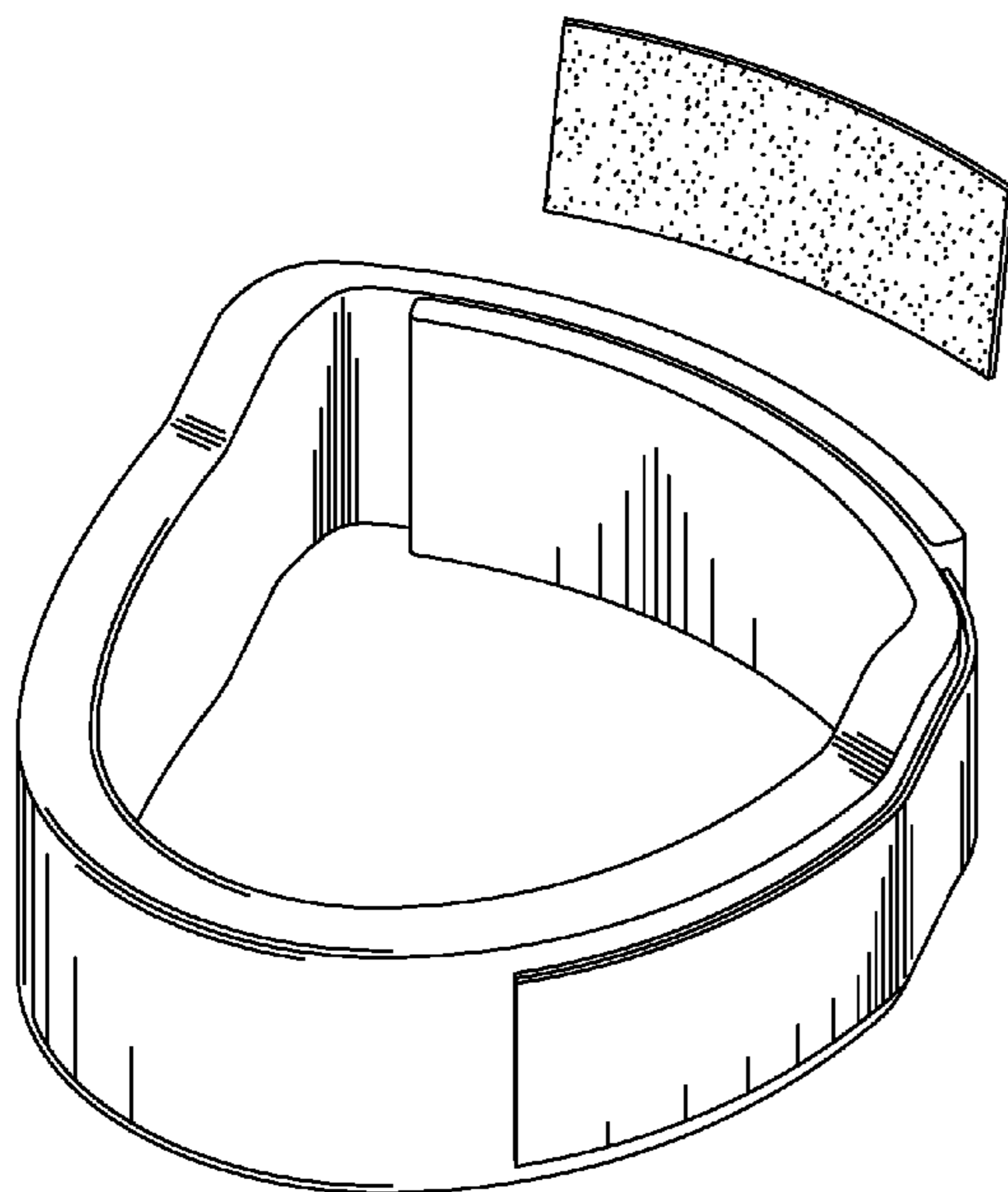
FIG. 4 is an exploded right-side elevational view thereof;

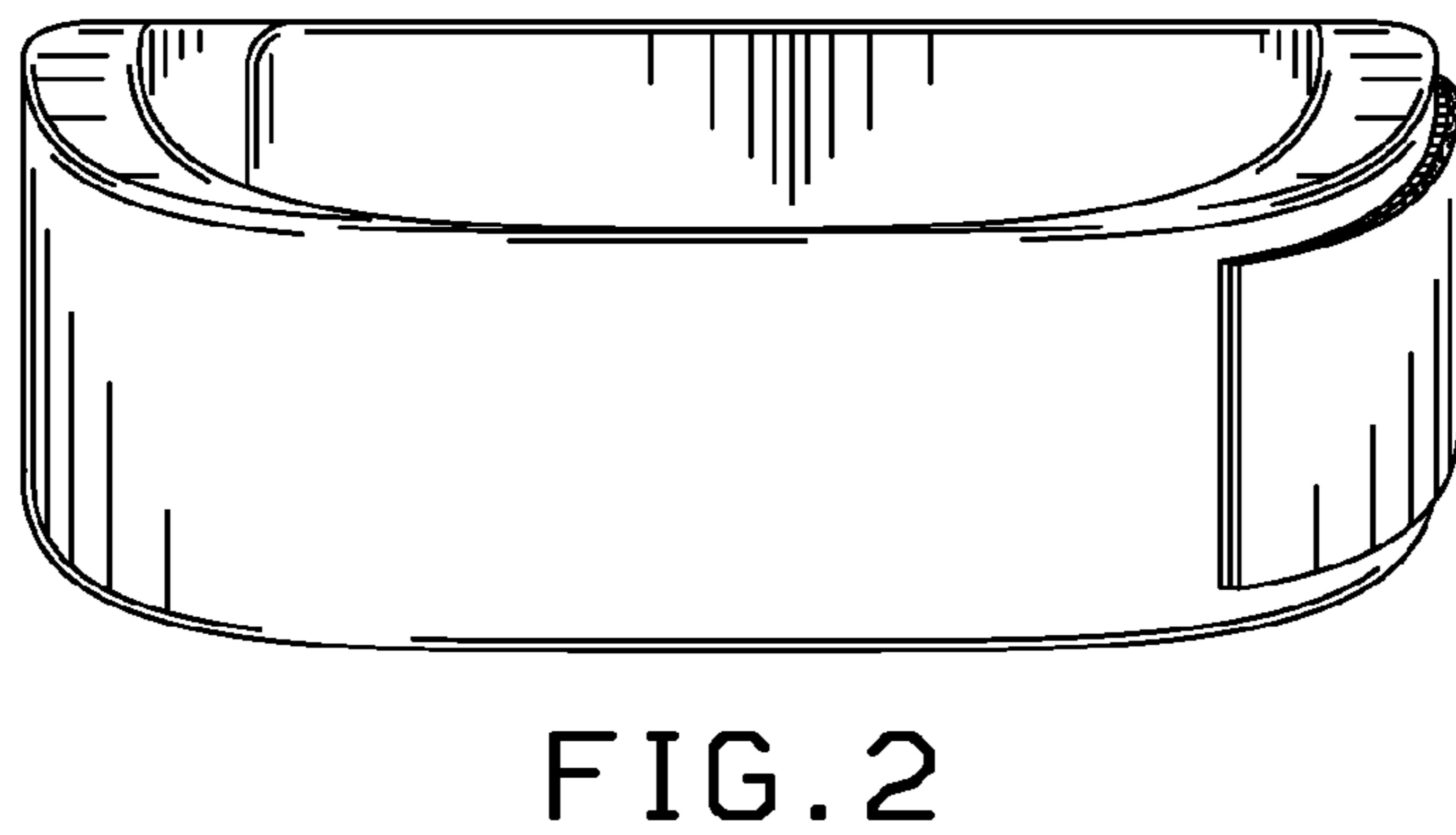
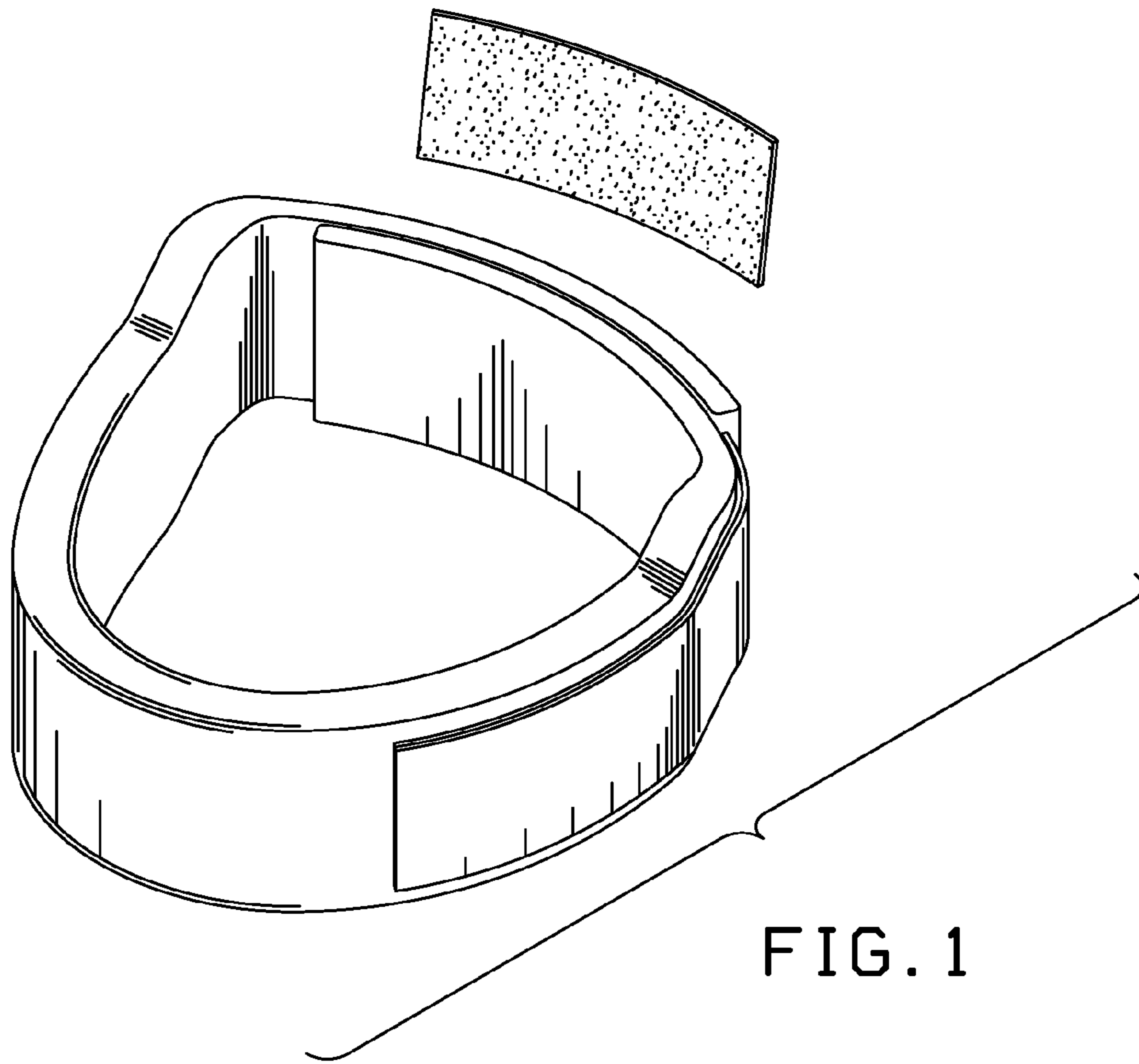
FIG. 5 is a left-side elevational view thereof;

FIG. 6 is a top plan view thereof; and,

FIG. 7 is a bottom plan view thereof.

1 Claim, 3 Drawing Sheets





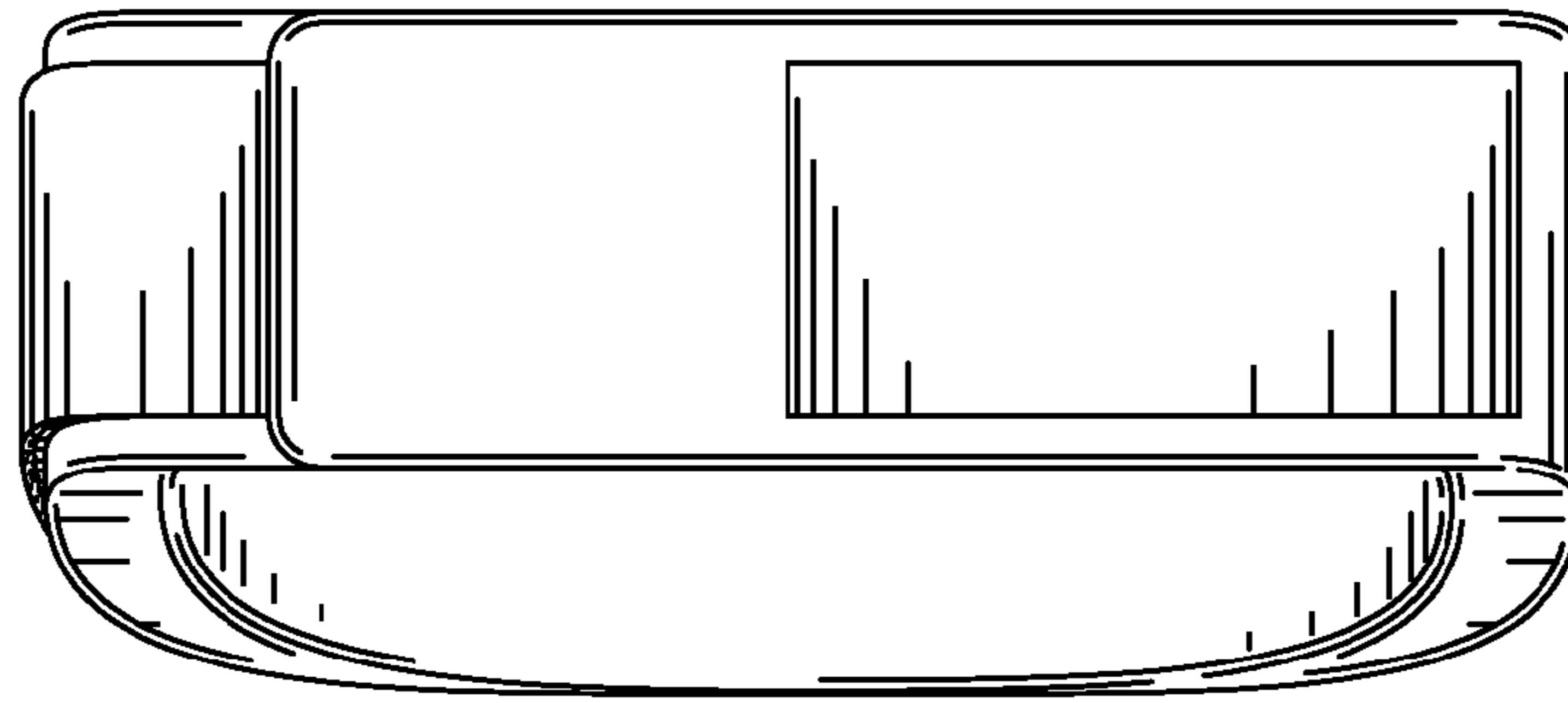


FIG. 3

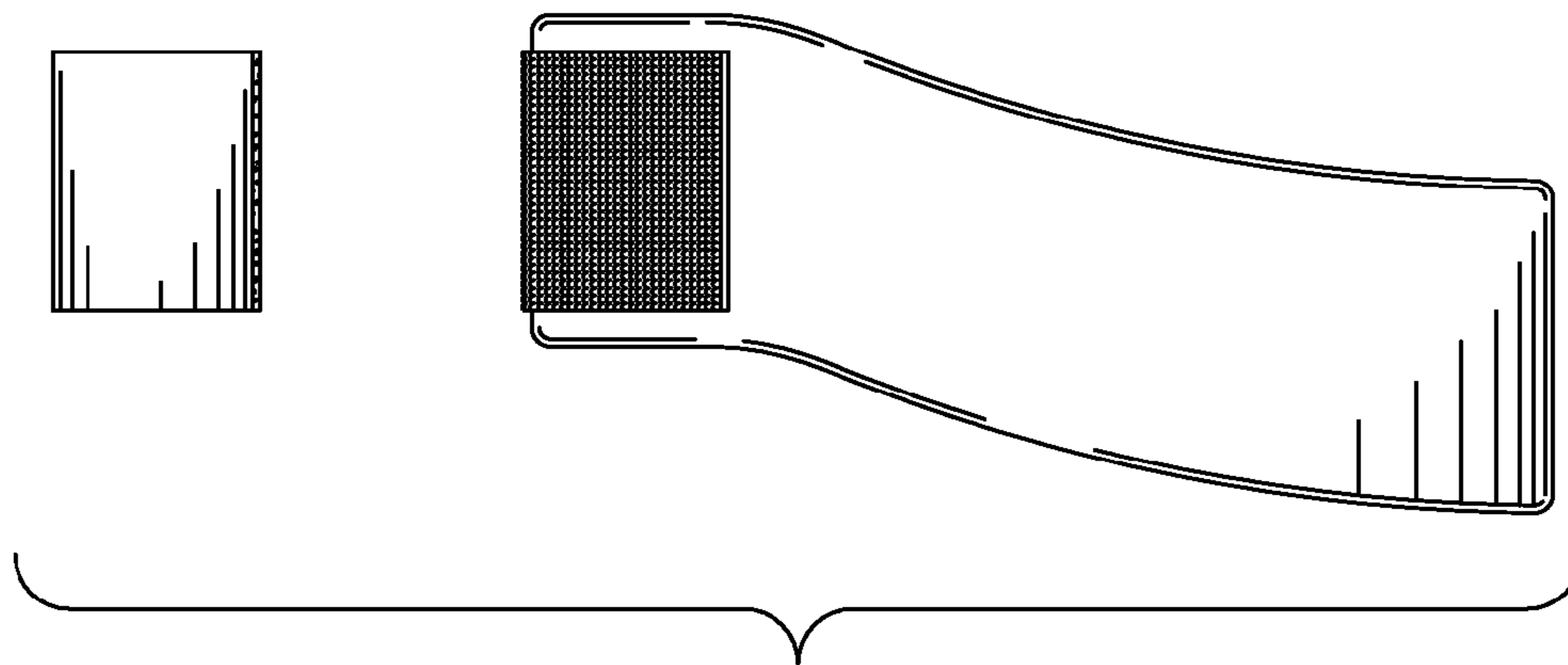


FIG. 4

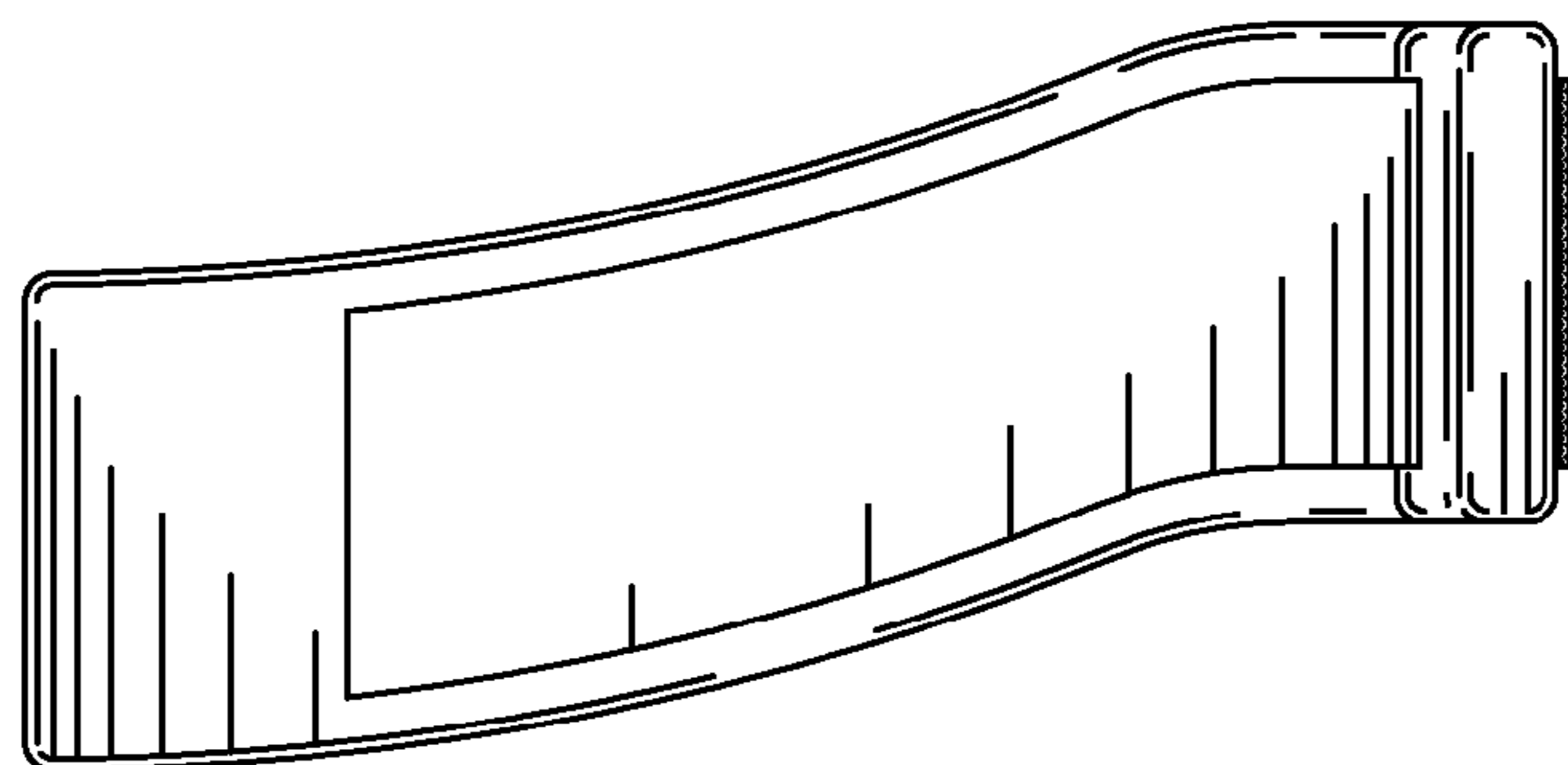


FIG. 5

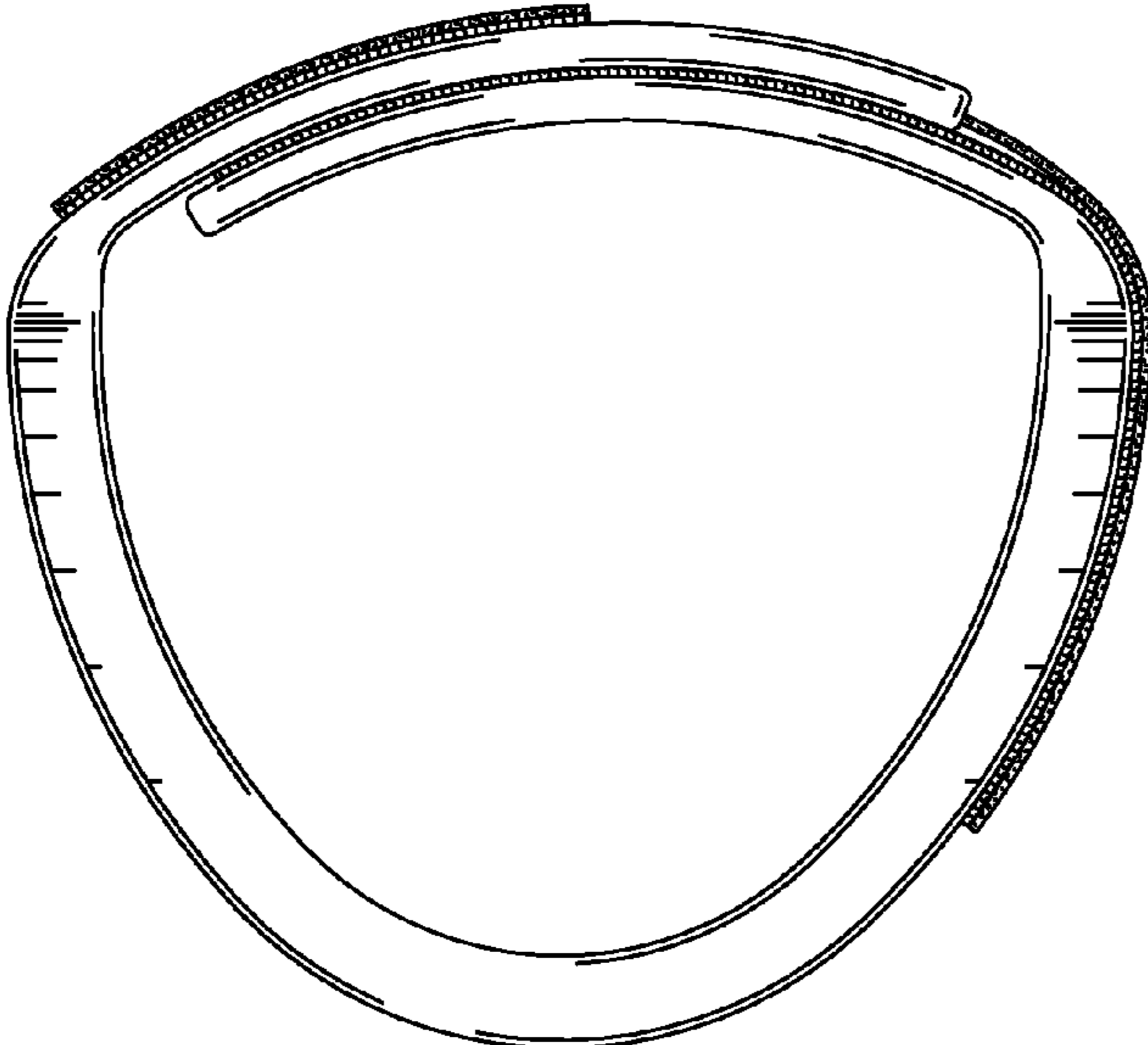


FIG. 6

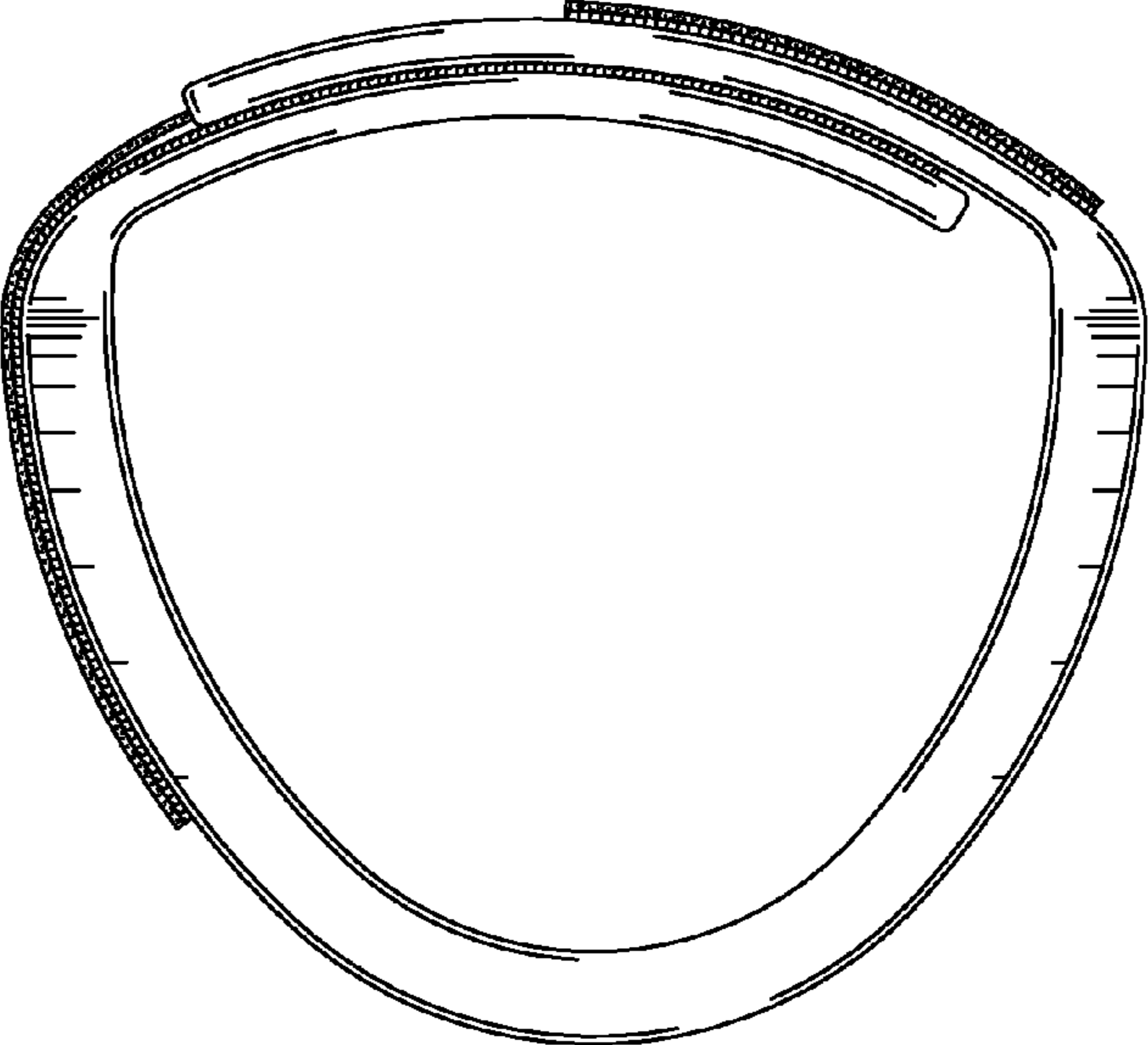


FIG. 7