



US00D633620S

(12) **United States Design Patent**
Avett et al.

(10) **Patent No.:** **US D633,620 S**
(45) **Date of Patent:** **** Mar. 1, 2011**

(54) **ADJUSTABLE BREAST SUPPORT APPARATUS**

(76) Inventors: **Randall D. Avett**, St. Louis, MO (US);
Sarah E. Deweese, O'Fallon, MO (US)

(**) Term: **14 Years**

(21) Appl. No.: **29/366,392**

(22) Filed: **Jul. 23, 2010**

(51) **LOC (9) Cl.** **24-01**

(52) **U.S. Cl.** **D24/183**

(58) **Field of Classification Search** D24/183-184,
D24/188, 190, 192, 231, 140, 172, 128; D2/701,
D2/706; 5/632, 648; 601/34; 602/16, 23,
602/33, 36, 38, 40; 128/845

See application file for complete search history.

(56) **References Cited**

U.S. PATENT DOCUMENTS

D376,428 S *	12/1996	Lipson et al.	D24/183
D535,030 S *	1/2007	Brefka et al.	D24/184
D561,341 S *	2/2008	Riley	D24/184
D561,427 S *	2/2008	Saraceno et al.	D2/706
D565,734 S *	4/2008	Scott	D24/183
D578,220 S *	10/2008	Ebarb	D24/184
D584,820 S *	1/2009	Scott	D24/183
D595,931 S *	7/2009	Reed	D2/701
D603,967 S *	11/2009	Berry et al.	D24/184
D604,420 S *	11/2009	Riley	D24/183

D612,942 S *	3/2010	Verdon-Roe	D24/172
D615,278 S *	5/2010	Reed	D24/190
D622,377 S *	8/2010	Jackson	D24/128
D625,006 S *	10/2010	Tragesser	D24/140

* cited by examiner

Primary Examiner—T. Chase Nelson

Assistant Examiner—Mark Cavanna

(74) *Attorney, Agent, or Firm*—Kevin L. Klug

(57) **CLAIM**

The ornamental design for an adjustable breast support apparatus, as shown and described.

DESCRIPTION

FIG. 1 is a rear top left perspective view of an adjustable breast support apparatus;

FIG. 2 is a rear bottom left perspective view thereof;

FIG. 3 is a front top left perspective view thereof;

FIG. 4 is a front bottom left perspective view thereof;

FIG. 5 is a rear plan view thereof;

FIG. 6 is a front plan view thereof;

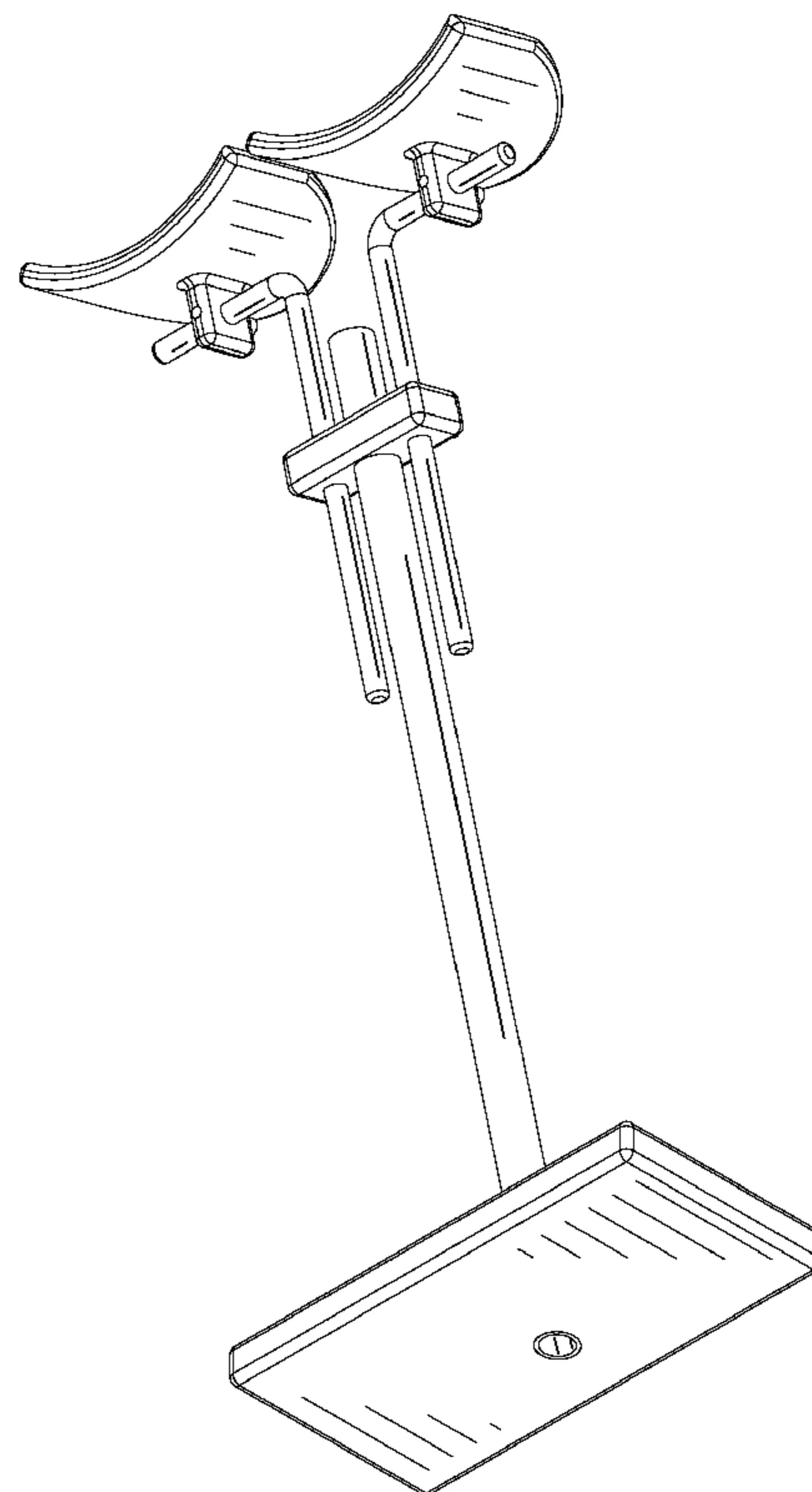
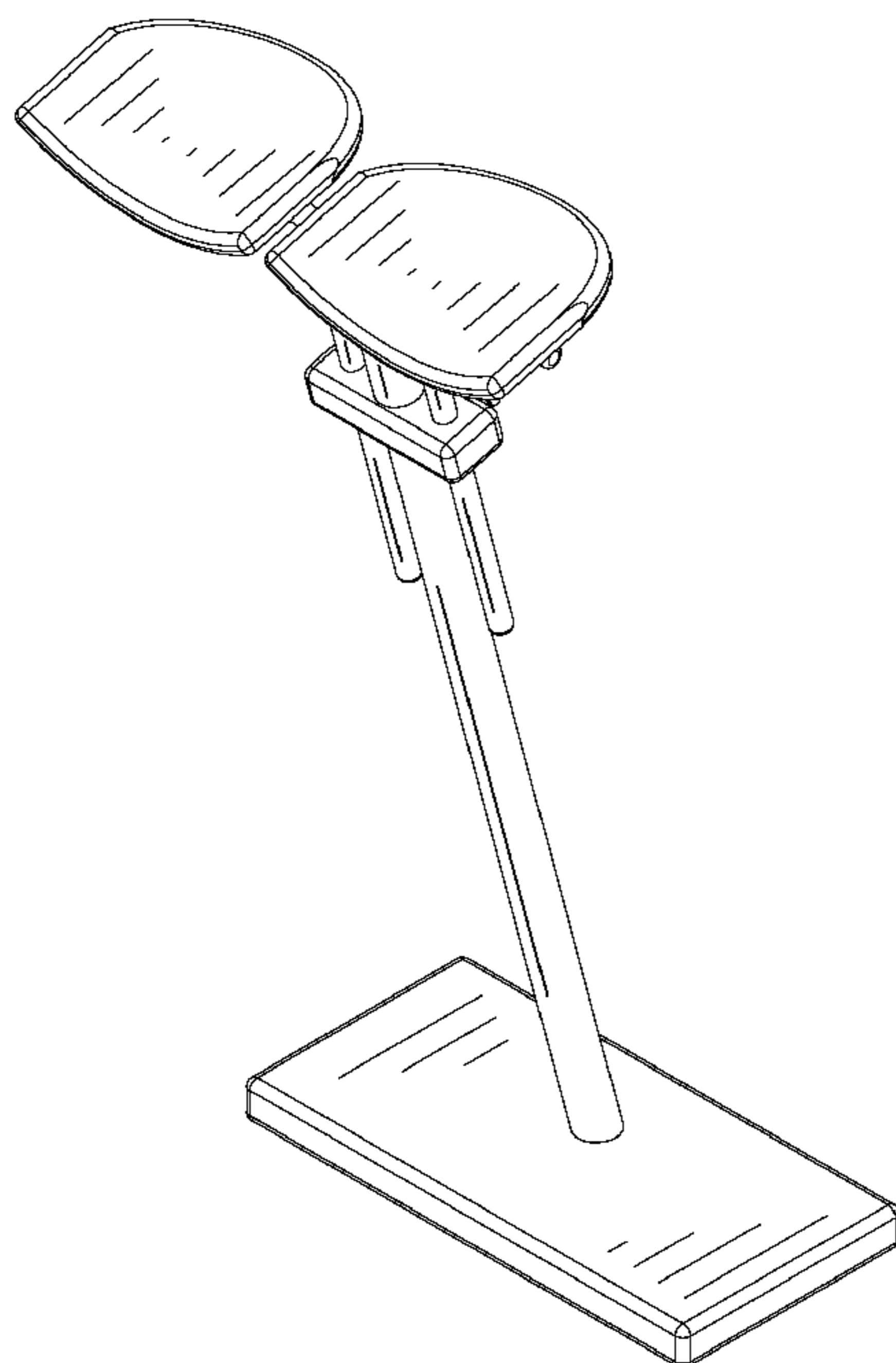
FIG. 7 is a right plan view thereof;

FIG. 8 is a left plan view thereof;

FIG. 9 is a top plan view thereof; and,

FIG. 10 is a bottom plan view thereof.

1 Claim, 10 Drawing Sheets



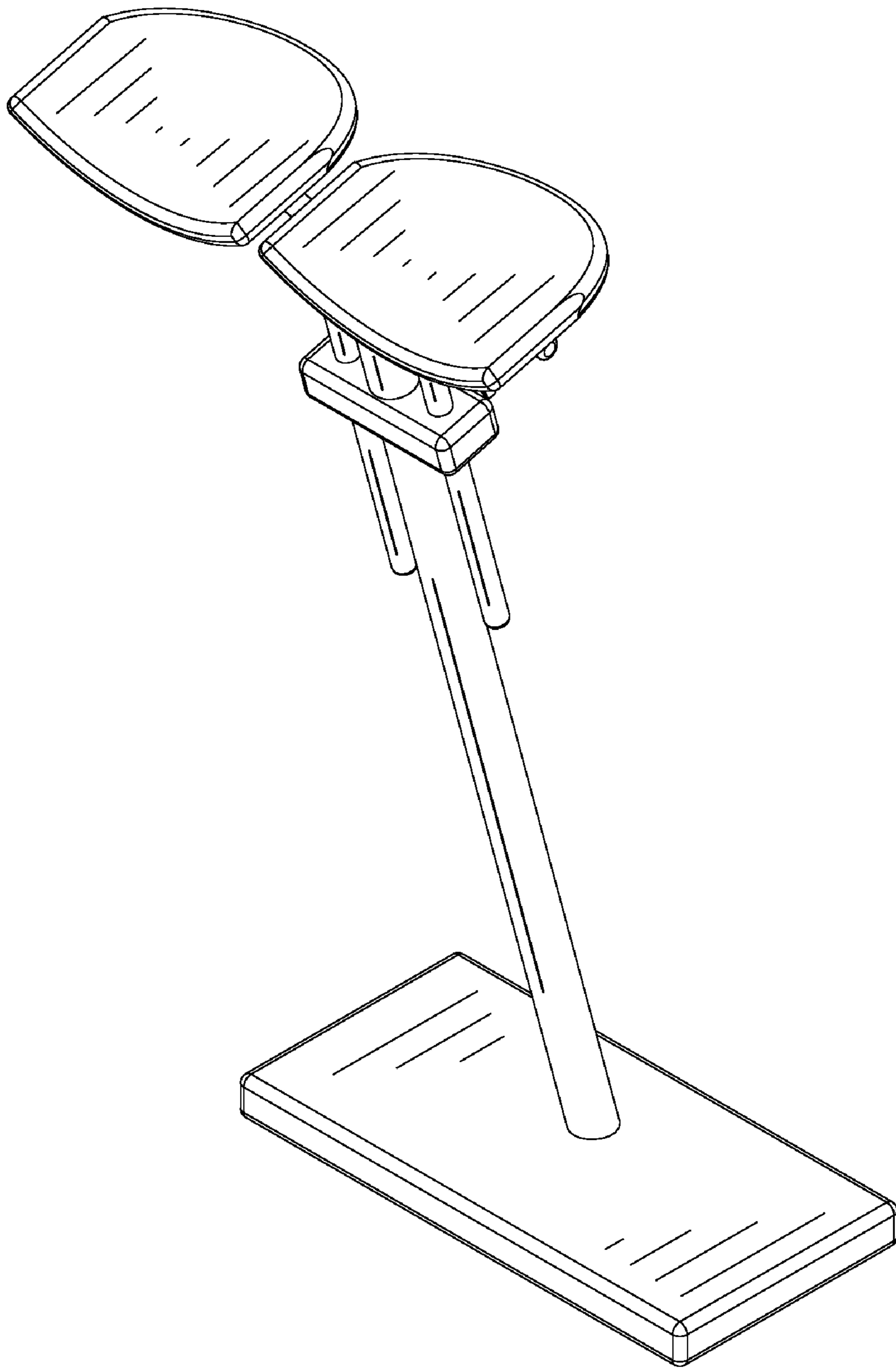


Fig. 1

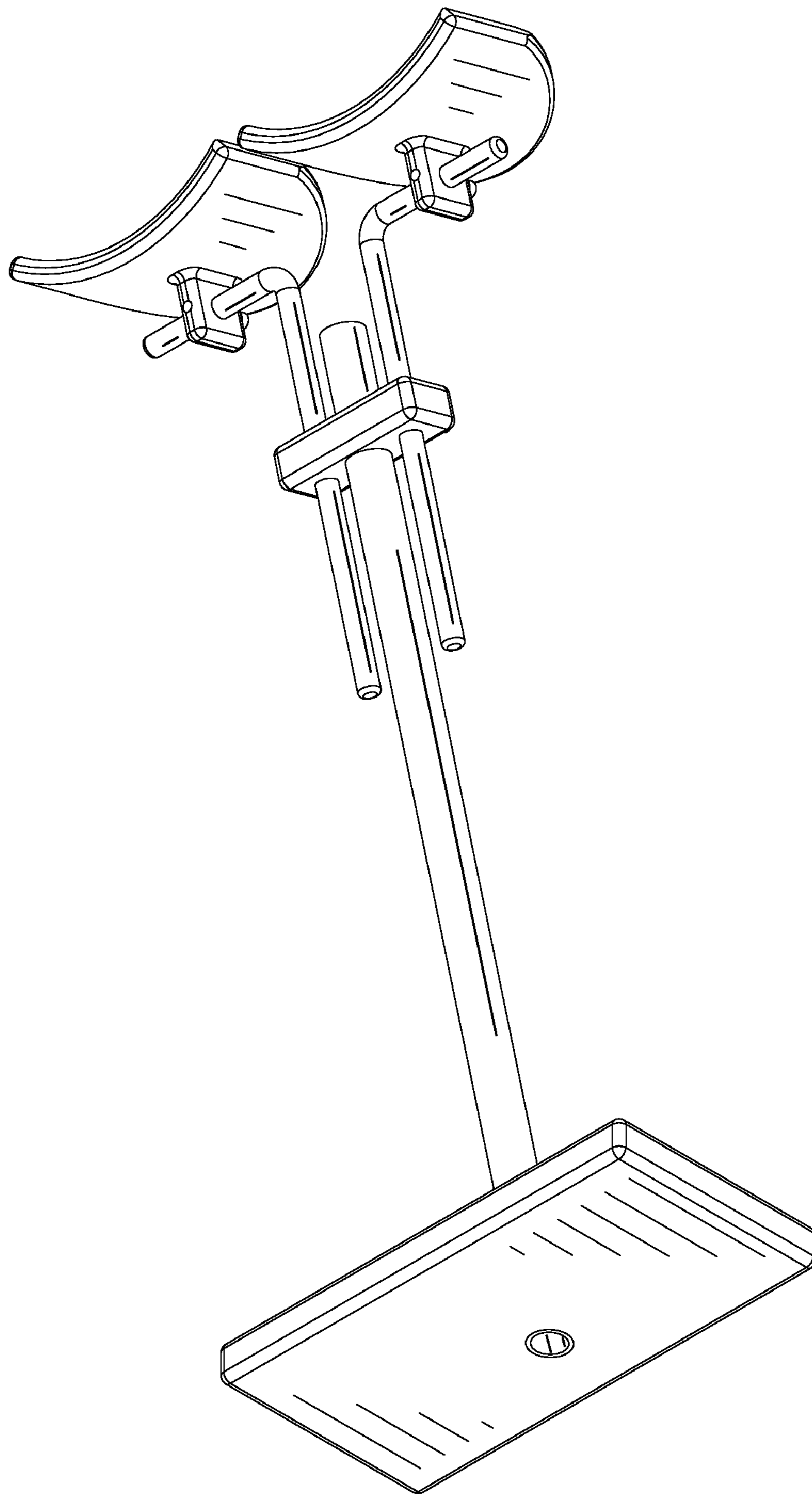


Fig. 2

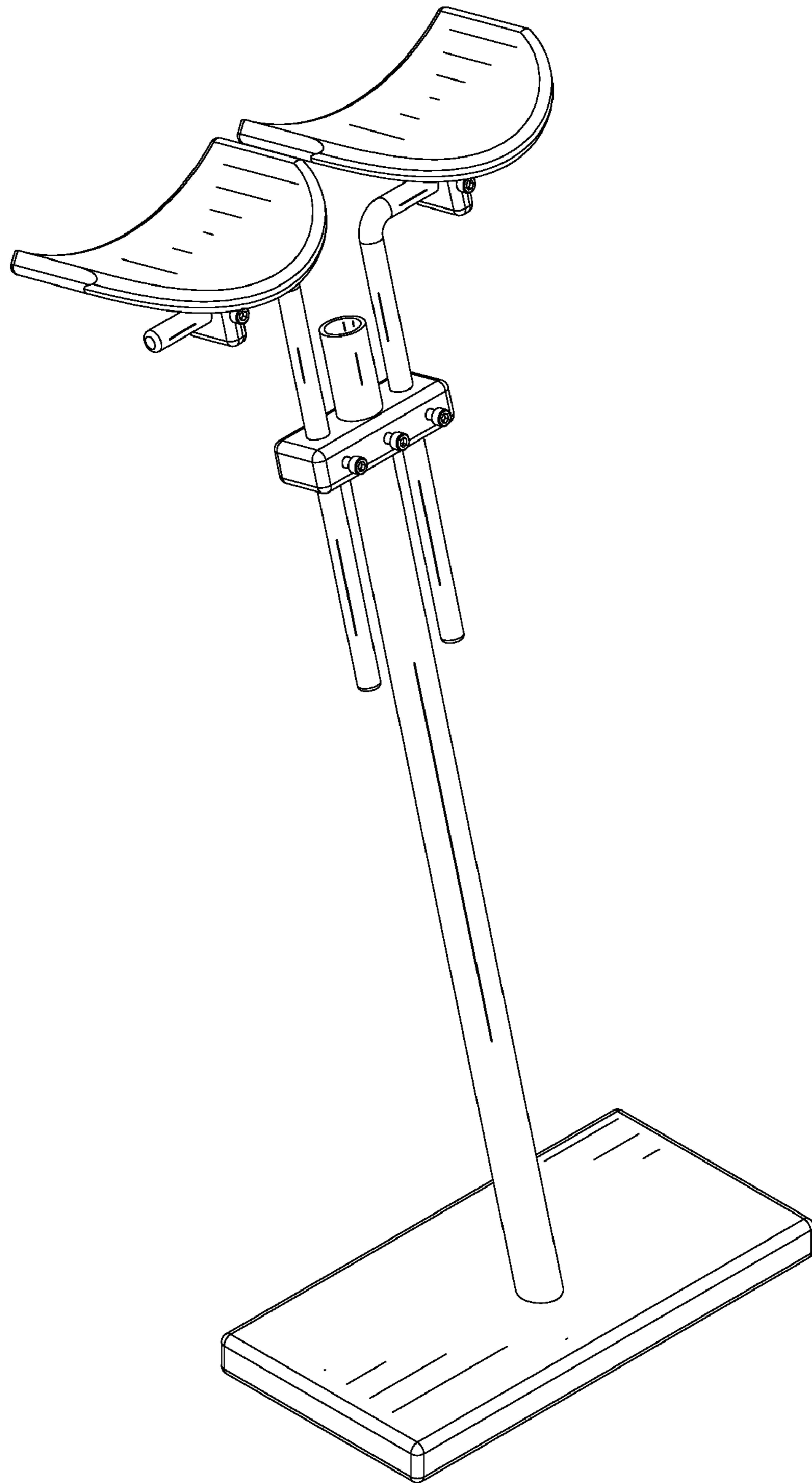


Fig. 3

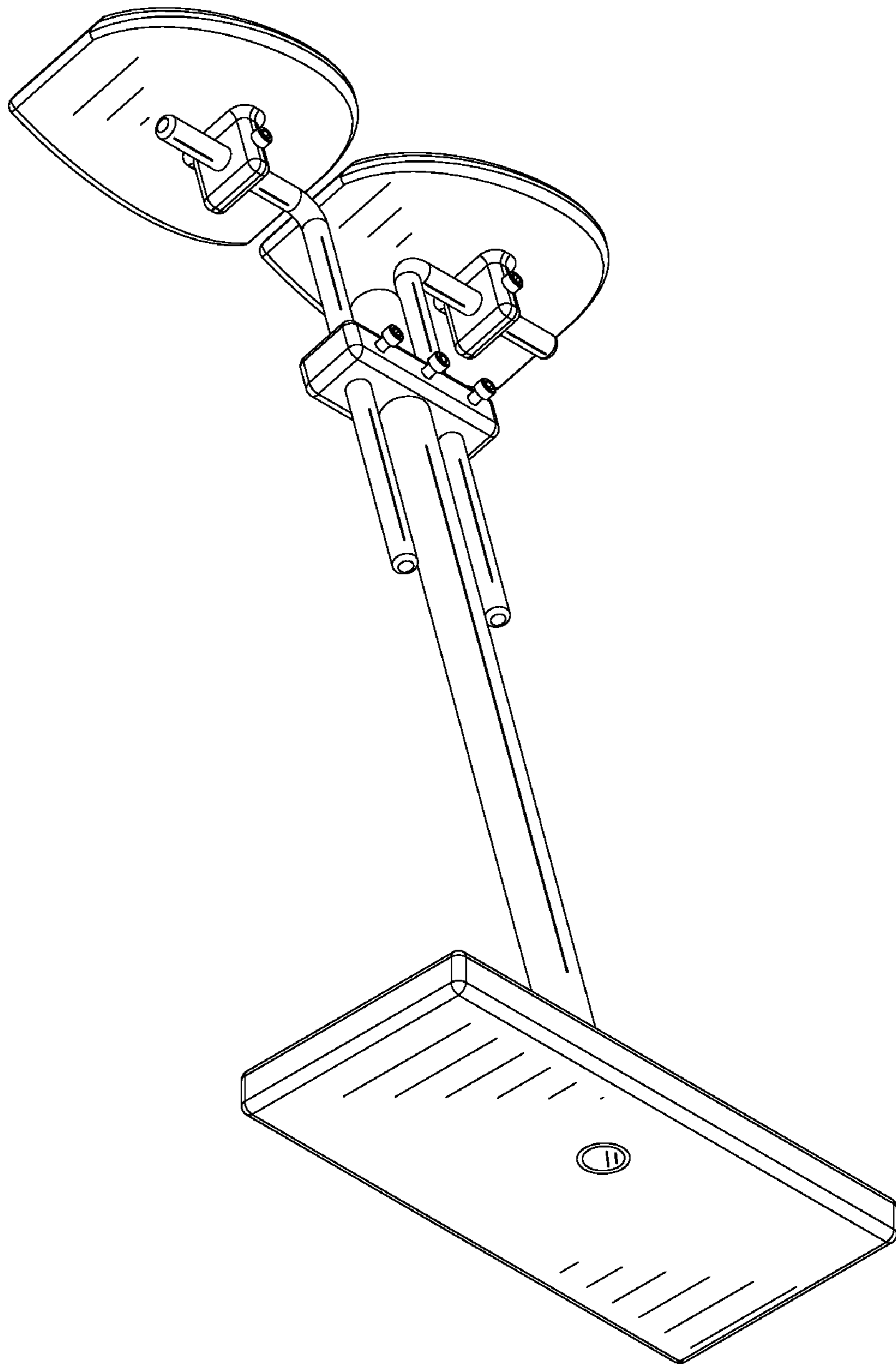


Fig. 4

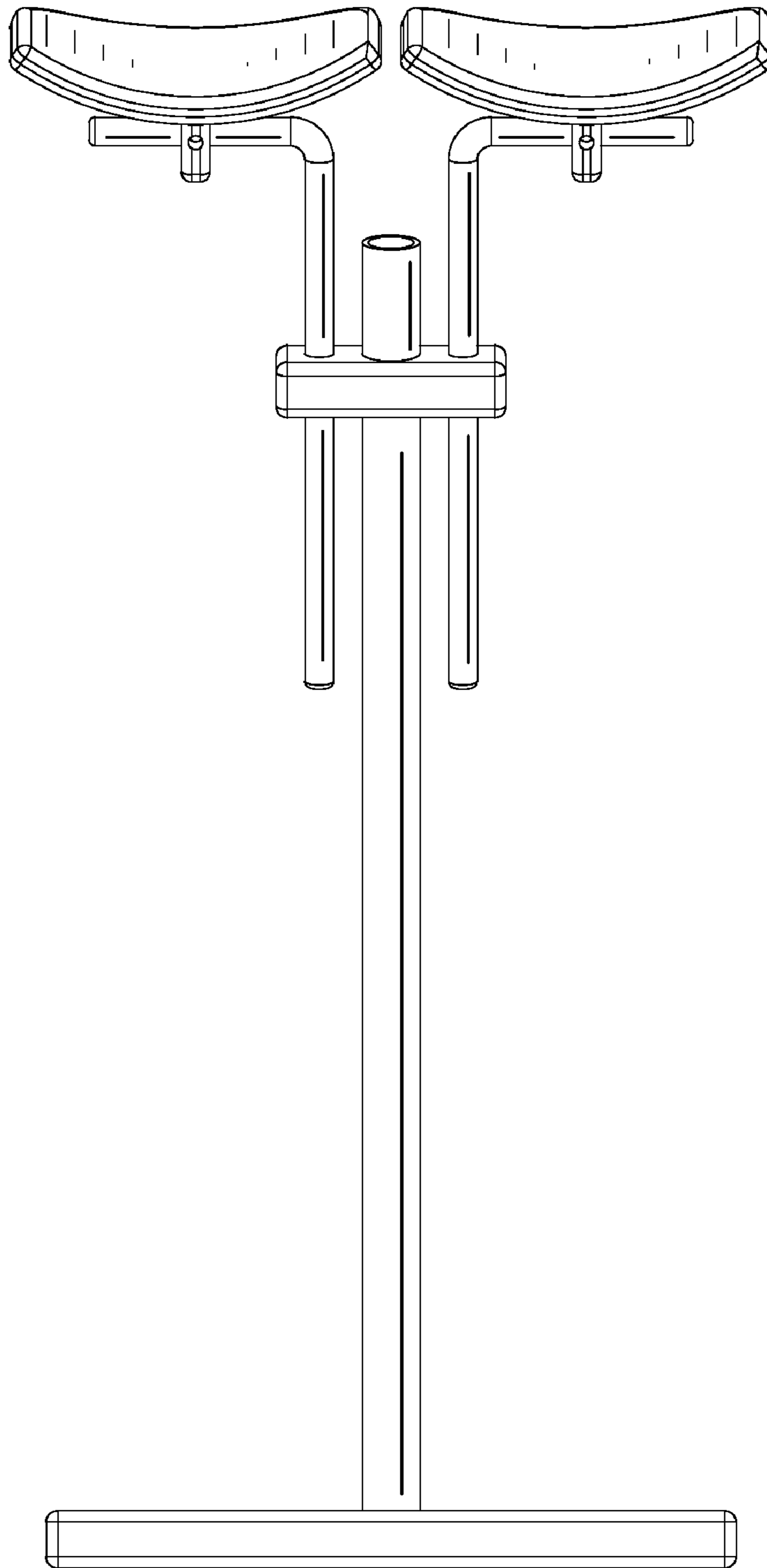


Fig. 5

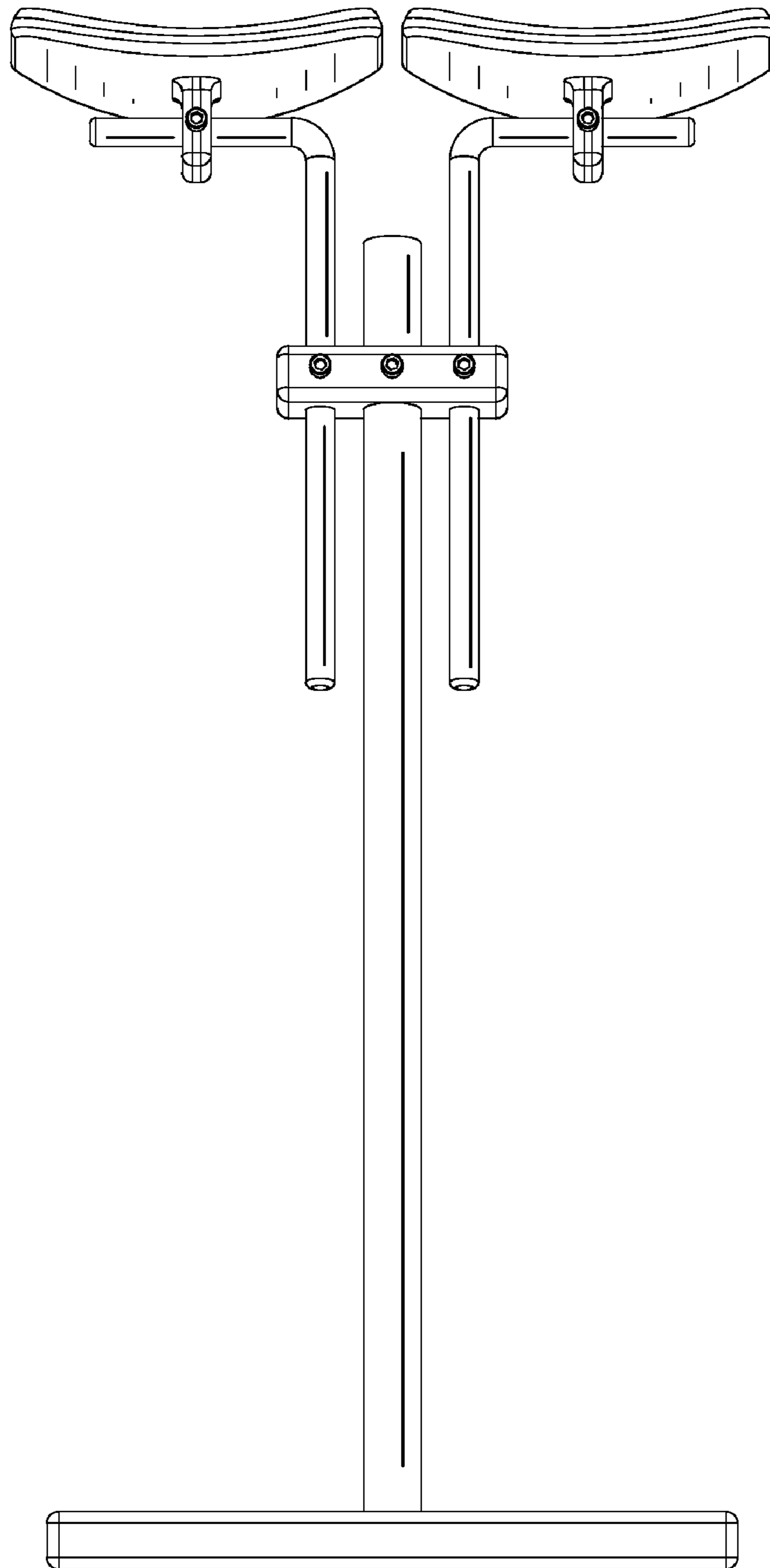


Fig. 6

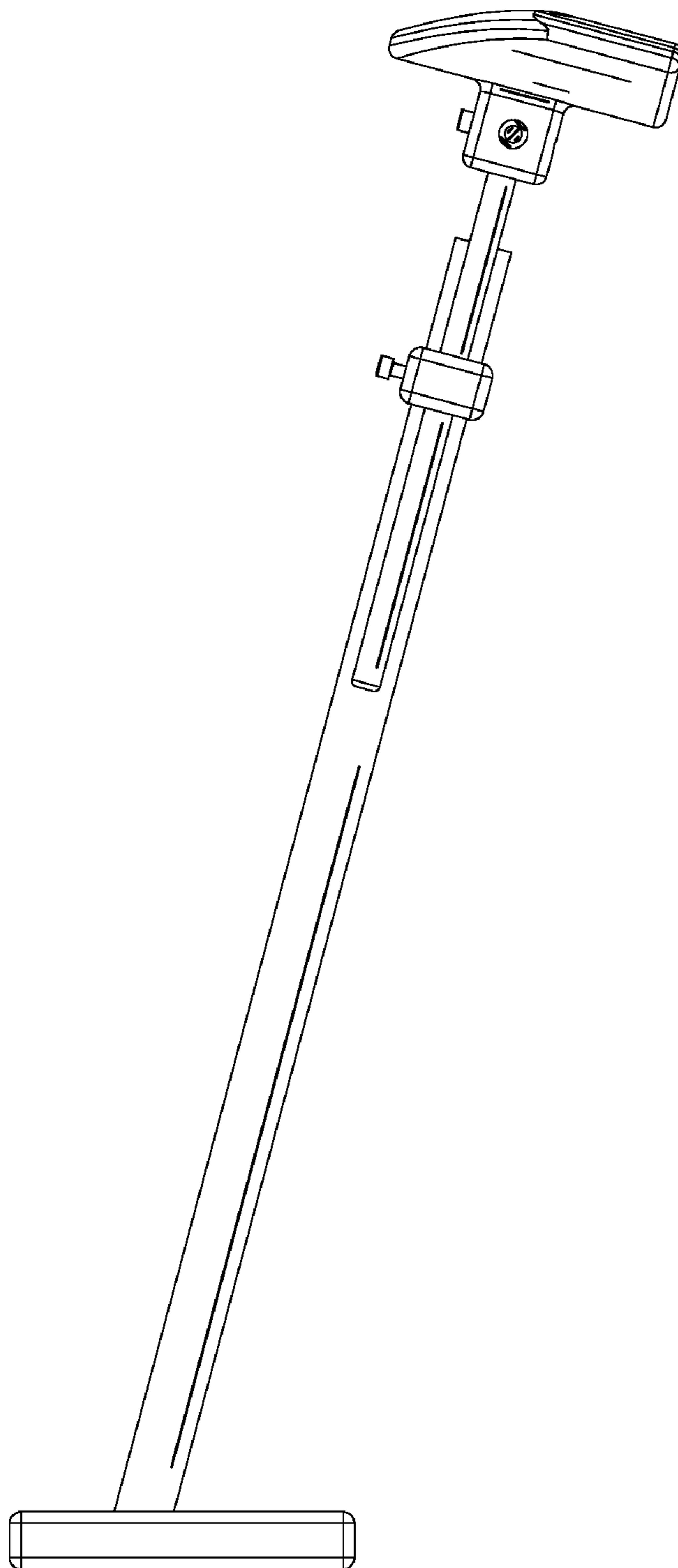


Fig. 7

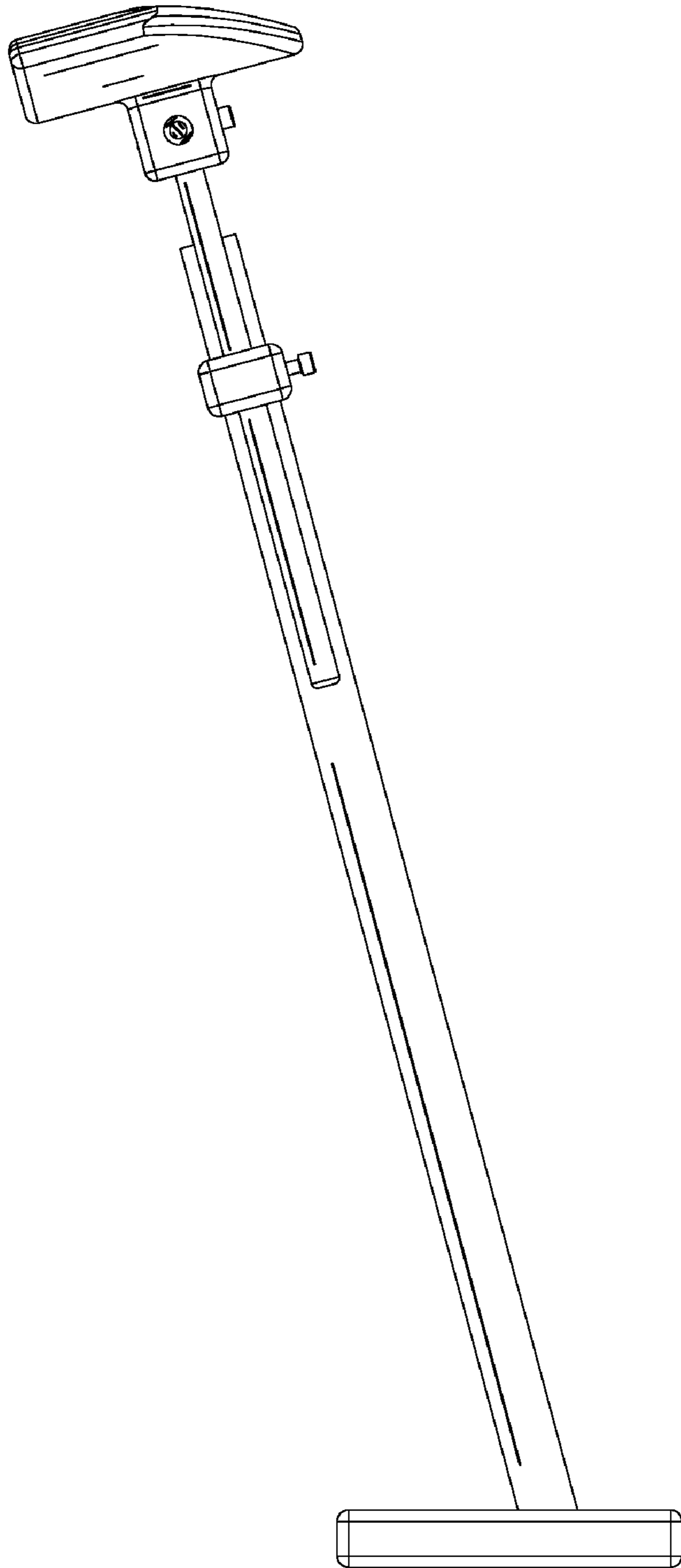


Fig. 8

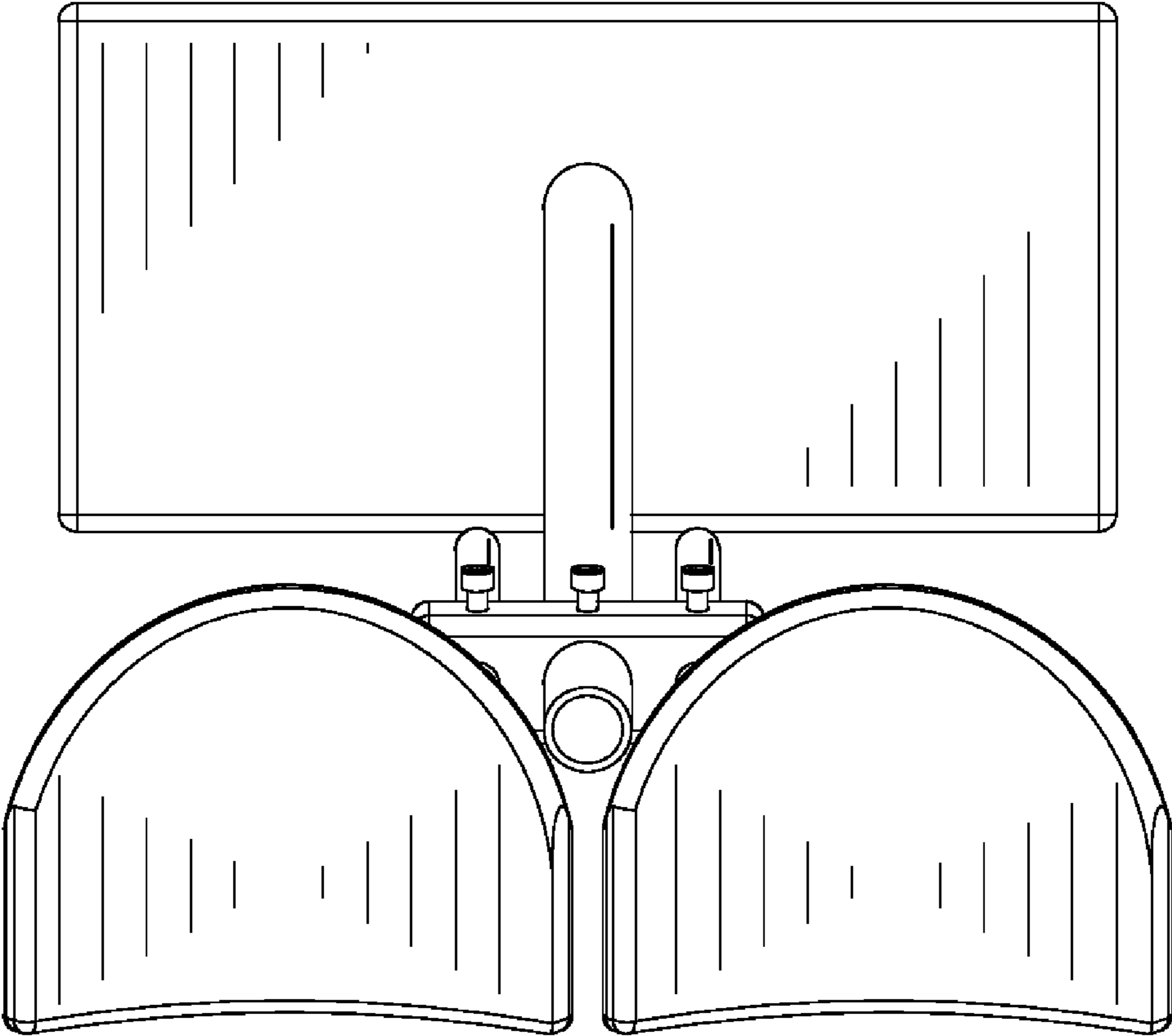


Fig. 9

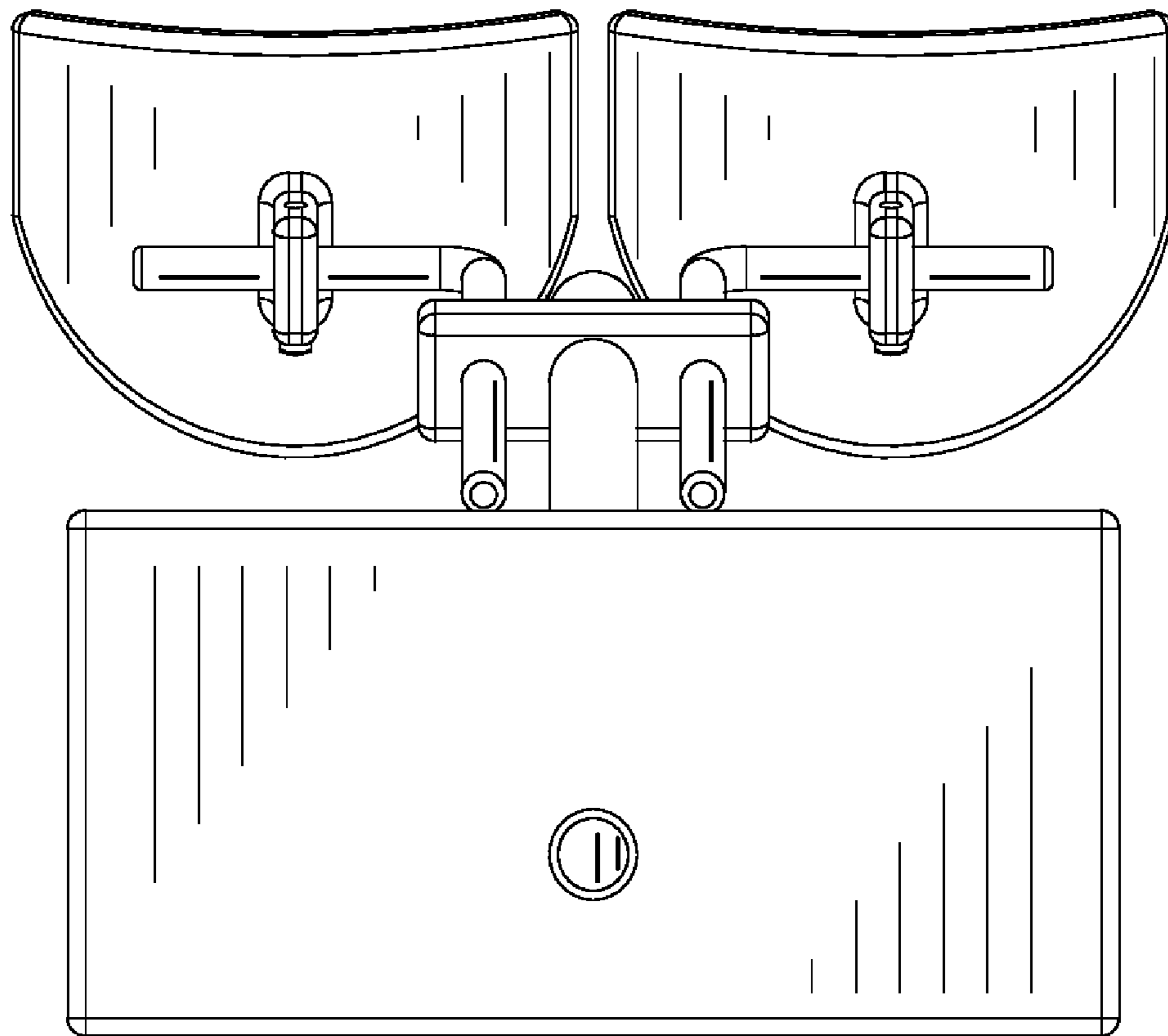


Fig. 10