



US00D633619S

(12) **United States Design Patent**
Collins et al.

(10) **Patent No.:** **US D633,619 S**
(45) **Date of Patent:** **** Mar. 1, 2011**

(54) **FRONT PANEL ASSEMBLY FOR A PORTABLE HEMODIALYSIS SYSTEM**

(75) Inventors: **David E. Collins**, Manchester, NH (US);
Jared Farlow, Manchester, NH (US);
Kevin L. Grant, Litchfield, NH (US);
James D. Dale, Nashua, NH (US); **Jason A. Demers**, Manchester, NH (US);
Geoffrey A. Marcek, Houston, TX (US)

(73) Assignee: **DEKA Products Limited Partnership**,
Manchester, NH (US)

(**) Term: **14 Years**

(21) Appl. No.: **29/323,527**

(22) Filed: **Aug. 27, 2008**

(51) **LOC (9) Cl.** **24-02**

(52) **U.S. Cl.** **D24/169; D24/111**

(58) **Field of Classification Search** D24/111,
D24/127-129, 133, 135, 138, 140, 145, 169,
D24/191, 216-217, 223-225, 227; D10/30-32,
D10/38, 57, 70, 78, 81, 98, 104; 606/87-88,
606/96, 102-103, 142, 151, 157-158, 213;
600/229; 417/395; 604/5.04, 6.01, 6.07-6.08;
210/175, 246

See application file for complete search history.

(56) **References Cited**

U.S. PATENT DOCUMENTS

D271,801 S * 12/1983 Preussner D24/169
4,479,761 A * 10/1984 Bilstad et al. 417/395
4,479,762 A * 10/1984 Bilstad et al. 417/395

(Continued)

Primary Examiner—Lisa P Lichtenstein

(74) *Attorney, Agent, or Firm*—Wolf, Greenfield & Sacks,
P.C.

(57) **CLAIM**

The ornamental design for a front panel assembly for a portable hemodialysis system, as shown and described.

DESCRIPTION

FIG. 1 is a front, elevational view of a front panel assembly, in its environment, for a portable hemodialysis system;

FIG. 2 is an enlarged view of a portion of FIG. 1;

FIG. 3 is a front, left side perspective view of a front panel assembly, in its environment, for a portable hemodialysis system;

FIG. 4 is an enlarged view of a portion of FIG. 2;

FIG. 5 is a front, right side perspective view of a front panel assembly, in its environment, for a portable hemodialysis system;

FIG. 6 is an enlarged view of a portion of FIG. 3;

FIG. 7 is a left side elevational view of a front panel assembly, in its environment, for a portable hemodialysis system;

FIG. 8 is an enlarged view of a portion of FIG. 4;

FIG. 9 is a right side elevational view of a front panel assembly, in its environment, for a portable hemodialysis system;

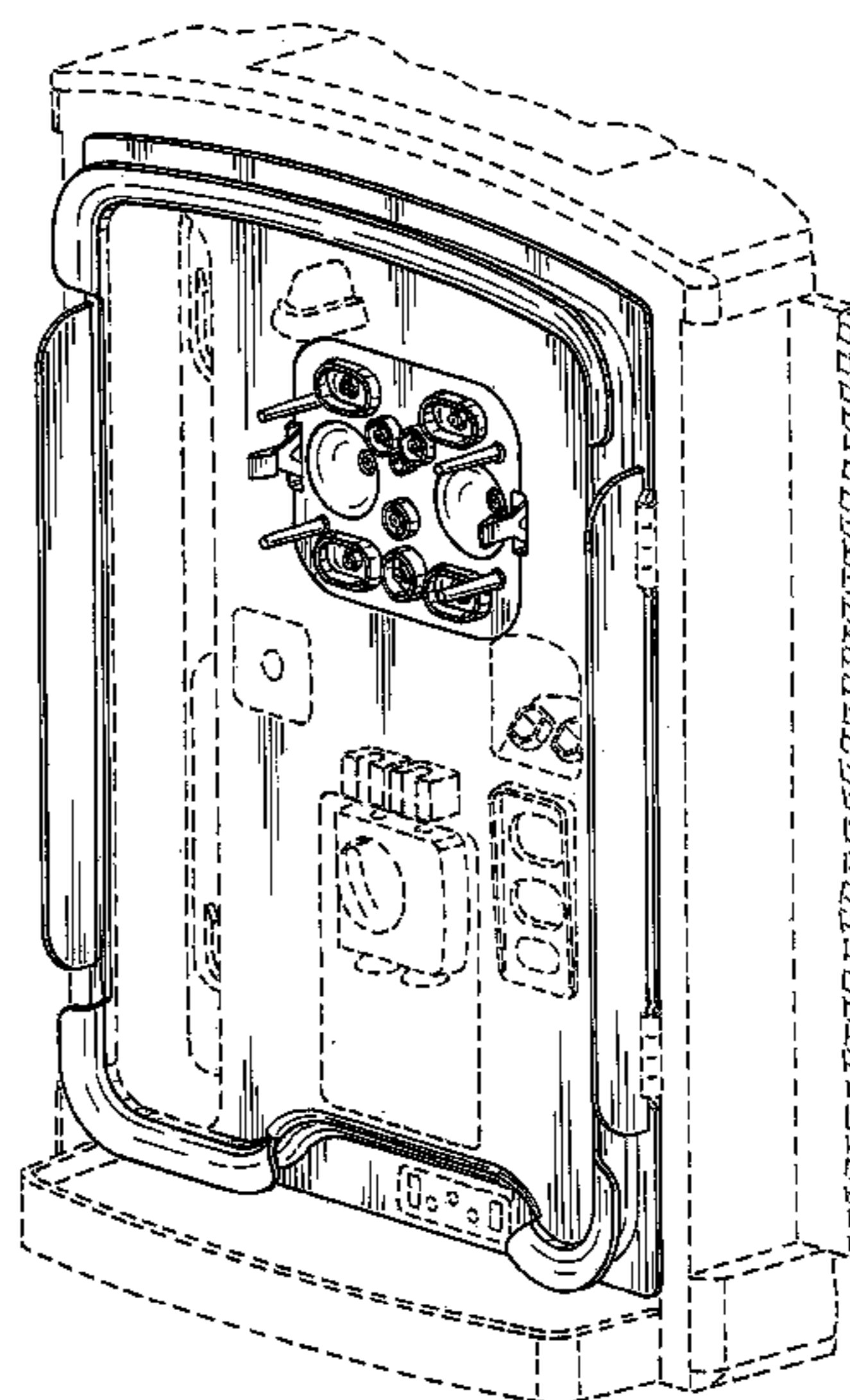
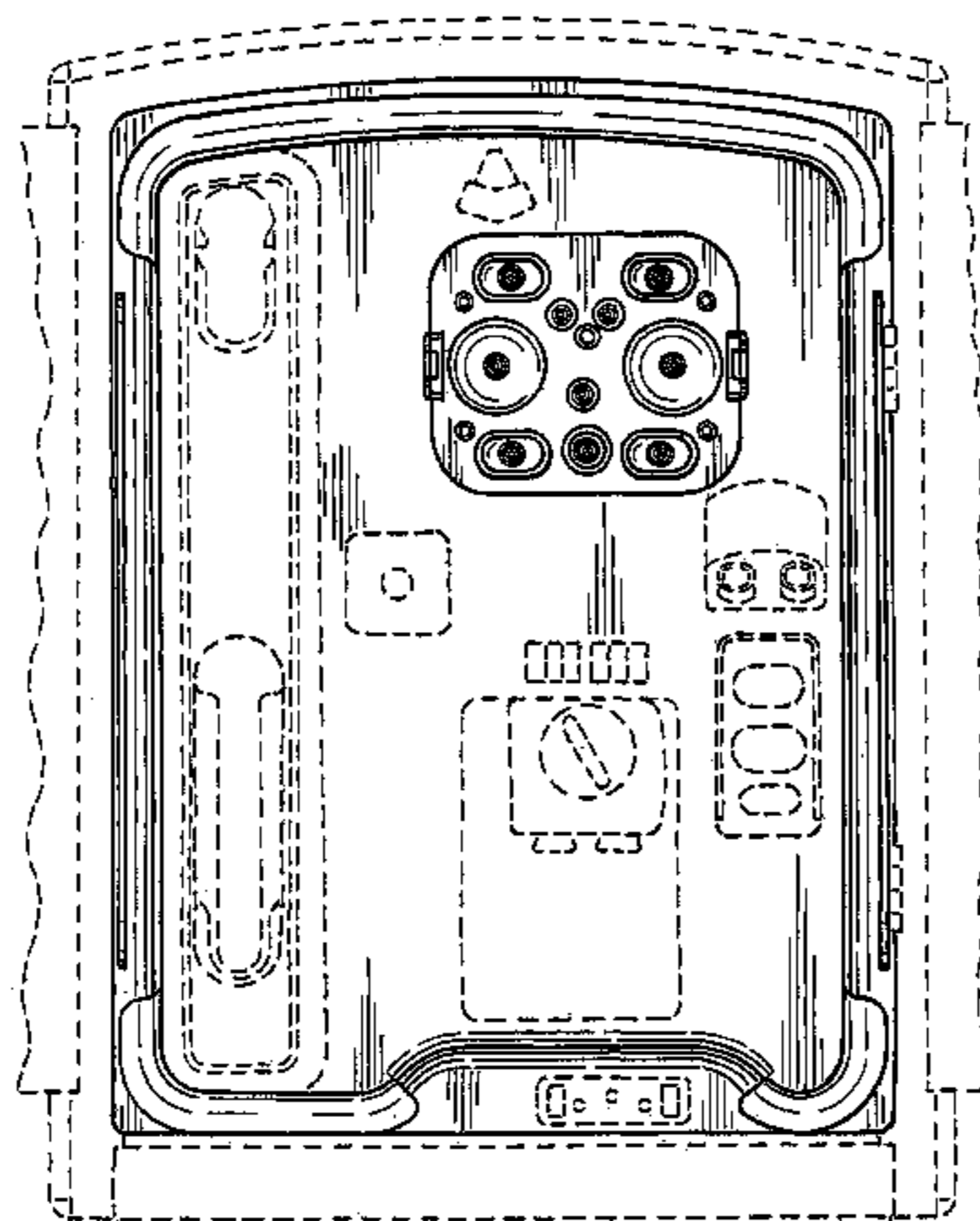
FIG. 10 is an enlarged view of a portion of FIG. 5;

FIG. 11 is a top plan view, the bottom view being plain need not be considered, of a front panel assembly, in its environment, for a portable hemodialysis system; and,

FIG. 12 is an enlarged view of a portion of FIG. 6.

The broken lines illustrate environmental structure and portions of the front panel assembly for a portable hemodialysis system which form no part of the claimed design.

1 Claim, 12 Drawing Sheets



US D633,619 S

Page 2

U.S. PATENT DOCUMENTS

4,637,813 A * 1/1987 DeVries 604/6.01
2008/0208103 A1 8/2008 Demers et al.

2009/0008331 A1 1/2009 Wilt et al.

* cited by examiner

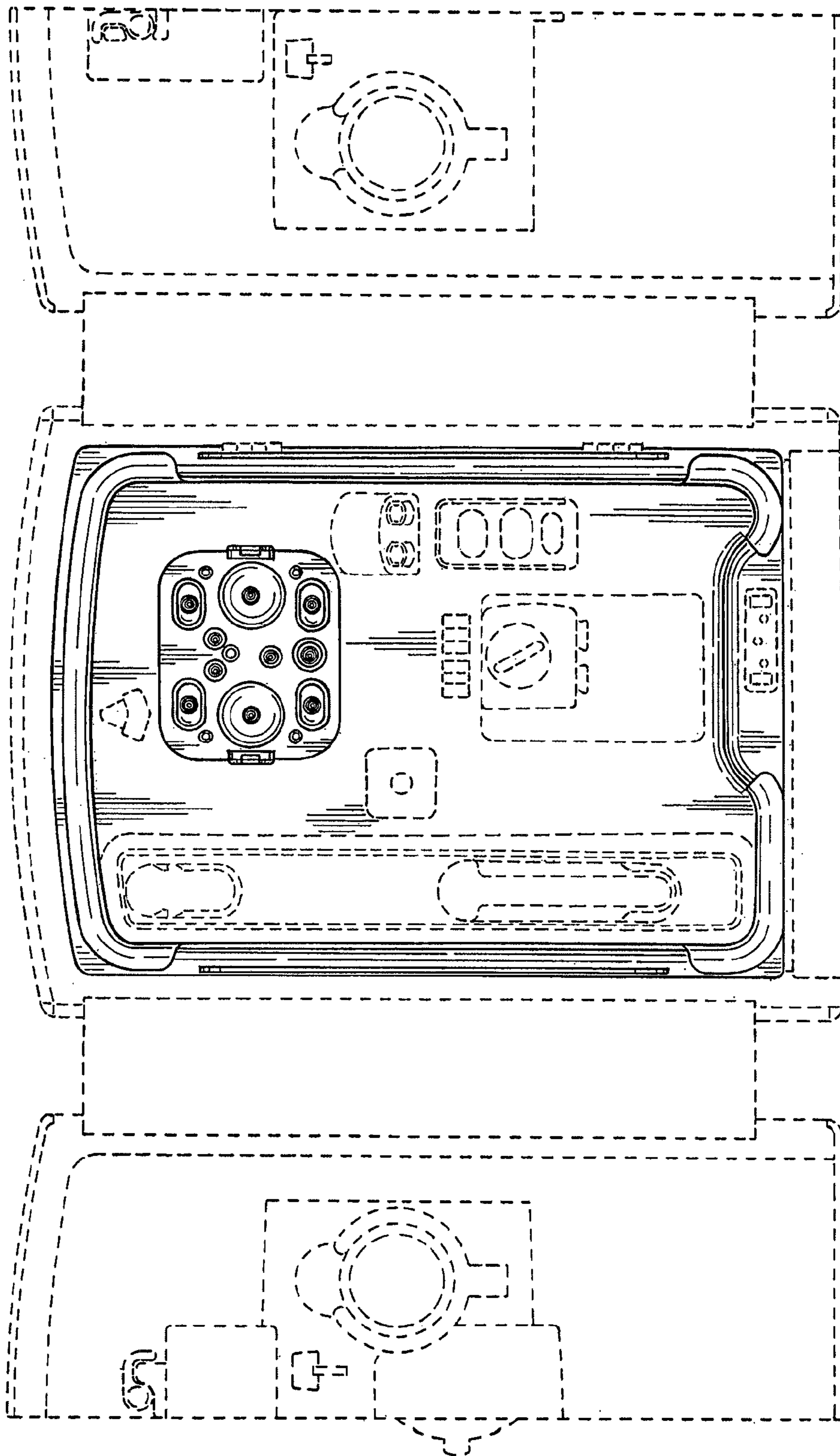


Fig. 1

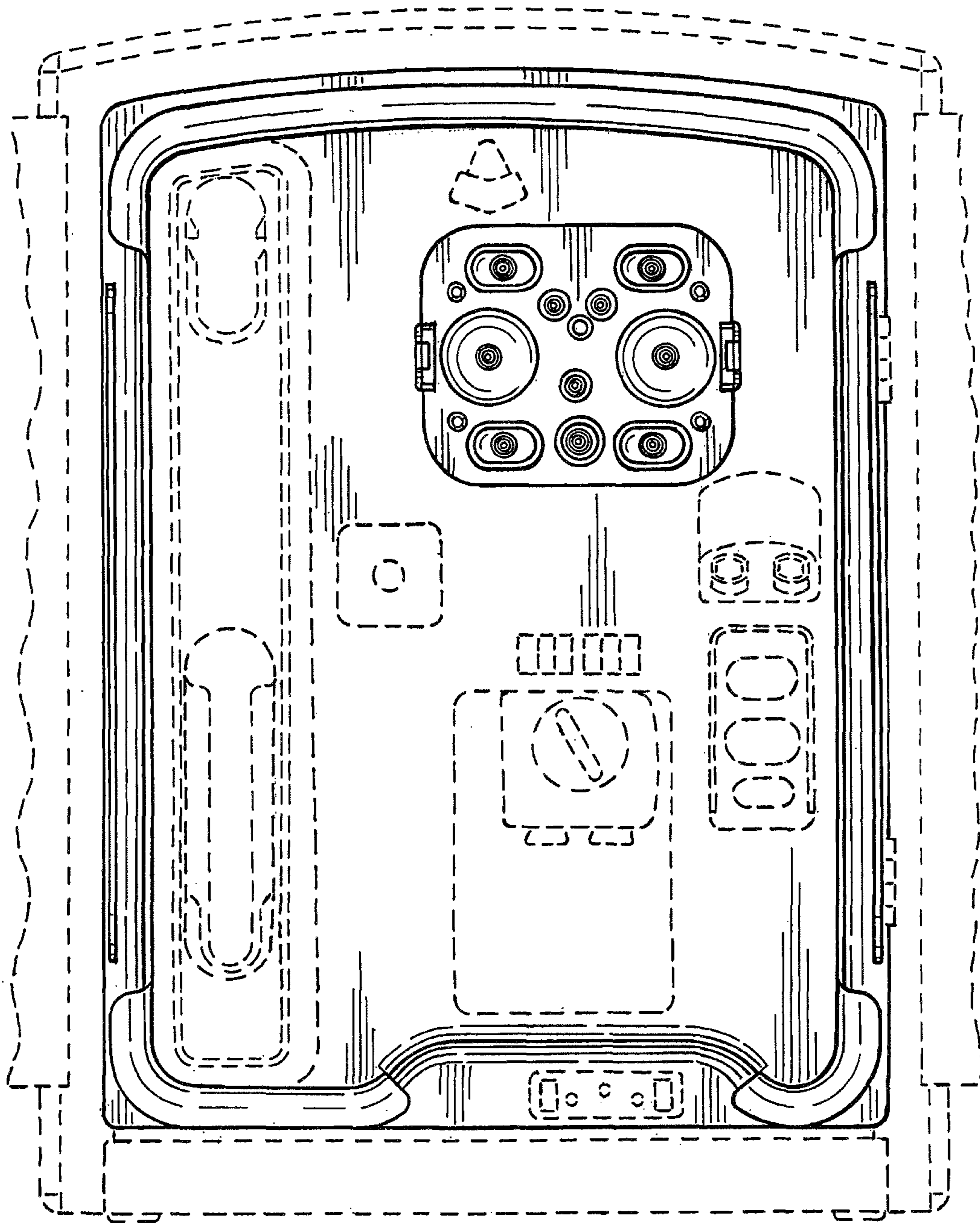


Fig. 2

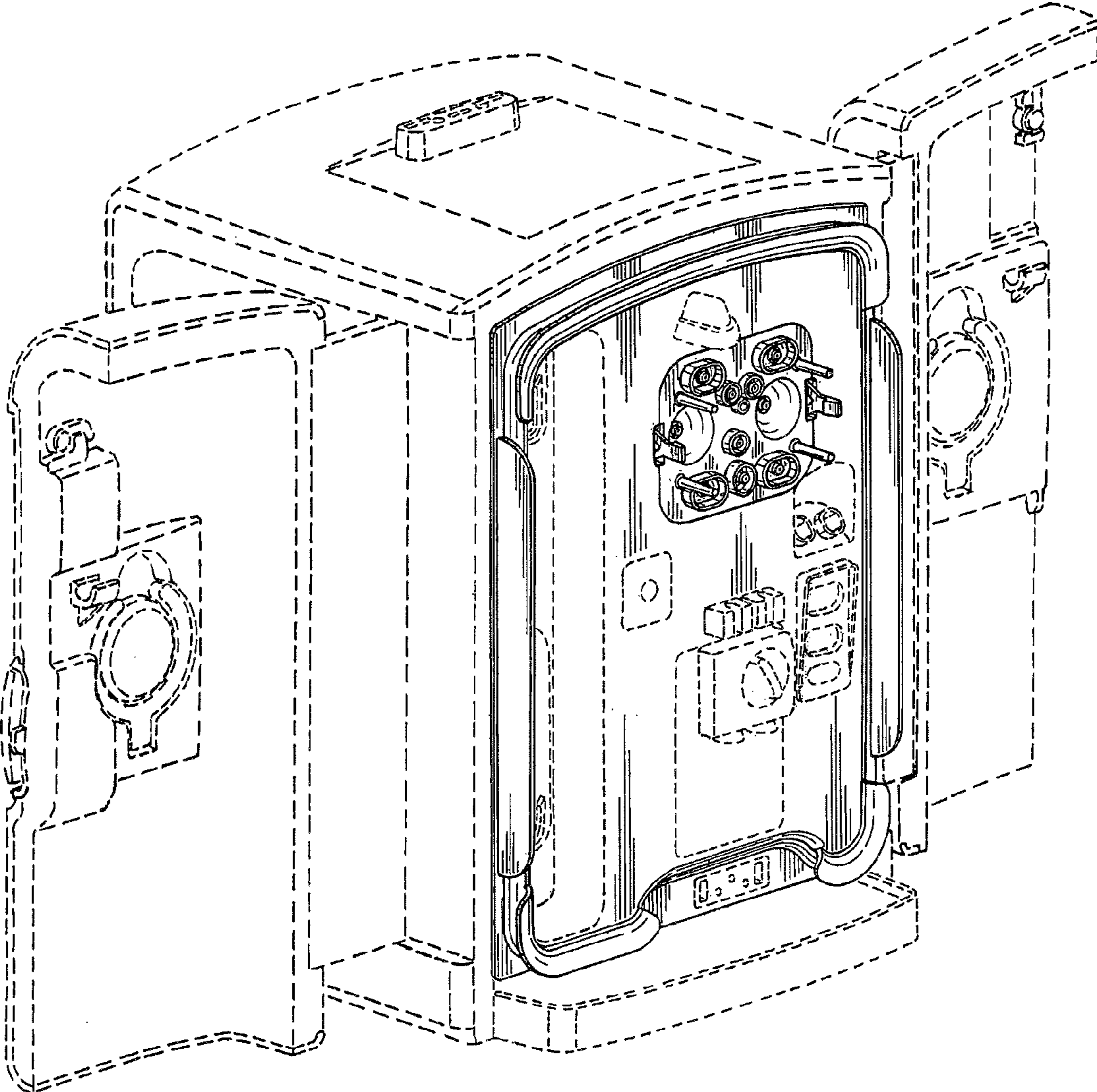


Fig. 3

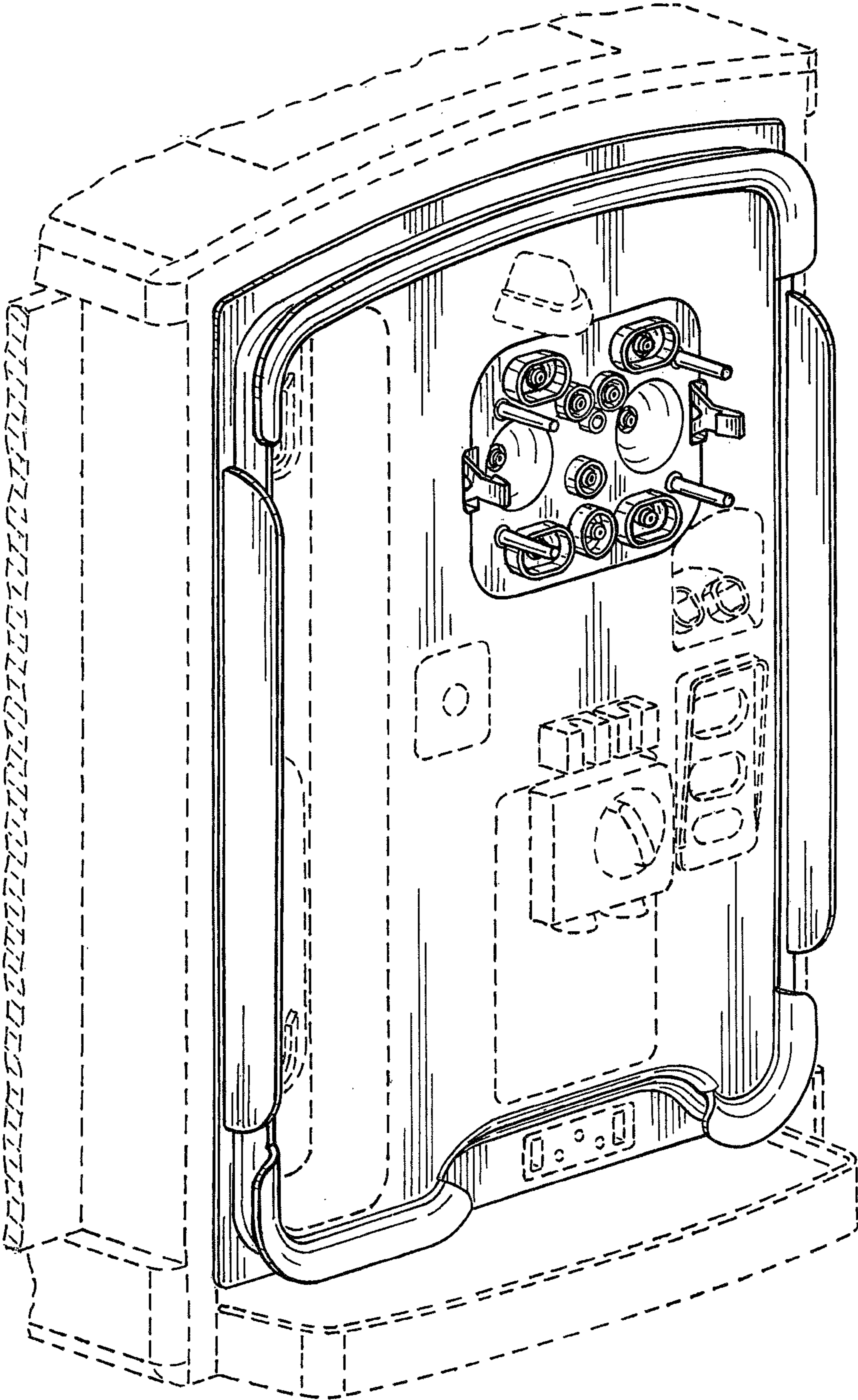


Fig. 4

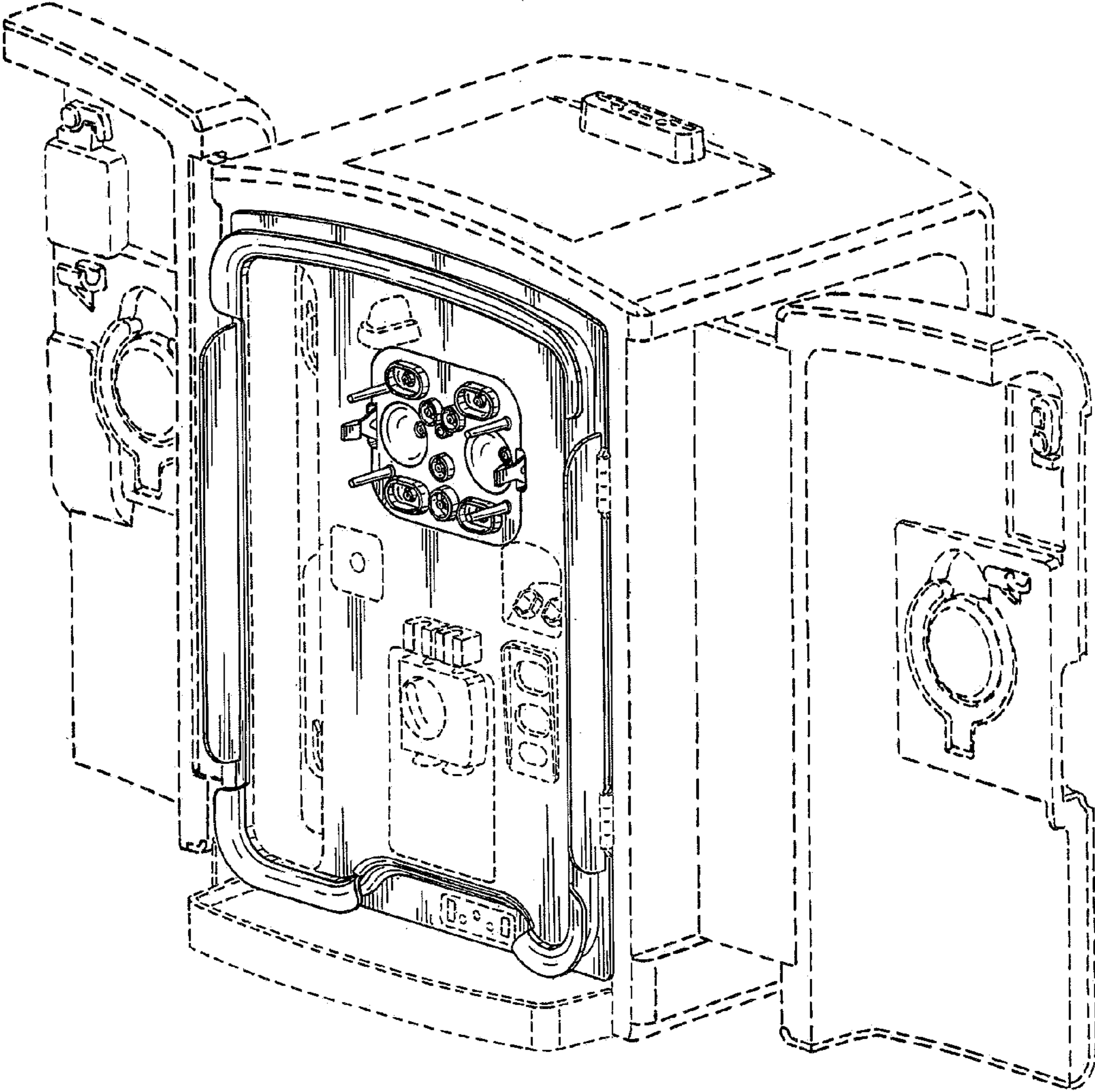


Fig. 5

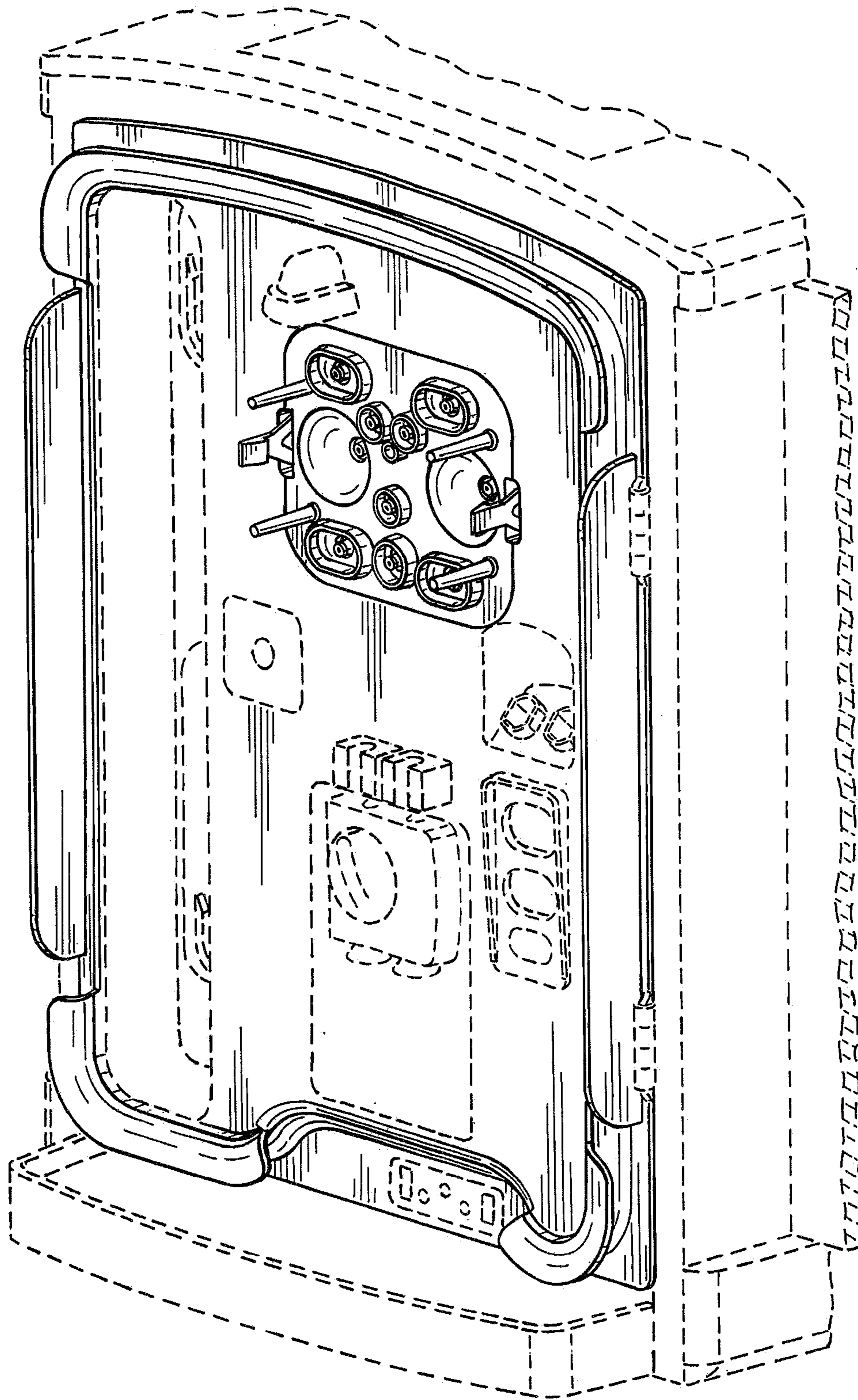


Fig. 6

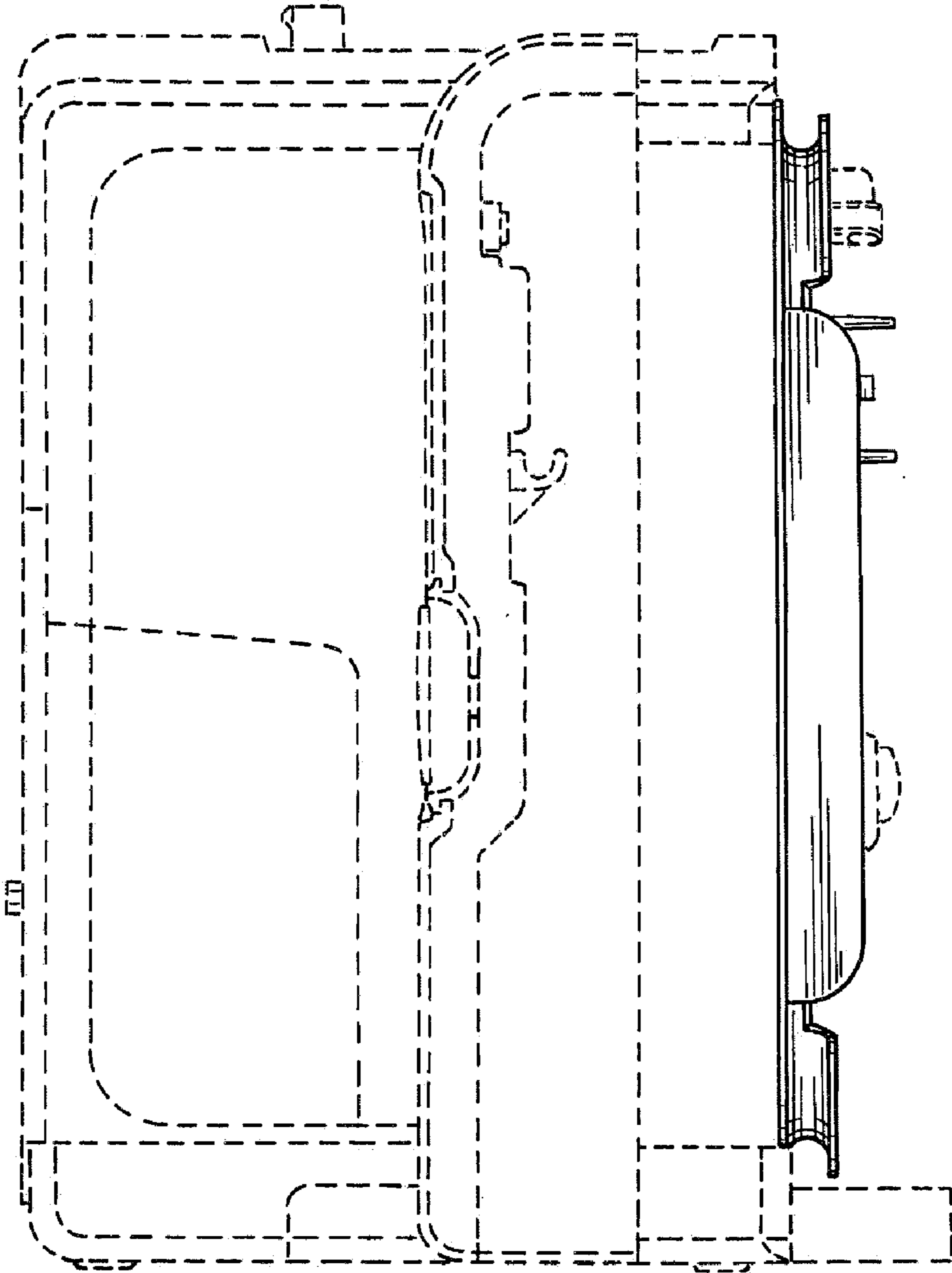


Fig. 7

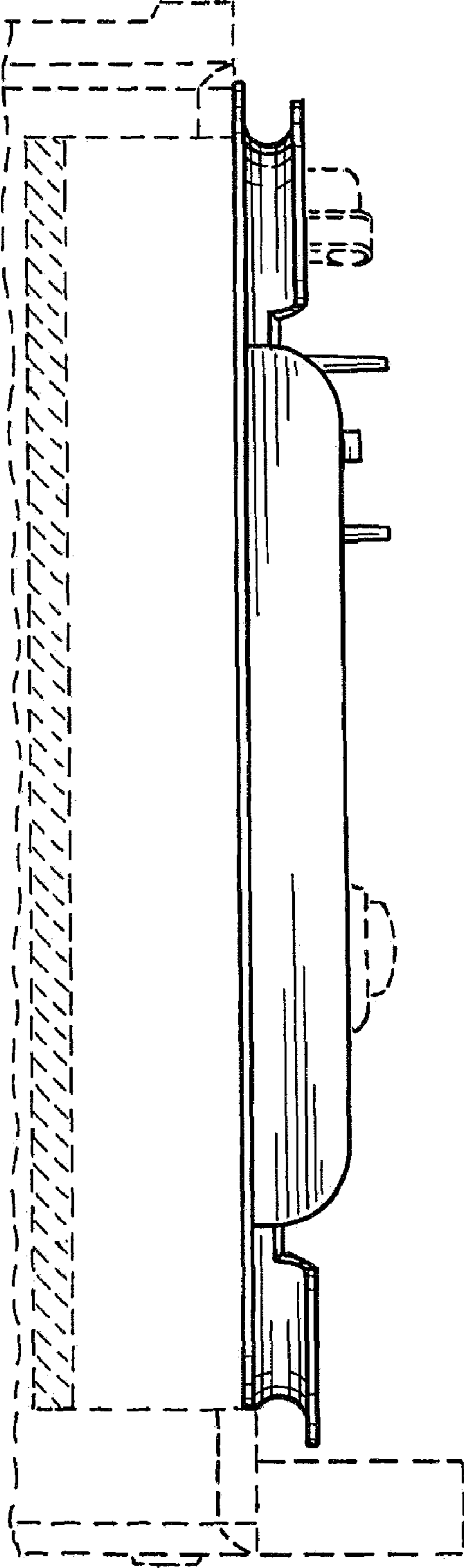


Fig. 8

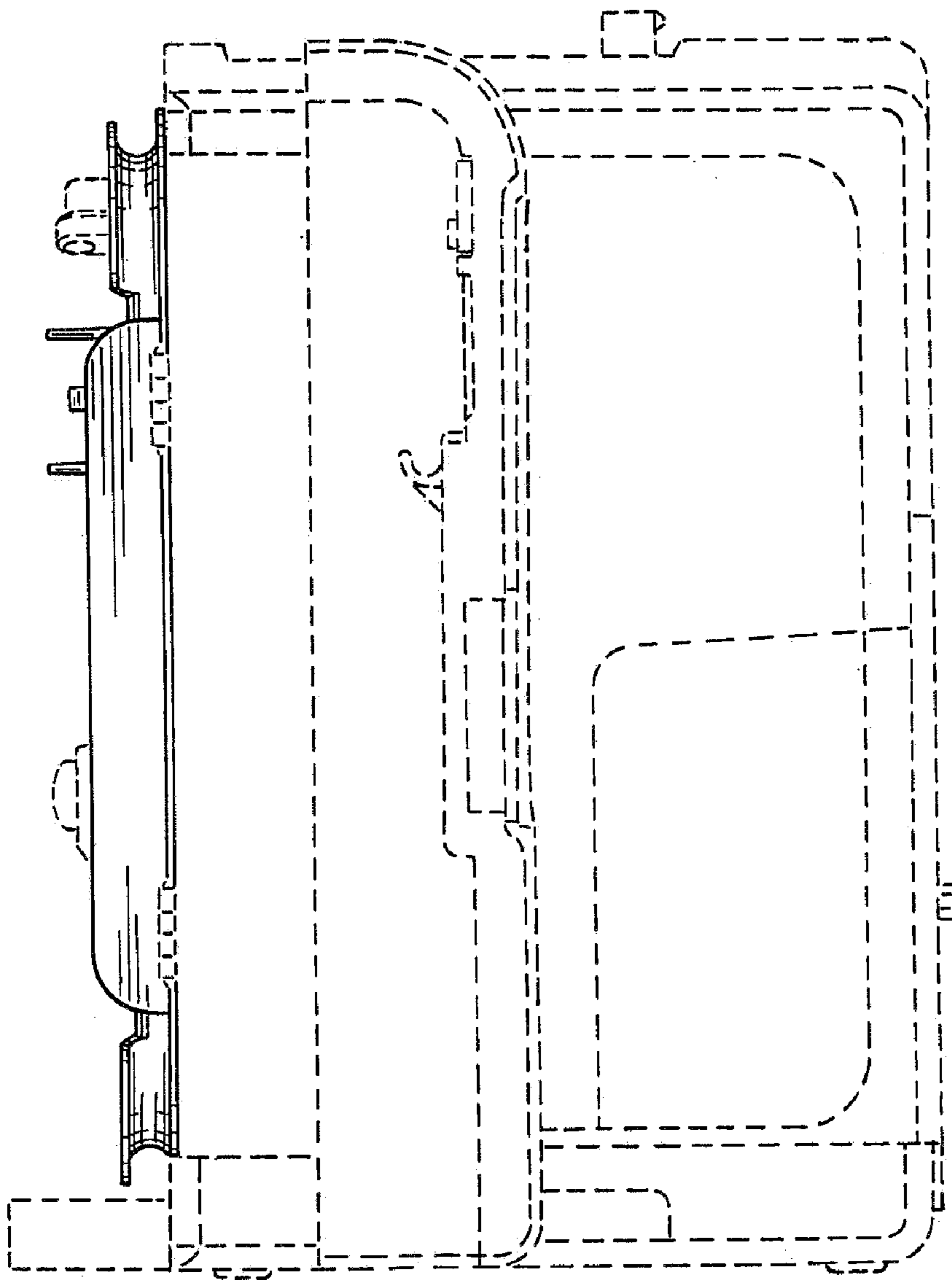


Fig. 9

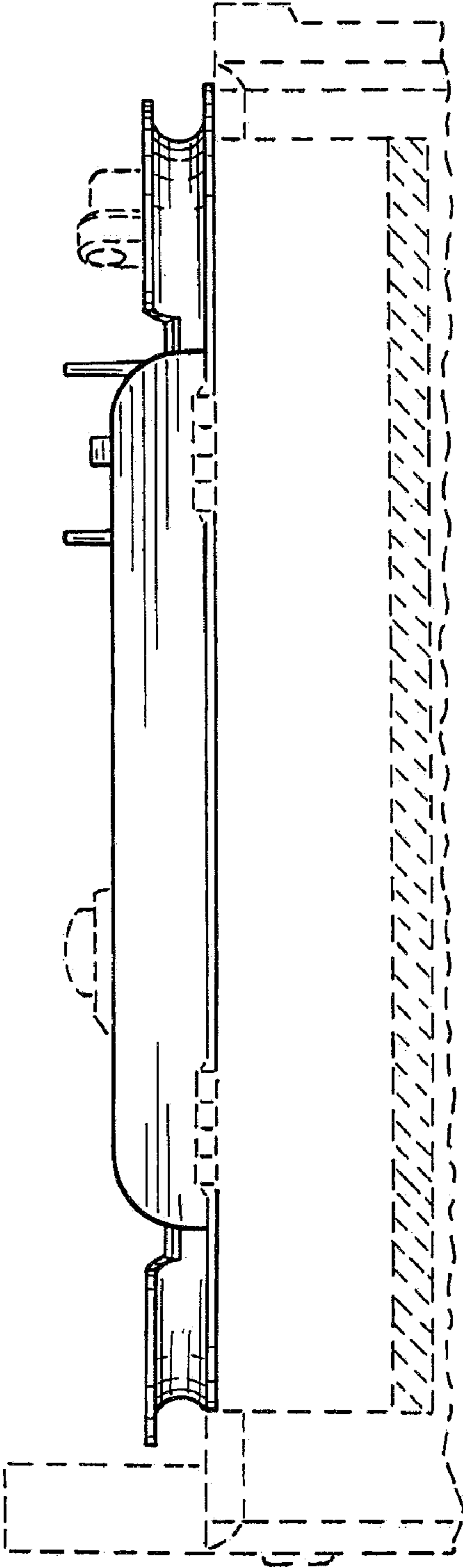


Fig. 10

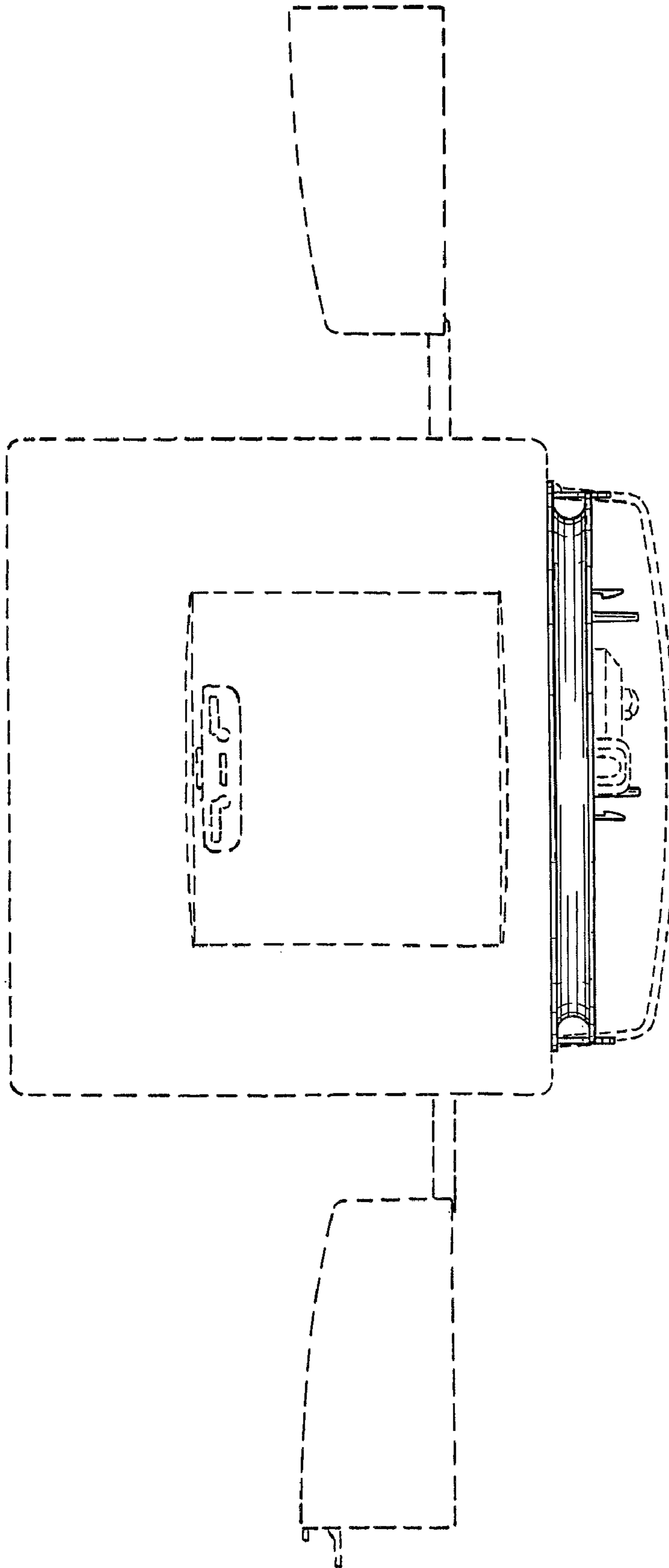


Fig. 11

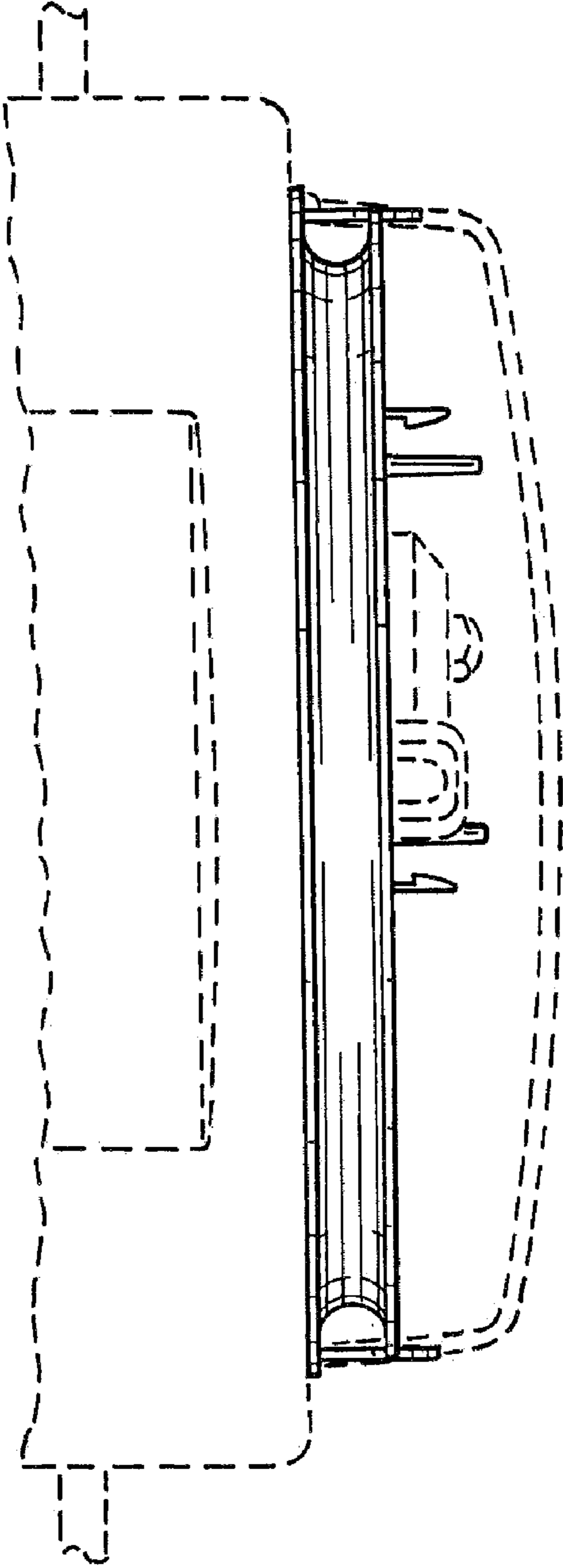


Fig. 12