



US00D633618S

(12) **United States Design Patent**
Johnson et al.

(10) **Patent No.:** **US D633,618 S**

(45) **Date of Patent:** **** Mar. 1, 2011**

(54) **PROSTHETIC FOOT**

(75) Inventors: **Christopher L. Johnson**, Mountain Park, OK (US); **Lars Chrisman**, Lawton, MI (US); **Aaron Tazsreak**, China, MI (US); **Kevin L'Heureux**, Southgate, MI (US); **Kenan Wollborg**, Inkster, MI (US)

(73) Assignee: **College Park Industries, Inc.**, Fraser, MI (US)

(**) Term: **14 Years**

(21) Appl. No.: **29/339,402**

(22) Filed: **Jun. 30, 2009**

(51) **LOC (9) Cl.** **24-03**

(52) **U.S. Cl.** **D24/155**

(58) **Field of Classification Search** D24/155-157;
623/29, 38, 53, 55, 56

See application file for complete search history.

(56) **References Cited**

U.S. PATENT DOCUMENTS

5,387,246	A *	2/1995	Phillips	623/56
6,719,807	B2 *	4/2004	Harris	623/55
6,797,009	B1 *	9/2004	Laghi	623/53
6,969,408	B2 *	11/2005	Lecomte et al.	623/55
7,060,104	B2 *	6/2006	Phillips	623/55
D560,733	S *	1/2008	Lorenz	D24/155

7,371,262	B2 *	5/2008	Lecomte et al.	623/55
D579,115	S *	10/2008	Rubie et al.	D24/155
7,531,006	B2 *	5/2009	Clausen et al.	623/53
7,611,543	B2 *	11/2009	Townsend et al.	623/38
7,618,464	B2 *	11/2009	Christensen	623/55
7,815,689	B2 *	10/2010	Bedard et al.	623/53

* cited by examiner

Primary Examiner—Charles A Rademaker

(74) *Attorney, Agent, or Firm*—Gifford, Krass, Sprinkle, Anderson & Citkowski, P.C.

(57) **CLAIM**

The ornamental design for a prosthetic foot, as shown and described.

DESCRIPTION

FIG. 1 is a front perspective view of a prosthetic foot showing our new design, the broken lines are included to show environment and form no part of the claimed design;

FIG. 2 is a rear perspective view thereof.

FIG. 3 is a front elevation view thereof.

FIG. 4 is a rear elevation view thereof.

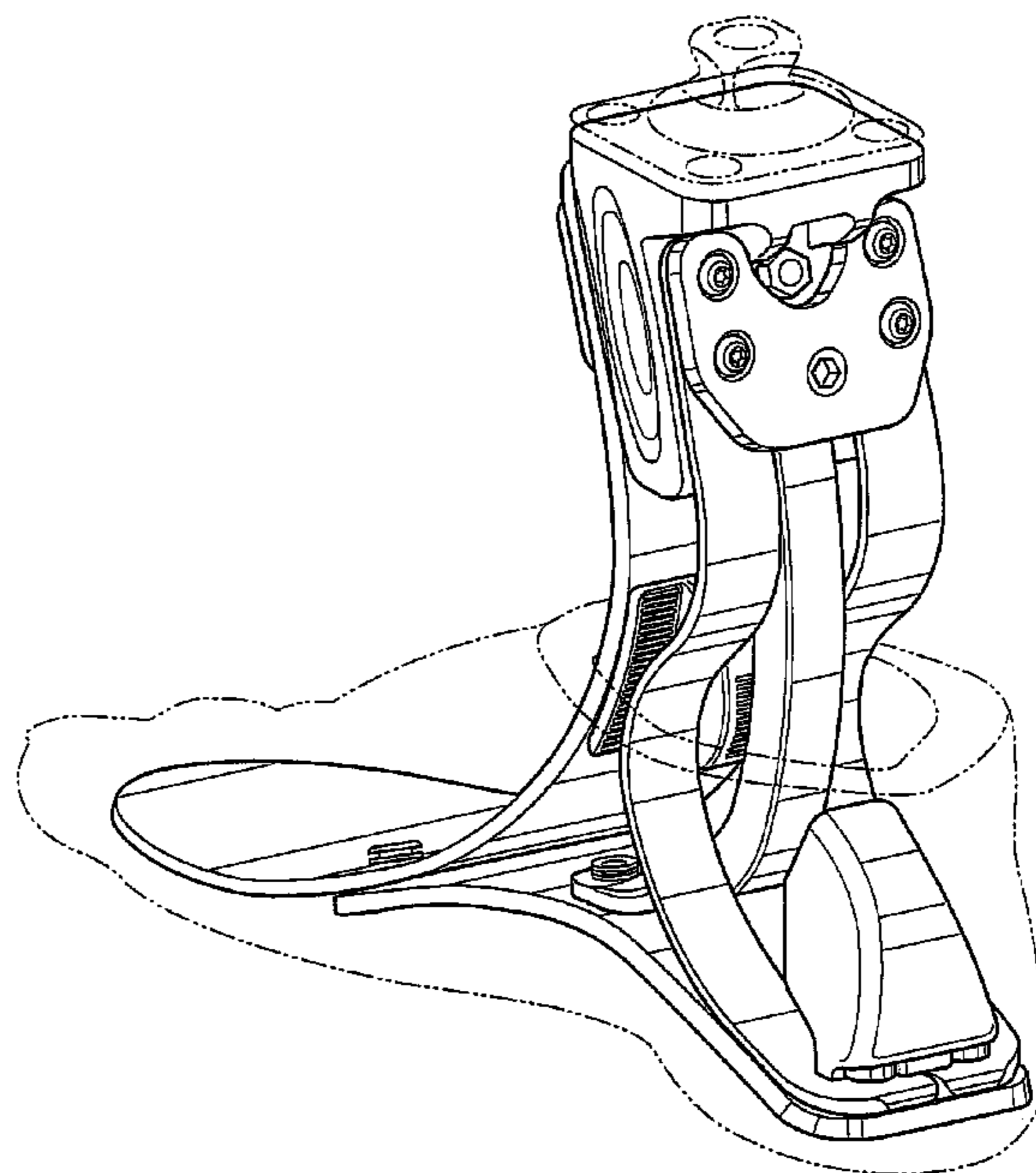
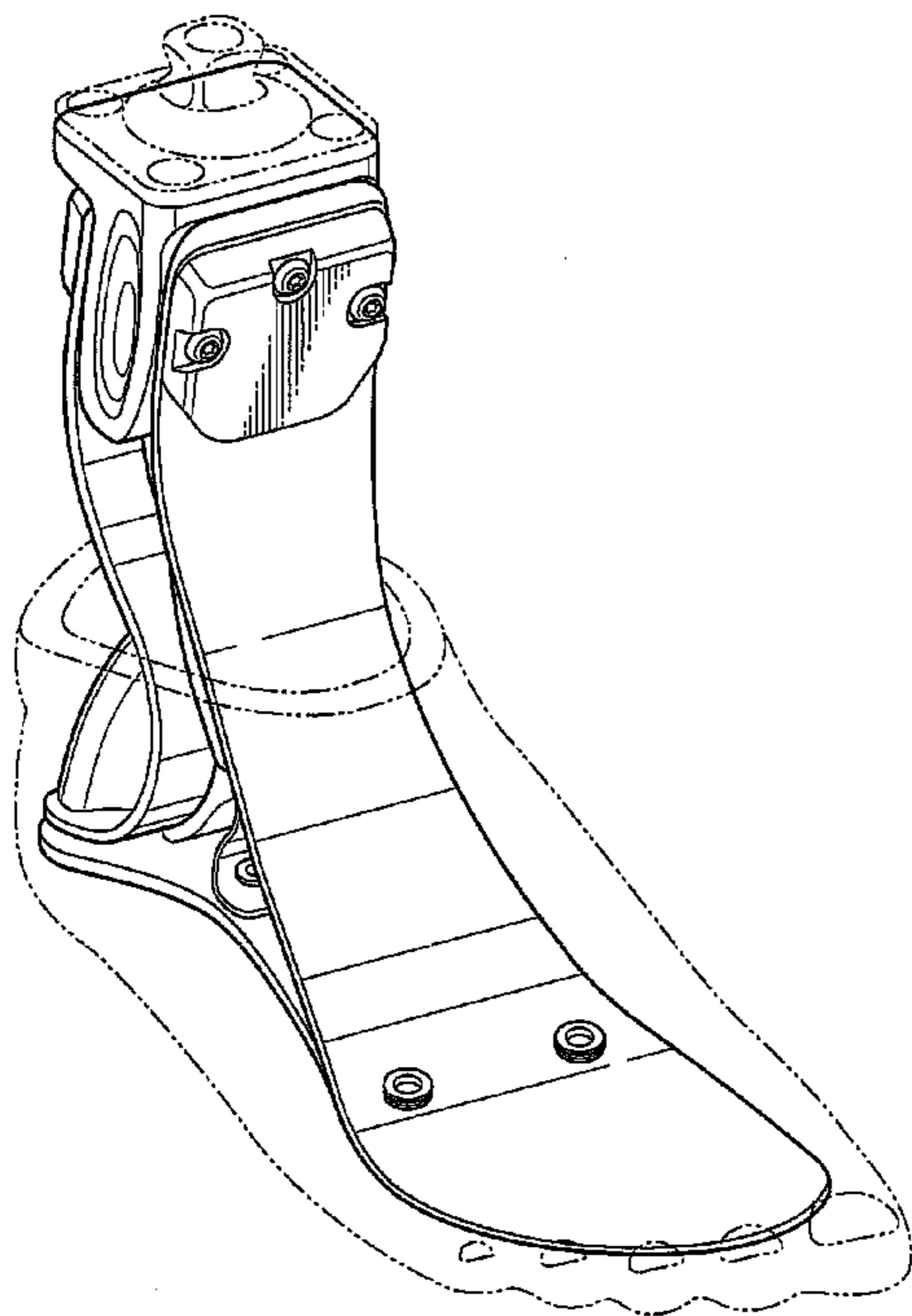
FIG. 5 is a right side elevation view thereof.

FIG. 6 is a left side elevation view thereof.

FIG. 7 is a top plan view thereof; and,

FIG. 8 is a bottom plan view thereof.

1 Claim, 6 Drawing Sheets



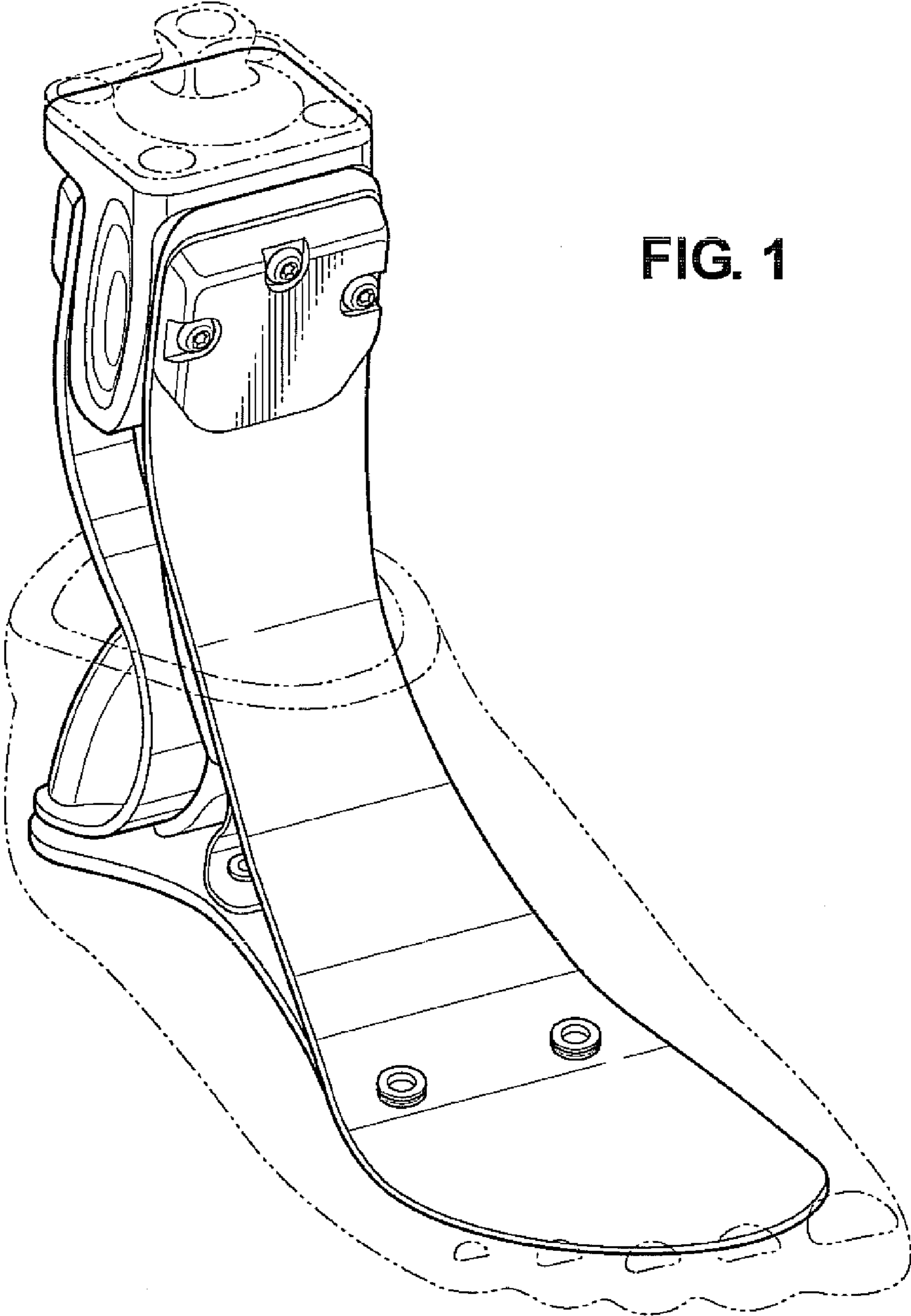


FIG. 1

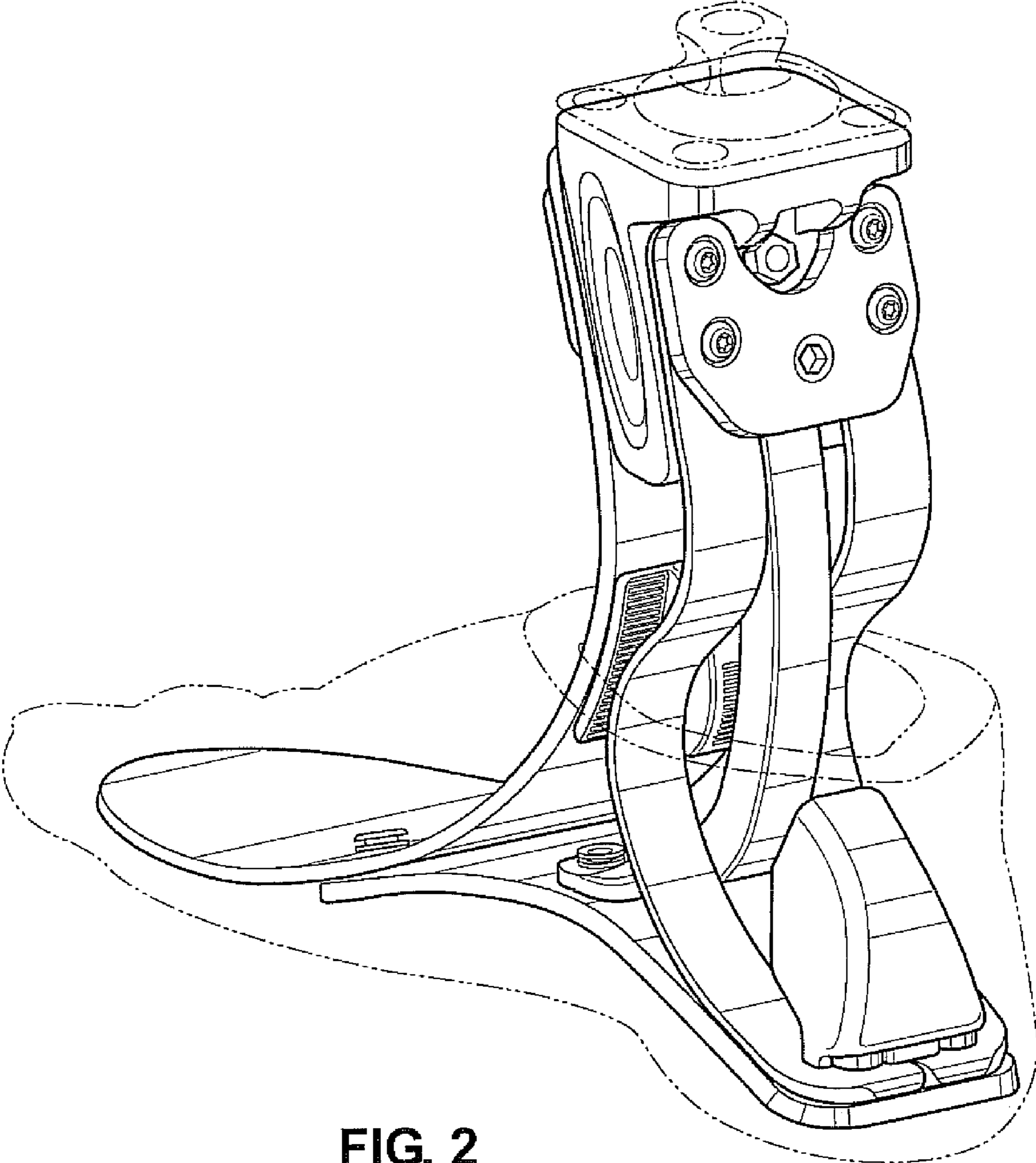


FIG. 2

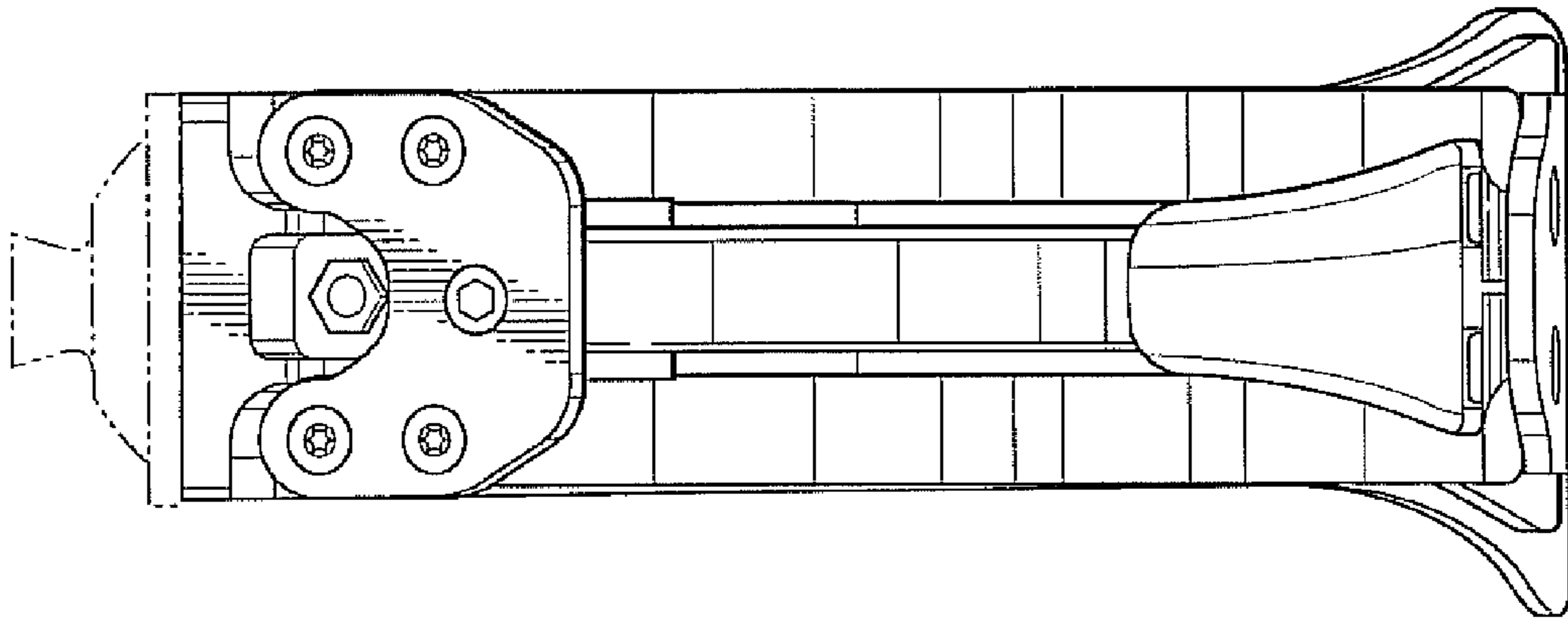


FIG. 4

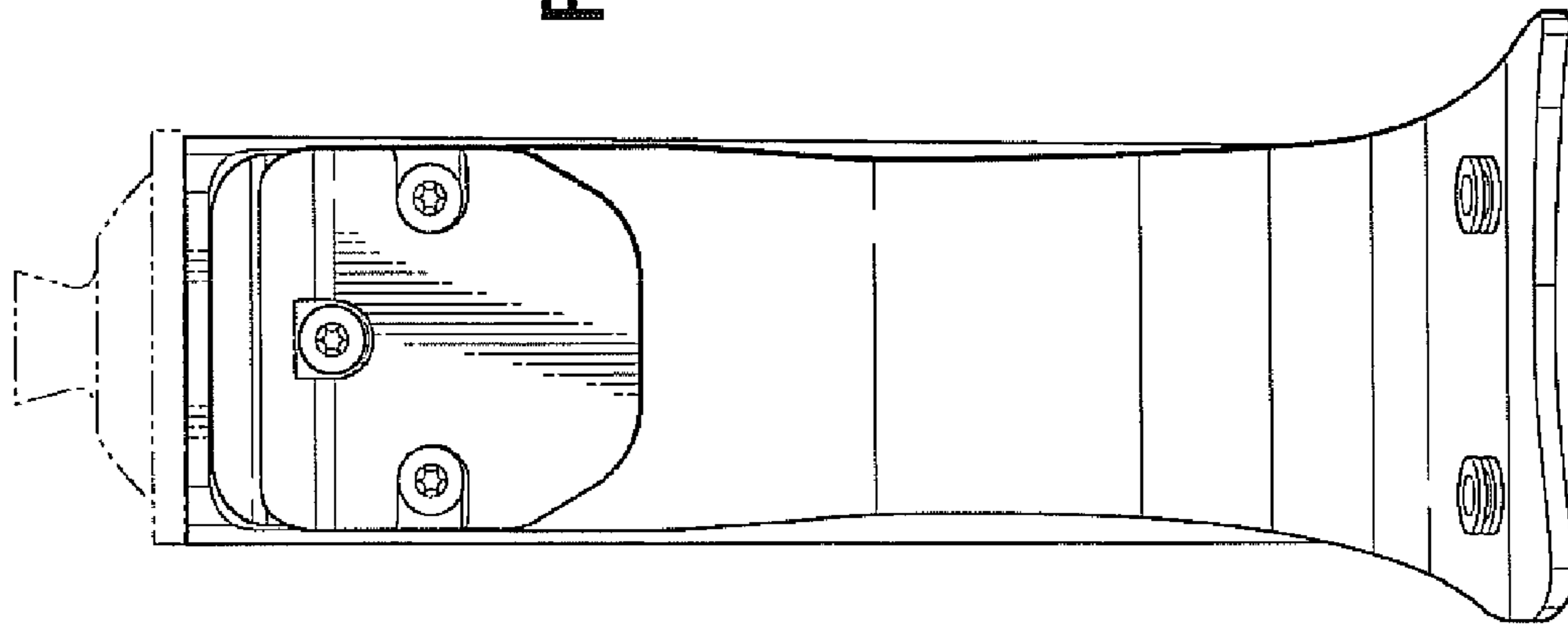
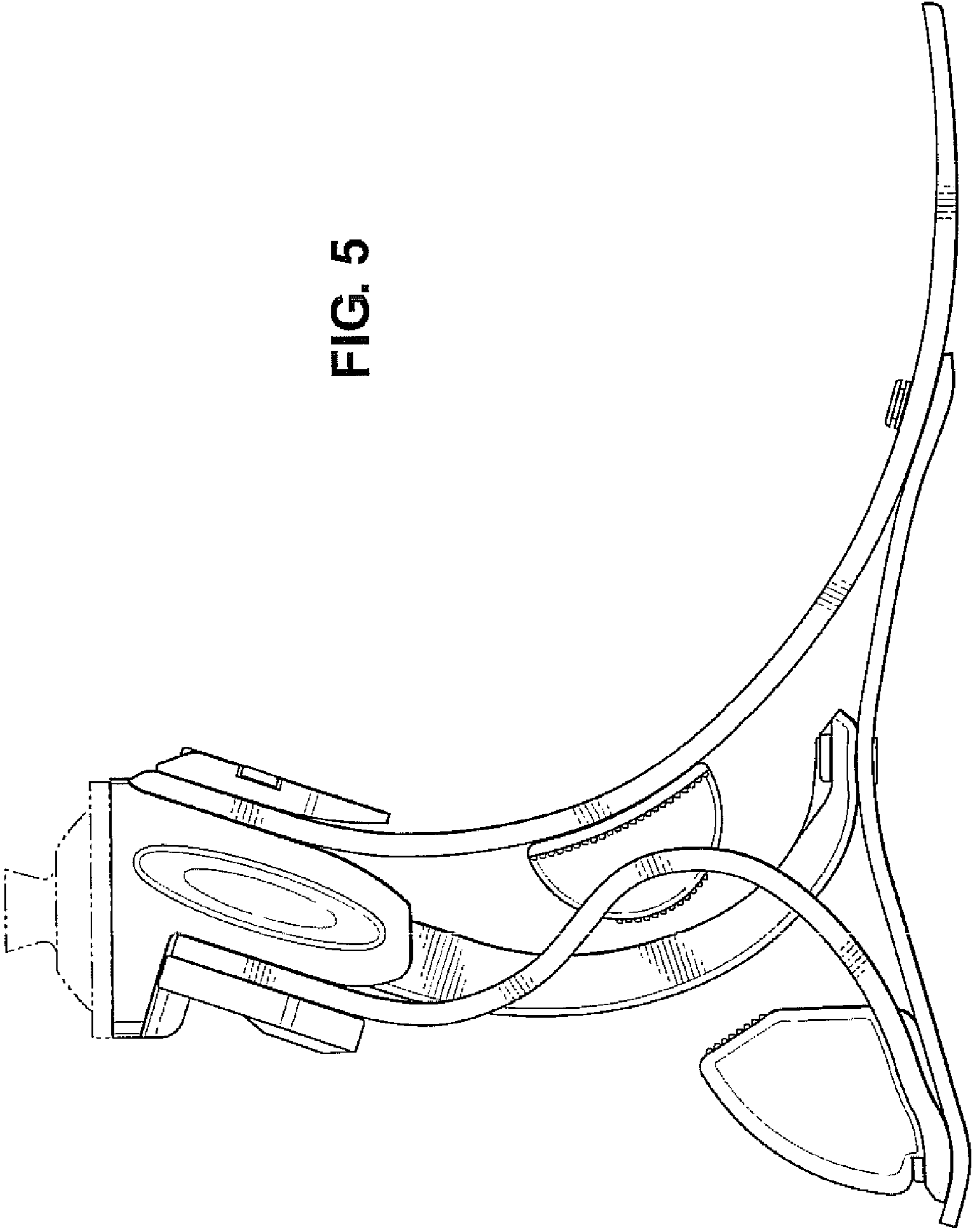


FIG. 3

FIG. 5



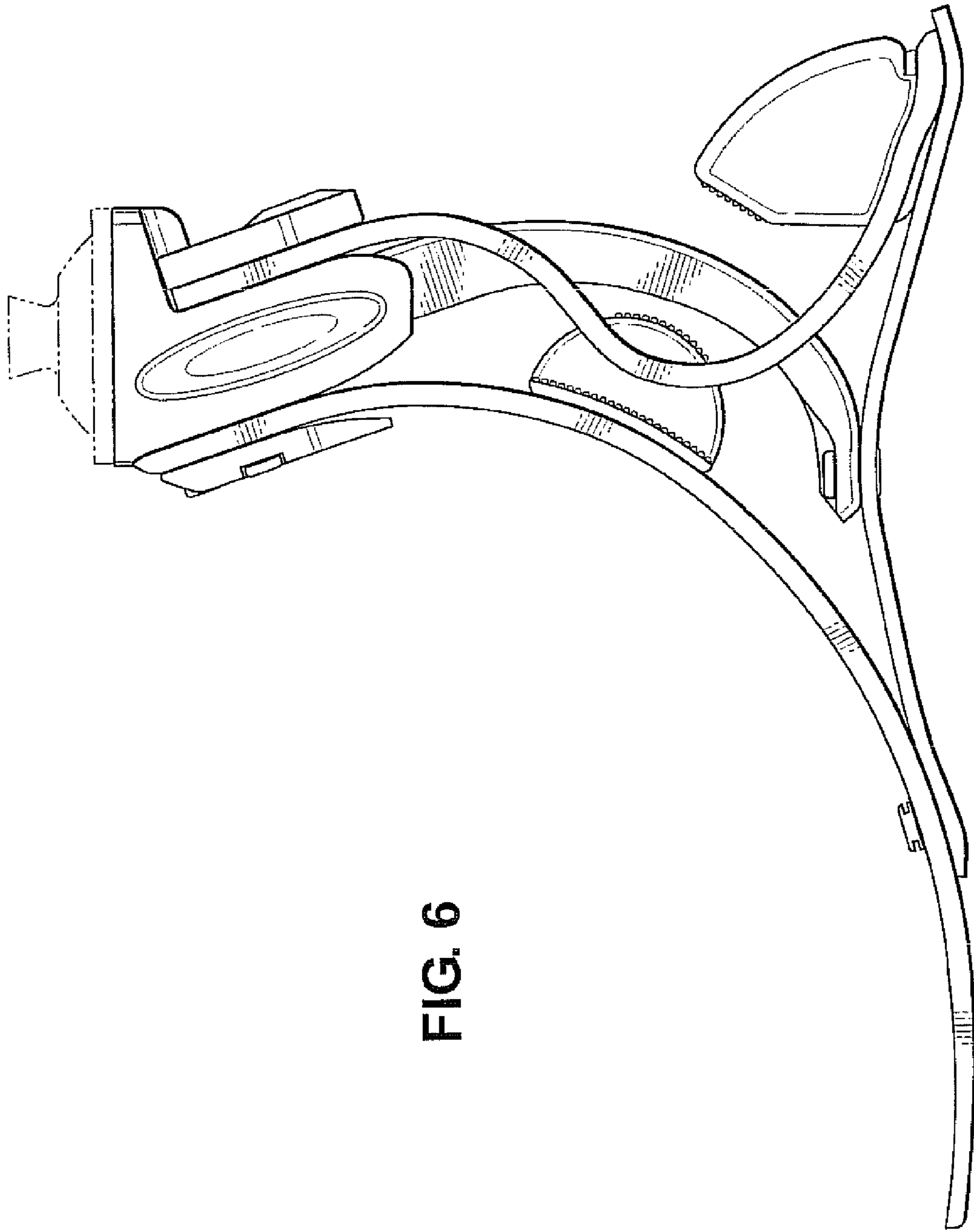


FIG. 6

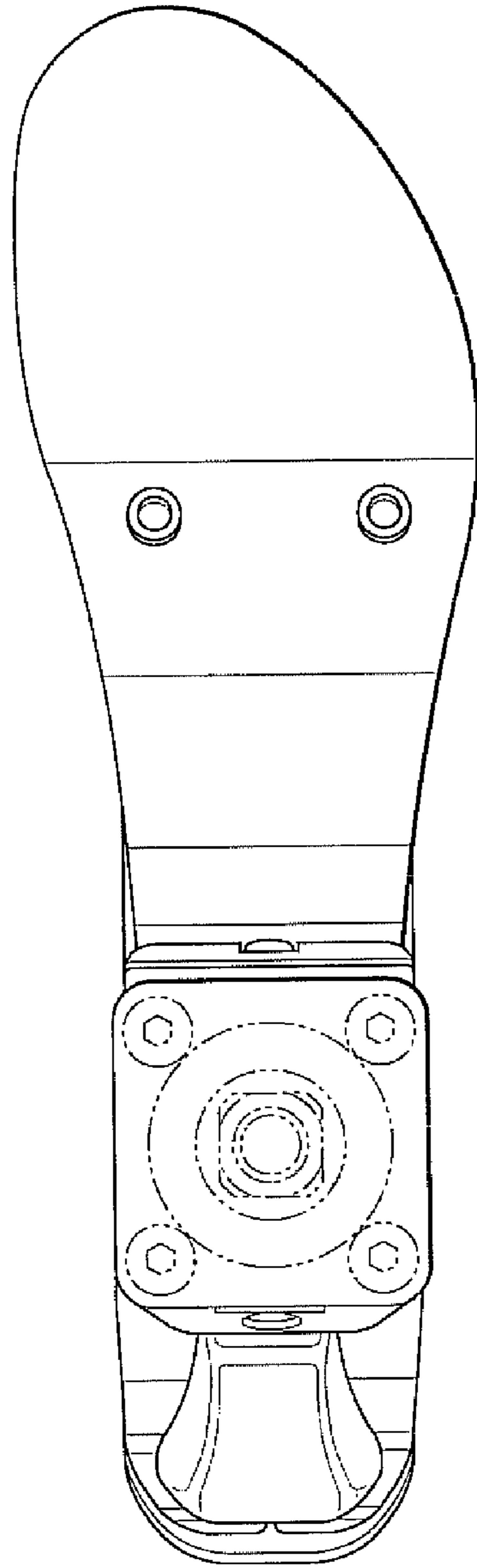


FIG. 7

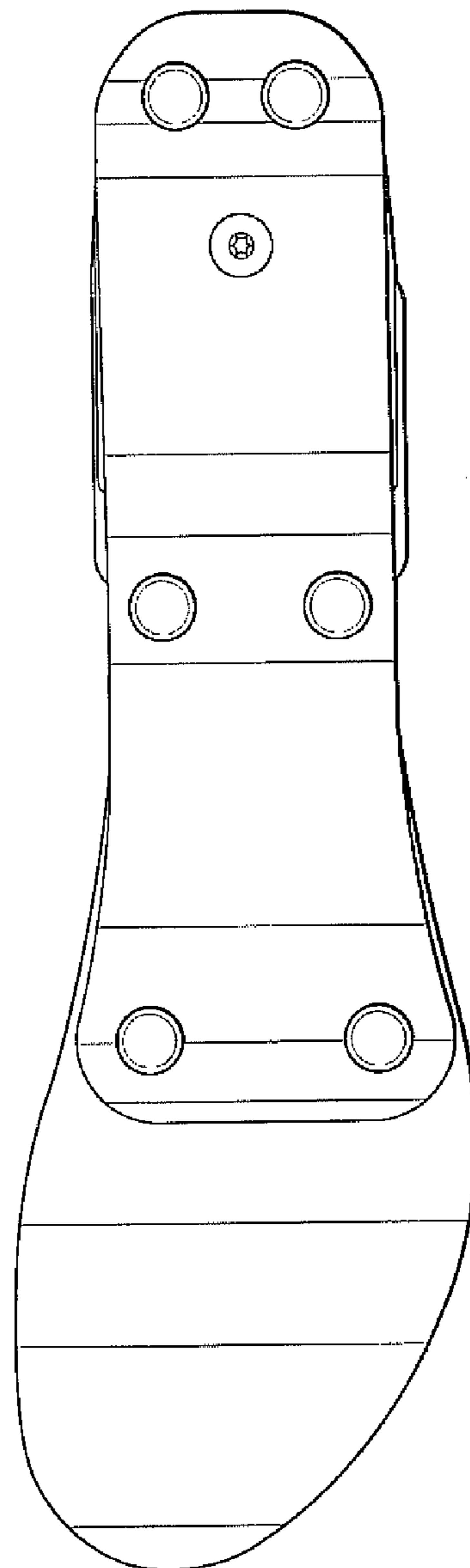


FIG. 8