



US00D633617S

(12) **United States Design Patent**  
**Bricker et al.**

(10) **Patent No.:** **US D633,617 S**  
(45) **Date of Patent:** **\*\* Mar. 1, 2011**

(54) **EYE SHROUD**

(75) Inventors: **Anthony L. Bricker**, Orem, UT (US);  
**Vincent S. Warner**, Alpine, UT (US)

(73) Assignee: **Field Optics Research, Inc.**, Orem, UT (US)

(\*\*) Term: **14 Years**

(21) Appl. No.: **29/346,420**

(22) Filed: **Oct. 30, 2009**

(51) **LOC (9) Cl.** ..... **24-02**

(52) **U.S. Cl.** ..... **D24/150**

(58) **Field of Classification Search** ..... D24/150,  
D24/133, 140; 606/1, 5, 6, 107, 161, 166,  
606/172; 600/558; 351/200; 359/511, 600;  
D16/132, 133, 330

See application file for complete search history.

(56) **References Cited**

U.S. PATENT DOCUMENTS

893,972 A	7/1908	Bayless	
2,260,712 A	10/1941	Harrison	
2,378,508 A *	6/1945	Smyth	359/600
2,837,957 A	6/1958	Hori	
D196,610 S *	10/1963	Kolbeck	D24/150
3,315,362 A *	4/1967	Palmer	42/129
3,840,995 A	10/1974	Freiling	
3,842,431 A *	10/1974	Sakuma	396/534
4,061,146 A *	12/1977	Baehr et al.	606/107
4,089,117 A	5/1978	Villarreal	
4,119,984 A *	10/1978	Zajac	396/373
4,698,857 A	10/1987	Kastendieck et al.	
5,105,312 A	4/1992	Tiffen et al.	
5,166,719 A	11/1992	Chinzei et al.	
5,225,932 A	7/1993	Wannagot et al.	
5,506,727 A *	4/1996	Douglas et al.	359/600
D401,956 S	12/1998	Yamamoto	

5,870,226 A	2/1999	Sakamoto	
5,916,230 A *	6/1999	Brenneman et al.	606/172
5,943,174 A *	8/1999	Bryant et al.	359/809
6,254,240 B1 *	7/2001	Maciejewski et al.	359/611
6,488,381 B2	12/2002	Morgan, III	
7,104,658 B2	9/2006	Fischbach et al.	
7,488,074 B2 *	2/2009	Siminou et al.	351/245
2005/0174647 A1 *	8/2005	Fischbach et al.	359/600
2008/0186584 A1 *	8/2008	Ballard	359/611

OTHER PUBLICATIONS

Orion, Telescopes & Binoculars, Winged Rubber Eyeguard, Dec. 10, 2008, pp. 1-2, [http://www.telescope.com/control/product/~category\\_id=optical\\_aids](http://www.telescope.com/control/product/~category_id=optical_aids).

\* cited by examiner

*Primary Examiner*—Charles A Rademaker

*Assistant Examiner*—Carissa C Fitts

(74) *Attorney, Agent, or Firm*—Geoffrey E. Dobbin

(57) **CLAIM**

The ornamental design for an eye shroud, as shown and described.

**DESCRIPTION**

FIG. 1 is a perspective view of the eye shroud.

FIG. 2 is a top plan view of the eye shroud.

FIG. 3 is a left plan view of the eye shroud, the right plan view being a mirror image.

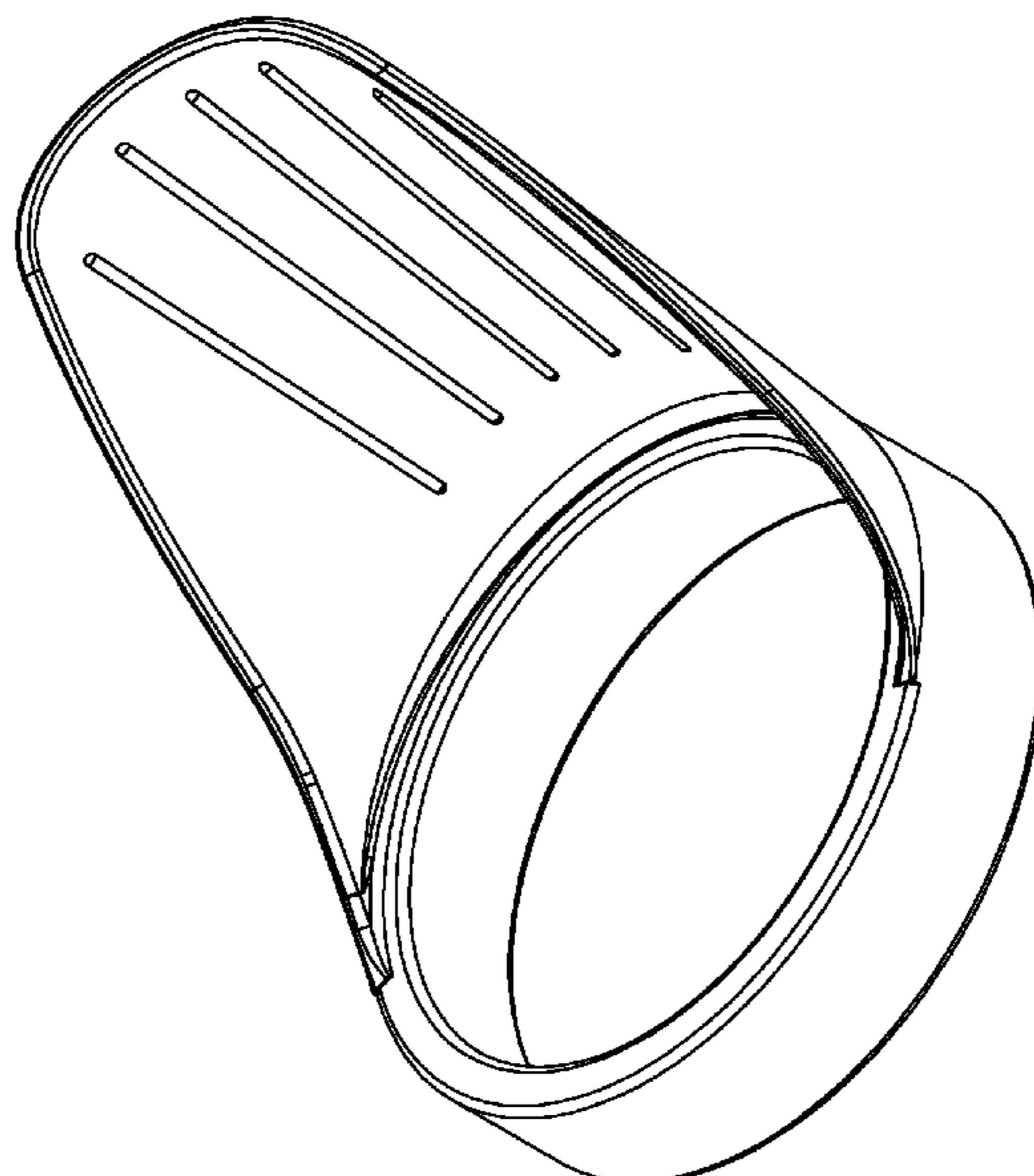
FIG. 4 is a front plan view of the eye shroud.

FIG. 5 is a sectional view of the eye shroud, taken along line 5—5 of FIG. 4; and,

FIG. 6 is a partial sectional view of the eye shroud, enlarged.

The right plan view is a mirror image of FIG. 3, the left plan view.

**1 Claim, 3 Drawing Sheets**



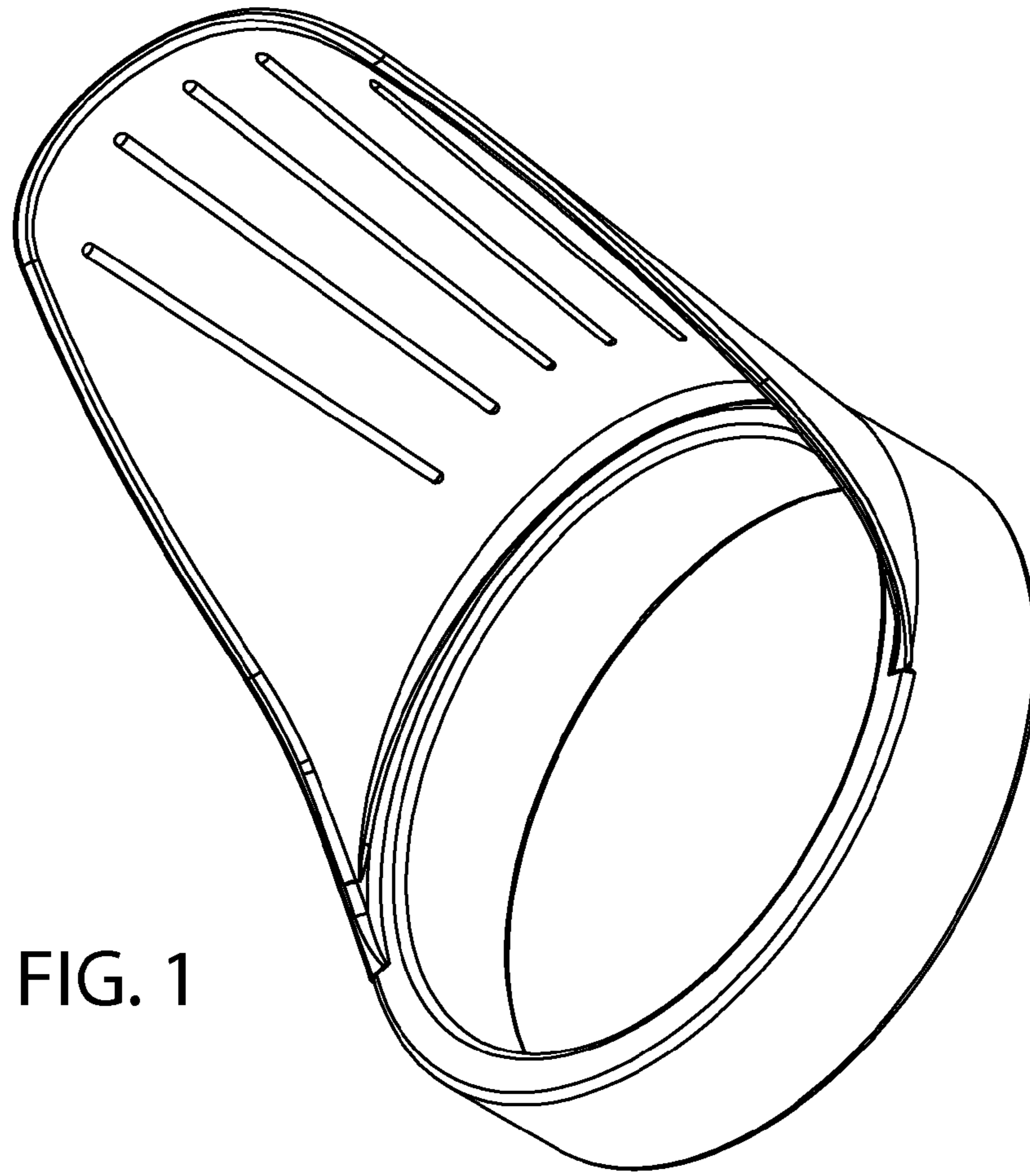


FIG. 1

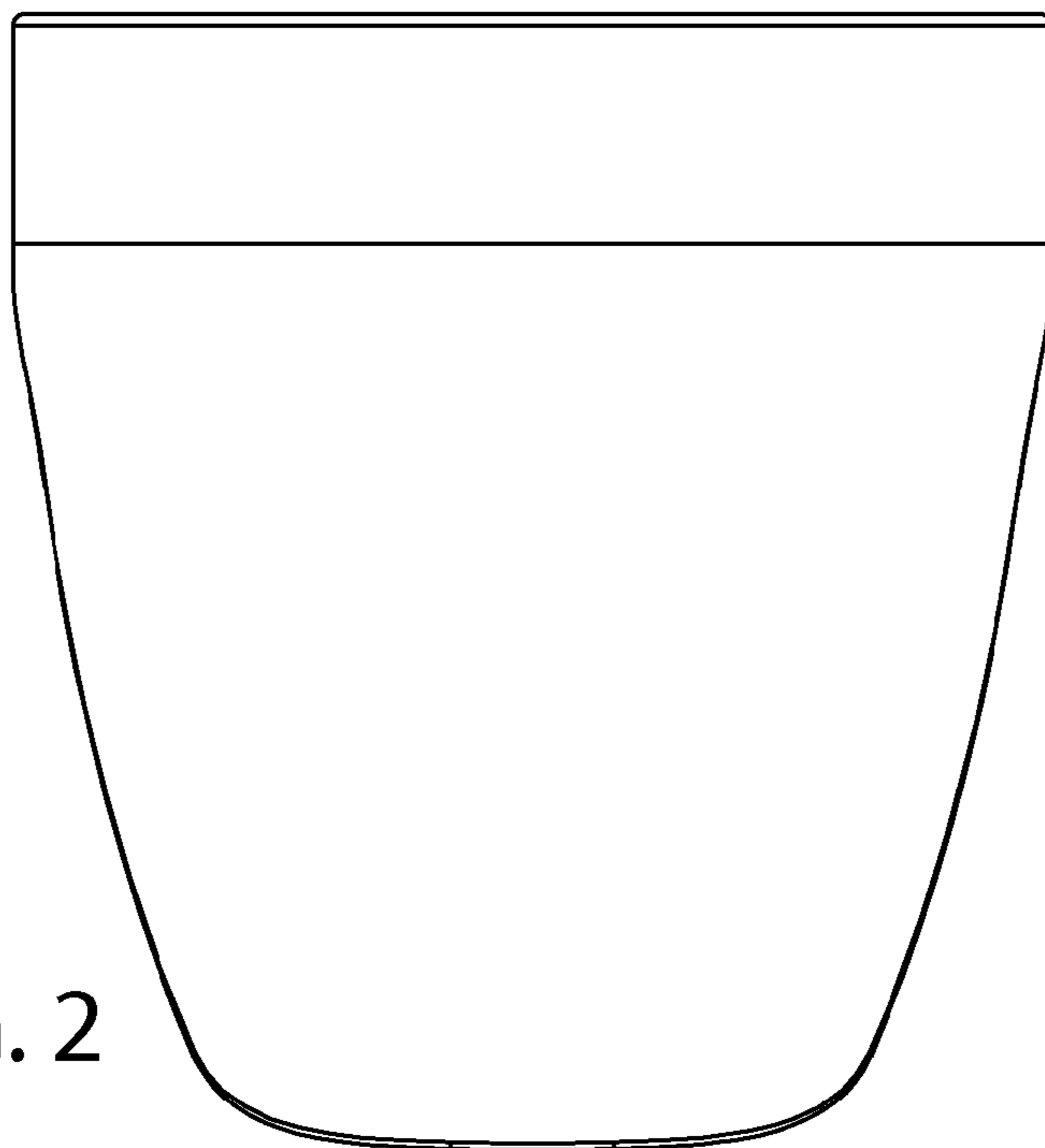


FIG. 2

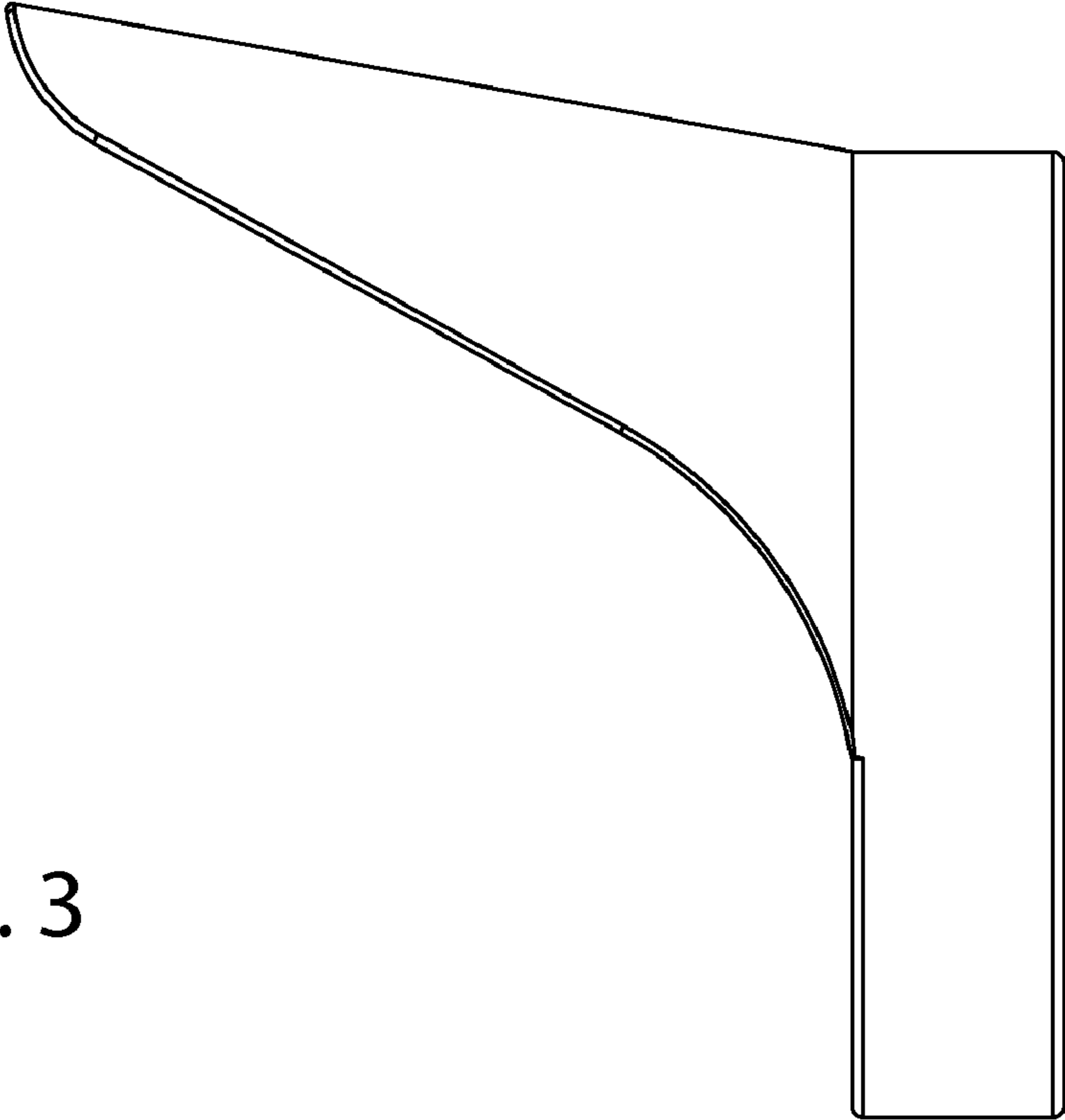


FIG. 3

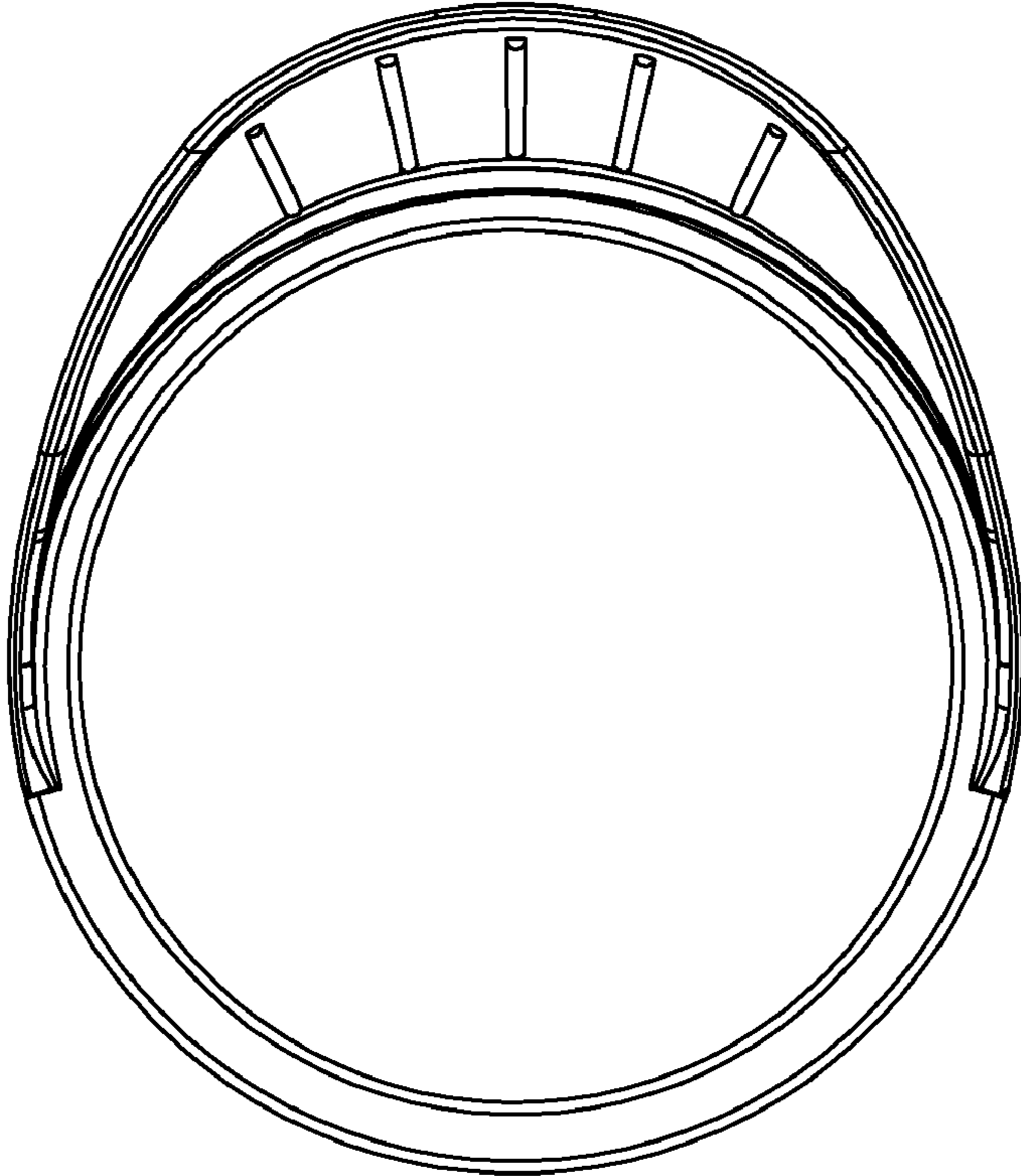
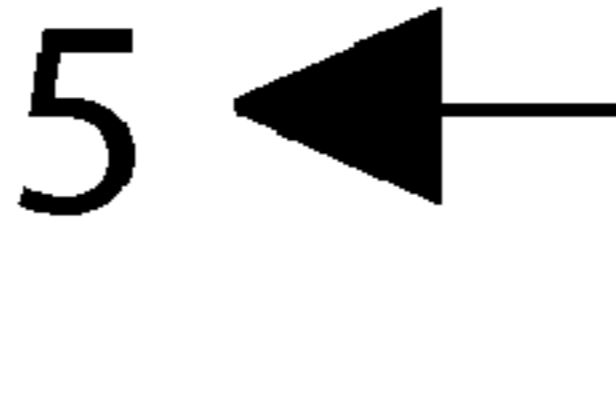
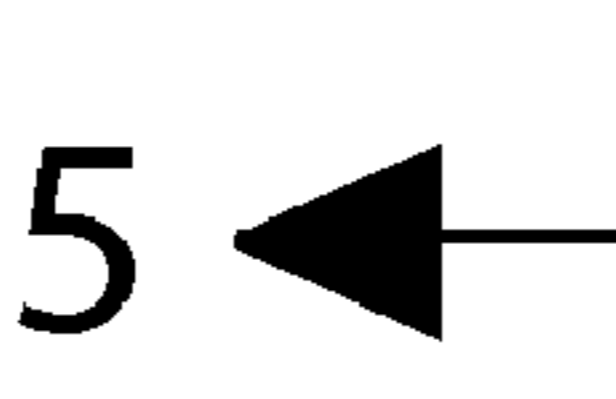


FIG. 4



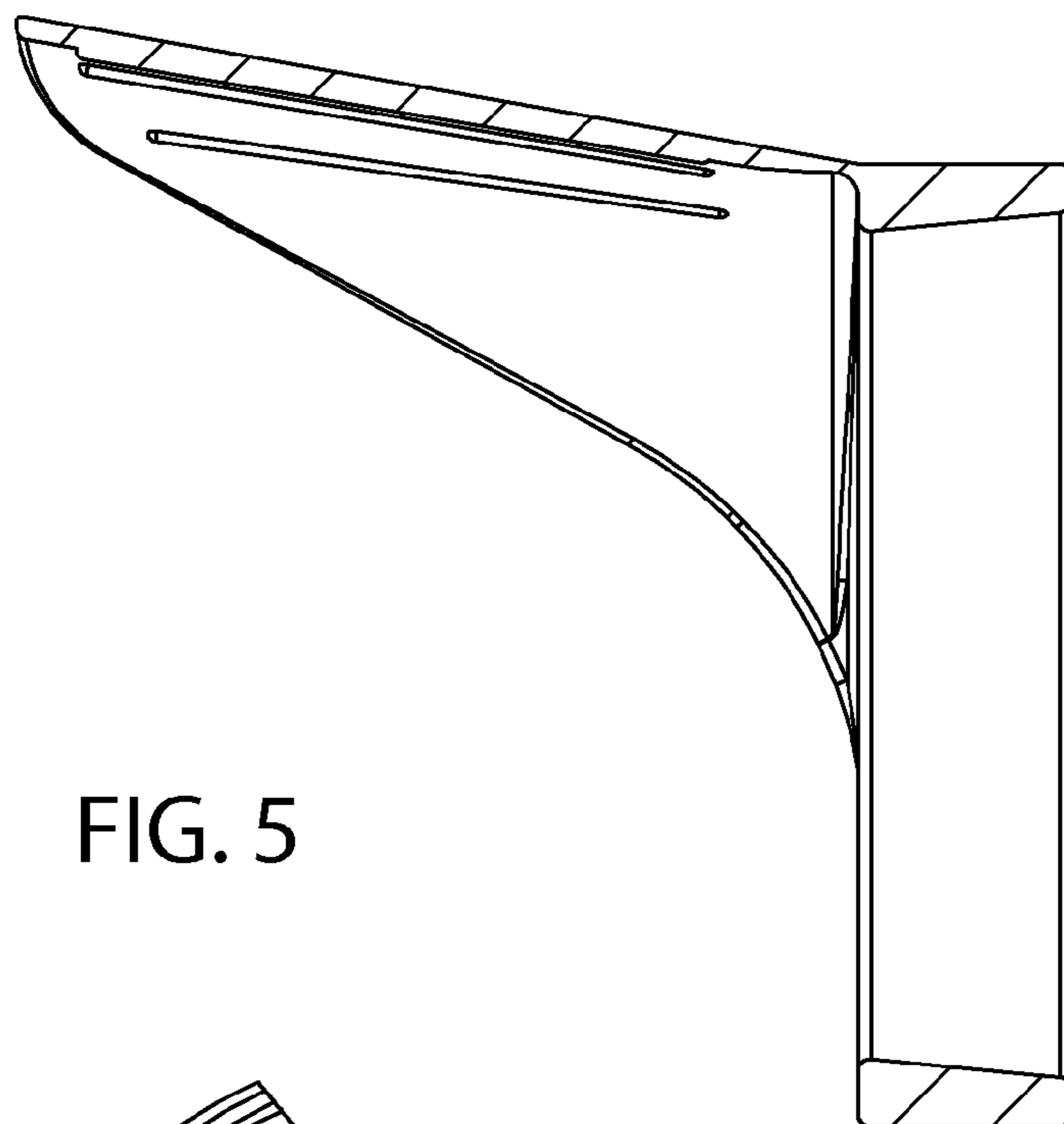


FIG. 5

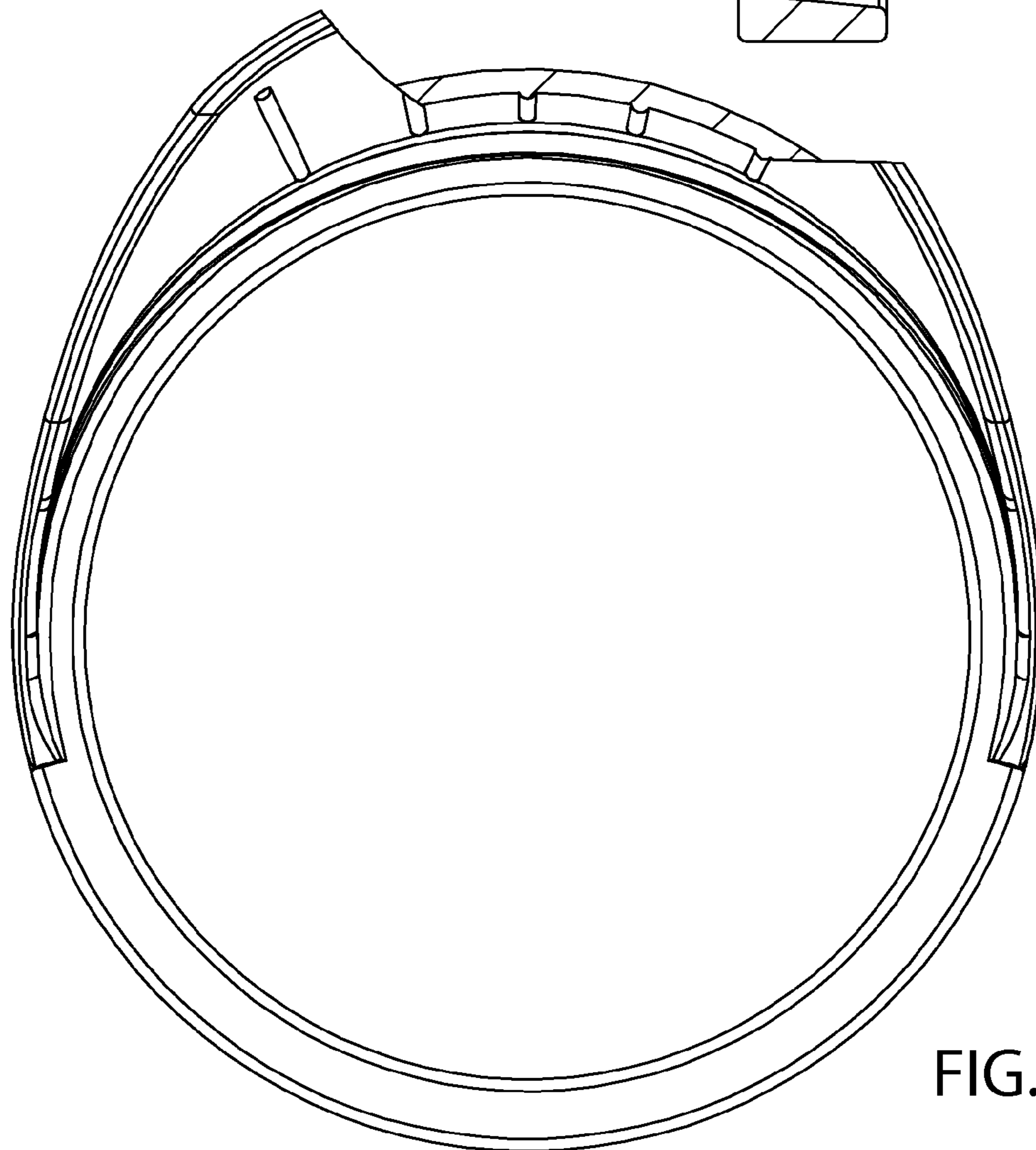


FIG. 6