



US00D633613S

(12) **United States Design Patent**  
**Risoli**

(10) **Patent No.:** **US D633,613 S**  
(45) **Date of Patent:** **\*\* \*Mar. 1, 2011**

(54) **HANDLE FOR A MEDICAL INSTRUMENT**

FOREIGN PATENT DOCUMENTS

(75) Inventor: **Fabio Risoli**, Steisslingen (DE)

EM 001110407-0005 \* 3/2009

(73) Assignee: **Karl Storz GmbH & Co. KG** (DE)

(\* ) Notice: This patent is subject to a terminal disclaimer.

(Continued)

(\*\*) Term: **14 Years**

OTHER PUBLICATIONS

(21) Appl. No.: **29/344,065**

STORZ Advertising Literature—Arthroscopy, Sports Medicine Spine Surgery; 3rd Edition; Jan. 2008; 3 pages (pp. CV 101 and V 94).

(22) Filed: **Sep. 23, 2009**

(Continued)

(30) **Foreign Application Priority Data**

Mar. 23, 2009 (EM) ..... 001110407-0005

*Primary Examiner*—Bridget L Eland

(74) *Attorney, Agent, or Firm*—St. Onge Steward Johnston & Reens LLC

(51) **LOC (9) Cl.** ..... **24-02**

(52) **U.S. Cl.** ..... **D24/133; D24/138**

(58) **Field of Classification Search** ..... D24/133, D24/134, 135, 136, 137, 138, 139, 140, 141, D24/142, 143, 146, 150, 152, 144, 145, 147, D24/148, 149, 151, 153, 154, 127, 128, 129, D24/130, 107–108, 112, 111, 200; D23/233, D23/235; D8/40, 47, 57, 60, 67, 68, 69, D8/80, 82, 83, 84, 93, 94, 97, 107, 72, 73, D8/74, 52, 56; 600/101, 104, 105, 106, 109, 600/112, 131, 135, 160, 162, 215, 431, 564, 600/568, 184, 220–223, 224, 225–227, 201–203, 600/210–218; 606/129, 186, 4, 5, 6, 7, 102, 606/86 A, 86 B, 119, 151, 157, 191–200; 81/9.22; 604/48

See application file for complete search history.

(57) **CLAIM**

The ornamental design for a handle for a medical instrument, as shown and described.

**DESCRIPTION**

FIG. 1 is a left side perspective view of a handle for a medical instrument in accordance with the new design;

FIG. 2 is a left side view thereof;

FIG. 3 is a right side view thereof;

FIG. 4 is a top perspective view thereof;

FIG. 5 is a bottom perspective view thereof;

FIG. 6 is a rear perspective view thereof; and,

FIG. 7 is a front perspective view thereof.

The broken lines immediately adjacent the claimed areas represent the bounds of the claimed design while all other broken lines are directed to environment and are for illustrative purposes only; the broken lines form no part of the claimed design.

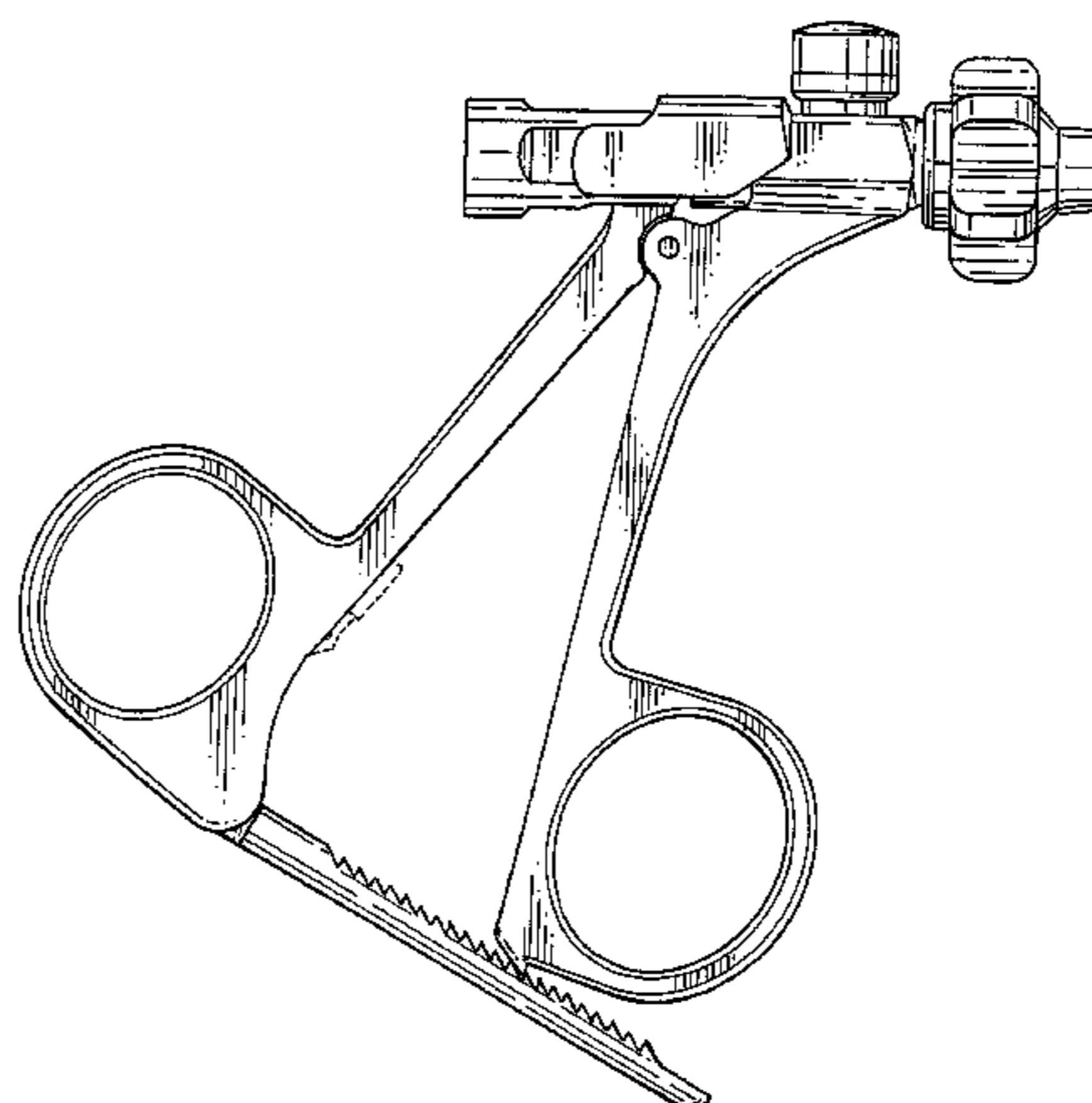
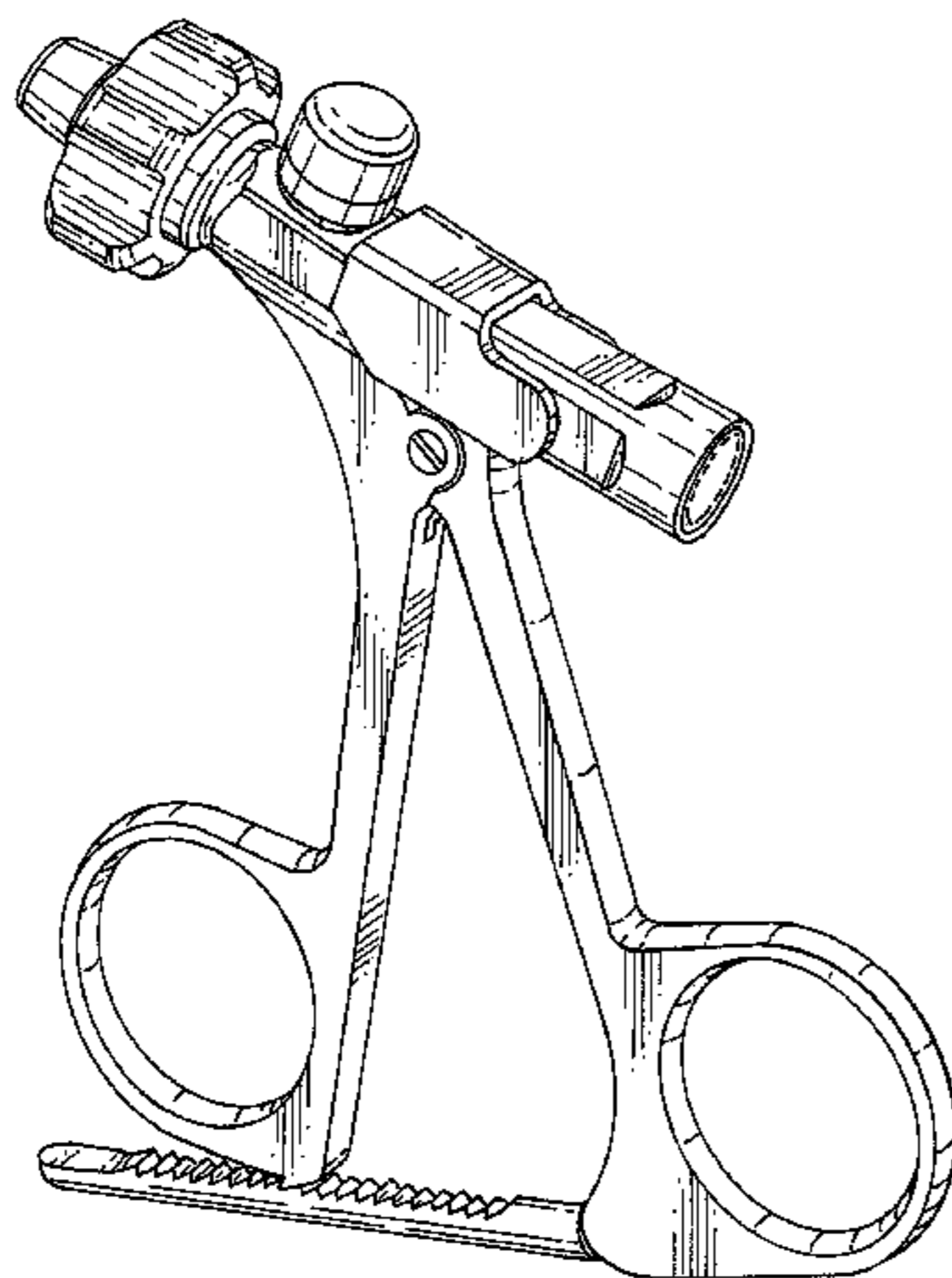
(56) **References Cited**

U.S. PATENT DOCUMENTS

3,914,866	A *	10/1975	Applegate	.....	30/233.5
4,950,273	A *	8/1990	Briggs	.....	606/113
5,174,300	A *	12/1992	Bales et al.	.....	600/564
D350,606	S *	9/1994	Koros et al.	.....	D24/143
D354,564	S *	1/1995	Medema	.....	D24/145

(Continued)

**1 Claim, 5 Drawing Sheets**



# US D633,613 S

Page 2

## U.S. PATENT DOCUMENTS

5,399,161 A \* 3/1995 Williams et al. .... 604/358  
5,474,056 A \* 12/1995 Laborie et al. .... 600/214  
D370,064 S \* 5/1996 Livneh ..... D24/146  
D391,818 S \* 3/1998 Carlson ..... D8/57  
D397,011 S \* 8/1998 Rosier ..... D8/68  
5,947,996 A \* 9/1999 Logeman ..... 606/205  
5,951,465 A \* 9/1999 Schiff et al. .... 600/224  
D416,089 S \* 11/1999 Barton et al. .... D24/145  
6,261,294 B1 \* 7/2001 Stihl et al. .... 606/83  
D457,958 S \* 5/2002 Dycus et al. .... D24/144  
D505,725 S \* 5/2005 Karl-Heinz ..... D24/146  
D536,444 S \* 2/2007 Bacher et al. .... D24/133  
D536,445 S \* 2/2007 Bacher et al. .... D24/133  
D541,416 S \* 4/2007 Baehr et al. .... D24/133  
D548,836 S \* 8/2007 Lang et al. .... D24/146

D557,415 S \* 12/2007 Bacher ..... D24/133  
D568,470 S \* 5/2008 Mouret ..... D24/135  
D580,548 S \* 11/2008 Mouret ..... D24/133  
D583,941 S \* 12/2008 Leroy ..... D24/135  
D605,761 S \* 12/2009 Stefan ..... D24/143  
2008/0242937 A1 \* 10/2008 DiNucci ..... 600/201

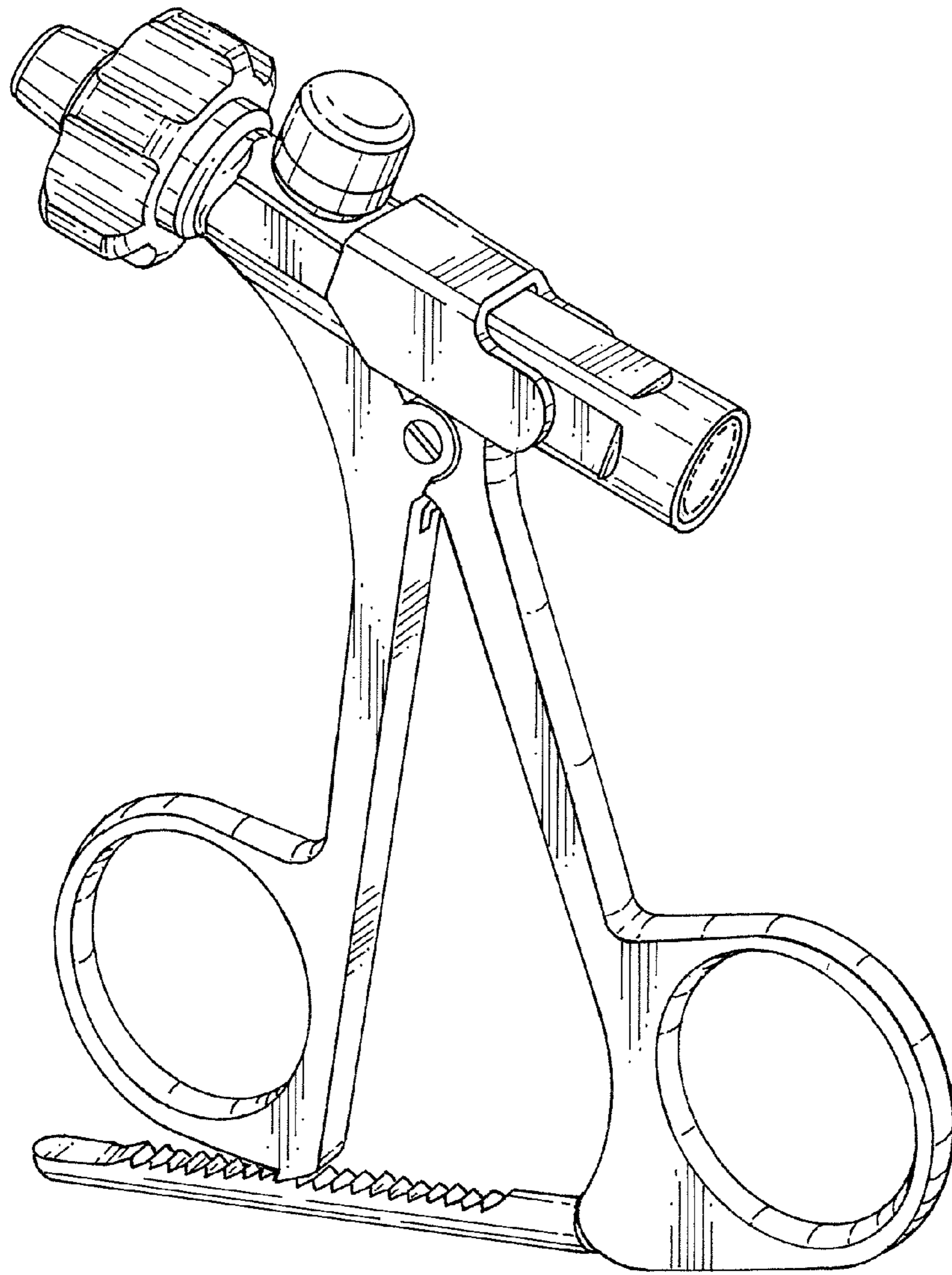
## FOREIGN PATENT DOCUMENTS

EM 001110407-0006 \* 3/2009  
EM 001110407-0007 \* 3/2009  
EM 001110407-0008 \* 3/2009

## OTHER PUBLICATIONS

STORZ Advertising Literature—Laparoscopy; 6th Edition; Jan. 2007; 2 pages (p. 101).

\* cited by examiner



*FIG. 1*

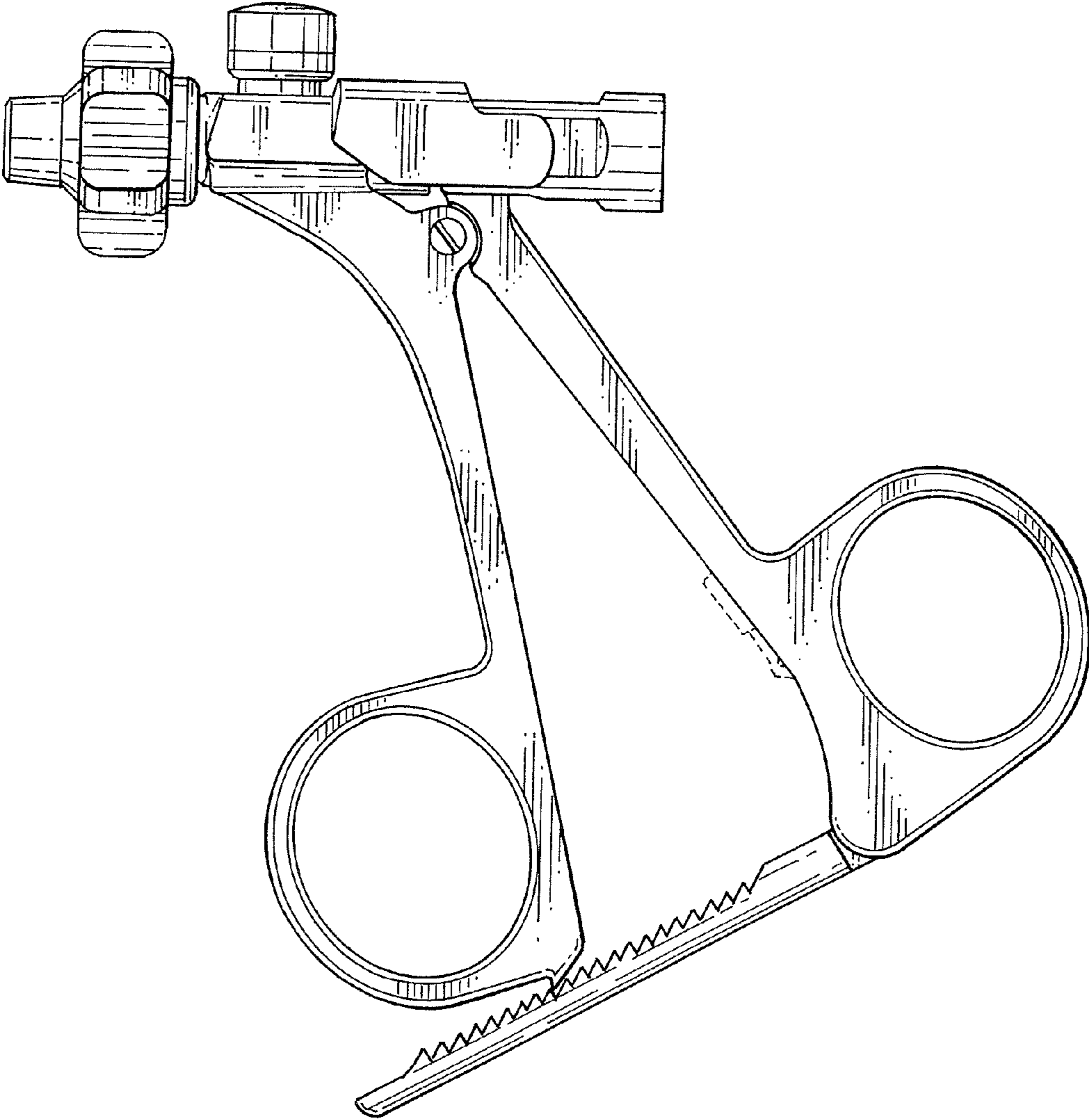
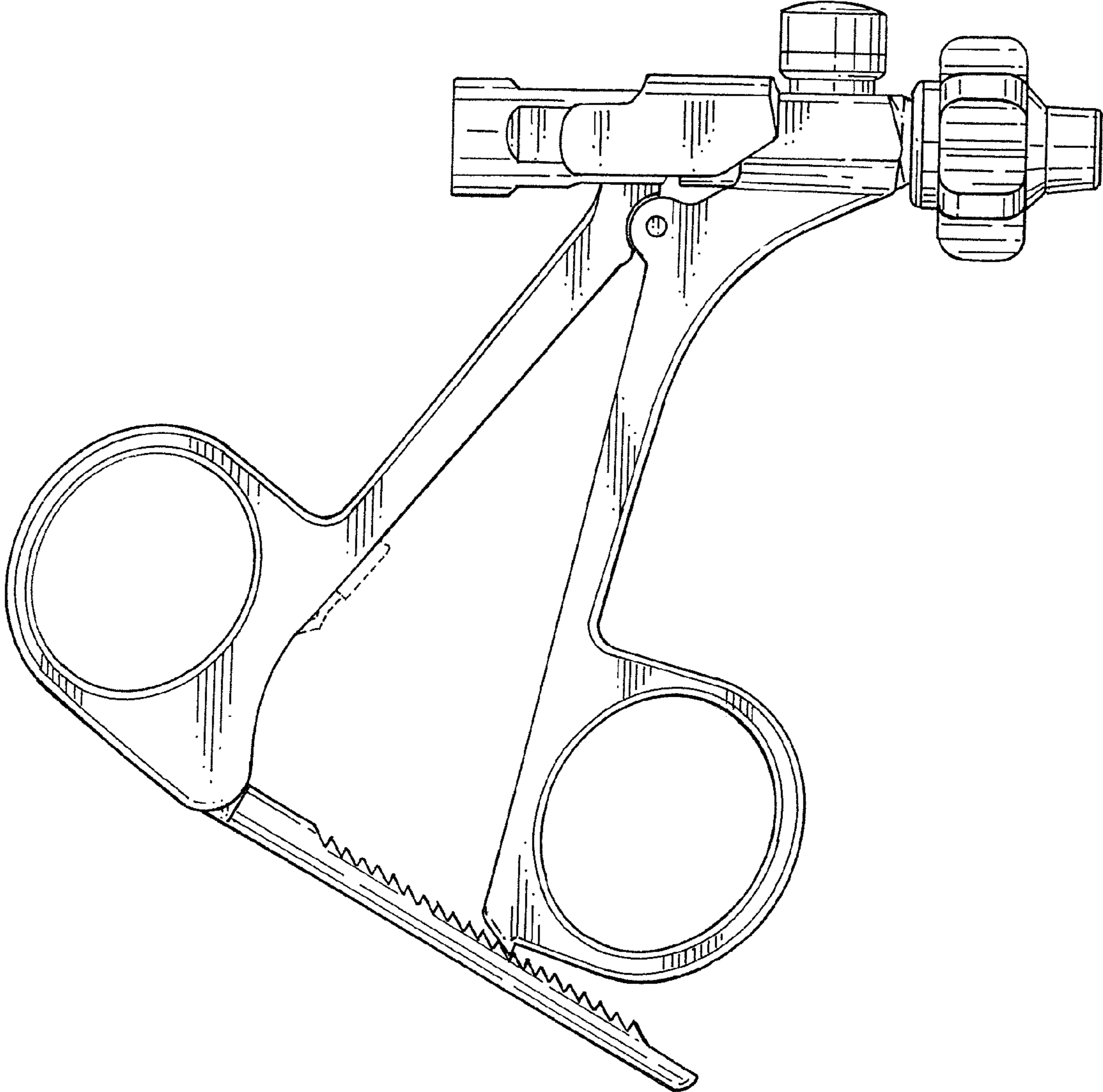
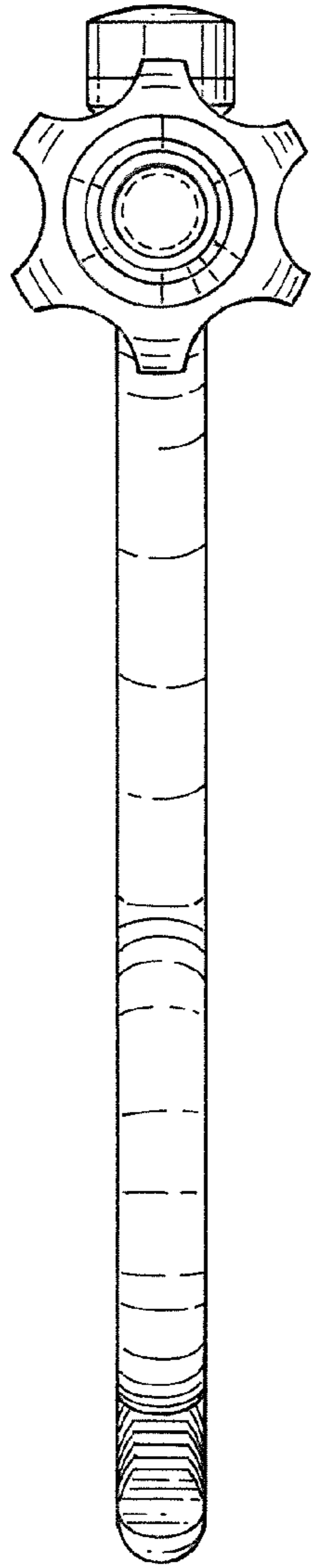


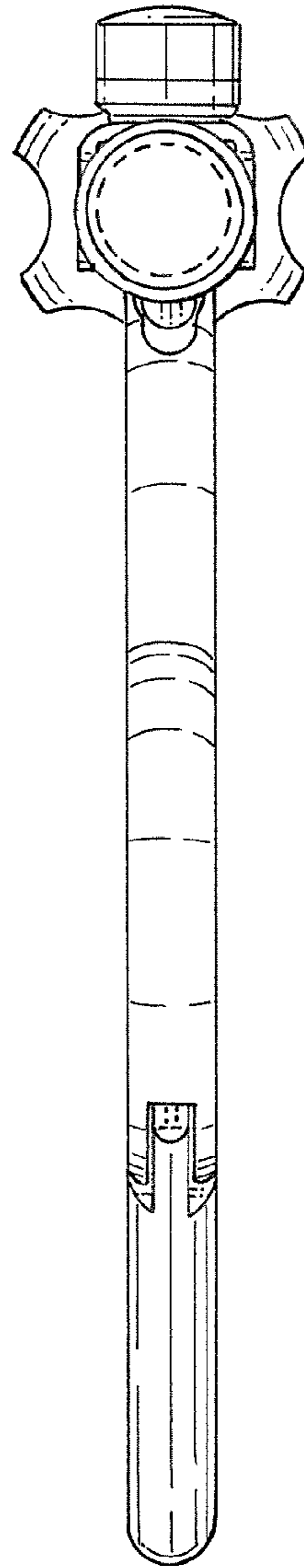
FIG. 2



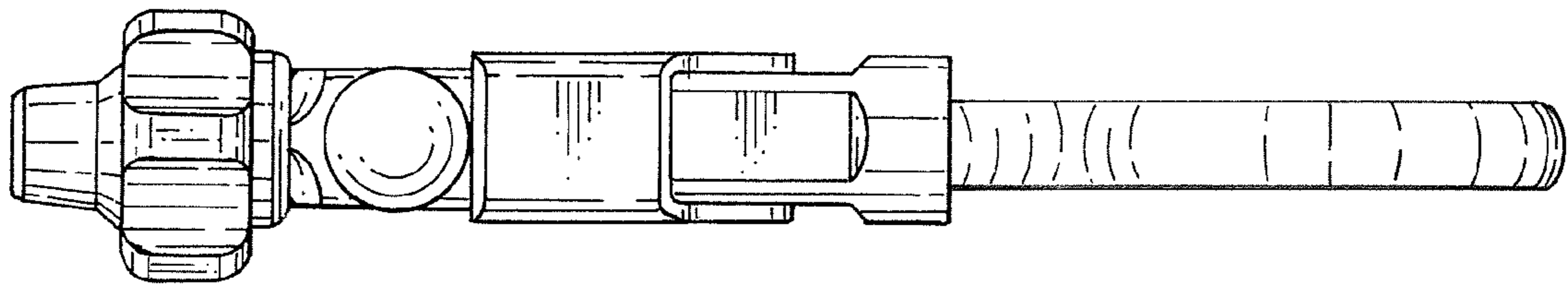
*FIG. 3*



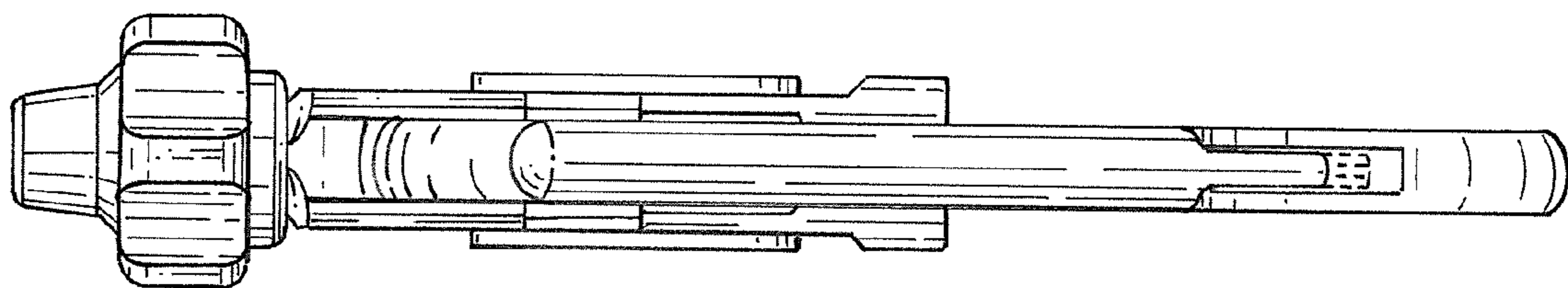
*FIG. 4*



*FIG. 5*



*FIG. 6*



*FIG. 7*