



US00D633612S

(12) **United States Design Patent**  
**Hartzell et al.**

(10) **Patent No.:** **US D633,612 S**  
(45) **Date of Patent:** **\*\* Mar. 1, 2011**

(54) **PORTABLE BLOWING MACHINE HOOD  
HAVING A FEEDER TRAY FOR BLOWING  
LOOSE FILL**

(75) Inventors: **Bruce Hartzell**, Mickelton, NJ (US);  
**Joseph Bondi**, Devon, PA (US);  
**Matthew Hartel**, Plymouth Meeting, PA  
(US); **Karen Lee Steele**, Downingtown,  
PA (US); **Dave Pacana**, Spring City, PA  
(US)

(73) Assignee: **CertainTeed Corporation**, Valley Forge,  
PA (US)

(\*\*) Term: **14 Years**

(21) Appl. No.: **29/333,889**

(22) Filed: **Mar. 17, 2009**

(51) **LOC (9) Cl.** ..... **23-04**

(52) **U.S. Cl.** ..... **D23/383**

(58) **Field of Classification Search** ..... D23/383,  
D23/370; 406/136; 428/34.1, 35.2; 241/60,  
241/80; 239/68

See application file for complete search history.

(56) **References Cited**

**U.S. PATENT DOCUMENTS**

5,639,033	A *	6/1997	Miller et al.	241/57
6,109,488	A *	8/2000	Horton	222/636
6,503,026	B1 *	1/2003	Mitchell	406/128
D568,458	S *	5/2008	Evans et al.	D23/383
7,731,115	B2 *	6/2010	Johnson et al.	241/101.8
2006/0024456	A1	2/2006	O'Leary et al.	
2006/0024457	A1	2/2006	O'Leary et al.	
2006/0024458	A1	2/2006	O'Leary et al.	
2006/0147660	A1	7/2006	O'Leary et al.	

2006/0231651	A1	10/2006	Evans et al.
2008/0087557	A1	4/2008	Evans et al.
2008/0087751	A1	4/2008	Johnson et al.
2008/0087752	A1	4/2008	Johnson et al.
2008/0089748	A1	4/2008	Johnson et al.
2008/0173737	A1	7/2008	Evans et al.

**OTHER PUBLICATIONS**

CertainTeed Corporation, Machine Comparison: Distance from Hopper Opening to Agitator bars; trade literature; "Atticat" and "Green Fiber" designs.

\* cited by examiner

*Primary Examiner*—Lisa P Lichtenstein

(74) *Attorney, Agent, or Firm*—Duane Morris LLP

(57) **CLAIM**

The ornamental design for a portable blowing machine hood having a feeder tray for blowing loose fill, as shown and described.

**DESCRIPTION**

FIG. 1: is a front, right side perspective view of the blowing machine hood according to our design;

FIG. 2: is a rear, right side perspective view thereof;

FIG. 3: is a rear plan view thereof;

FIG. 4: is a right side plan view thereof;

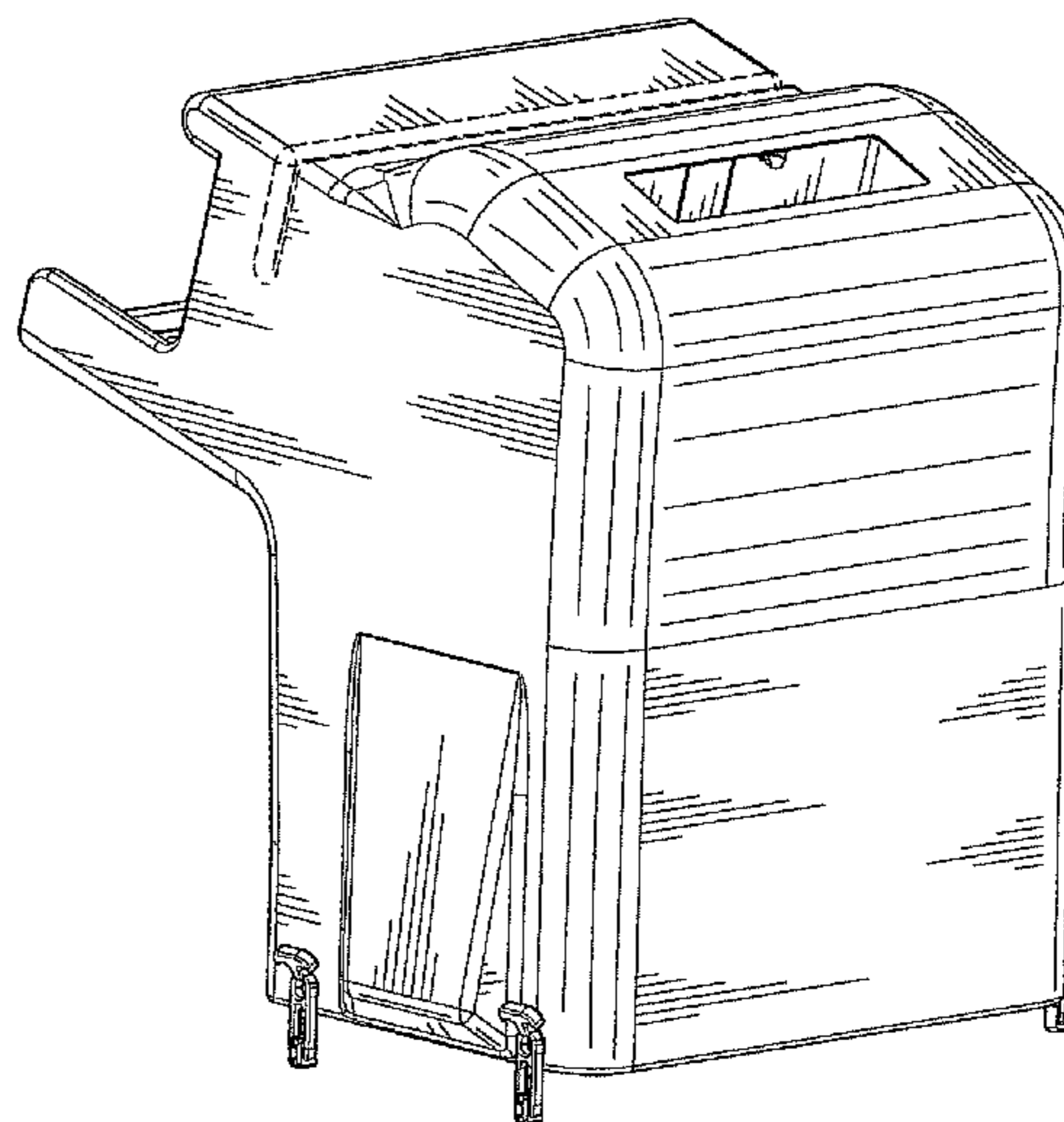
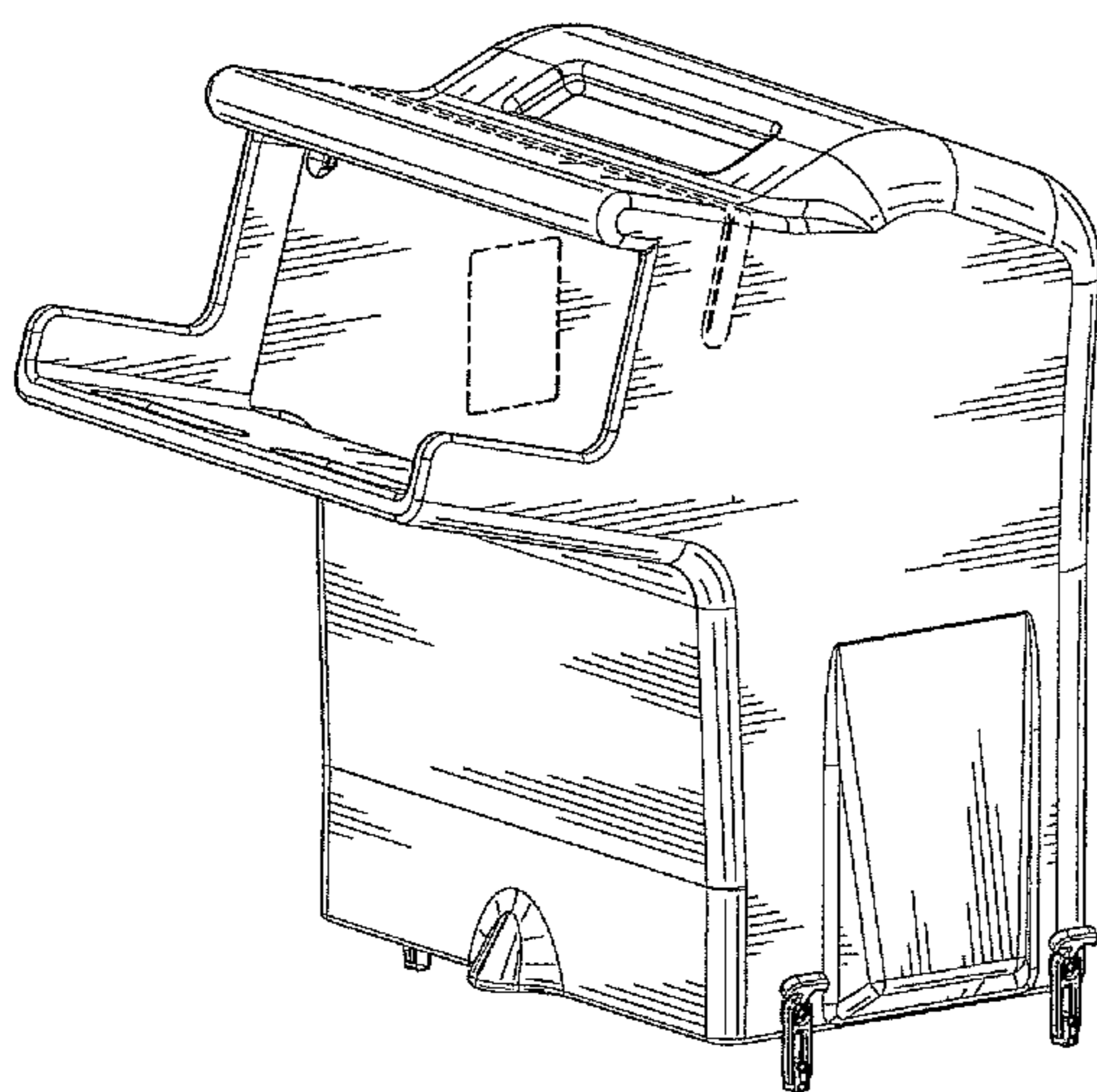
FIG. 5: is a front, left side perspective view thereof;

FIG. 6: is a bottom plan view thereof; and,

FIG. 7: is a top left side perspective view thereof.

The broken lines showing the knife slot for cutting packaged bags of loose fill insulation and a left side viewing window form no part of the claimed design.

**1 Claim, 7 Drawing Sheets**



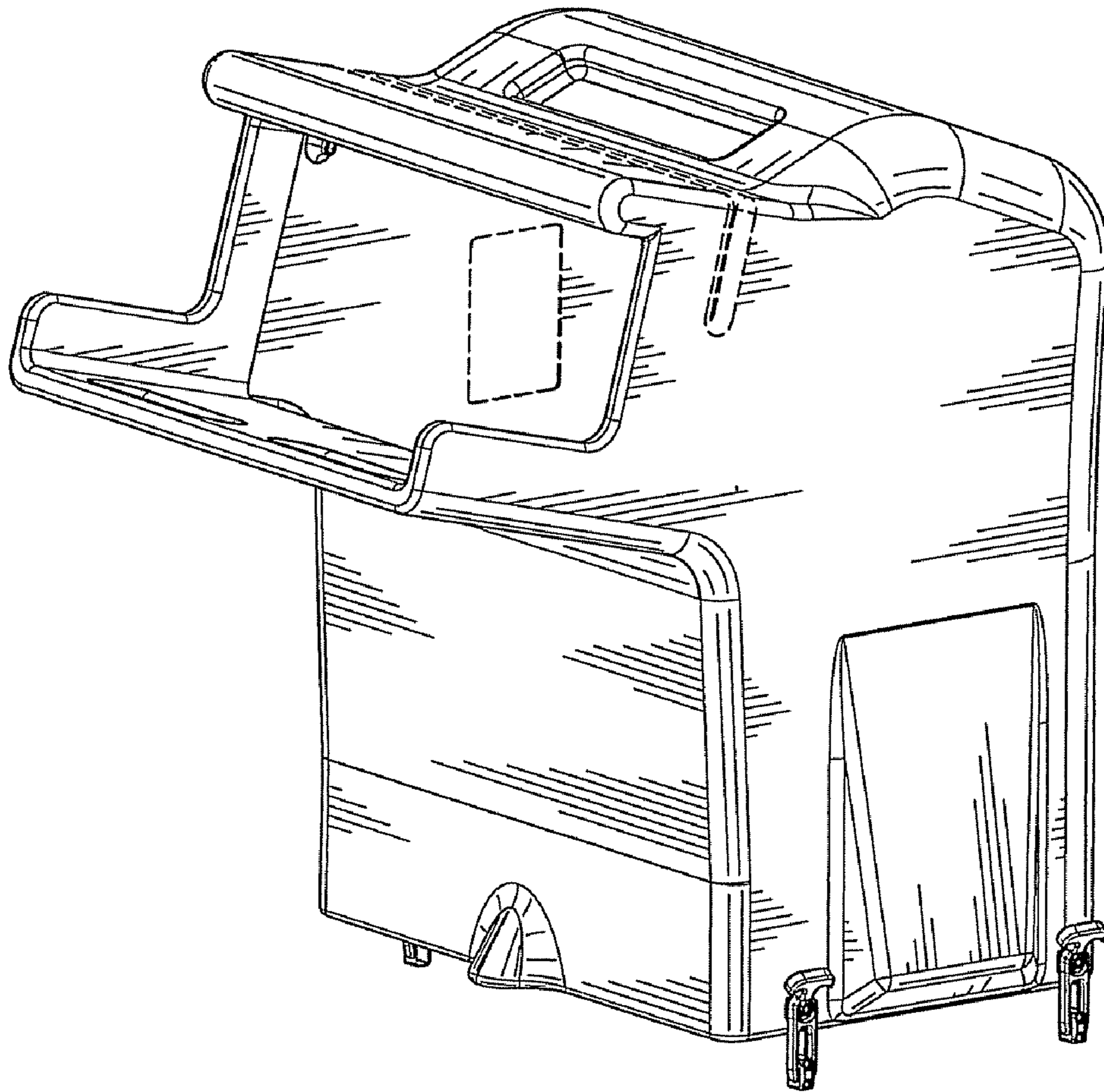


FIG. 1

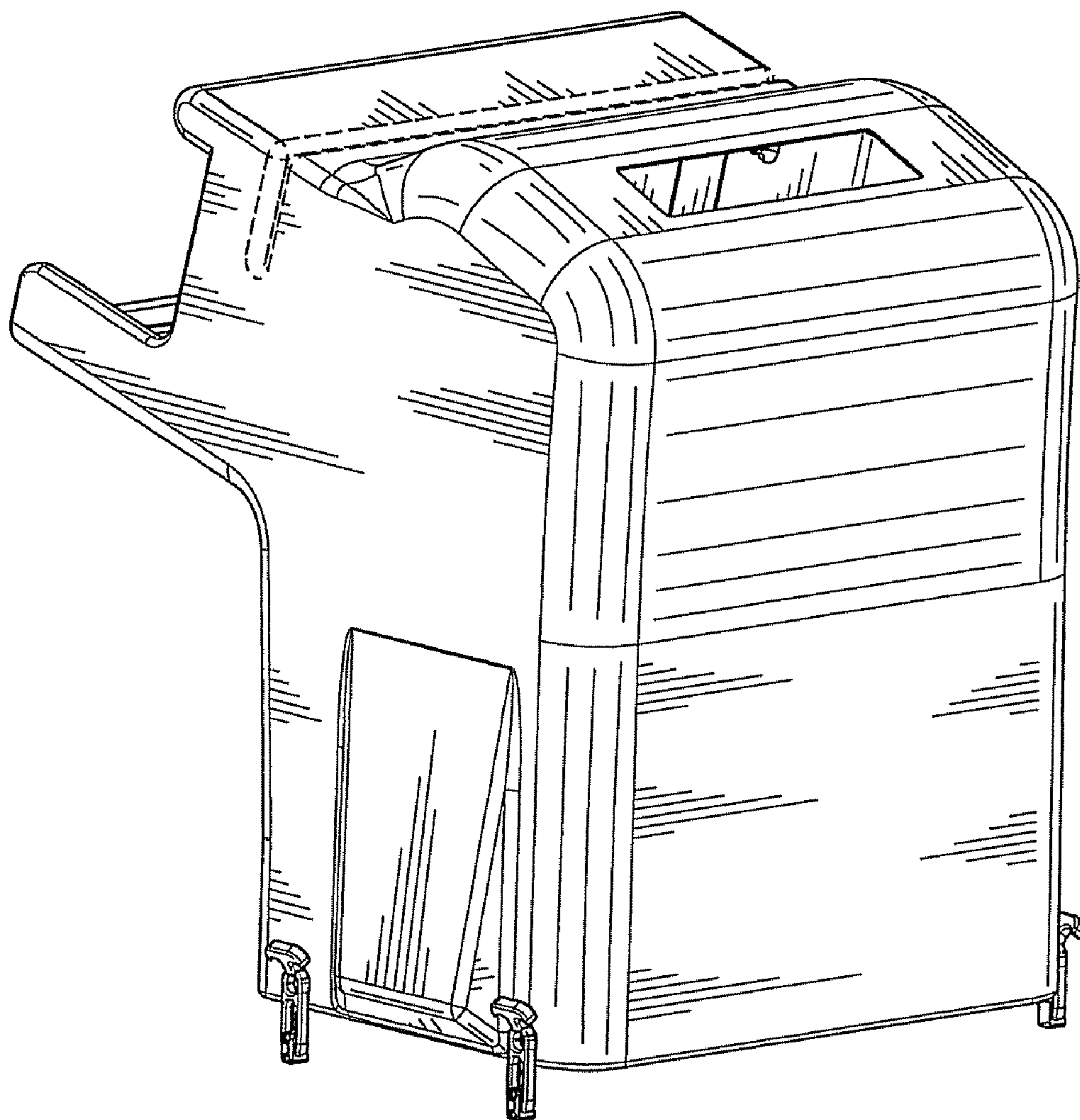


FIG. 2



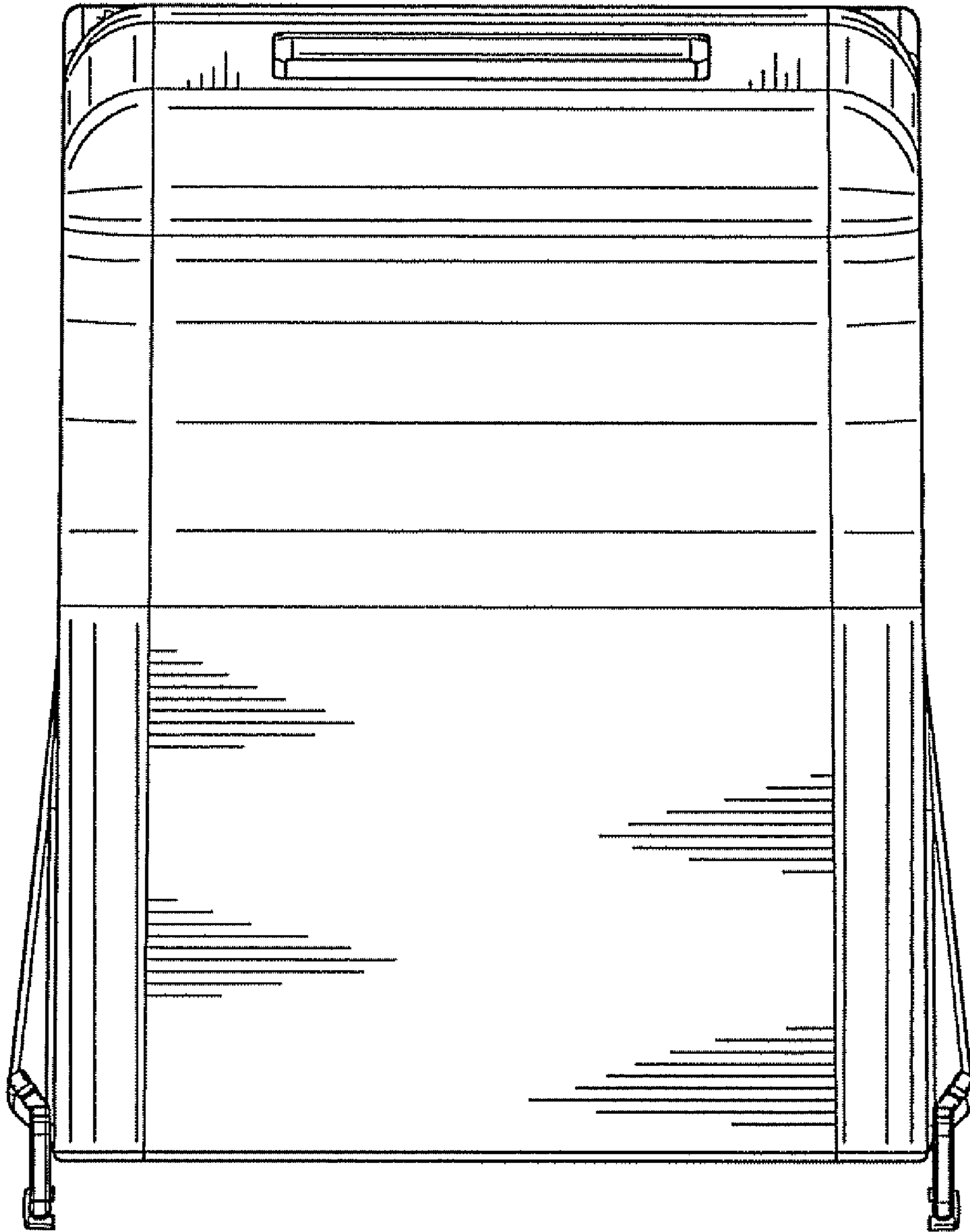


FIG. 3

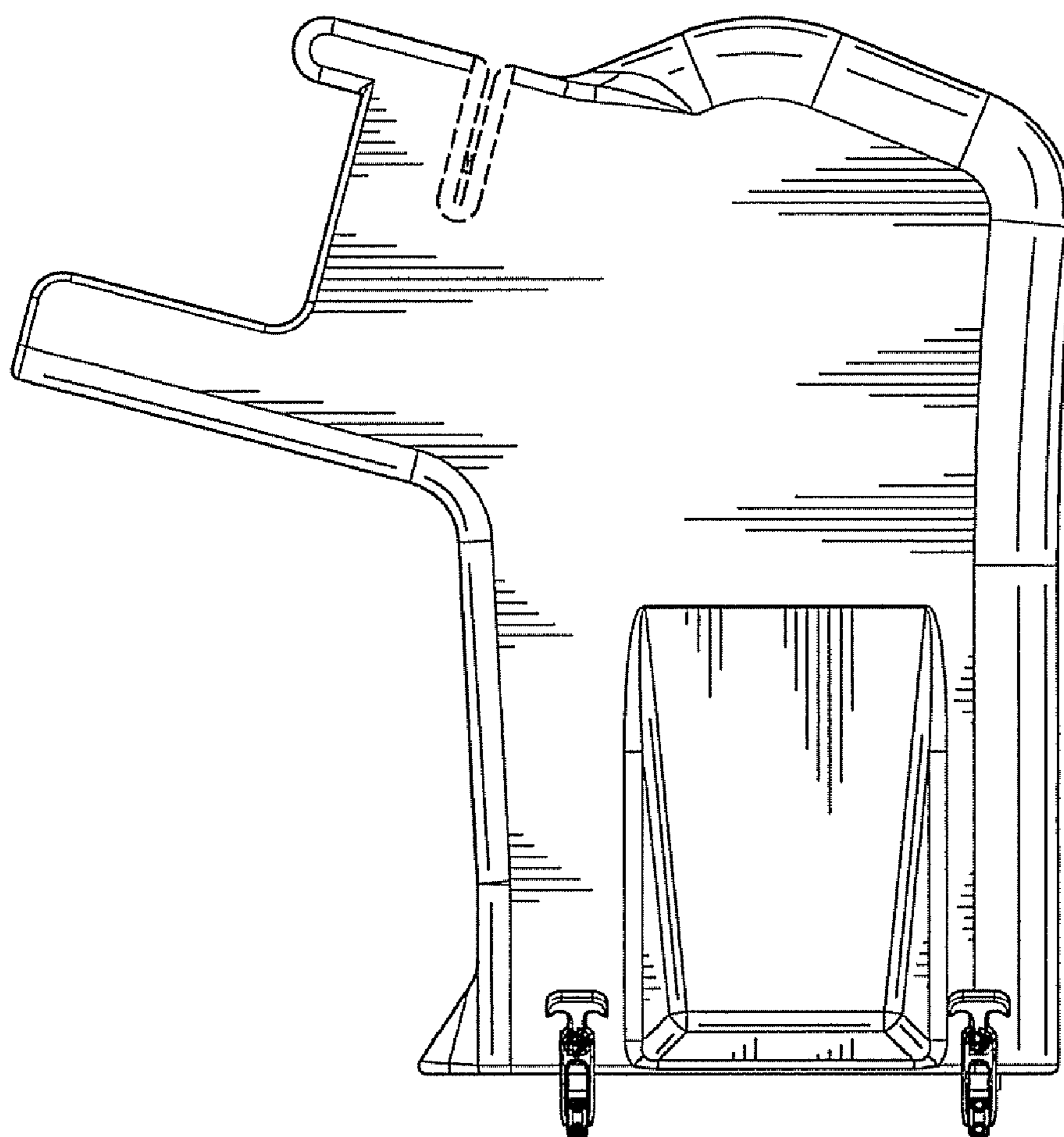


FIG. 4

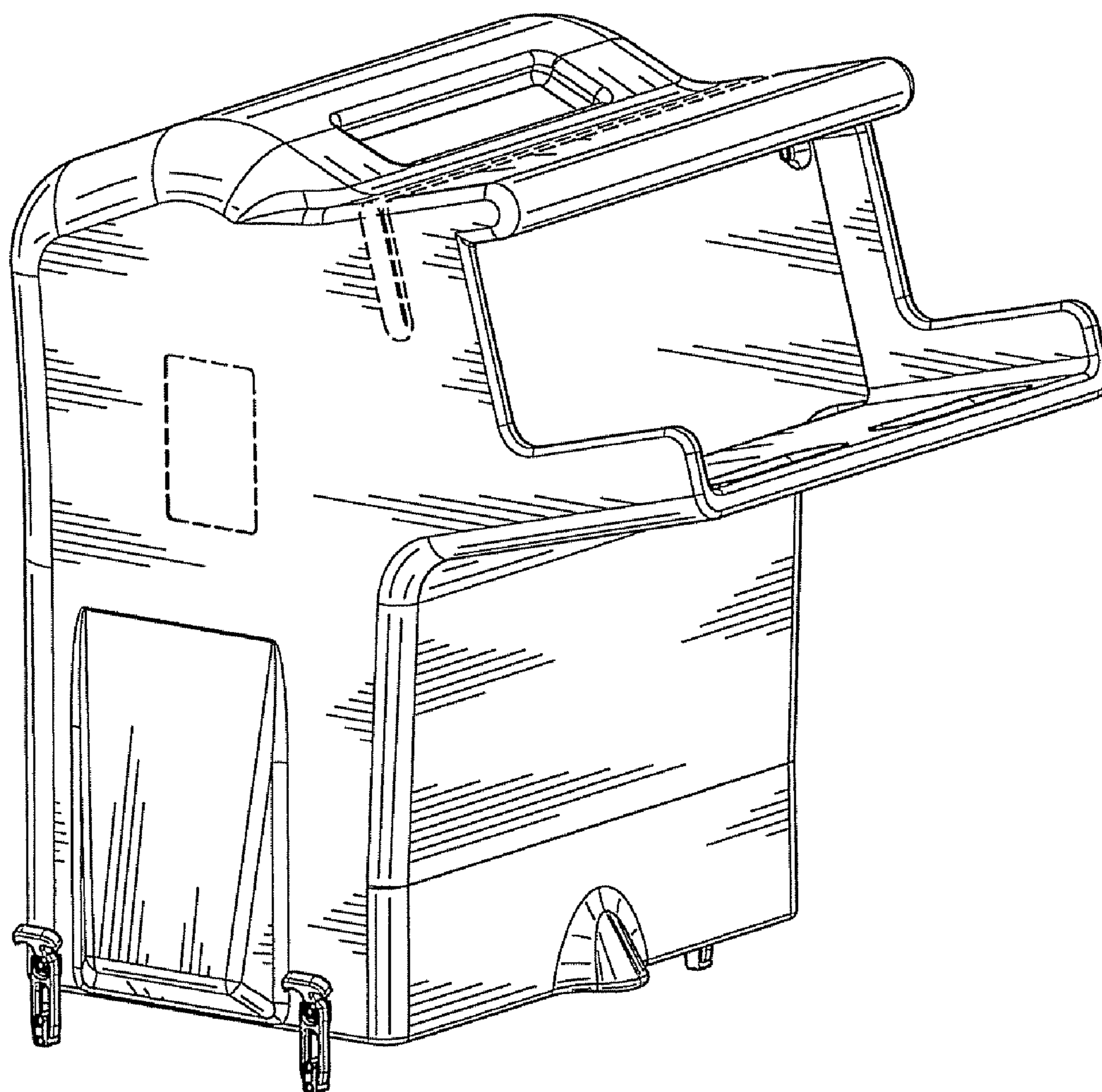


FIG. 5

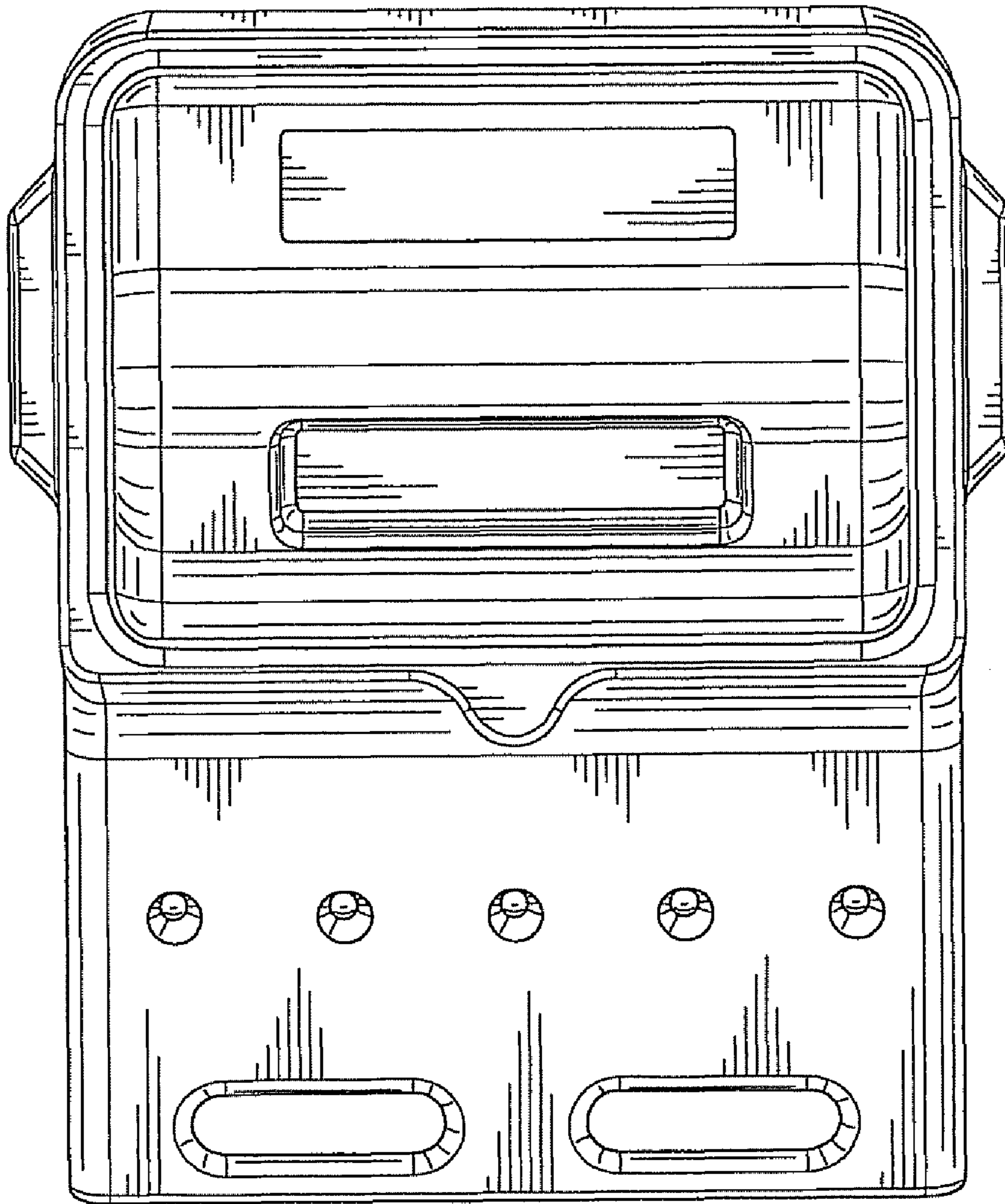


FIG. 6



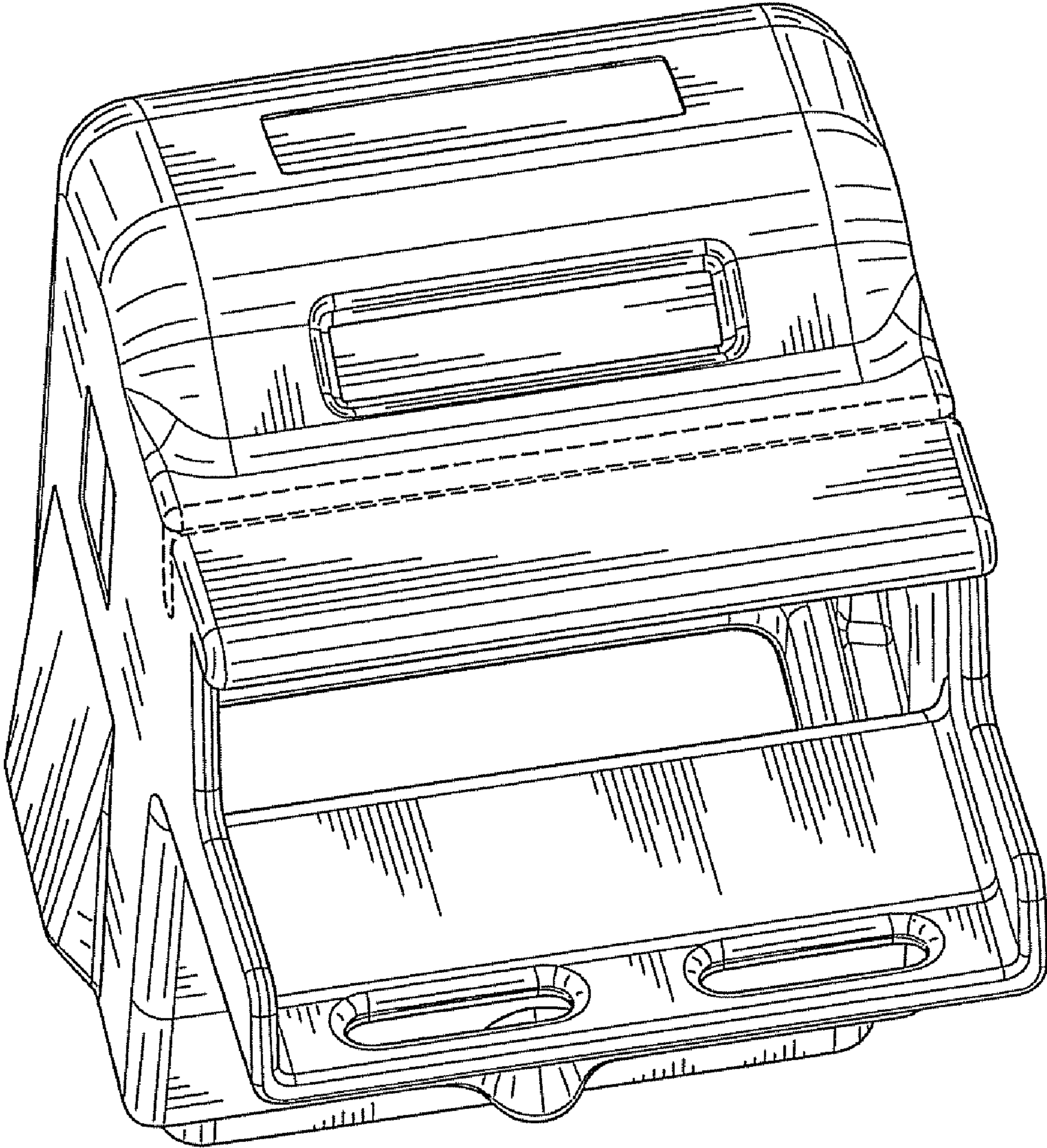


FIG. 7