



US00D633611S

(12) **United States Design Patent**  
**Pan**

(10) **Patent No.:** **US D633,611 S**  
(45) **Date of Patent:** **\*\* Mar. 1, 2011**

(54) **COMBINED CEILING FAN AND LIGHT KIT**

D627,052 S \* 11/2010 Pan ..... D23/411

(75) Inventor: **Peter Pan**, Shetzu (TW)

\* cited by examiner

(73) Assignee: **Air Cool Industrial Co., Ltd.**, Taichung County (TW)

*Primary Examiner*—Lisa P Lichtenstein

(74) *Attorney, Agent, or Firm*—Ming Chow; Sinorica, LLC

(\*\*) Term: **14 Years**

(57) **CLAIM**

(21) Appl. No.: **29/365,101**

I claim the ornamental design for a combined ceiling fan and light kit, as shown and described.

(22) Filed: **Jul. 2, 2010**

**DESCRIPTION**

(51) **LOC (9) Cl.** ..... **23-04**

FIG. 1 is a front perspective view of a combined ceiling fan and light kit showing my new design;

(52) **U.S. Cl.** ..... **D23/377**

FIG. 2 is a reduced front elevational view thereof;

(58) **Field of Classification Search** ..... D23/377,

FIG. 3 is a reduced rear elevational view thereof.

D23/379, 385, 411, 413; 416/5; D26/59,

FIG. 4 is a reduced left side elevational view thereof;

D26/51, 72, 81–86, 88

FIG. 5 is a reduced right side elevational view thereof;

See application file for complete search history.

FIG. 6 is a reduced top plan view thereof; and,

(56) **References Cited**

FIG. 7 is a reduced bottom plan view thereof.

**U.S. PATENT DOCUMENTS**

The broken line showing of portions of the combined ceiling fan and light kit is included for the purpose of illustrating environmental structure and forms no part of the claimed design.

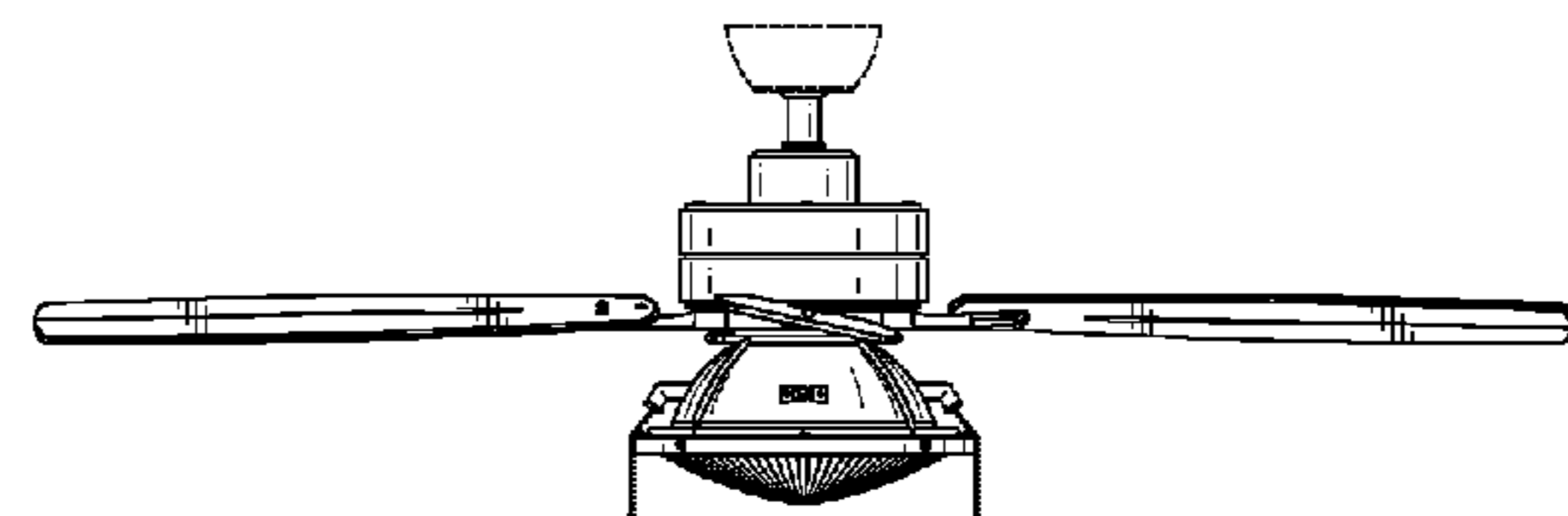
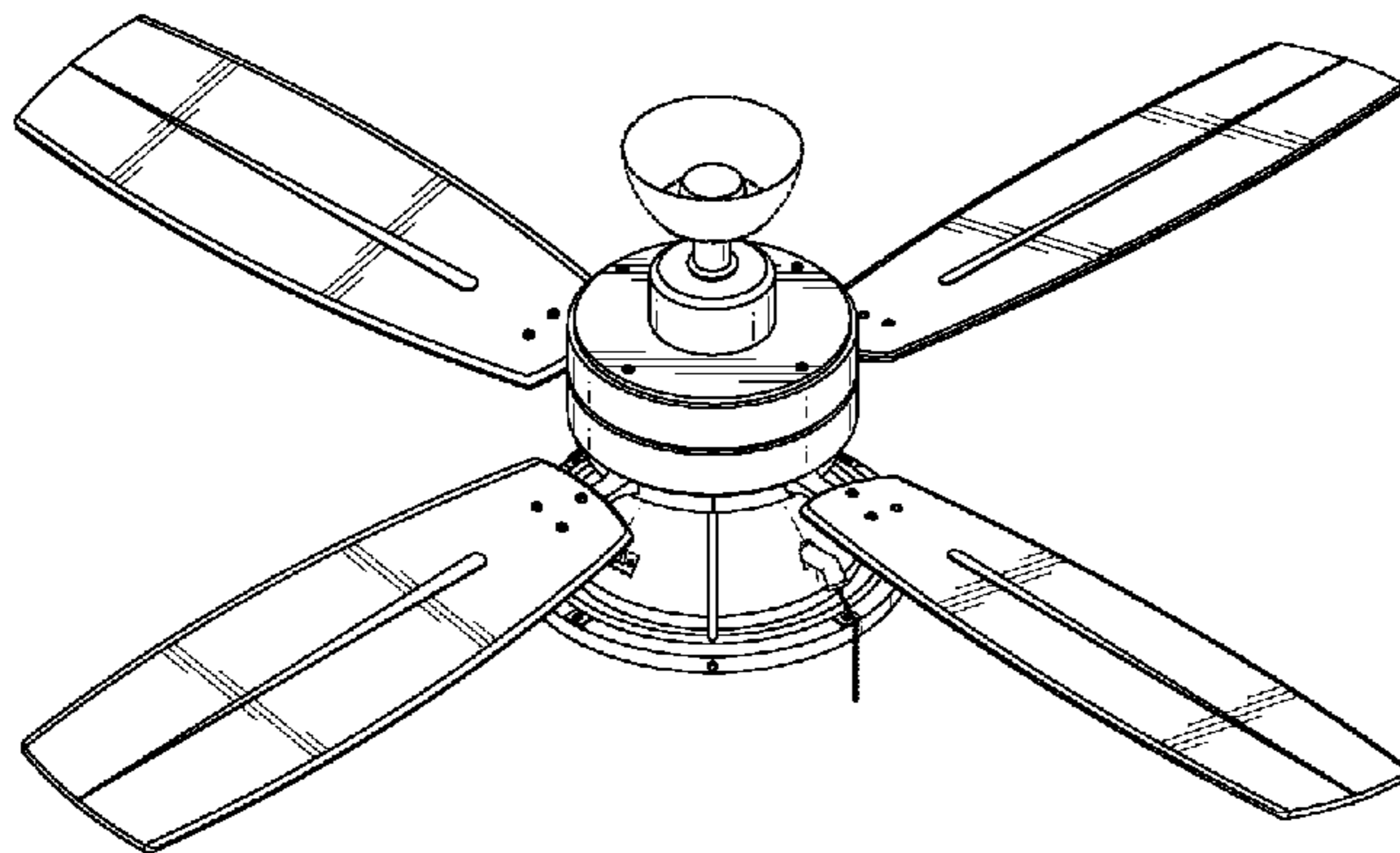
D532,902 S \* 11/2006 Pan ..... D23/411

D533,937 S \* 12/2006 Pan ..... D23/411

D562,967 S \* 2/2008 Pickett ..... D23/411

D627,046 S \* 11/2010 Wang ..... D23/377

**1 Claim, 5 Drawing Sheets**



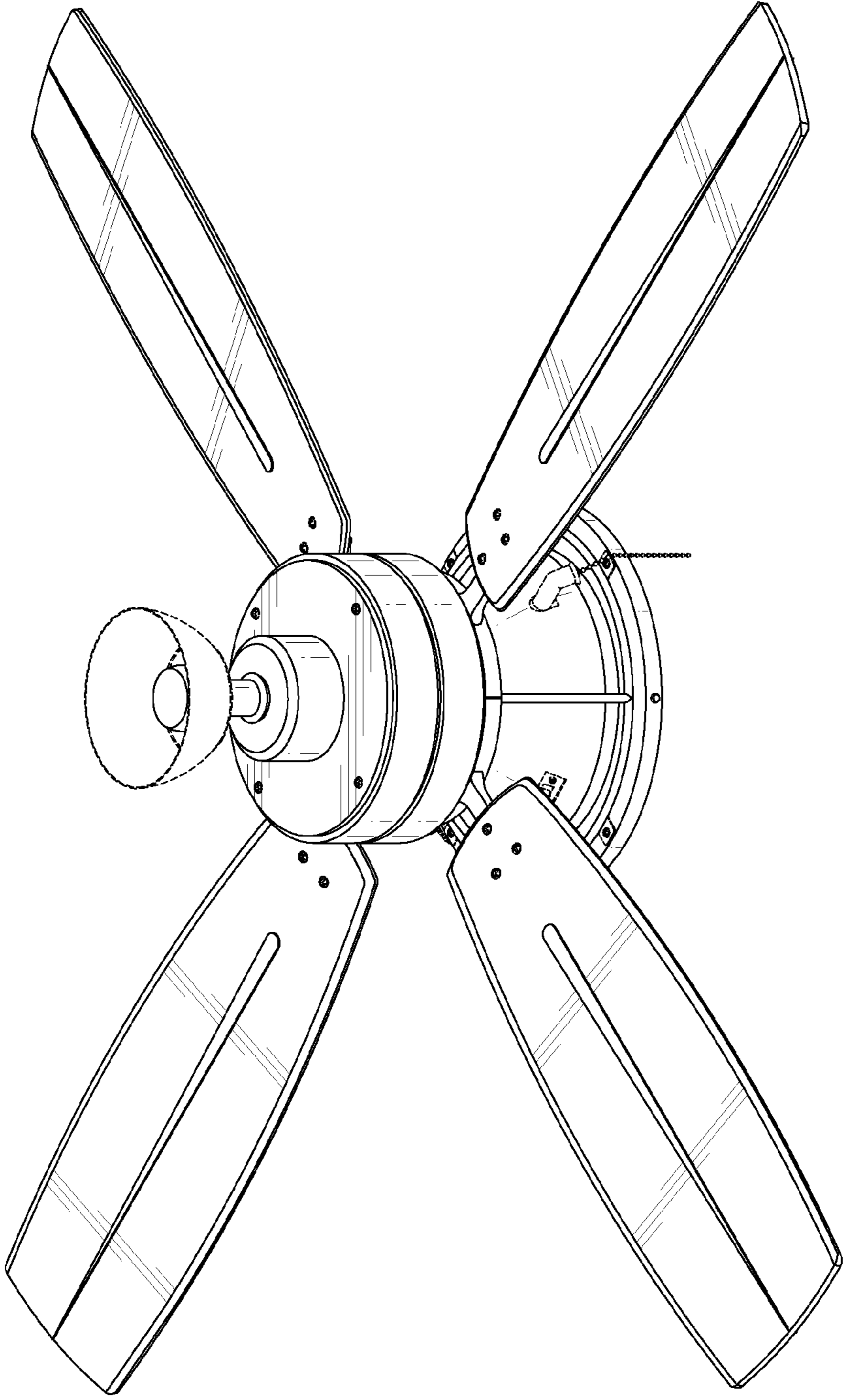


FIG. 1

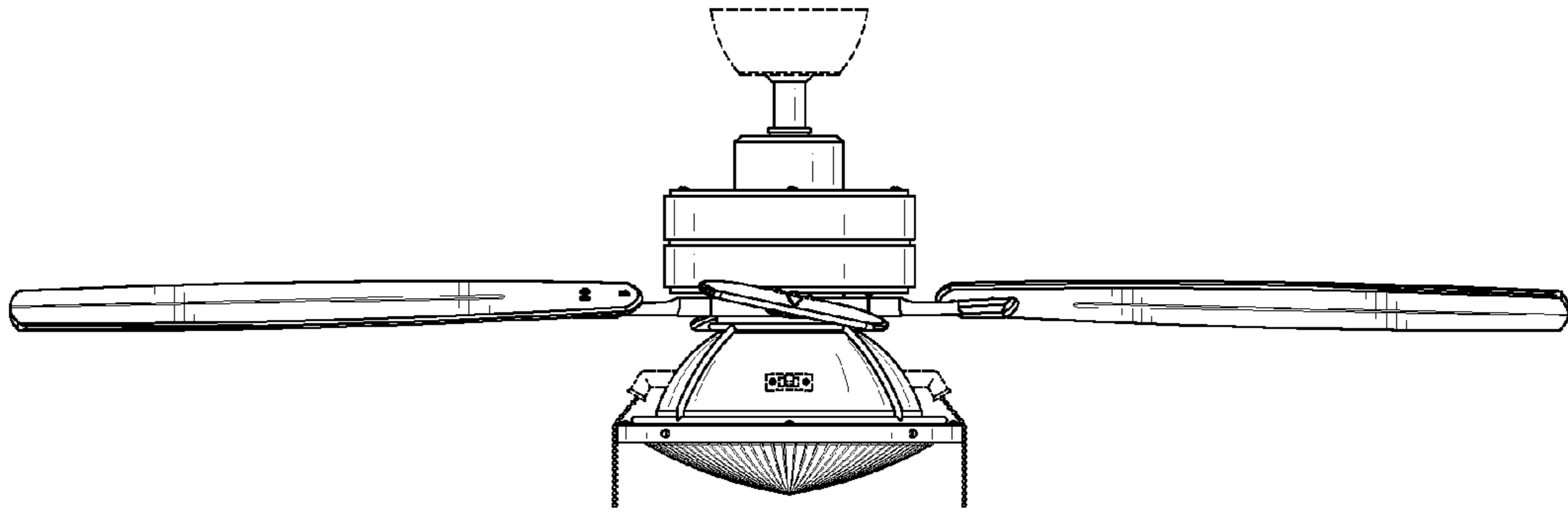


FIG. 2

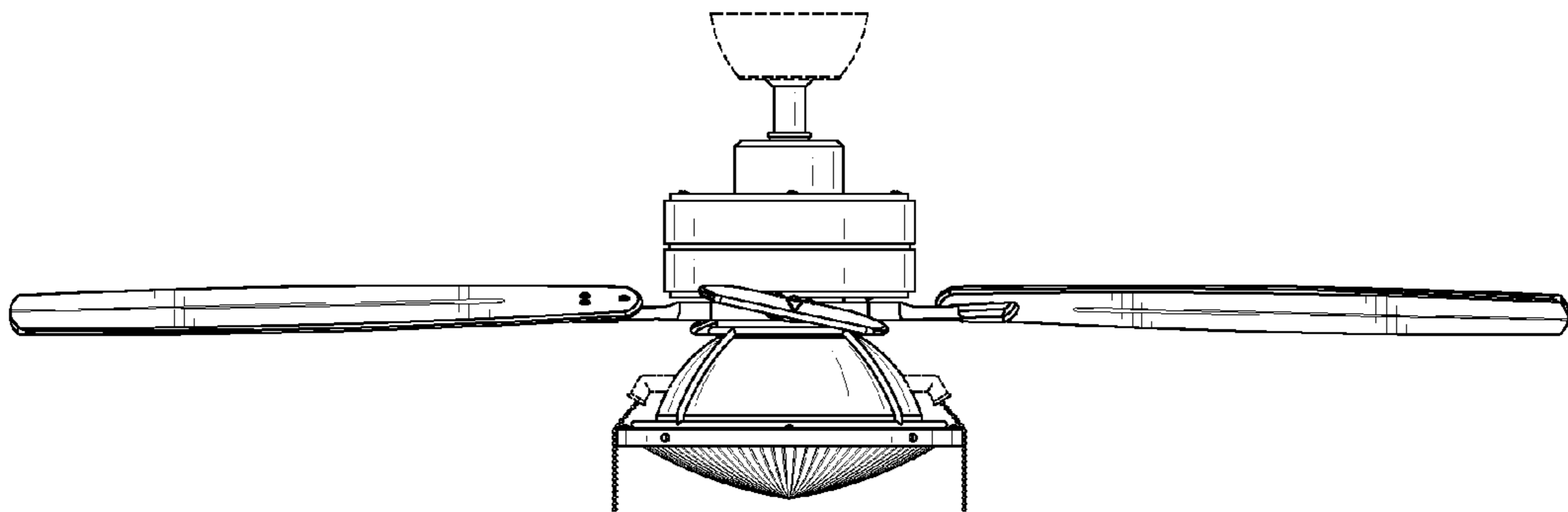


FIG. 3

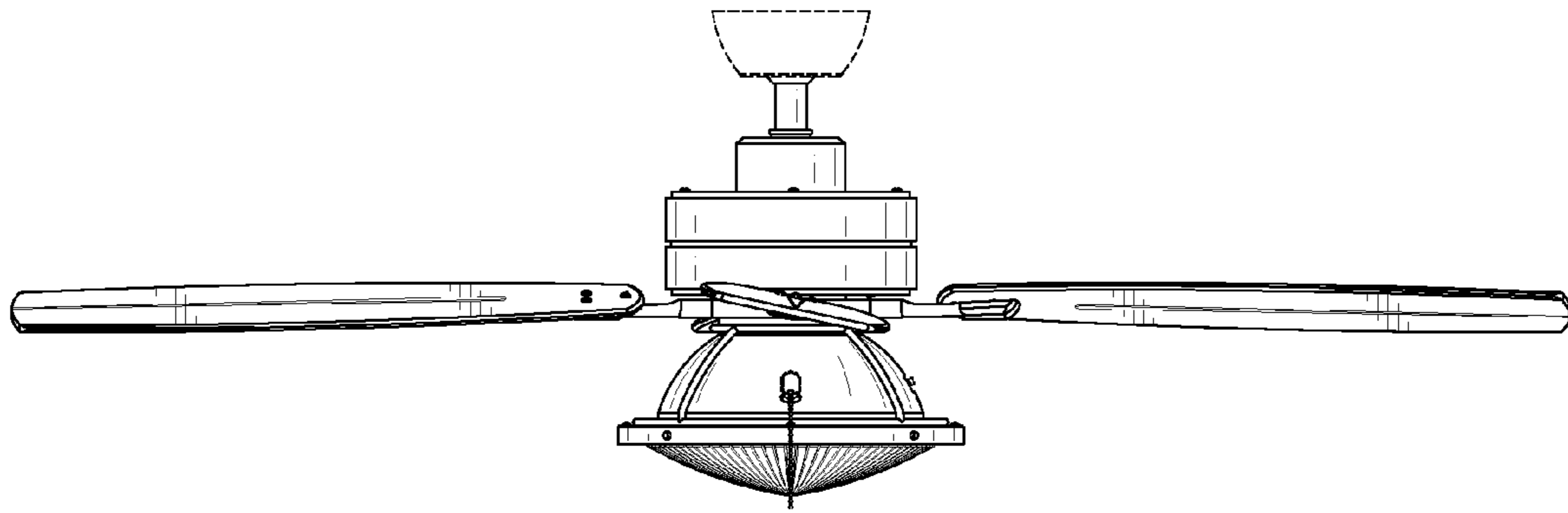


FIG. 4

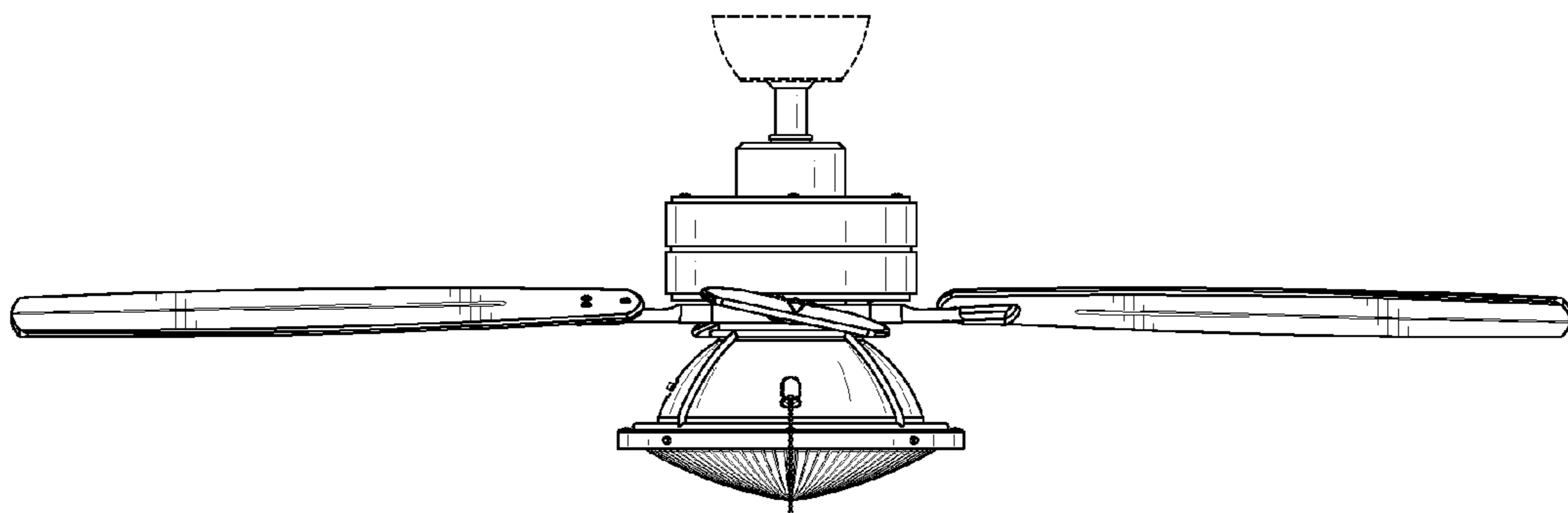


FIG. 5

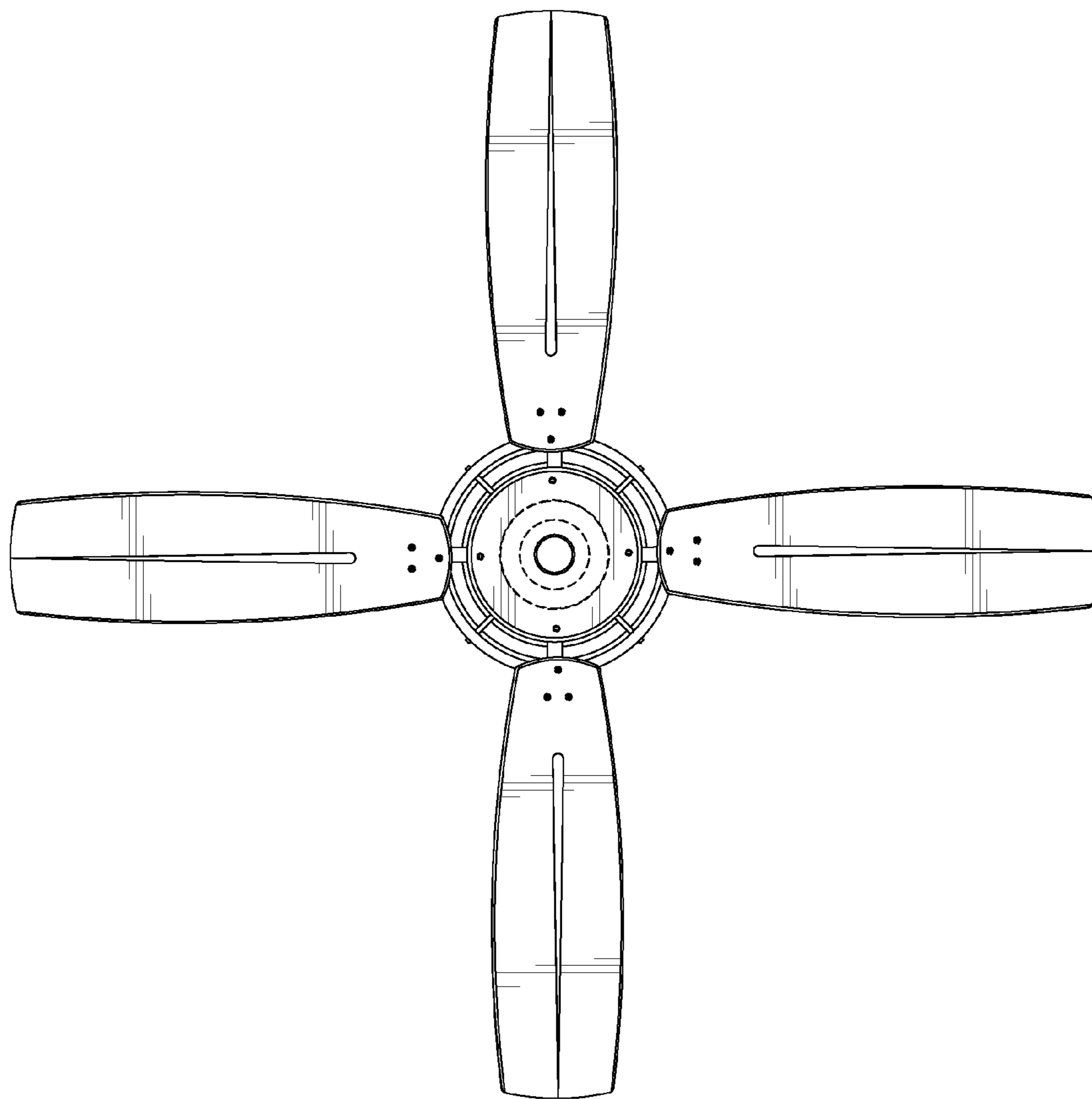


FIG. 6

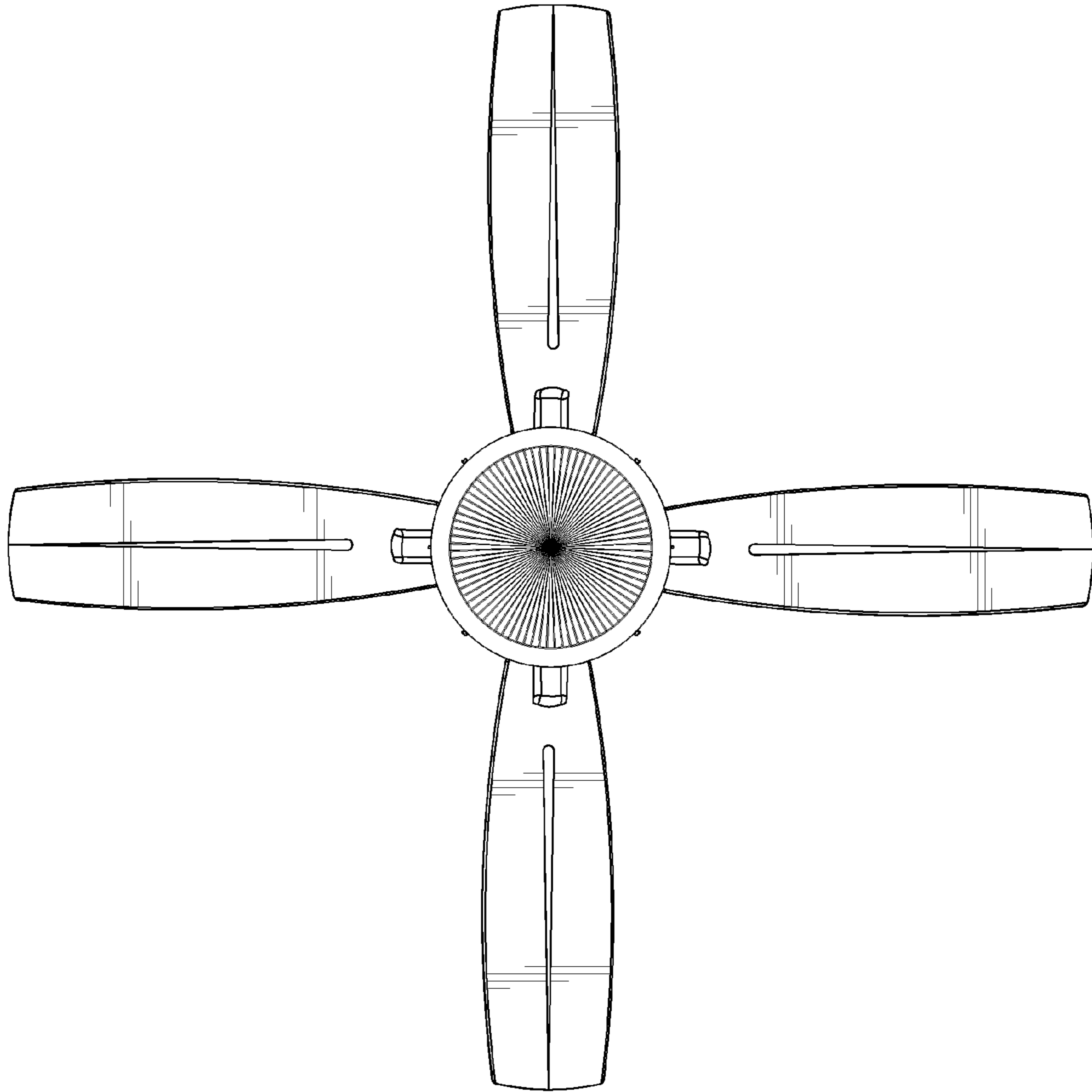


FIG. 7