



US00D633606S

(12) **United States Design Patent**
Pereira Del Arroyo

(10) **Patent No.:** **US D633,606 S**
(45) **Date of Patent:** **** Mar. 1, 2011**

(54) **SUPPORT ACCESSORY FOR TOILETS**

(76) Inventor: **Antonio Flavio Pereira Del Arroyo,**
Barrio Independencia (BR)

(**) Term: **14 Years**

(21) Appl. No.: **29/375,286**

(22) Filed: **Sep. 20, 2010**

Related U.S. Application Data

(62) Division of application No. 29/327,082, filed on Oct. 30, 2008, now Pat. No. Des. 625,793.

(30) **Foreign Application Priority Data**

Jun. 17, 2008 (EM) 000953534-0001
Jun. 17, 2008 (EM) 000953534-0002
Jun. 17, 2008 (EM) 000953534-0003

(51) **LOC (9) Cl.** **23-02**

(52) **U.S. Cl.** **D23/309; D6/379**

(58) **Field of Classification Search** D23/299,
D23/303-304, 309; D6/379-380; 297/445.1,
297/446.1; 4/312, 465

See application file for complete search history.

(56) **References Cited**

U.S. PATENT DOCUMENTS

D149,957 S 6/1948 Leslie et al.
3,047,884 A 8/1962 Grondona
D257,879 S 1/1981 Hicks
D295,240 S 4/1988 Stubblefield
D317,381 S 6/1991 Fulcheri
D333,576 S 3/1993 Burdick et al.

D333,739 S 3/1993 Yeh
D333,750 S 3/1993 Hess
D338,348 S 8/1993 Zacky
D395,764 S 7/1998 Oozsa-Farkas
D396,360 S 7/1998 Zimmermann
D396,966 S 8/1998 Good
D409,409 S 5/1999 Muller
D423,807 S 5/2000 Bartlmae
D498,602 S 11/2004 Goodman
D581,180 S 11/2008 Chi

Primary Examiner—Robert A Delehanty

(74) *Attorney, Agent, or Firm*—Leason Ellis LLP

(57) **CLAIM**

The ornamental design for a support accessory for toilets, as shown and described.

DESCRIPTION

FIG. 1 is a perspective view including front, top and right sides showing my new design for a support accessory for toilets;

FIG. 2 is another perspective view including front, top and right sides thereof with a lid of the toilet in an up position;

FIG. 3 is a left side view thereof of which the right side is a mirror image;

FIG. 4 is a front view thereof;

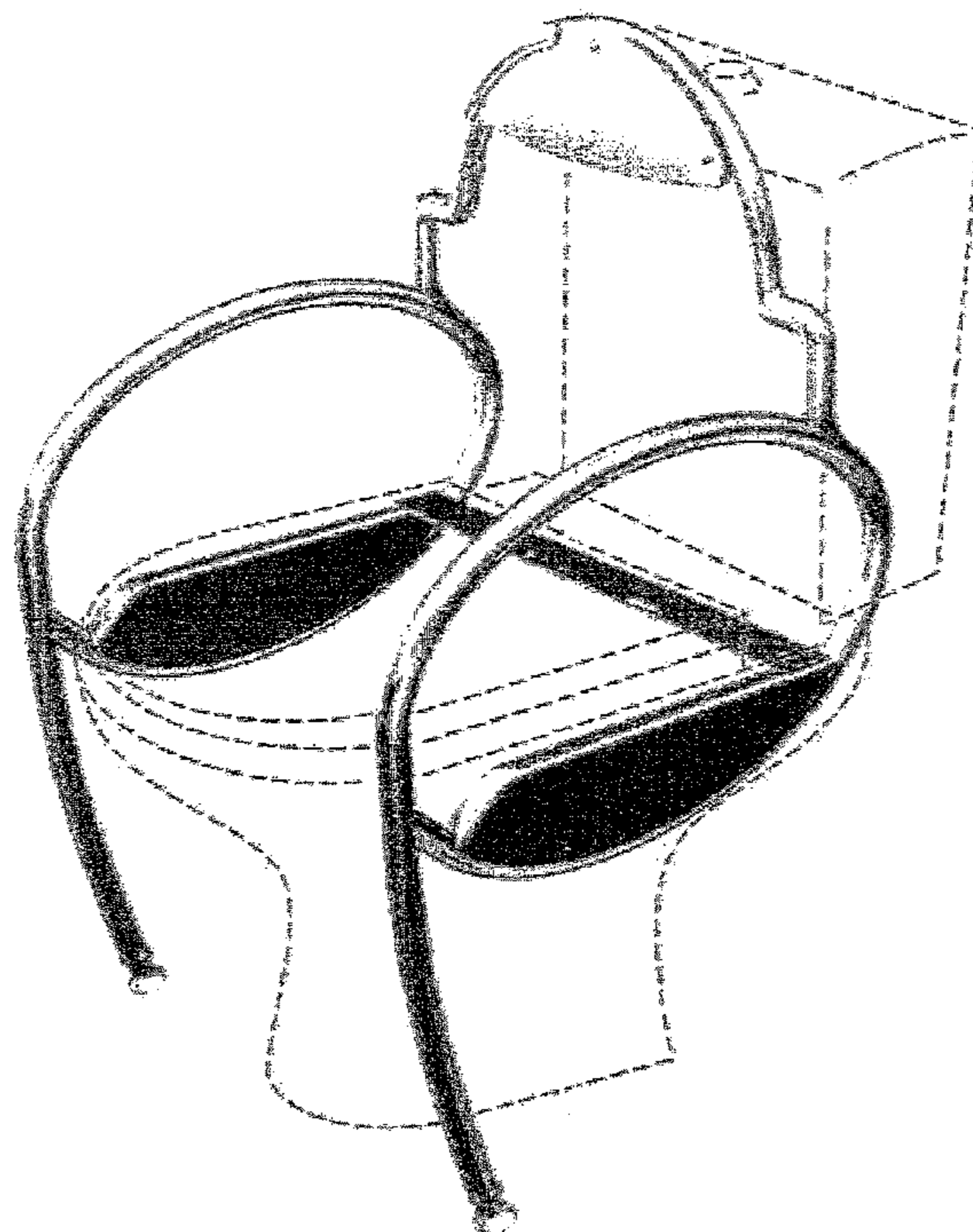
FIG. 5 is a rear view thereof;

FIG. 6 is a top view thereof; and,

FIG. 7 is a bottom view thereof.

The broken line showing of a toilet is included for illustration and forms no part of the claimed design.

1 Claim, 7 Drawing Sheets



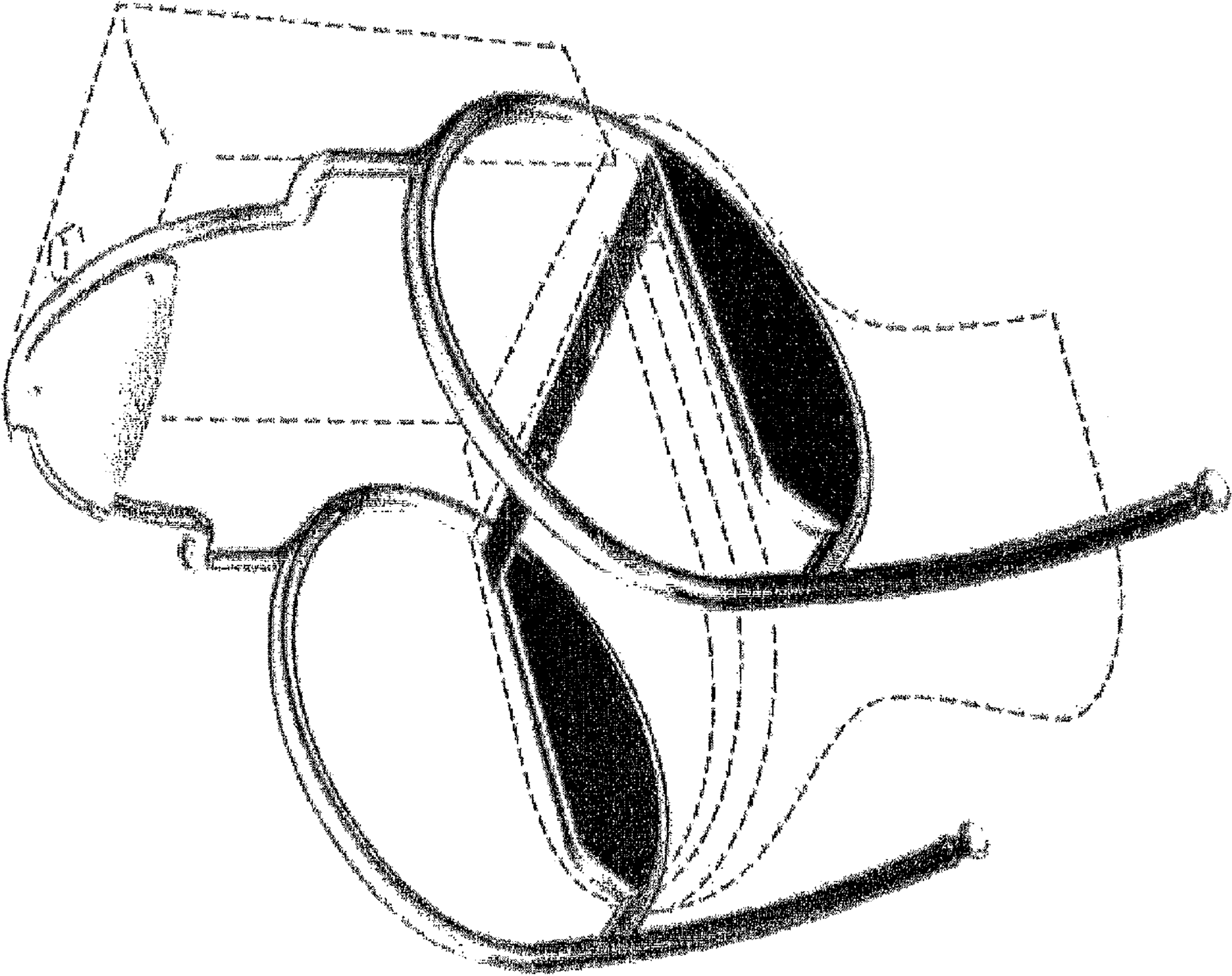


Figure 1

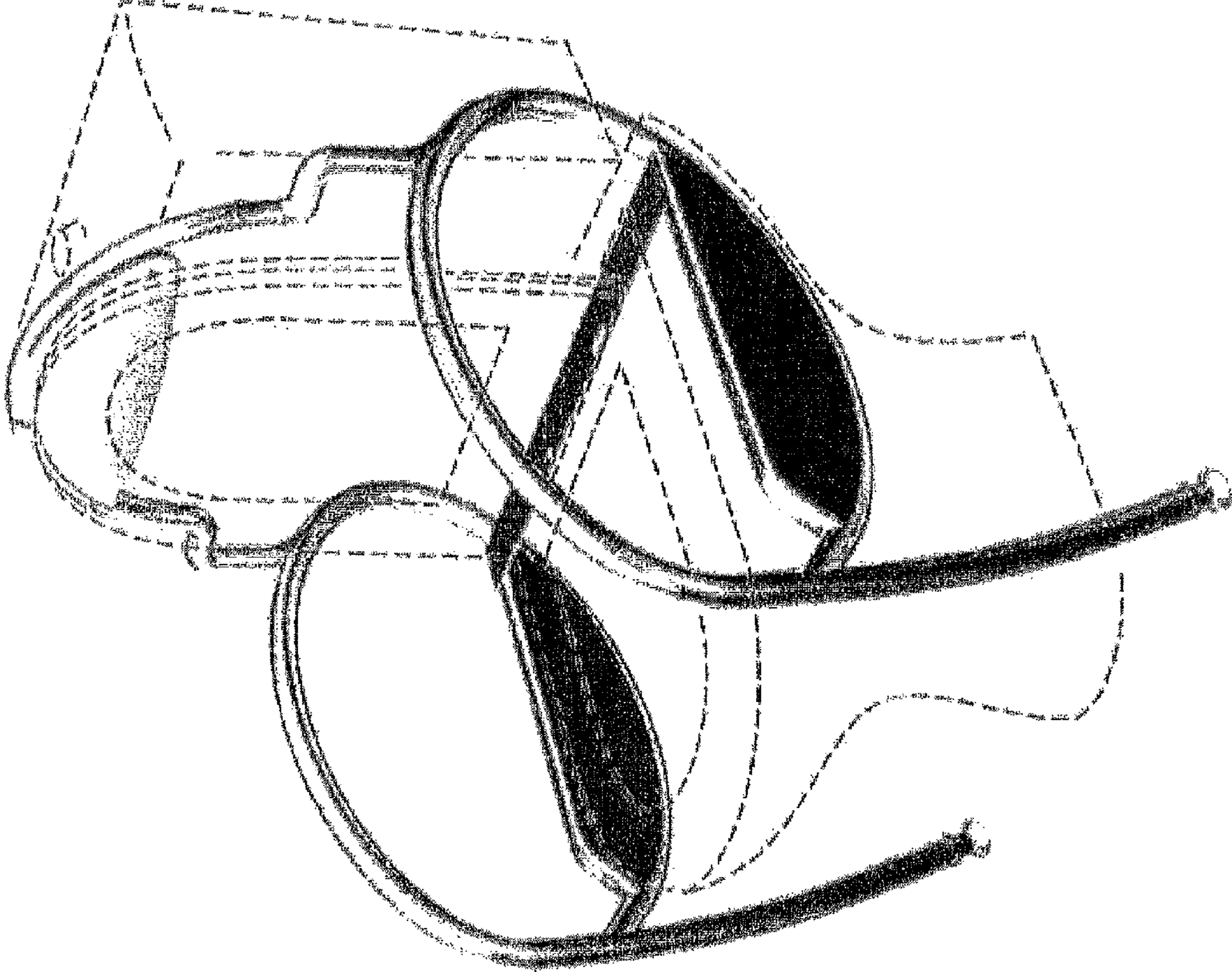


Figure 2

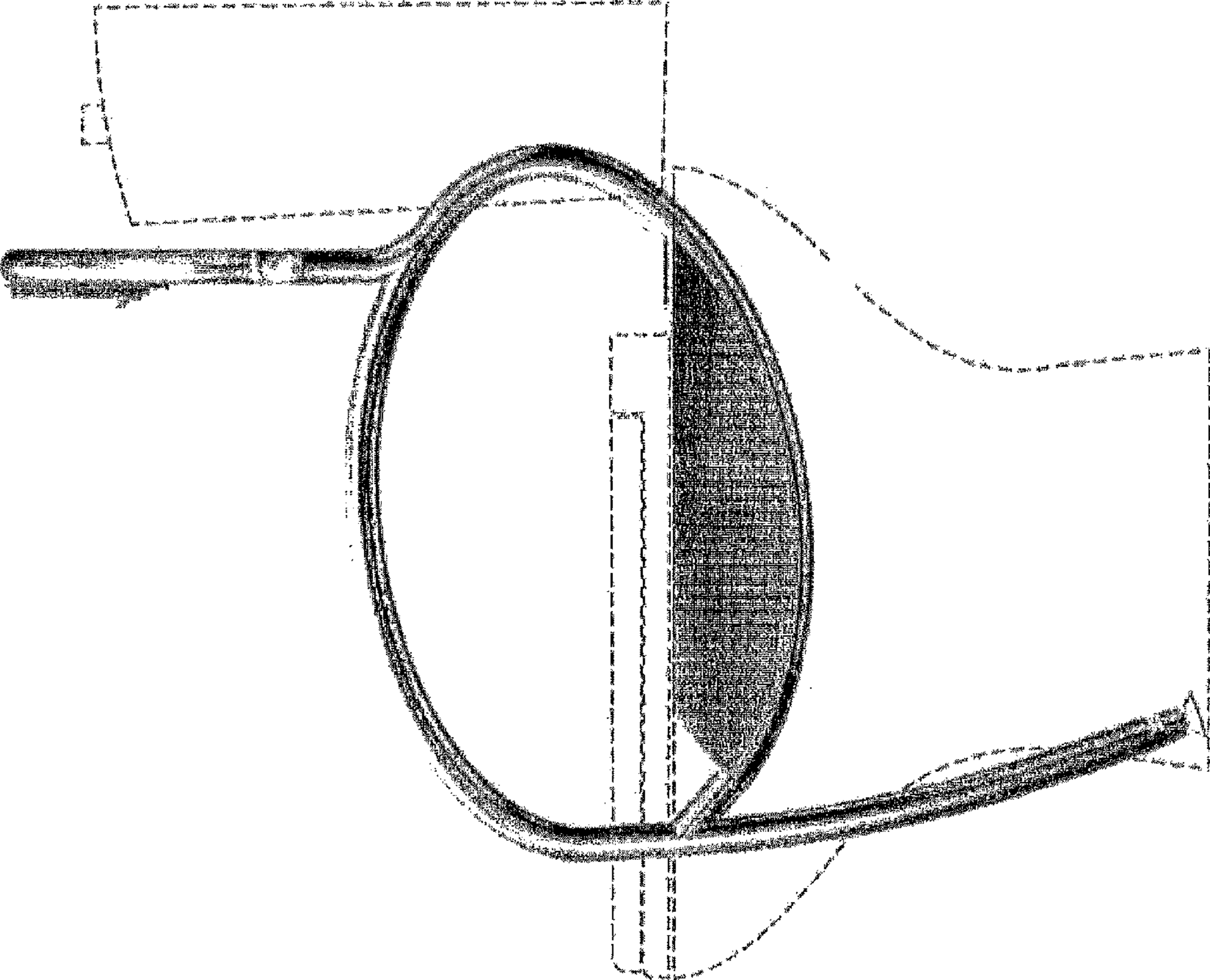


Figure 3

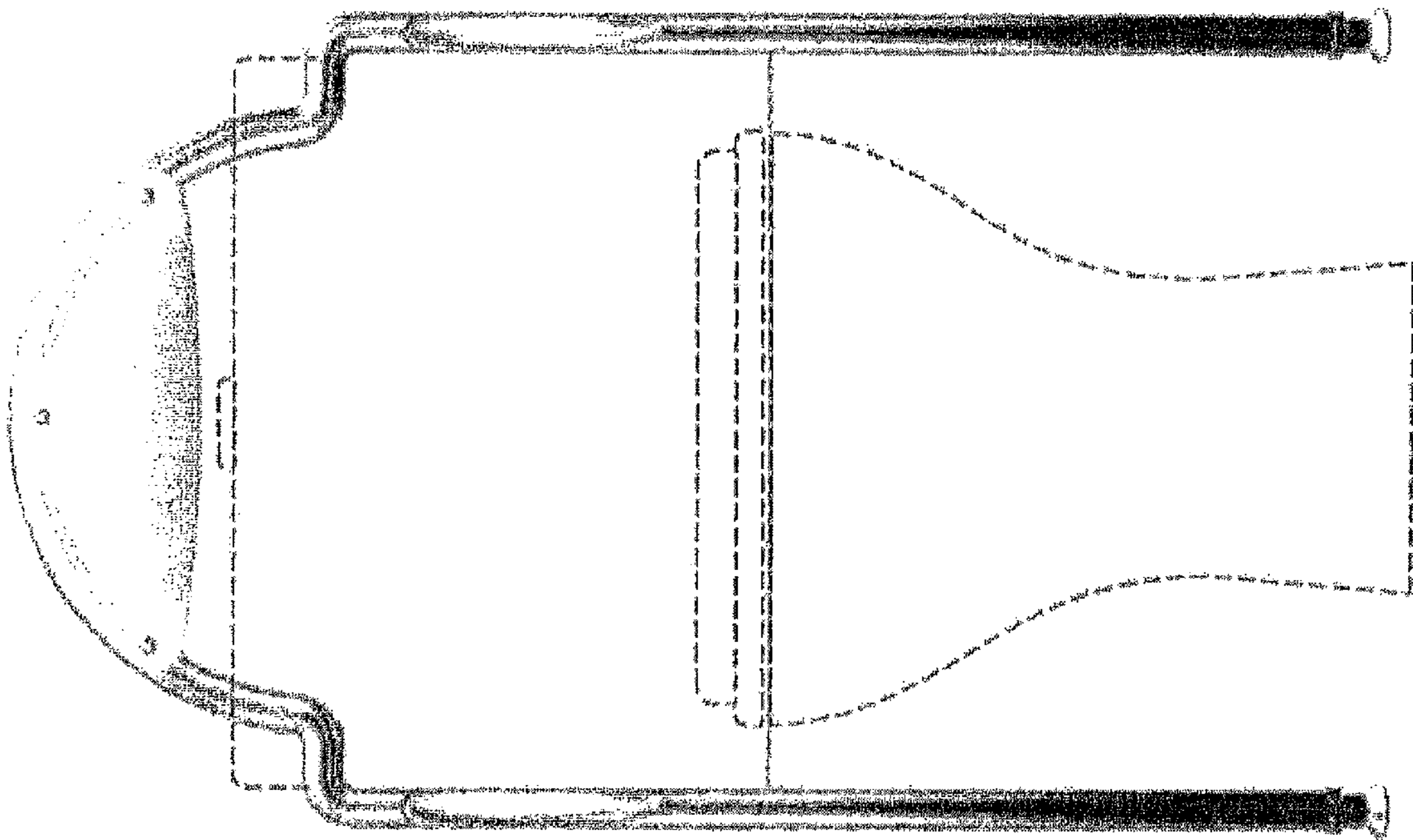


Figure 4

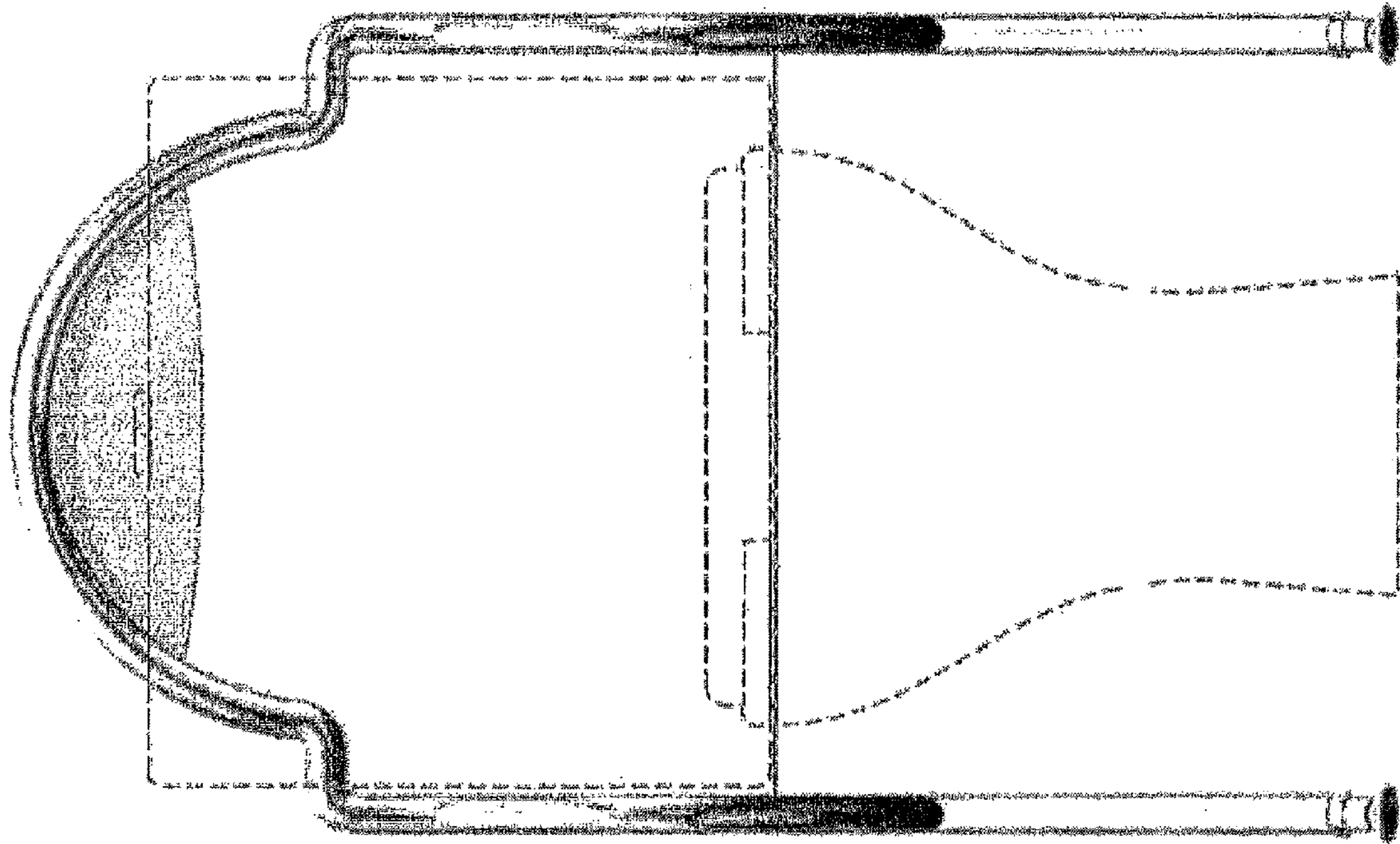


Figure 5

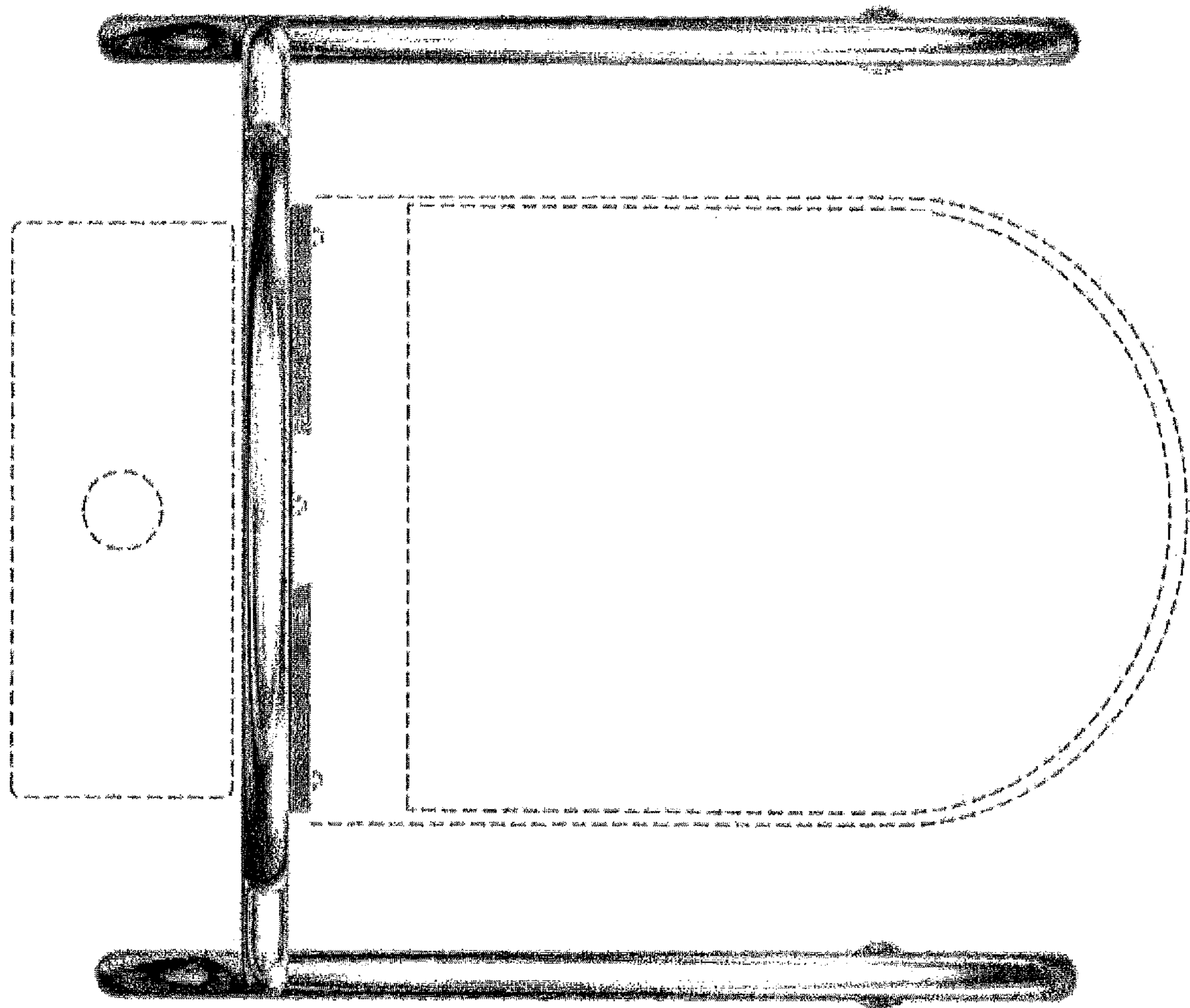


Figure 6

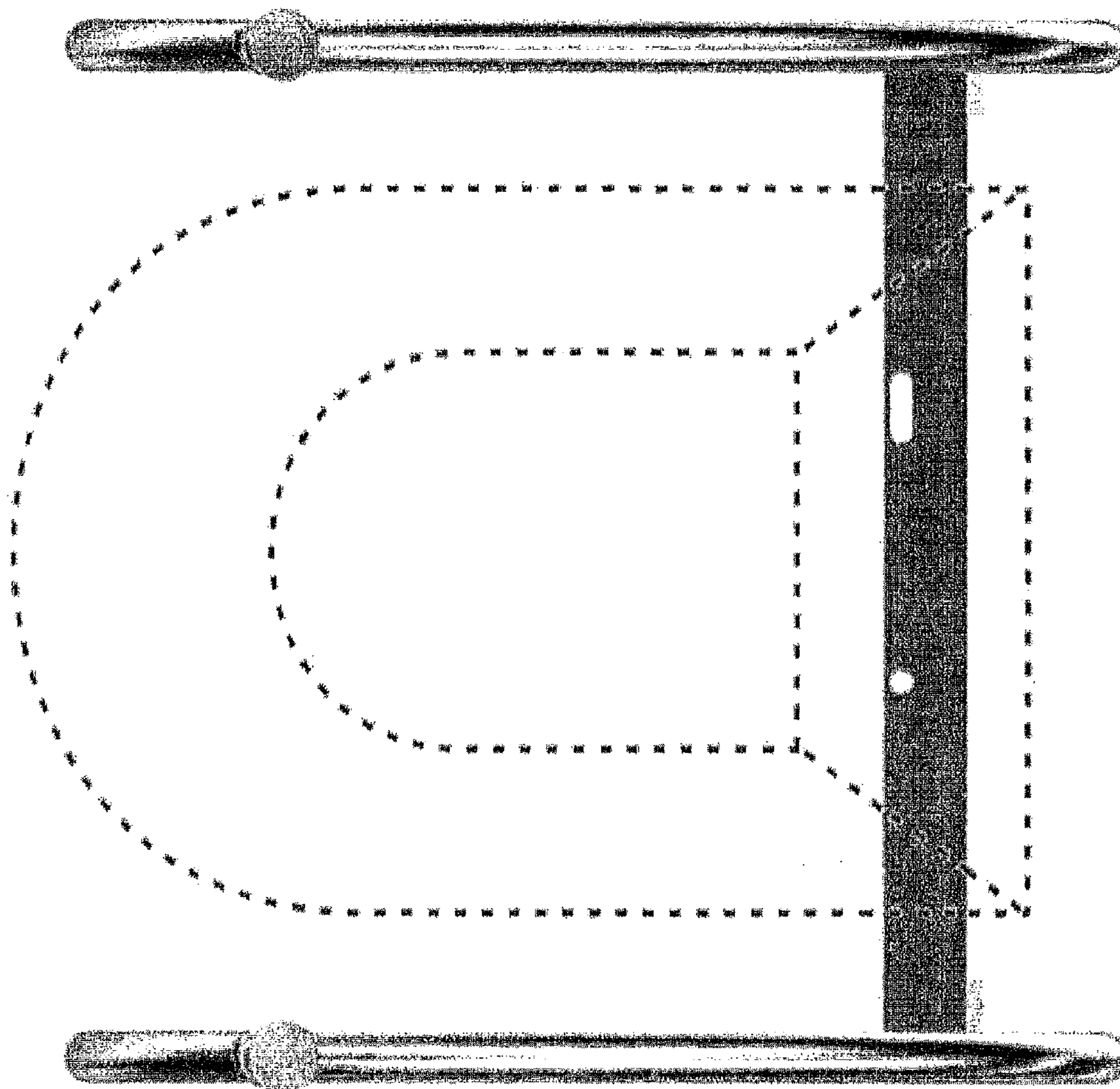


Figure 7