

US00D633605S

(12) **United States Design Patent**  
**Tanus**

(10) **Patent No.:** **US D633,605 S**

(45) **Date of Patent:** **\*\* Mar. 1, 2011**

(54) **VANITY TOP**

D539,878 S \* 4/2007 Hou ..... D23/293.1  
D598,080 S \* 8/2009 Kergoet ..... D23/284

(75) Inventor: **Abraham Tanus**, Weslaco, TX (US)

(73) Assignee: **WoodCrafters Home Products, LLC**,  
Weslaco, TX (US)

\* cited by examiner

*Primary Examiner*—Robert A Delehanty

(74) *Attorney, Agent, or Firm*—McGuireWoods LLP

(\*\*) Term: **14 Years**

(21) Appl. No.: **29/357,706**

(57) **CLAIM**

(22) Filed: **Mar. 16, 2010**

We claim the ornamental design for a vanity top, as shown and described.

**Related U.S. Application Data**

(63) Continuation of application No. 29/337,930, filed on Jun. 2, 2009, now Pat. No. Des. 612,024.

**DESCRIPTION**

(51) **LOC (9) Cl.** ..... **23-02**

(52) **U.S. Cl.** ..... **D23/308**

(58) **Field of Classification Search** ..... D23/284–287,  
D23/290–293.1, 308; 4/619, 637, 639–640,  
4/642

FIG. 1 is a right front side perspective view of the vanity top;  
FIG. 2 is a top, top right front, front and side view of the design embodiment shown in FIG. 1;

FIG. 3 is a front view of the vanity top; and,

FIG. 4 is a side view of the vanity top.

See application file for complete search history.

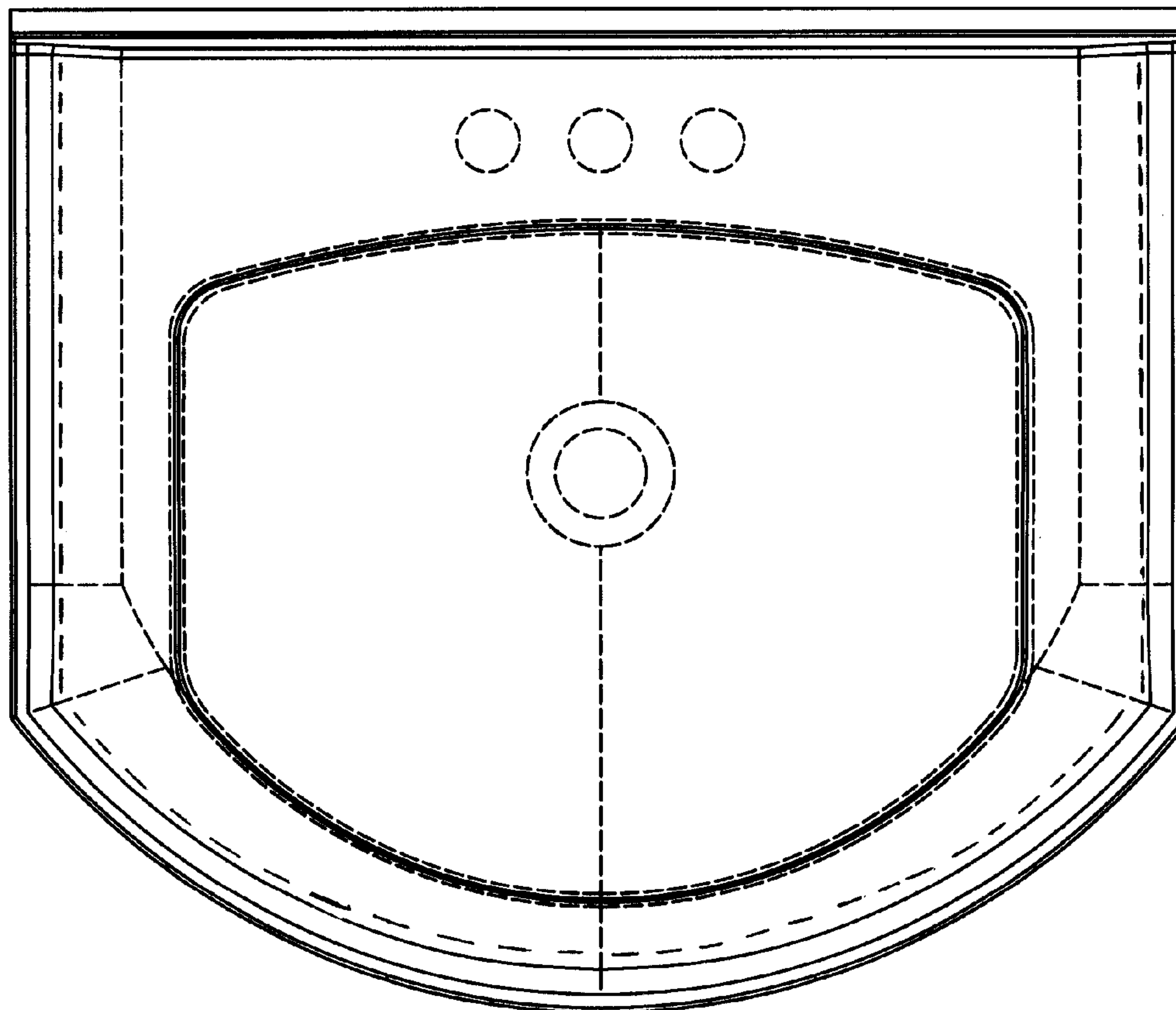
The subject matter shown in dashed lines, and any surfaces of the design not shown, including interior surfaces, form no part of the claimed invention.

(56) **References Cited**

**U.S. PATENT DOCUMENTS**

D509,887 S \* 9/2005 Sutopo ..... D23/293.1

**1 Claim, 4 Drawing Sheets**



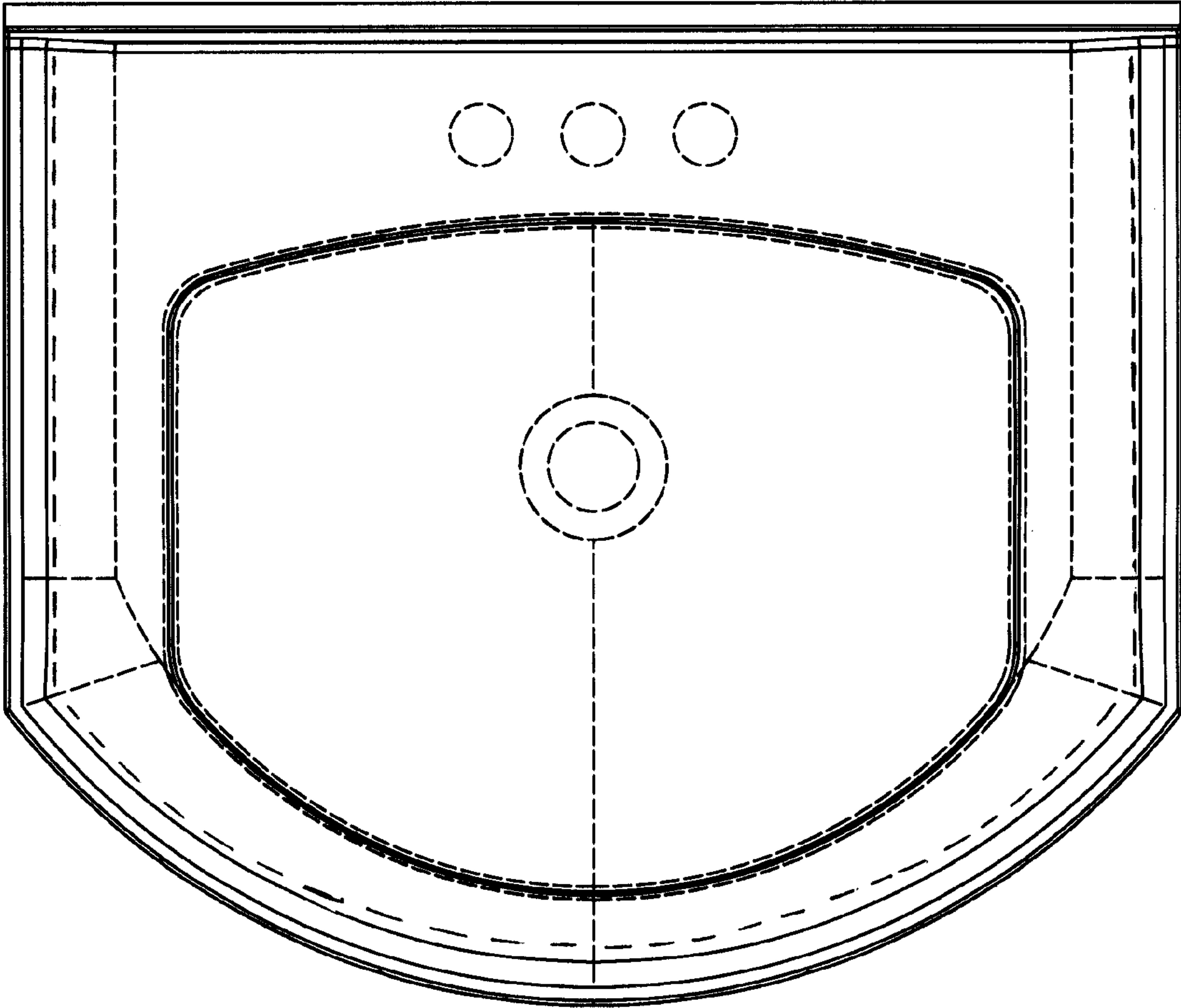


FIGURE 1

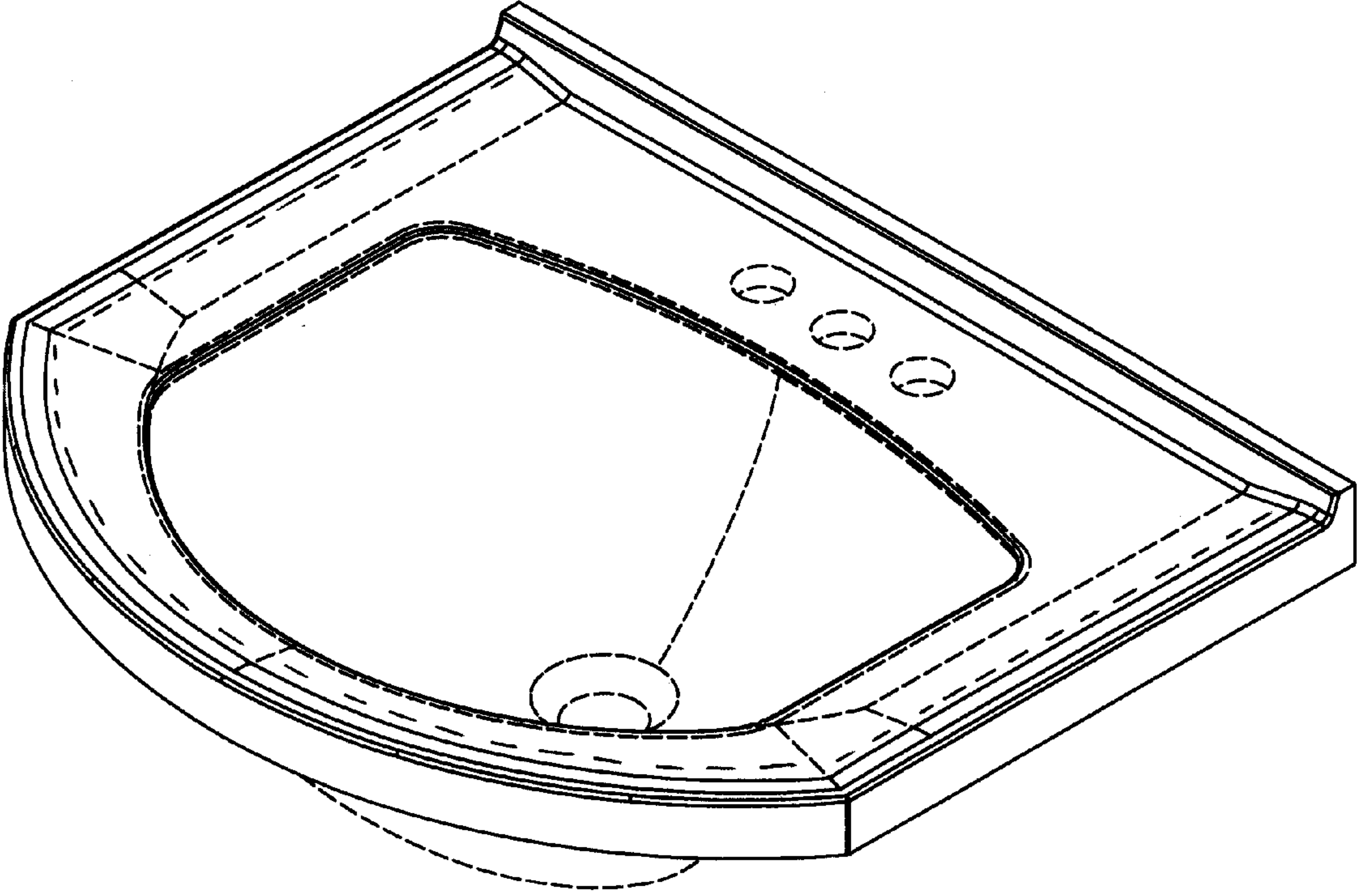


FIGURE 2

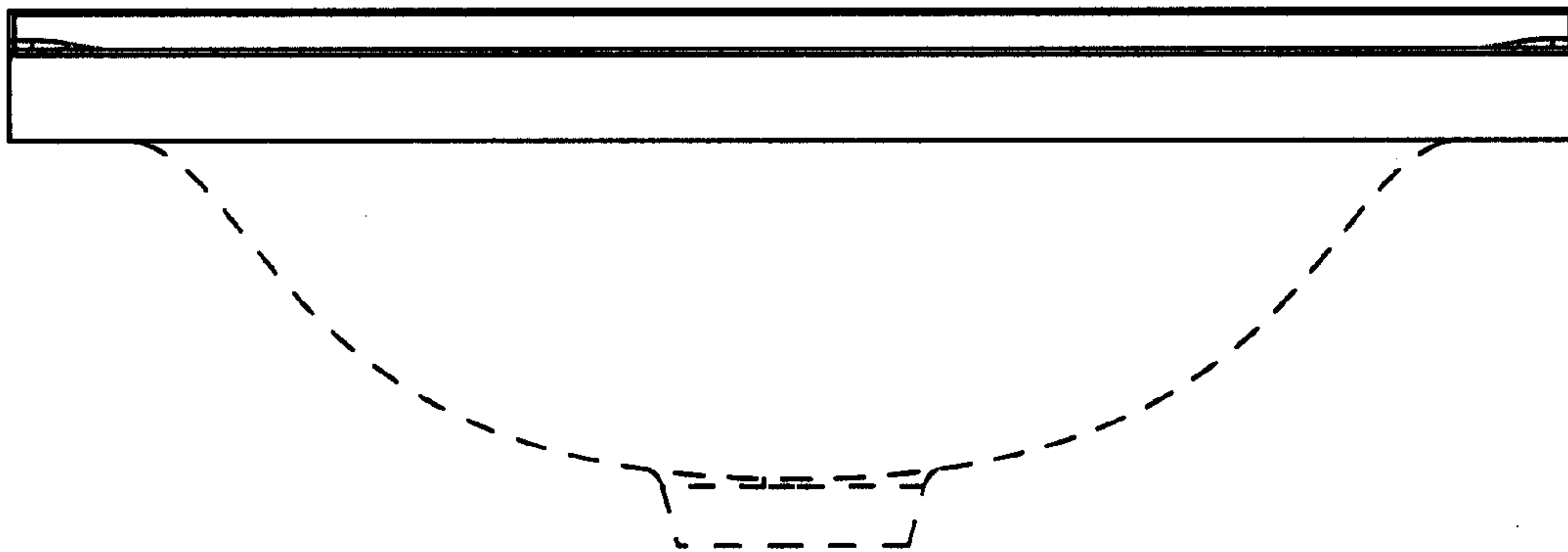


FIGURE 3

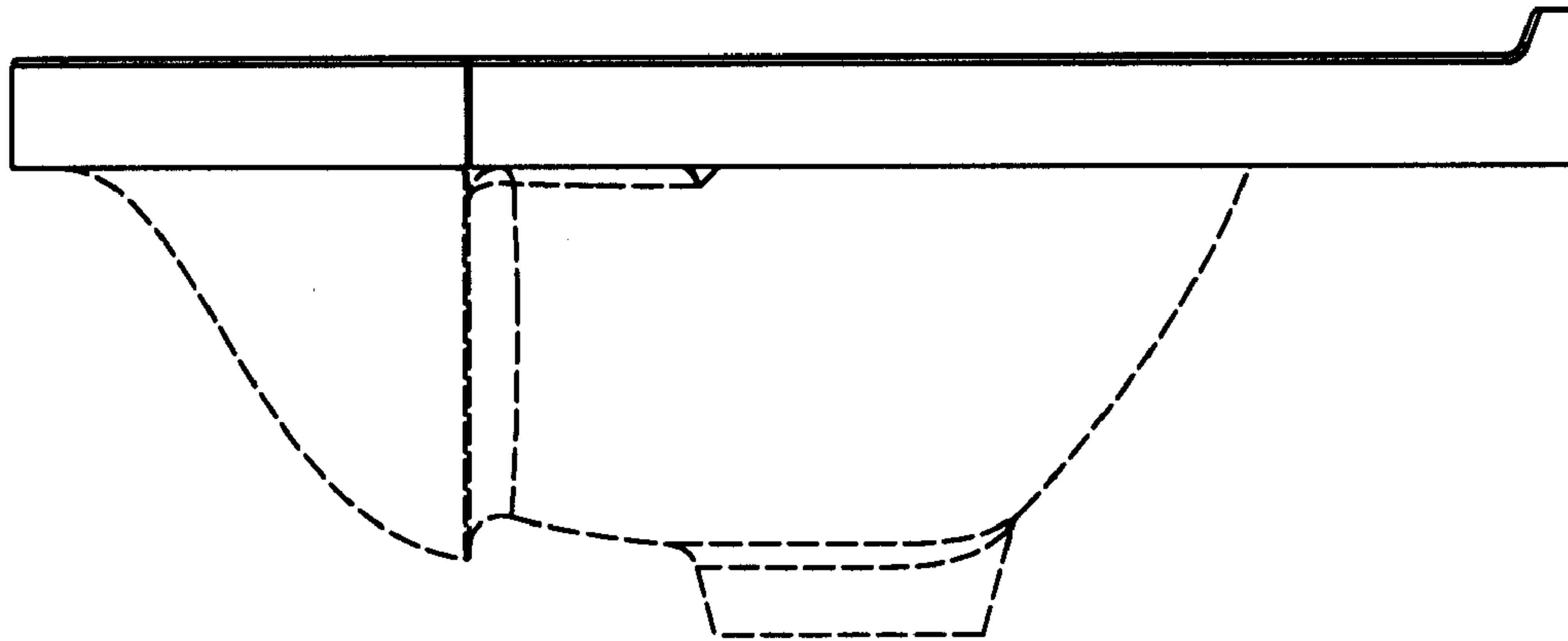


FIGURE 4