



US00D633604S

(12) **United States Design Patent**
Hoh et al.

(10) **Patent No.:** **US D633,604 S**
(45) **Date of Patent:** **** Mar. 1, 2011**

(54) **TUB FOR BATHING**

(75) Inventors: **Timothy E. Hoh**, Lions Bay (CA);
Kristopher W. Clover, Sheboygan, WI
(US); **Mary Reid**, Sheboygan, WI (US);
Herbert V. Kohler, Jr., Kohler, WI (US)

(73) Assignee: **Kohler Co.**, Kohler, WI (US)

(**) Term: **14 Years**

(21) Appl. No.: **29/356,274**

(22) Filed: **Feb. 23, 2010**

(51) **LOC (9) Cl.** **23-02**

(52) **U.S. Cl.** **D23/280.1**

(58) **Field of Classification Search** D23/275-277,
D23/280.1-280.4, 304; 4/552, 595, 538
See application file for complete search history.

(56) **References Cited**

U.S. PATENT DOCUMENTS

| | | | | |
|--------------|--------|--------|-------|-----------|
| D98,497 S * | 2/1936 | Clarke | | D23/280.1 |
| D564,639 S * | 3/2008 | Bruce | | D23/280.1 |
| D613,833 S * | 4/2010 | Bates | | D23/277 |

* cited by examiner

Primary Examiner—Robert A Delehanty

(74) *Attorney, Agent, or Firm*—Foley & Lardner LLP

(57) **CLAIM**

The ornamental design for a tub for bathing, as shown and described.

DESCRIPTION

FIG. 1 is a perspective view from the front, above and to the left of the tub for bathing which is the subject of our new design;

FIG. 2 is a top plan view thereof;

FIG. 3 is a front elevational view thereof, the rear elevational view being a mirror image thereof;

FIG. 4 is a right side elevational view thereof, the left side elevational view being a mirror image thereof; and,

FIG. 5 is a bottom plan view thereof.

The portions shown in broken lines in the drawings form no part of the claimed design.

1 Claim, 4 Drawing Sheets

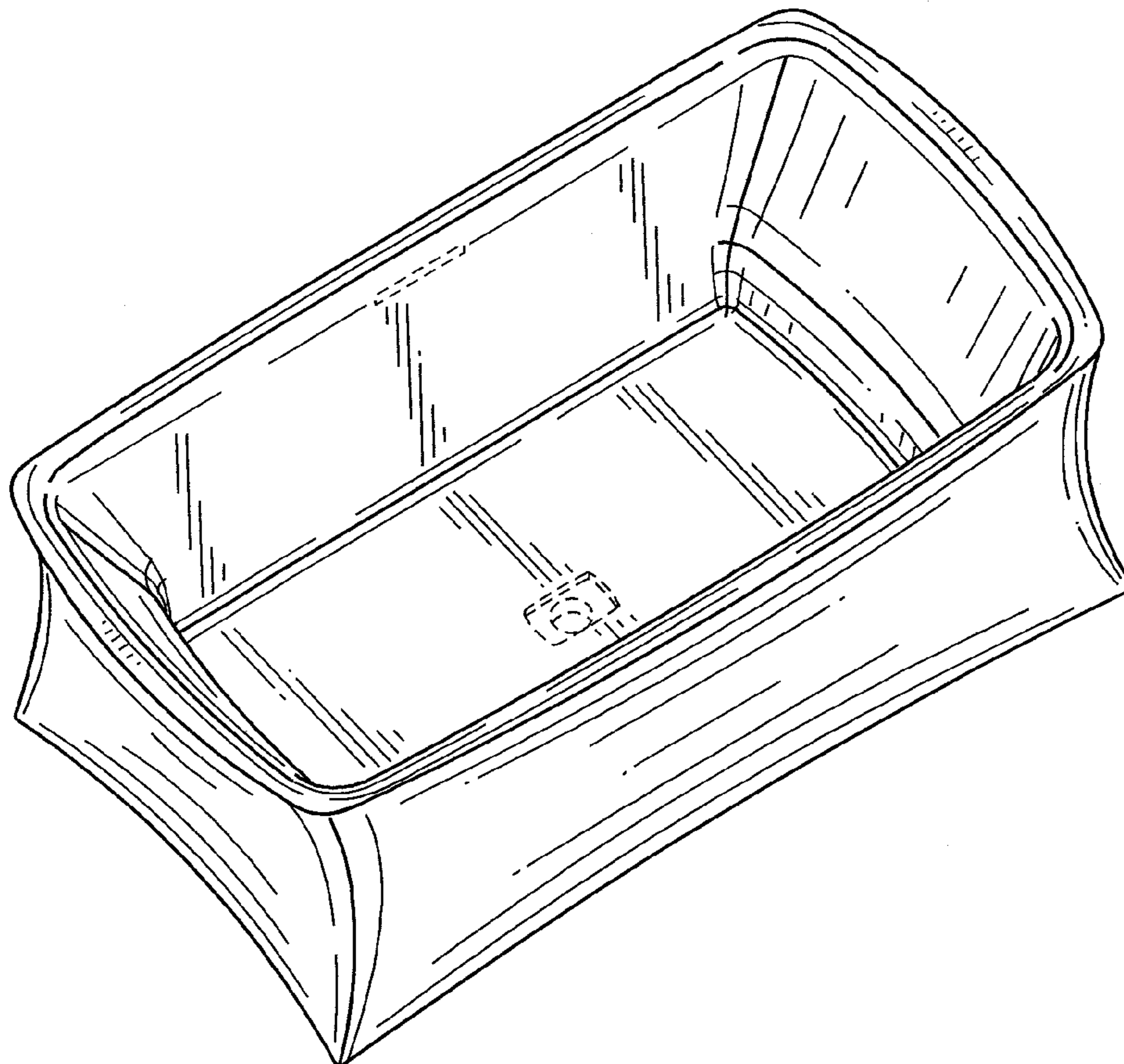
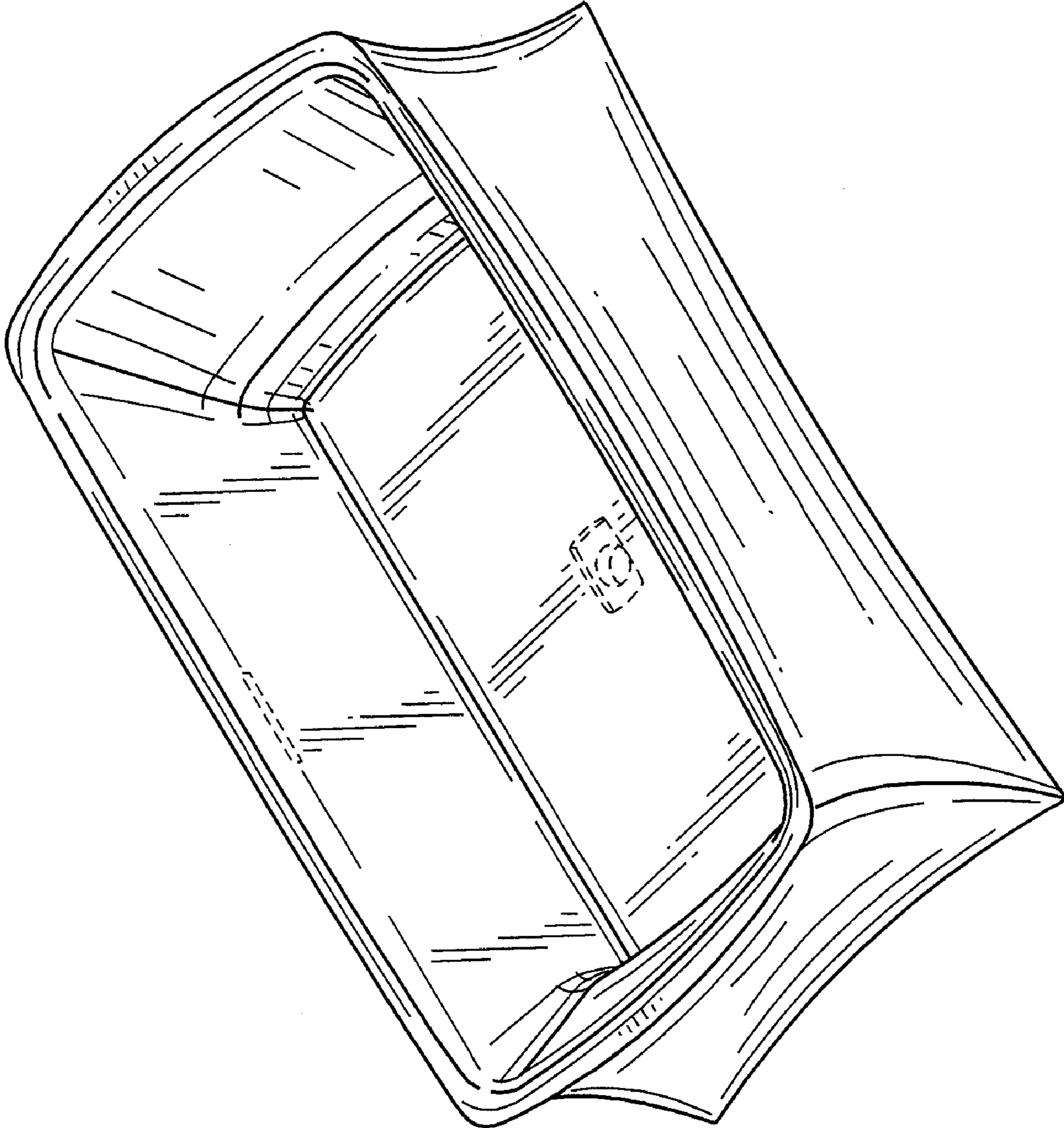


FIG. 1



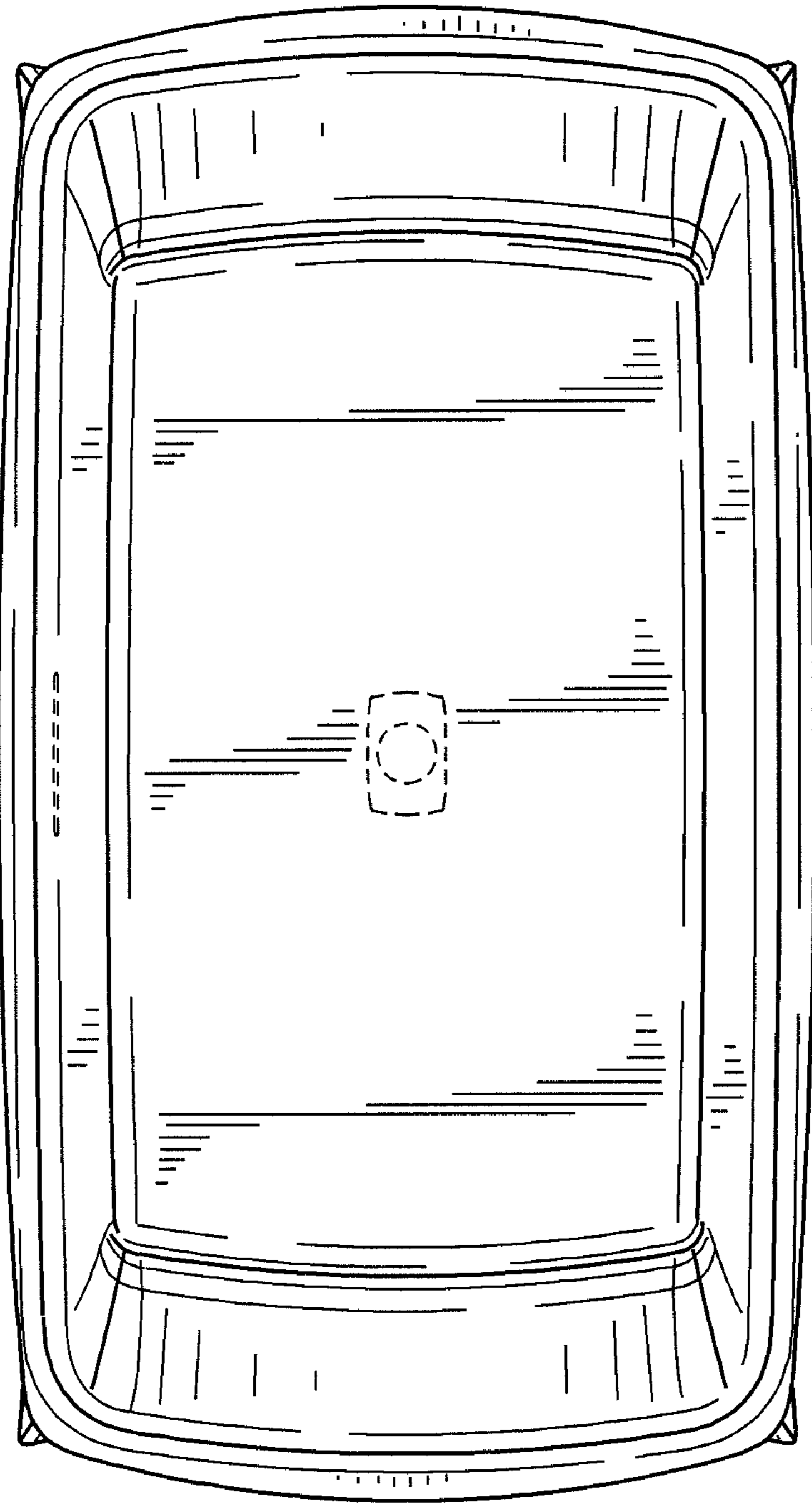


FIG. 2

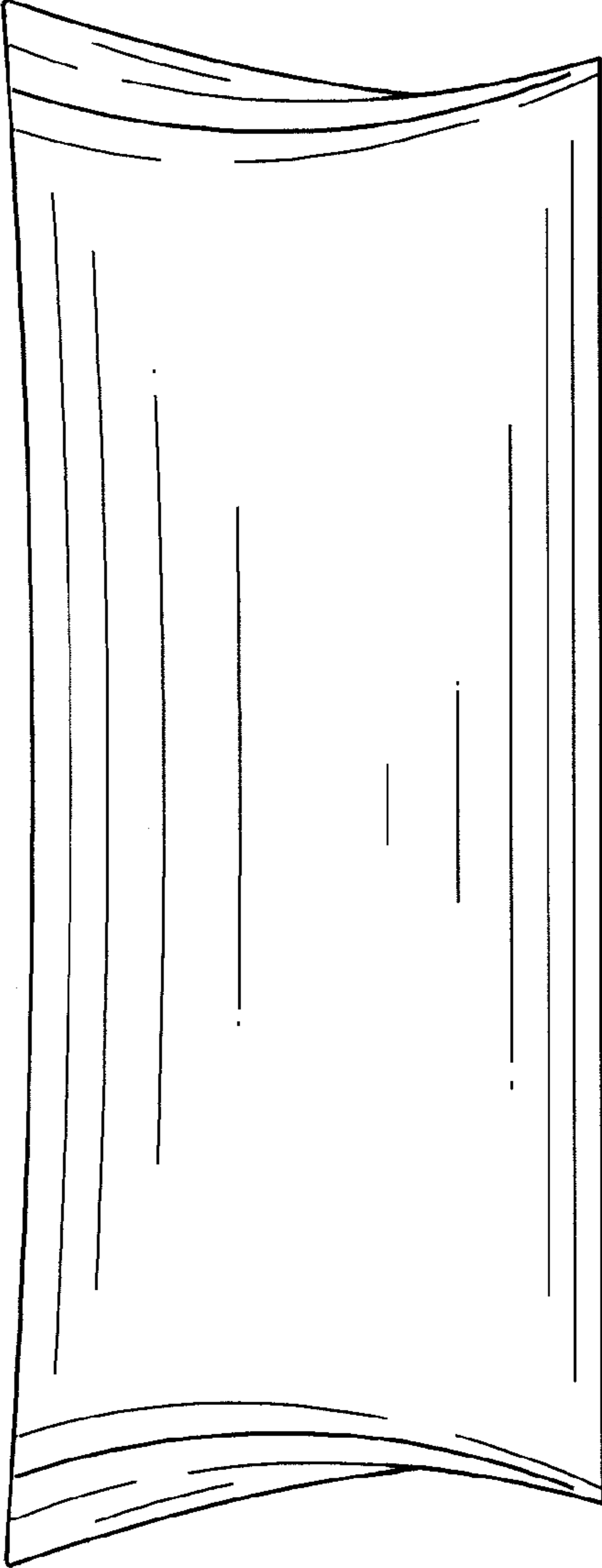


FIG. 3

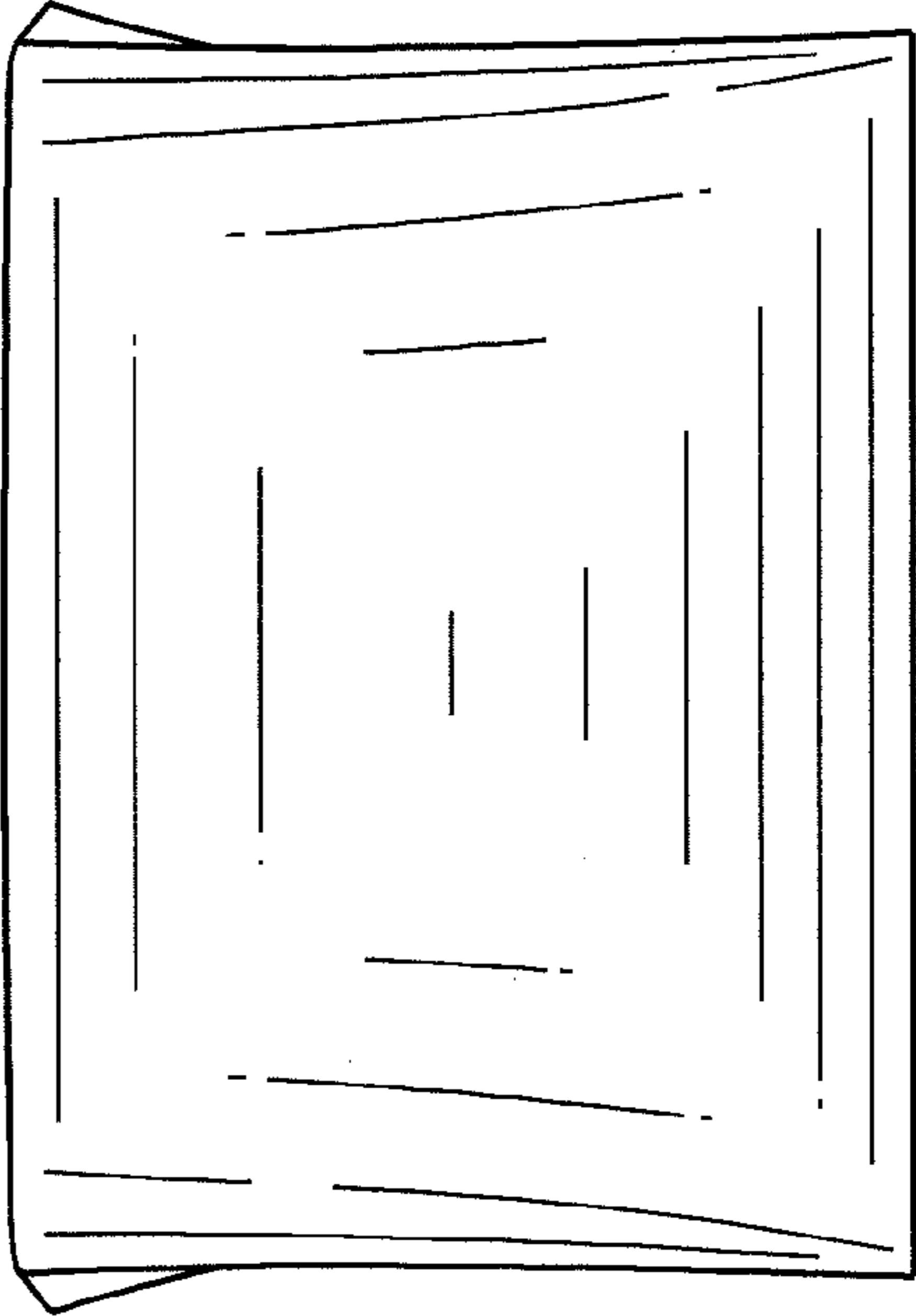


FIG. 4

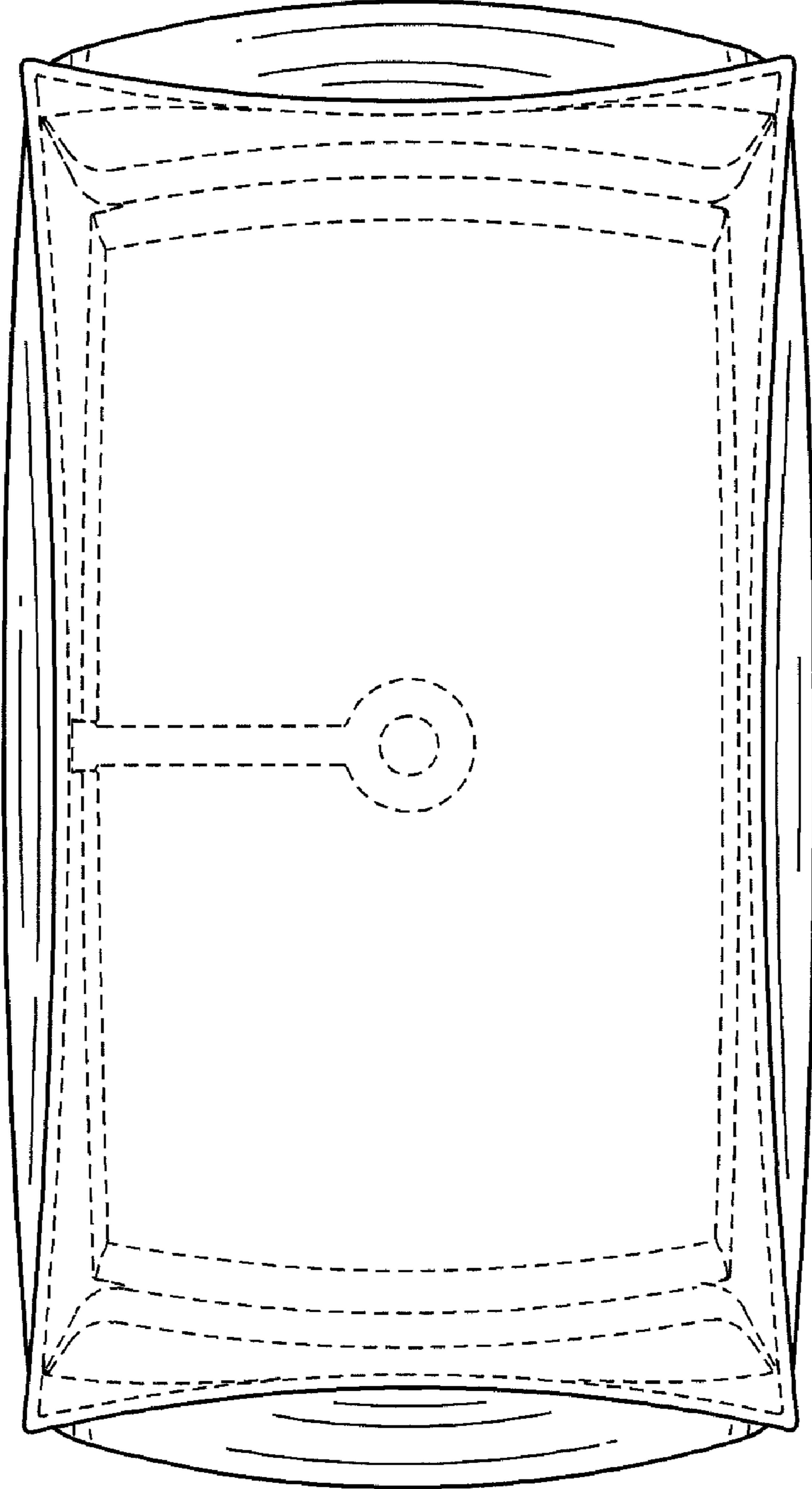


FIG. 5