



US00D633602S

(12) **United States Design Patent**
Miura et al.

(10) **Patent No.:** **US D633,602 S**

(45) **Date of Patent:** **** Mar. 1, 2011**

(54) **BATHTUB**

D595,817 S * 7/2009 Stanchak et al. D23/277

(75) Inventors: **Osamu Miura**, Kitakyushu (JP);
Hajime Kakihana, Morrow, GA (US);
Minoru Tani, Kitakyushu (JP); **James Piatt**, Los Angeles, CA (US)

* cited by examiner

Primary Examiner—Robert A Delehanty
(74) *Attorney, Agent, or Firm*—Birch, Stewart, Kolasch & Birch, LLP

(73) Assignee: **Toto Ltd.**, Kitakyushu-Shi (JP)

(57) **CLAIM**

(**) Term: **14 Years**

The ornamental design for a bathtub, as shown and described.

(21) Appl. No.: **29/344,440**

(22) Filed: **Sep. 29, 2009**

DESCRIPTION

(30) **Foreign Application Priority Data**

Apr. 22, 2009 (JP) 2009-009253

FIG. 1 is a perspective view of the top, front and right side of a bathtub showing our new design;

(51) **LOC (9) Cl.** **23-02**

(52) **U.S. Cl.** **D23/280.1**

FIG. 2 is a front view thereof;

FIG. 3 is a rear view thereof;

FIG. 4 is a left side view thereof;

FIG. 5 is a right side view thereof;

FIG. 6 is a top plan view thereof;

FIG. 7 is a bottom view thereof; and,

FIG. 8 is a cross sectional view at 8—8 in FIG. 6 omitting interior mechanism thereof.

(58) **Field of Classification Search** D23/275–277,
D23/280.1–280.4, 304; 4/552, 595, 538

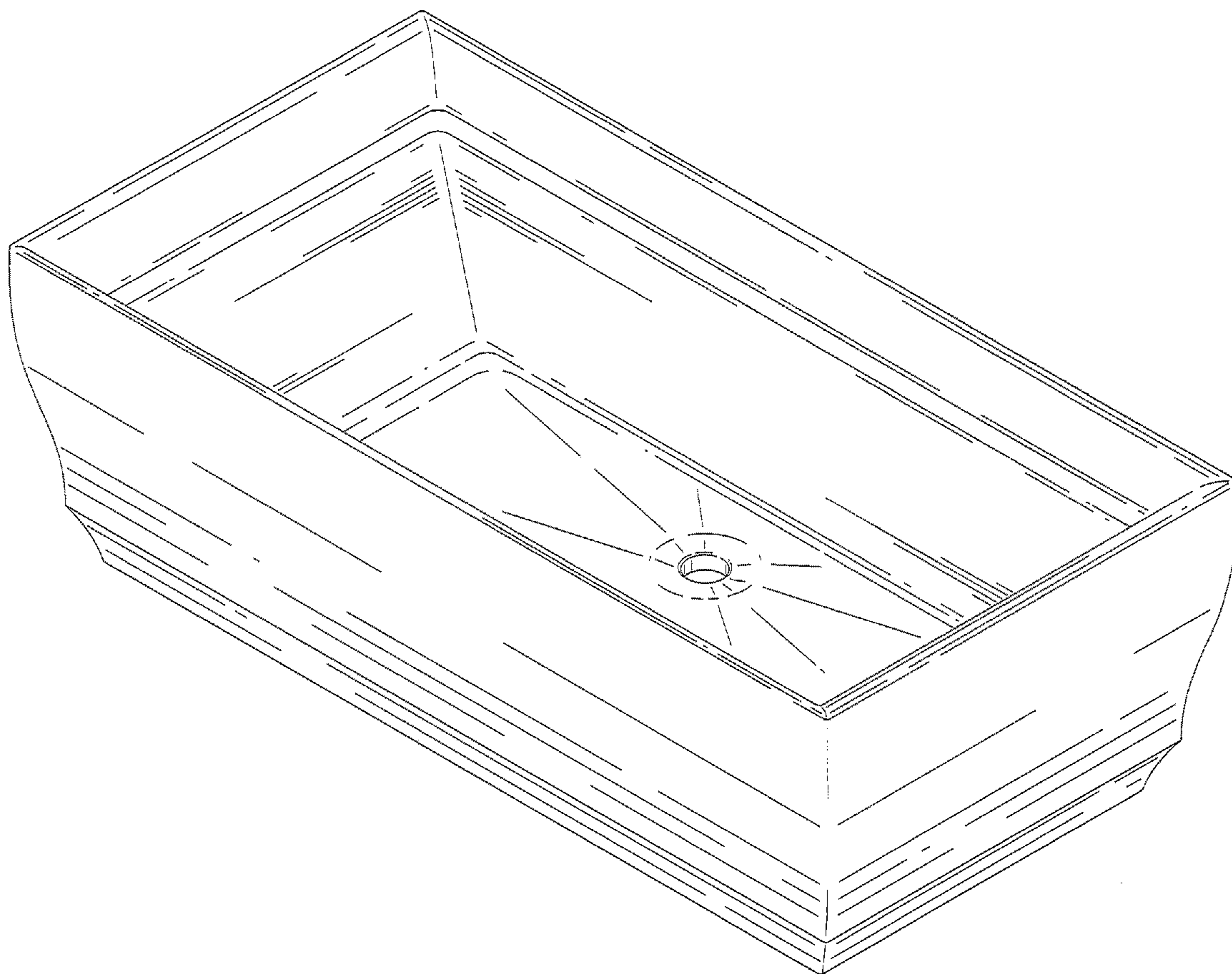
See application file for complete search history.

(56) **References Cited**

U.S. PATENT DOCUMENTS

D564,639 S * 3/2008 Bruce D23/280.1

1 Claim, 7 Drawing Sheets



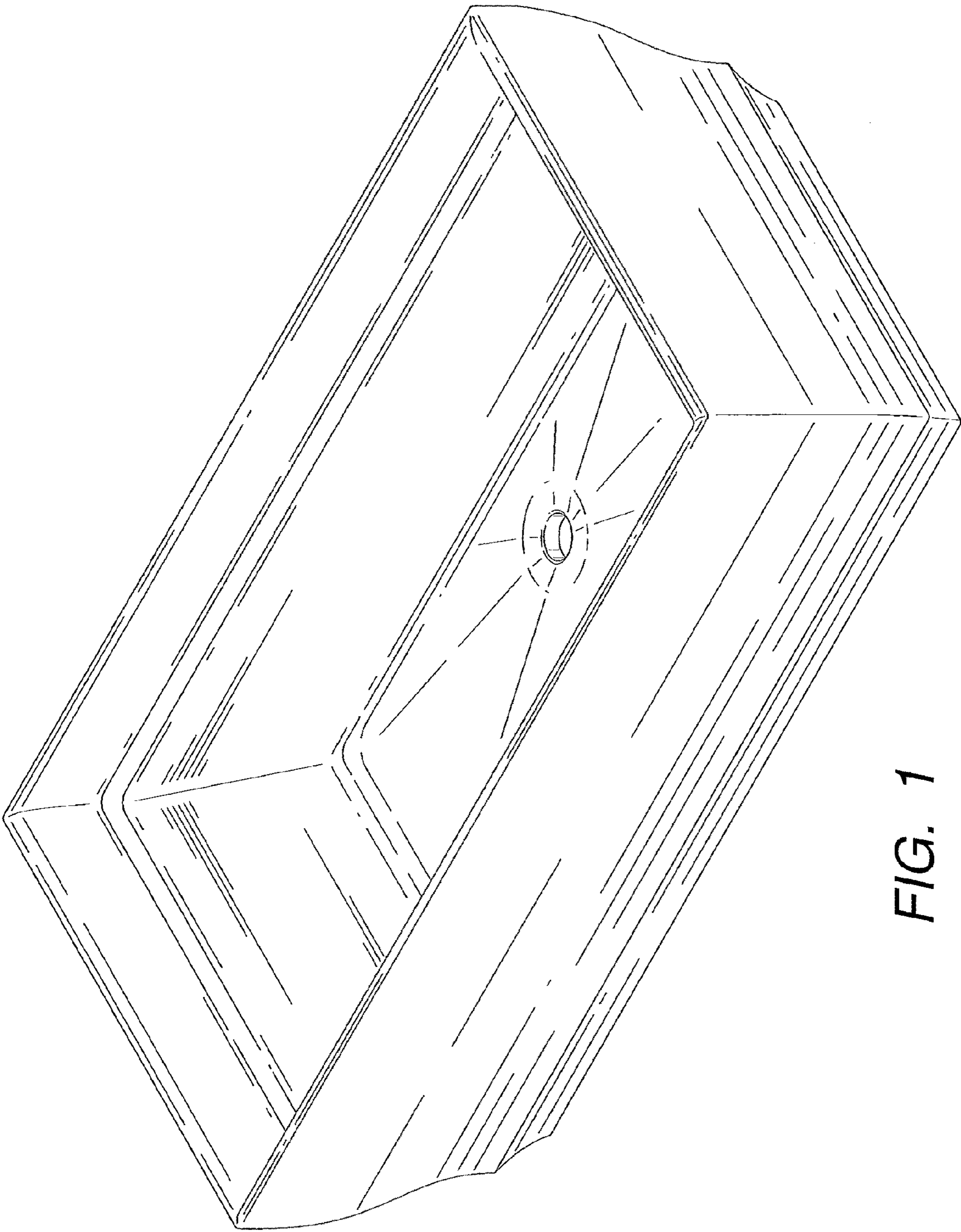


FIG. 1

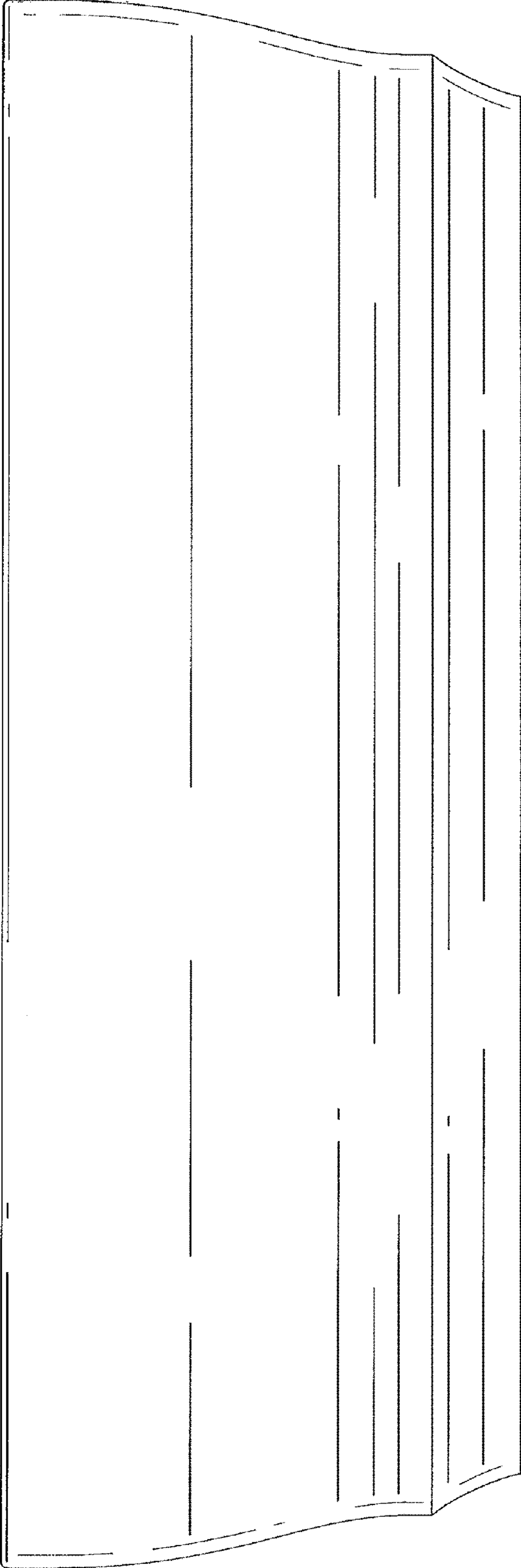


FIG. 2

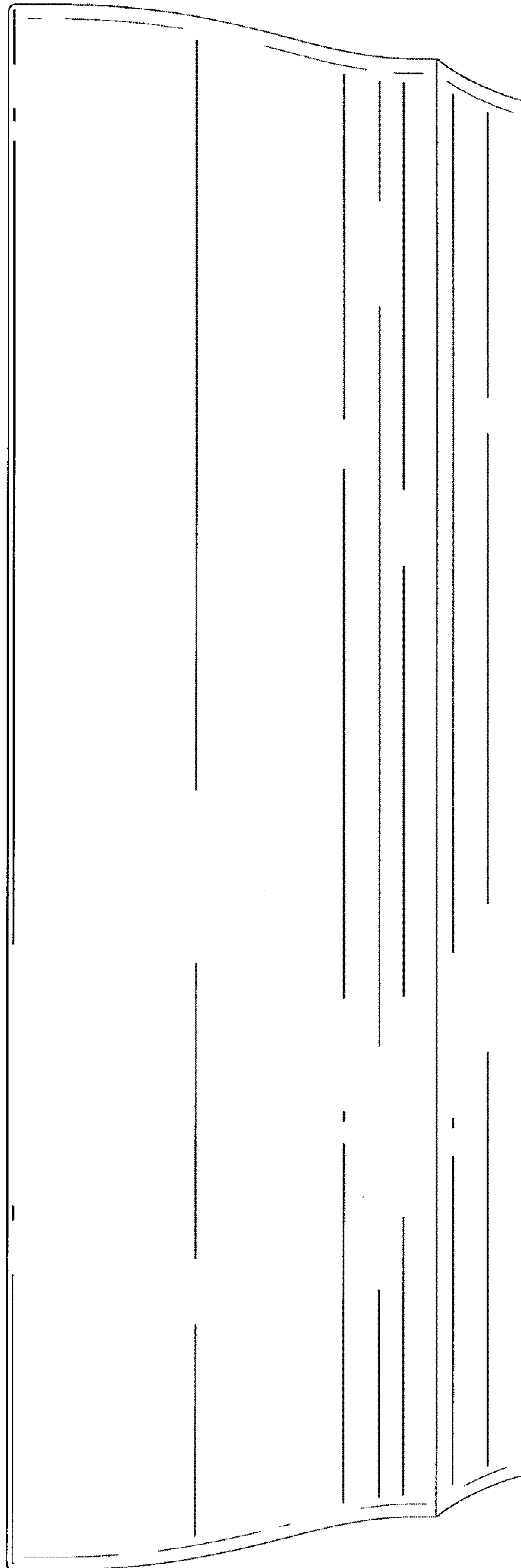


FIG. 3

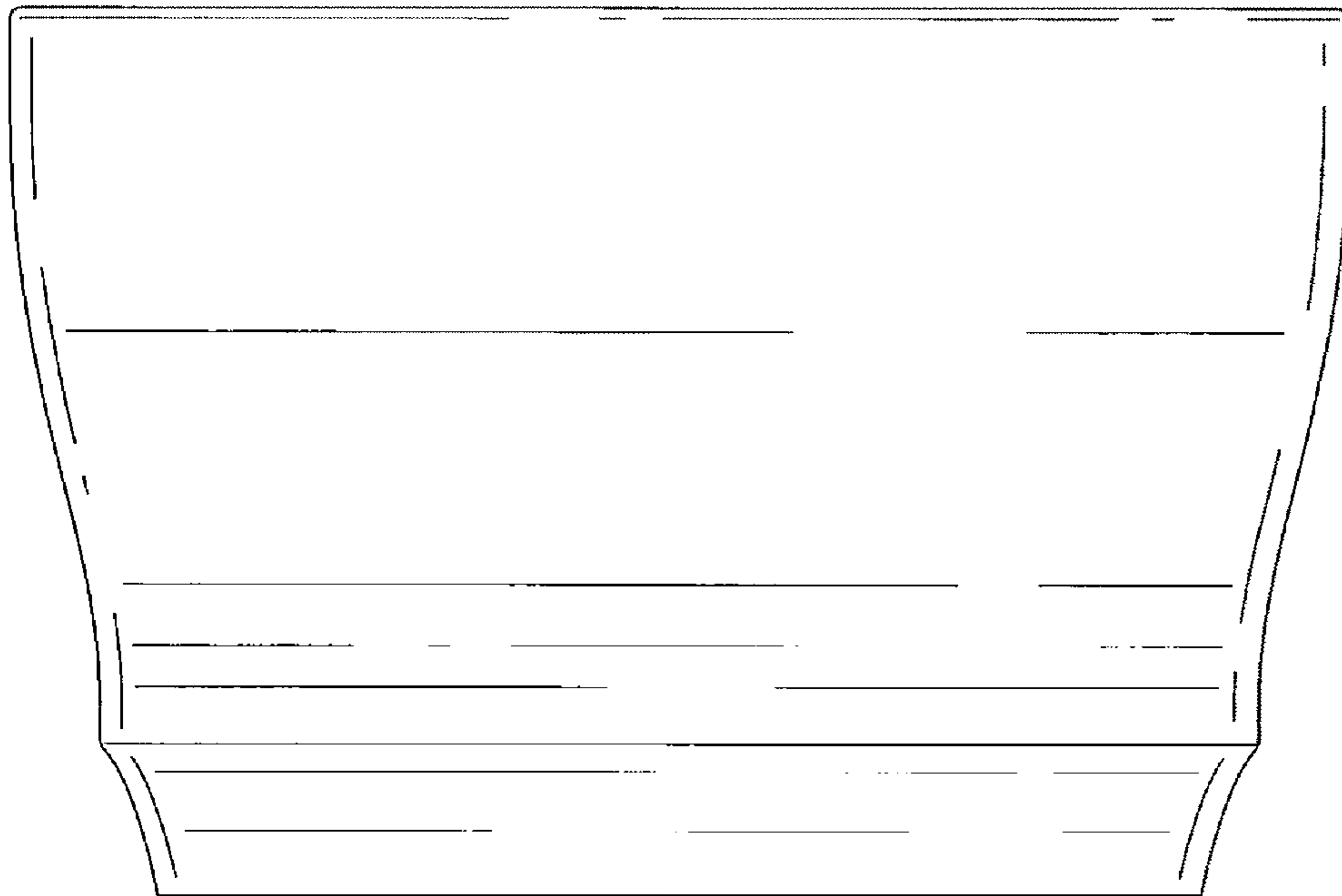


FIG. 4

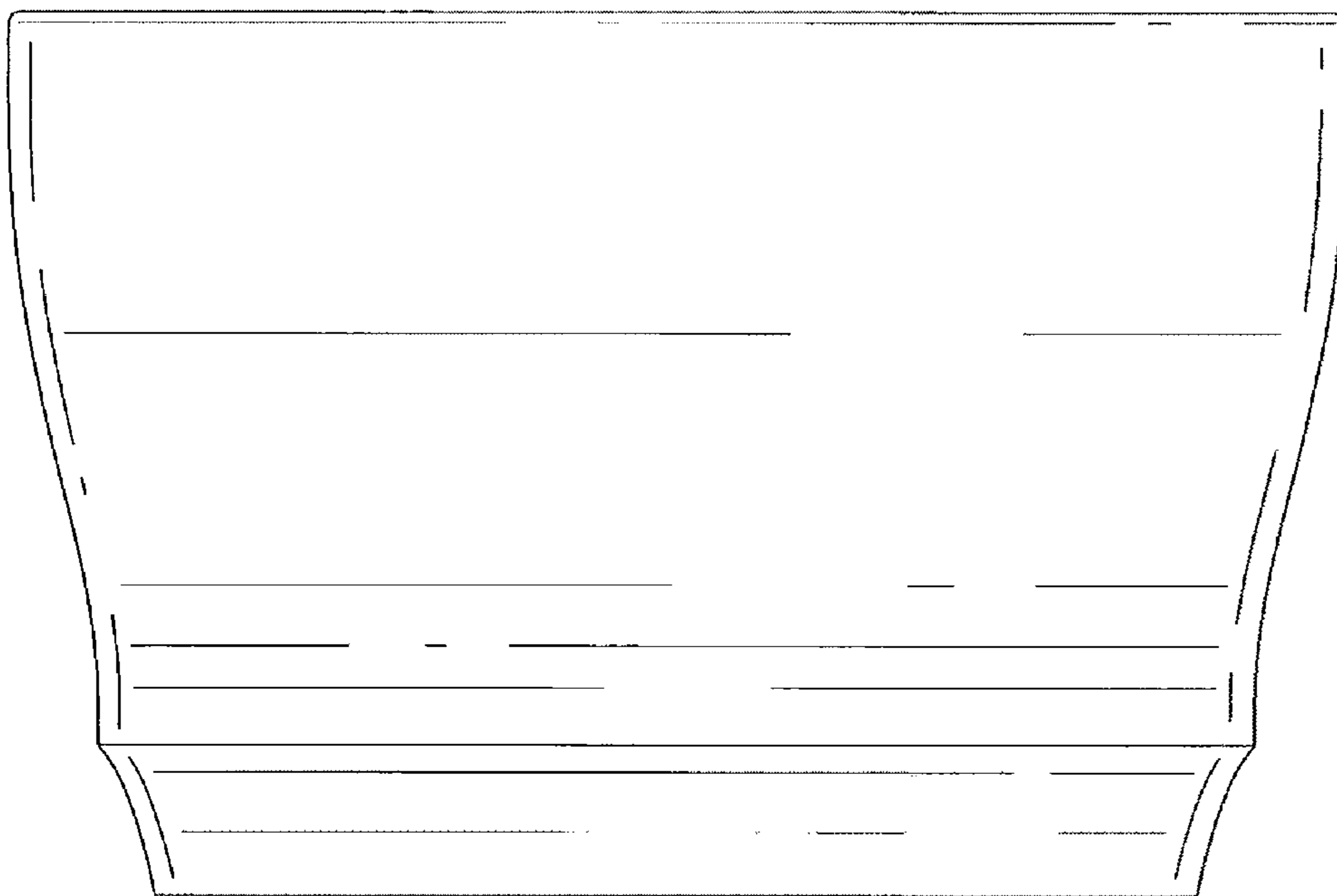
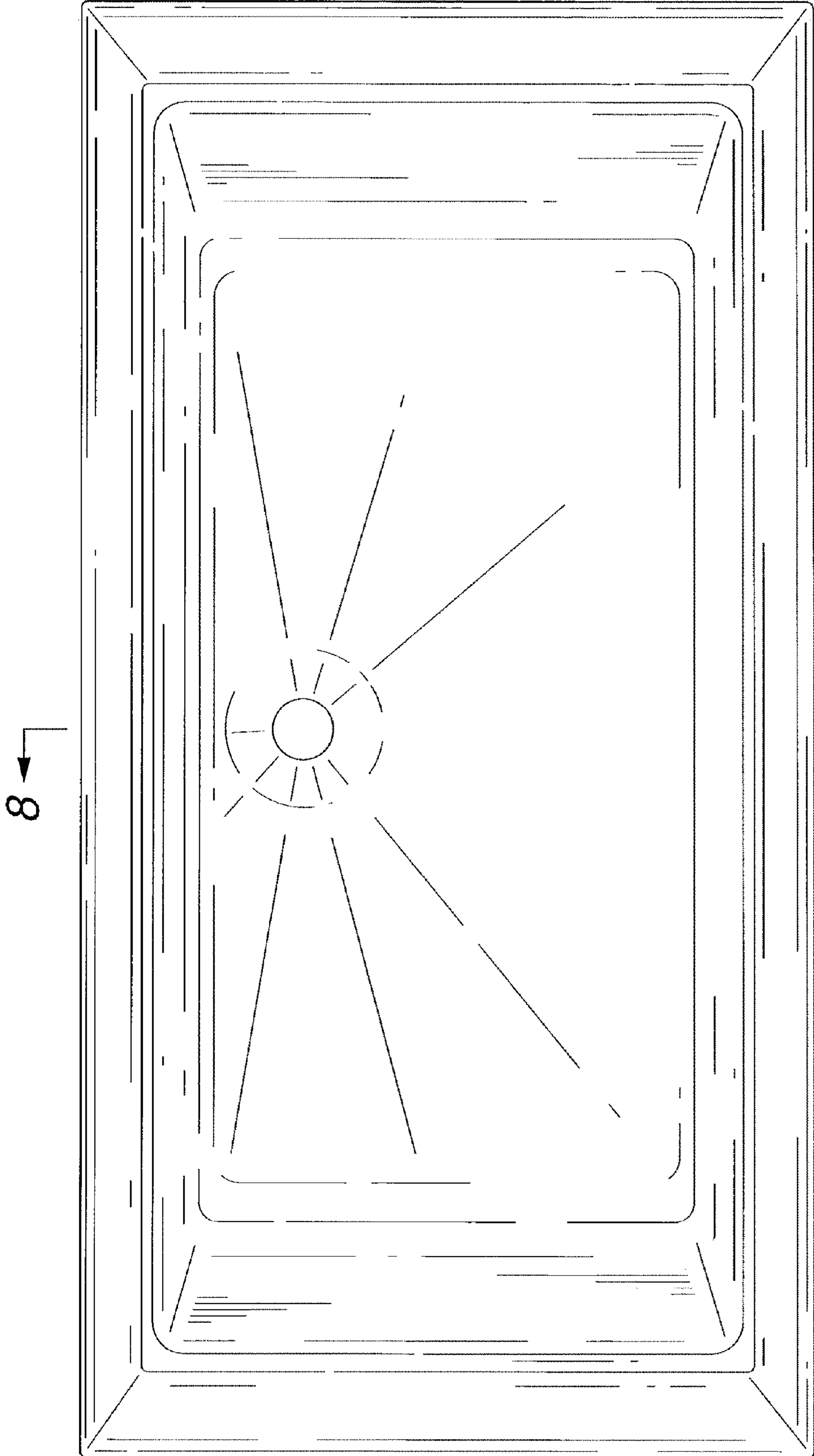


FIG. 5



8
FIG. 6

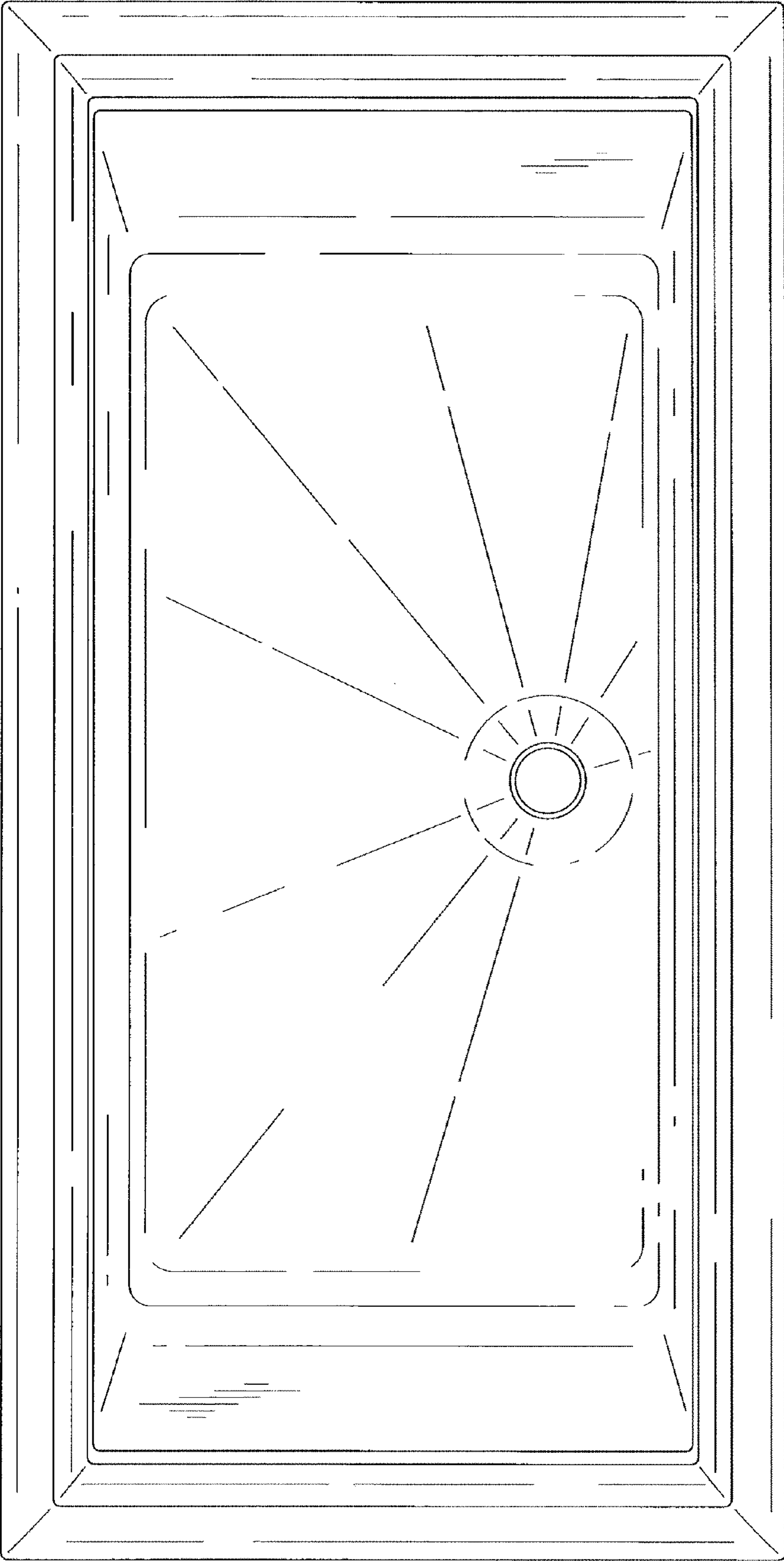


FIG. 7

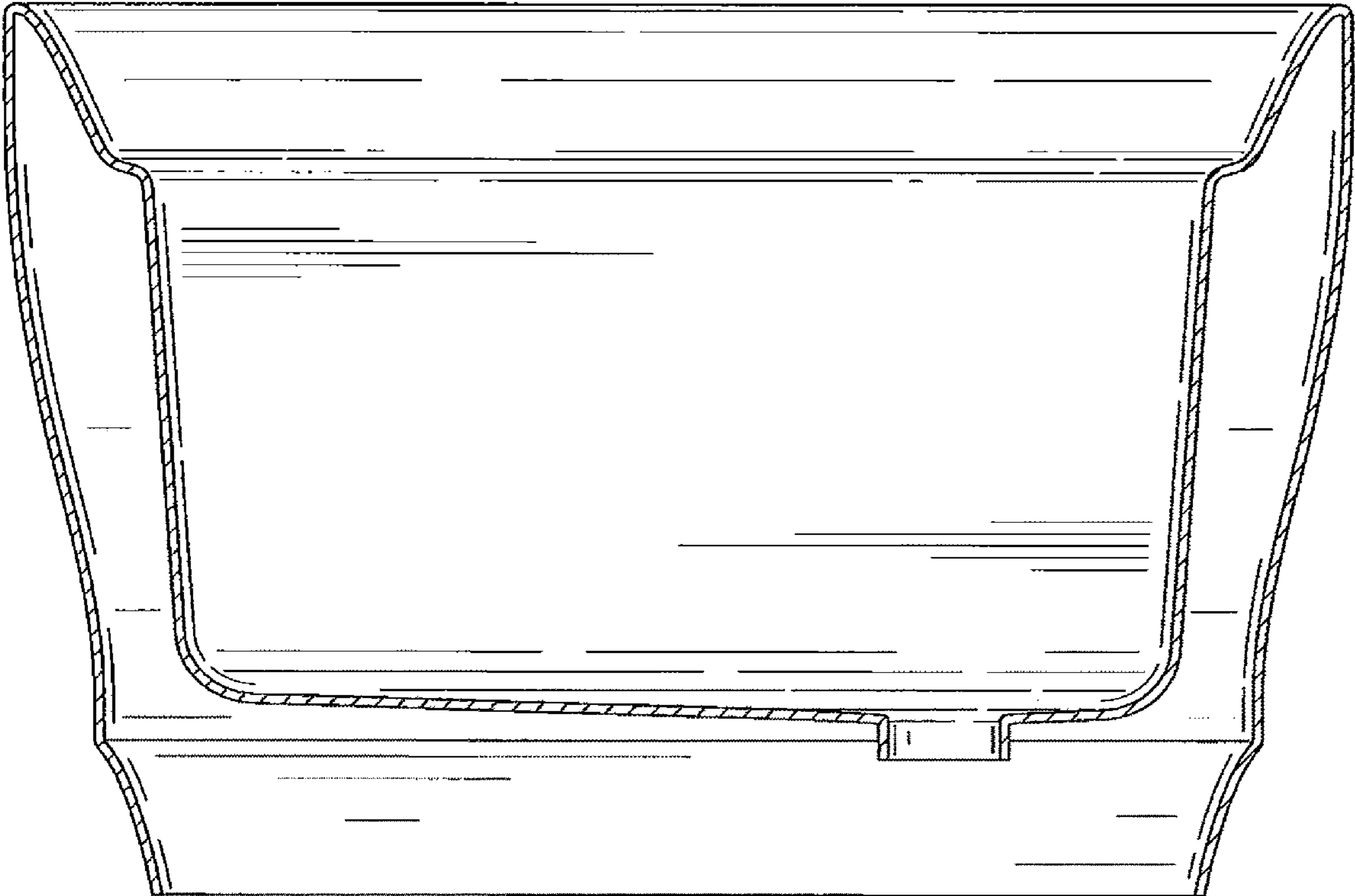


FIG. 8