



US00D633599S

(12) **United States Design Patent**  
**Cummings et al.**

(10) **Patent No.:** **US D633,599 S**  
(45) **Date of Patent:** **\*\* Mar. 1, 2011**

(54) **MIXER TAP**

(57) **CLAIM**

(75) Inventors: **Stephen John Cummings**, Newport (AU); **David Giorgio**, Five Dock (AU)

We claim the ornamental design for a mixer tap, as shown and described.

(73) Assignee: **Caroma Industries Limited**, Brisbane (AU)

(\*\*) Term: **14 Years**

(21) Appl. No.: **29/328,321**

(22) Filed: **Nov. 21, 2008**

(30) **Foreign Application Priority Data**

May 28, 2008 (AU) ..... 12595/2008  
Nov. 12, 2008 (AU) ..... 15344/2008

(51) **LOC (9) Cl.** ..... **23-01**

(52) **U.S. Cl.** ..... **D23/238**

(58) **Field of Classification Search** ..... D23/200,  
D23/235, 238–257; D6/512, 550; D8/300,  
D8/307, 308, 310–312, 321; 4/675–678;  
137/801; 16/110–1, 441

See application file for complete search history.

(56) **References Cited**

**U.S. PATENT DOCUMENTS**

D224,403 S 7/1972 Jenner

(Continued)

**FOREIGN PATENT DOCUMENTS**

AU 12592/2008 5/2008

(Continued)

*Primary Examiner*—Cathron C. Brooks

*Assistant Examiner*—Maurice Stevens

(74) *Attorney, Agent, or Firm*—Dascenzo Intellectual Property Law, P.C.

**DESCRIPTION**

FIG. 1 is an isometric front view showing an embodiment of the new design.

FIG. 2 is an isometric rear view of the embodiment of FIG. 1.

FIG. 3 is a front view of the embodiment of FIG. 1.

FIG. 4 is a rear view of the embodiment of FIG. 1.

FIG. 5 is a right side view of the embodiment of FIG. 1.

FIG. 6 is a left side view of the embodiment of FIG. 1.

FIG. 7 is a top view of the embodiment of FIG. 1.

FIG. 8 is a bottom view of the embodiment of FIG. 1.

FIG. 9 is an isometric front view showing another embodiment of the new design.

FIG. 10 is an isometric rear view of the embodiment of FIG. 9.

FIG. 11 is a front view of the embodiment of FIG. 9.

FIG. 12 is a rear view of the embodiment of FIG. 9.

FIG. 13 is a right side view of the embodiment of FIG. 9.

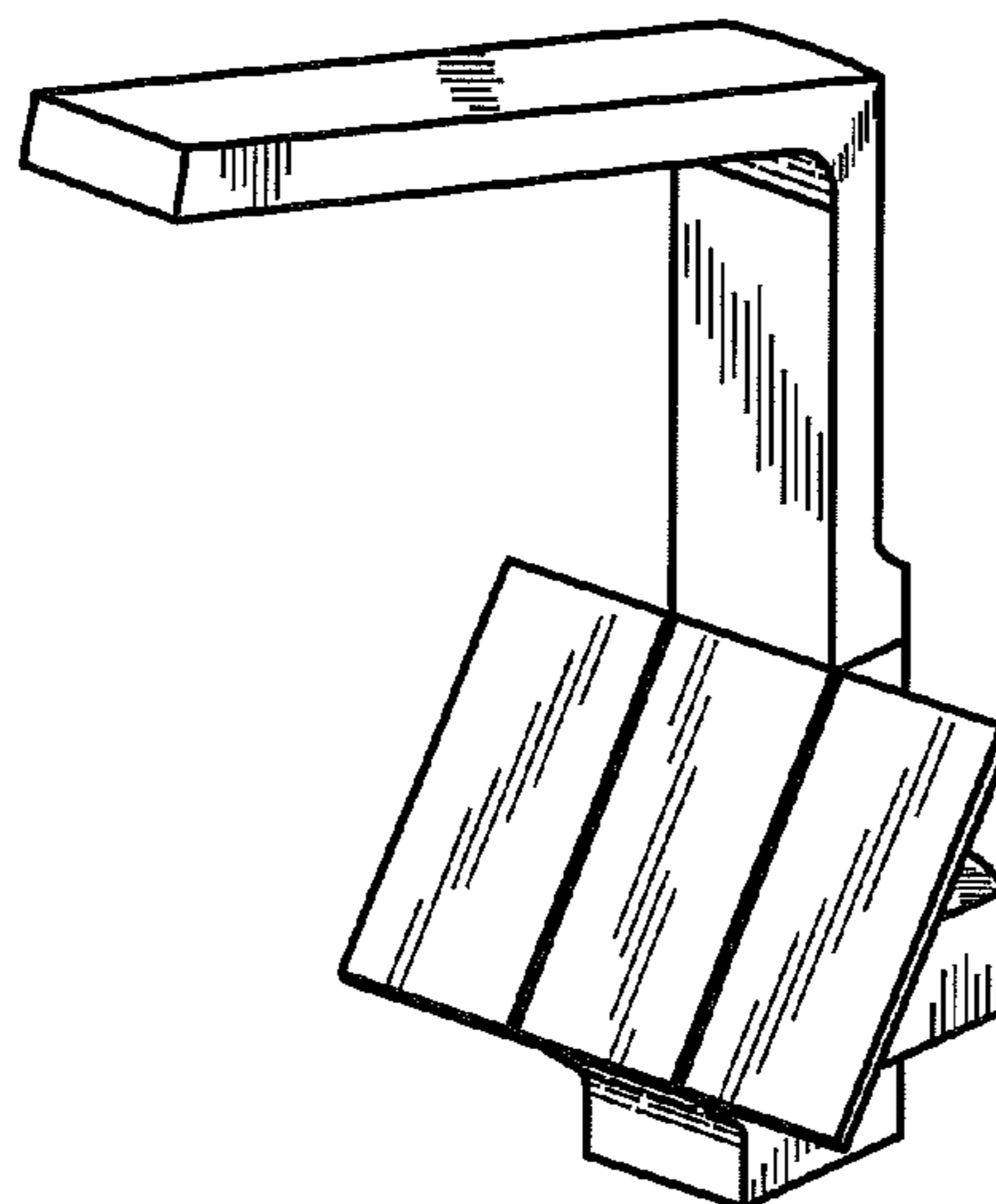
FIG. 14 is a left side view of the embodiment of FIG. 9; and,

FIG. 15 is a top view of the embodiment of FIG. 9.

The broken lines shown in FIGS. 3, 8 and 11 represent unclaimed portions of the mixer tap, and form no part of the claimed design.

The shading lines shown in the drawings represent the contours of the design, and are not intended to indicate surface decoration.

**1 Claim, 4 Drawing Sheets**



# US D633,599 S

Page 2

## U.S. PATENT DOCUMENTS

D265,231 S 6/1982 Paul  
D266,104 S 9/1982 Johnson  
D271,704 S 12/1983 Paul  
D292,430 S 10/1987 Enthoven  
D509,565 S 9/2005 Starck  
D510,611 S 10/2005 Jorgensen et al.  
D511,201 S 11/2005 Kulig et al.  
D513,059 S 12/2005 Pauls  
D517,169 S 3/2006 Ogata et al.  
D528,637 S 9/2006 Massaud  
D529,133 S 9/2006 Massaud  
D529,134 S 9/2006 Massaud  
D529,994 S 10/2006 Kulig  
D534,245 S \* 12/2006 Egli et al. .... D23/238  
D534,619 S 1/2007 Garner  
D534,989 S 1/2007 Massaud  
D535,358 S \* 1/2007 Demmer et al. .... D23/238  
D536,423 S 2/2007 Zetsche  
D536,767 S 2/2007 Massaud  
7,171,984 B2 \* 2/2007 Pawelzik et al. .... 137/606  
D540,912 S 4/2007 Qing  
D541,906 S 5/2007 Qing

D546,922 S \* 7/2007 Demmer et al. .... D23/238  
D548,308 S 8/2007 Hoernig  
D553,714 S \* 10/2007 Demmer et al. .... D23/238  
D569,948 S \* 5/2008 Noth et al. .... D23/235  
D579,521 S 10/2008 Kulig  
D580,024 S 11/2008 Gilbert  
D580,524 S 11/2008 Starck  
D589,119 S 3/2009 Oh  
D590,050 S 4/2009 Miyamoto  
D596,711 S 7/2009 Sieger  
D602,121 S 10/2009 Yabe et al.  
D622,352 S \* 8/2010 Cummings et al. .... D23/238  
D622,353 S \* 8/2010 Cummings et al. .... D23/238  
D622,815 S \* 8/2010 Cummings et al. .... D23/238  
D622,816 S \* 8/2010 Cummings et al. .... D23/238

## FOREIGN PATENT DOCUMENTS

AU 12594/2008 5/2008  
AU 15340/2008 11/2008  
AU 15343/2008 11/2008  
AU 15345/2008 11/2008  
AU 15347/2008 11/2008

\* cited by examiner

Fig. 1

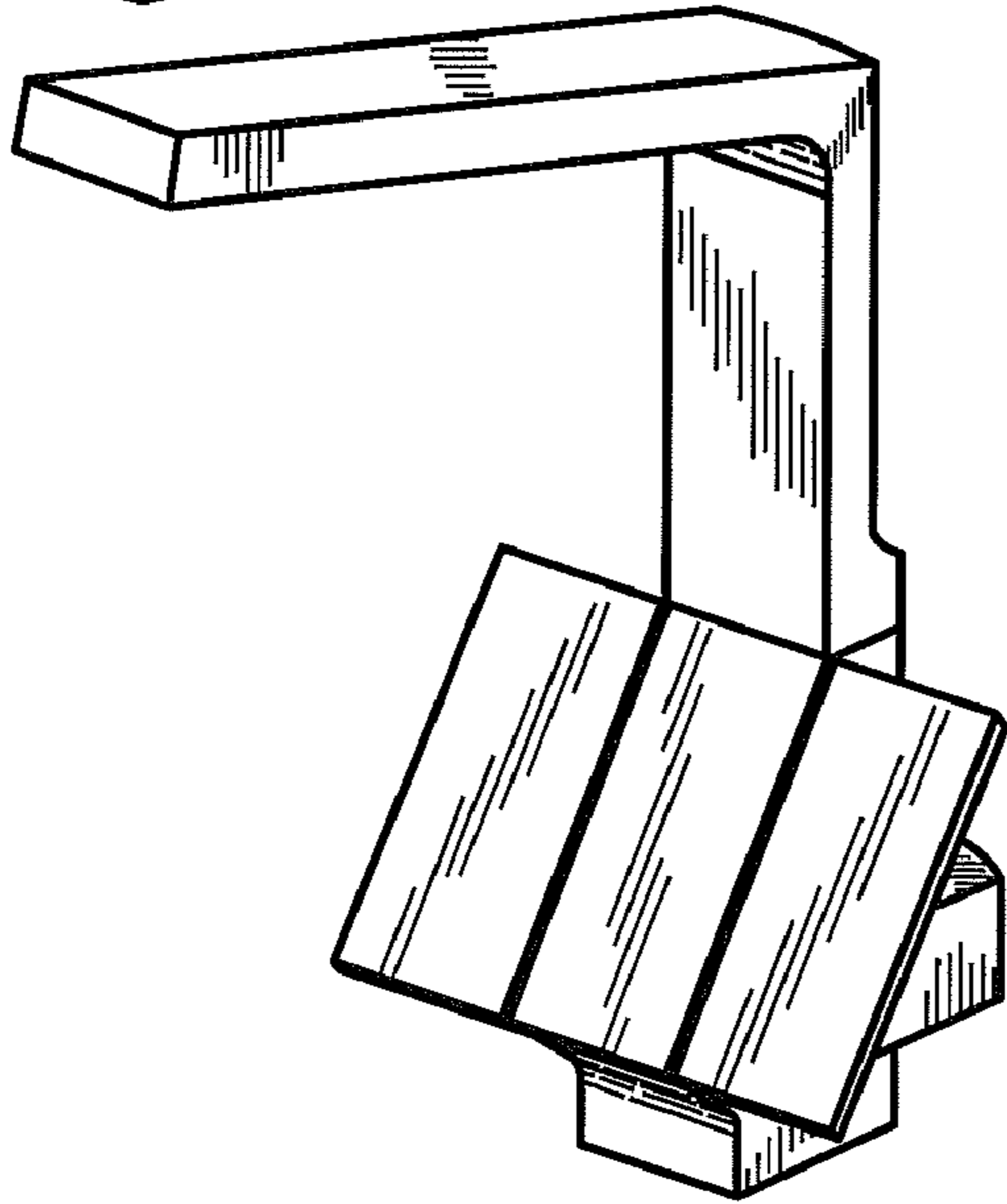


Fig. 2

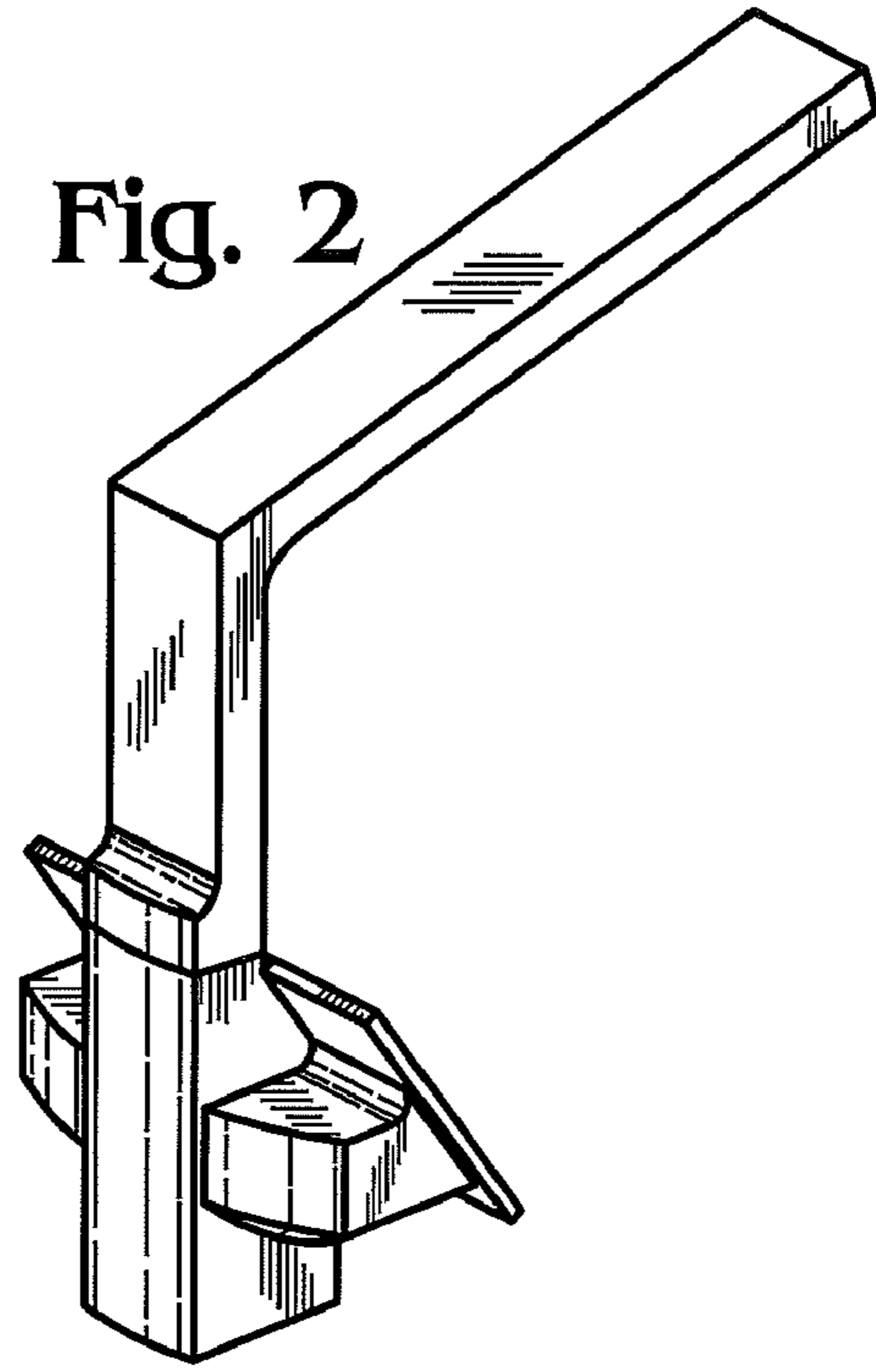


Fig. 3

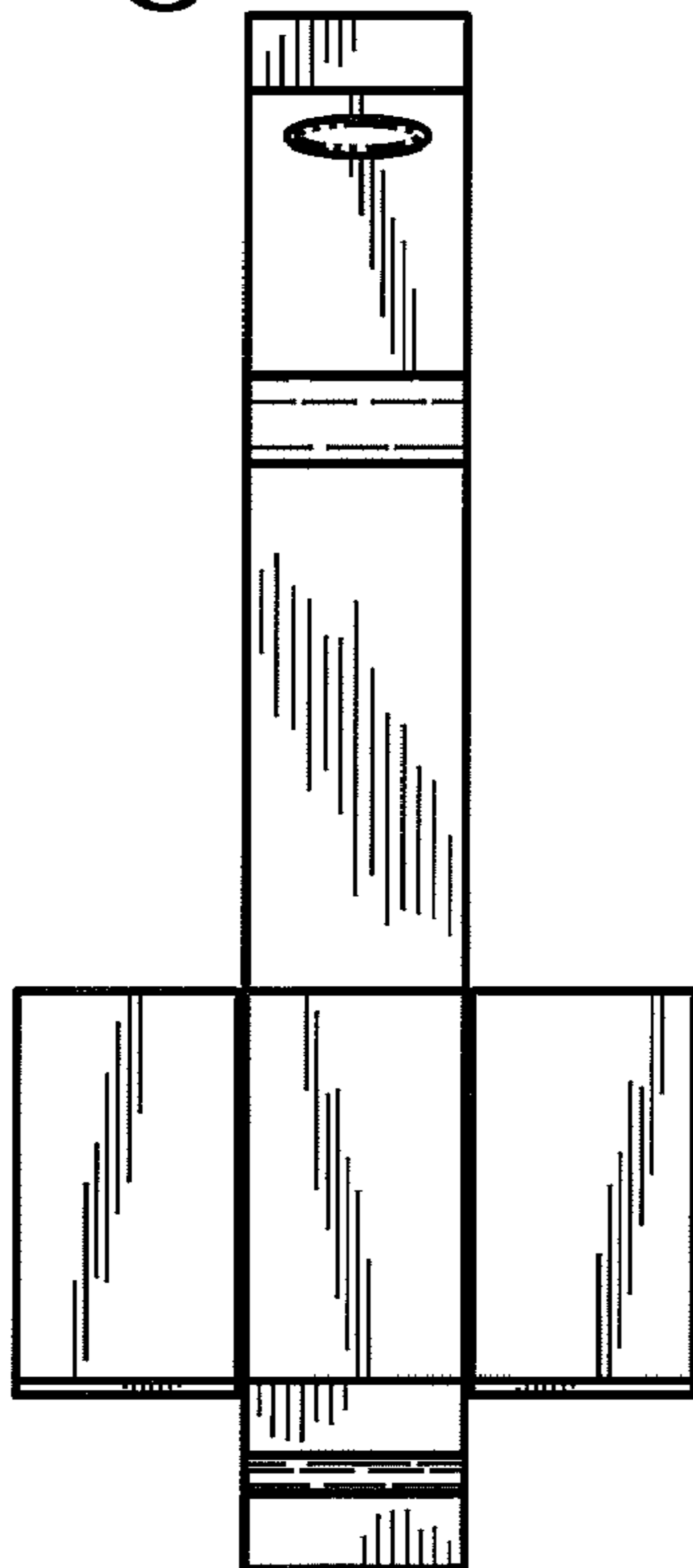
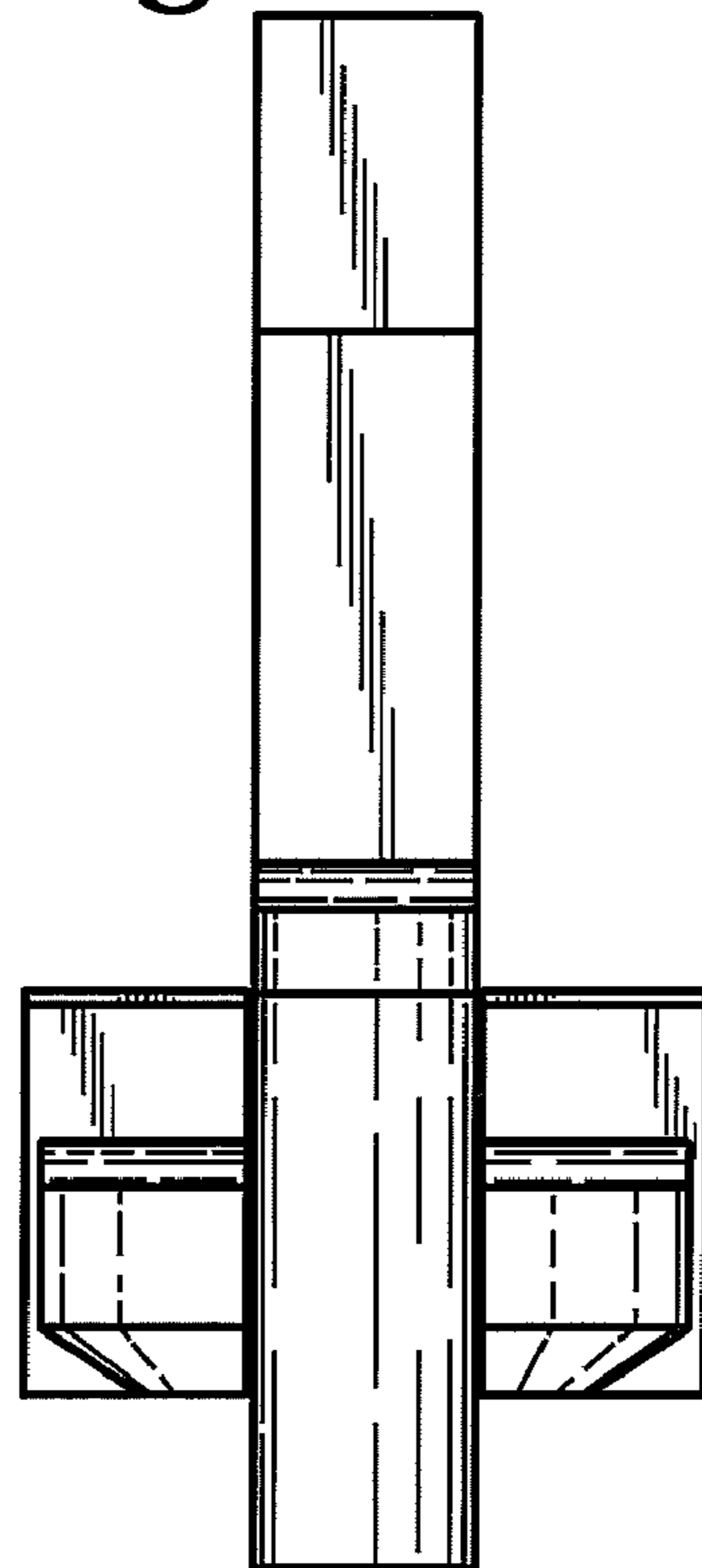


Fig. 4



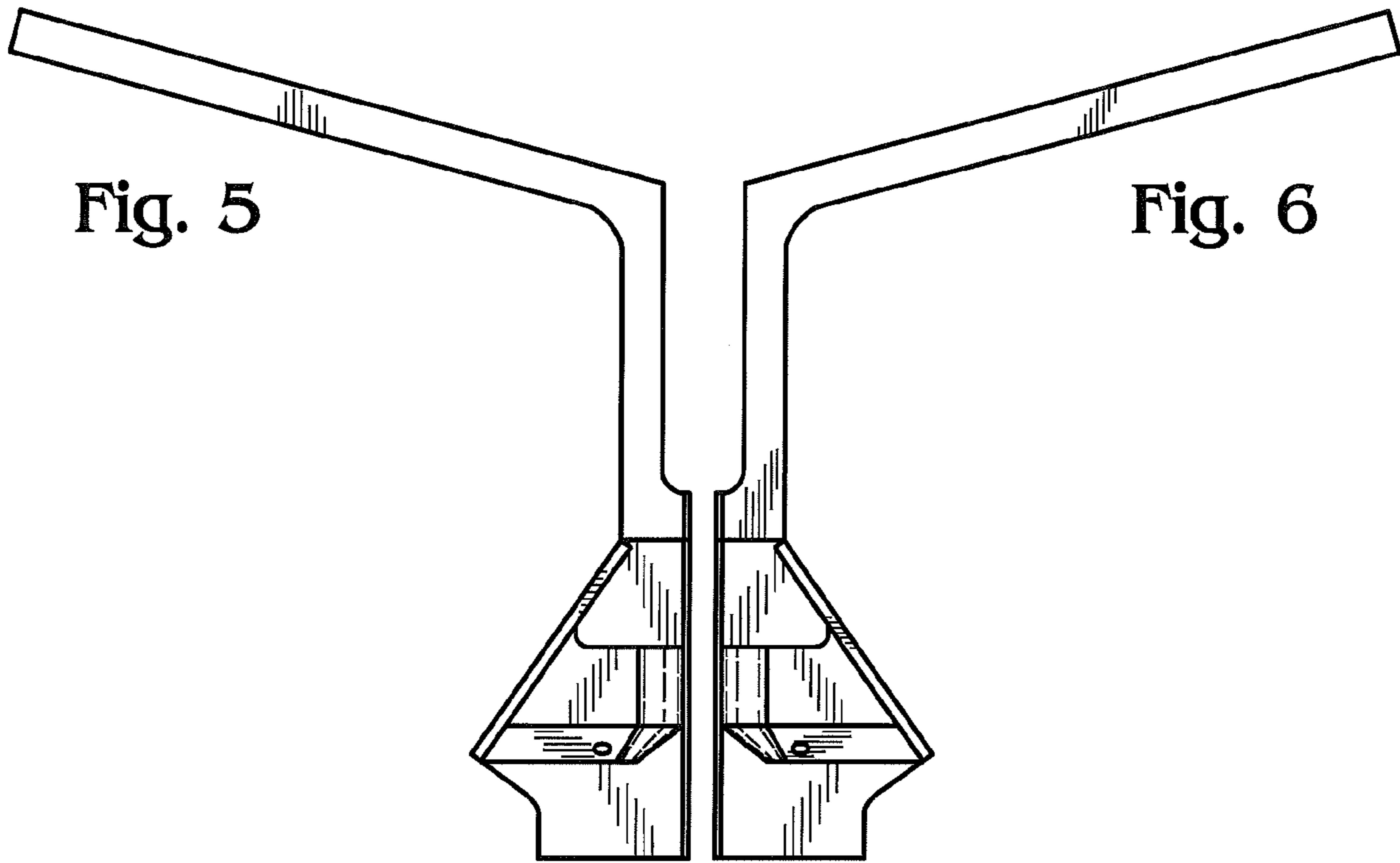


Fig. 7

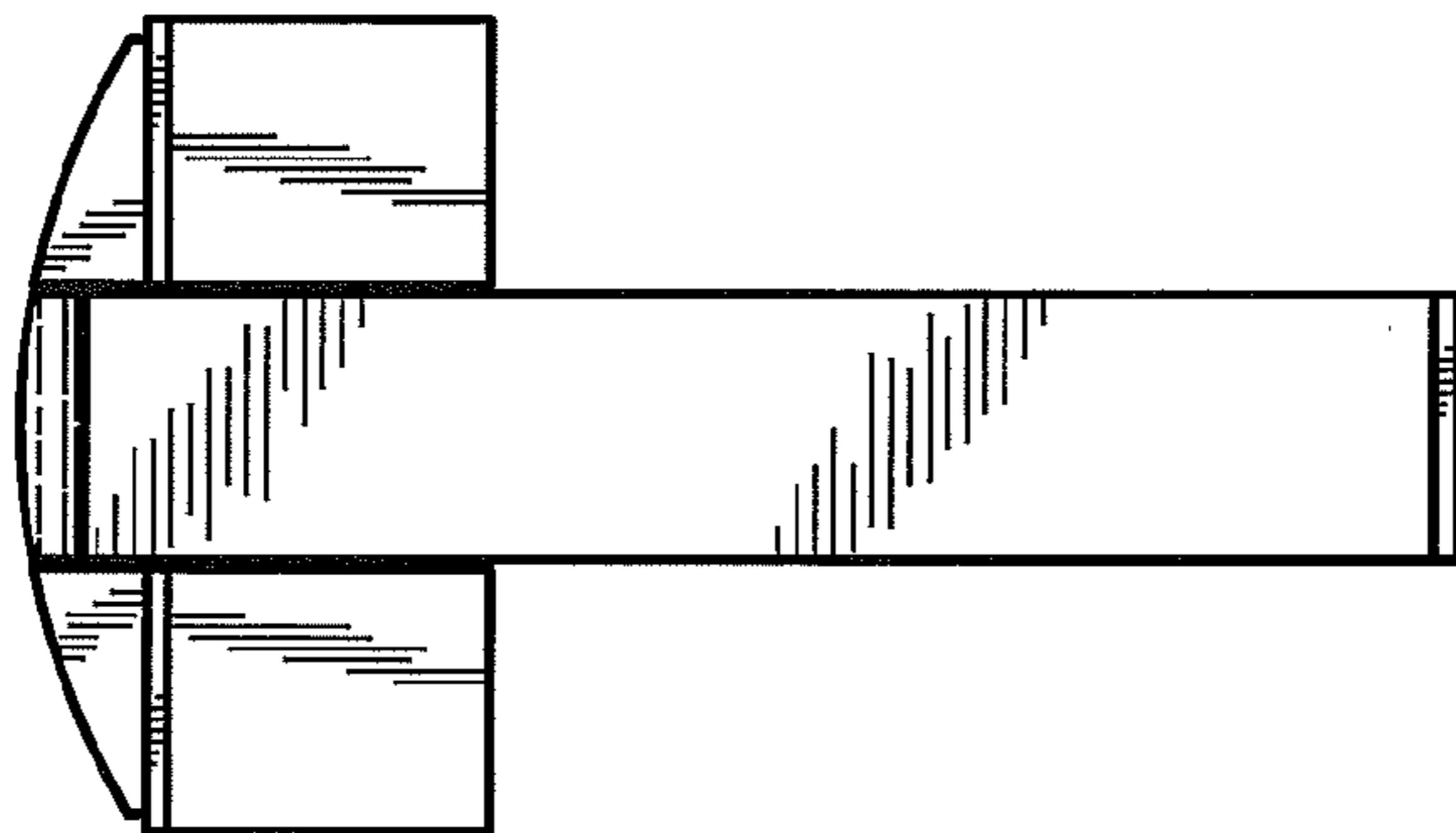
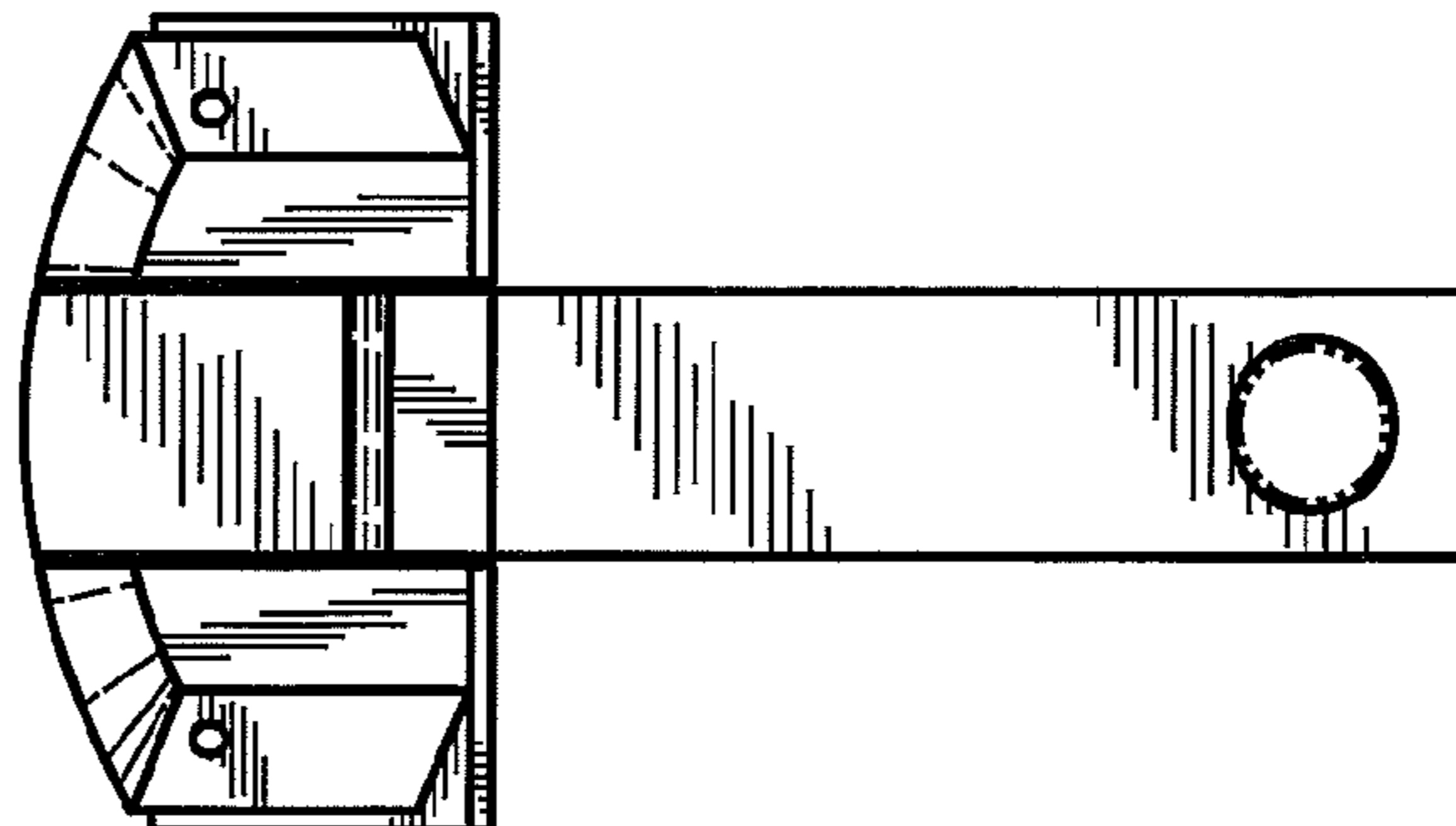


Fig. 8



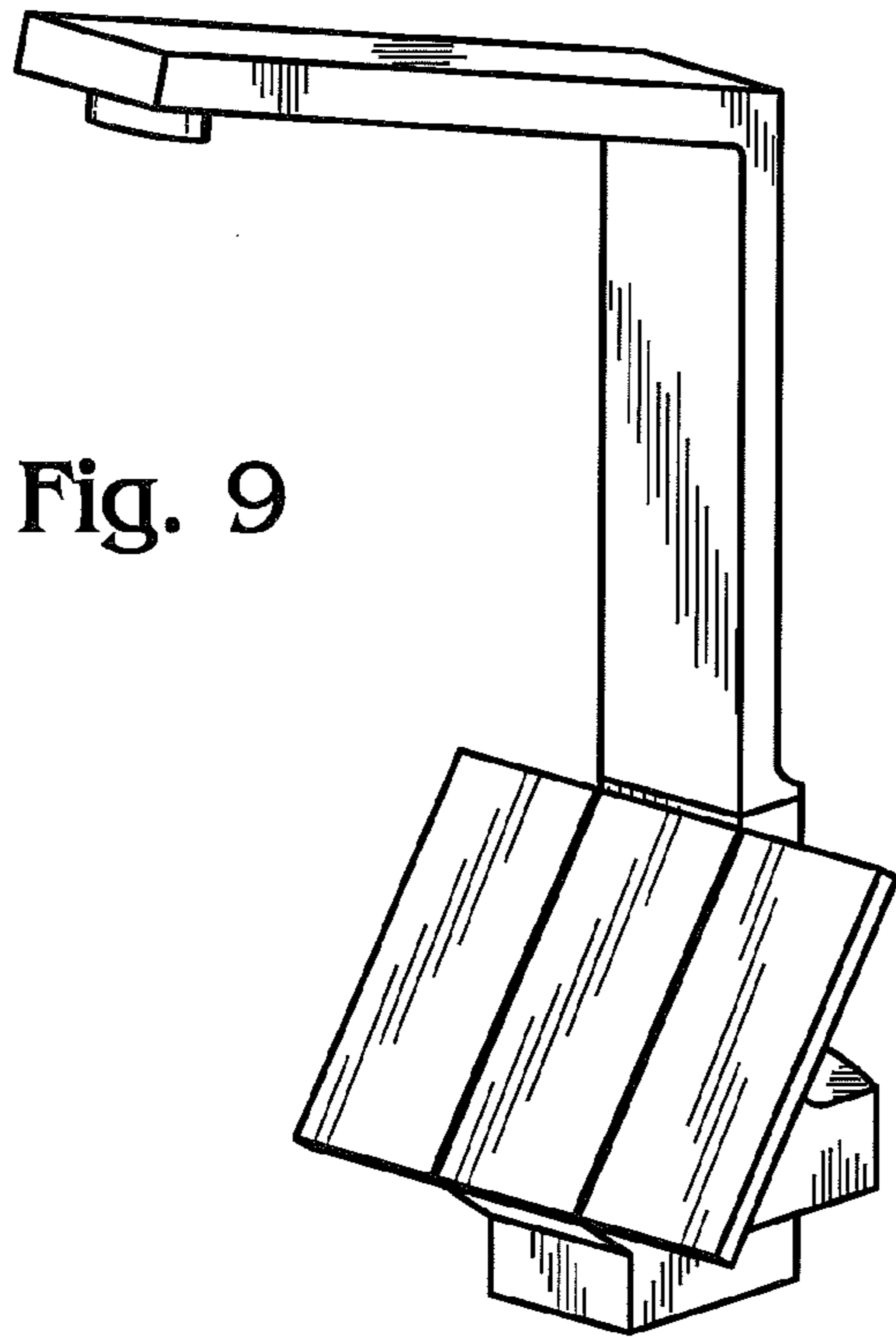


Fig. 9

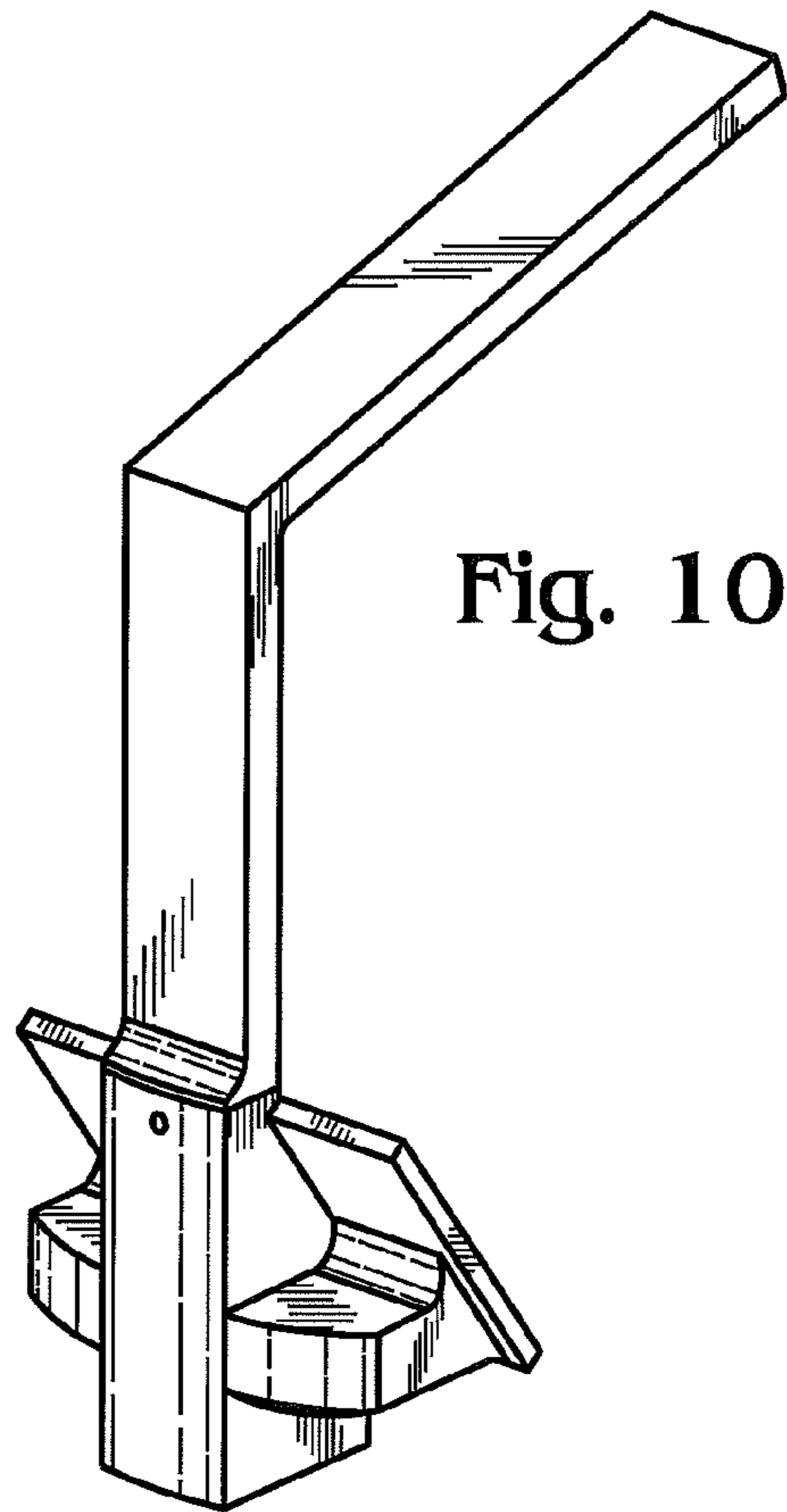


Fig. 10

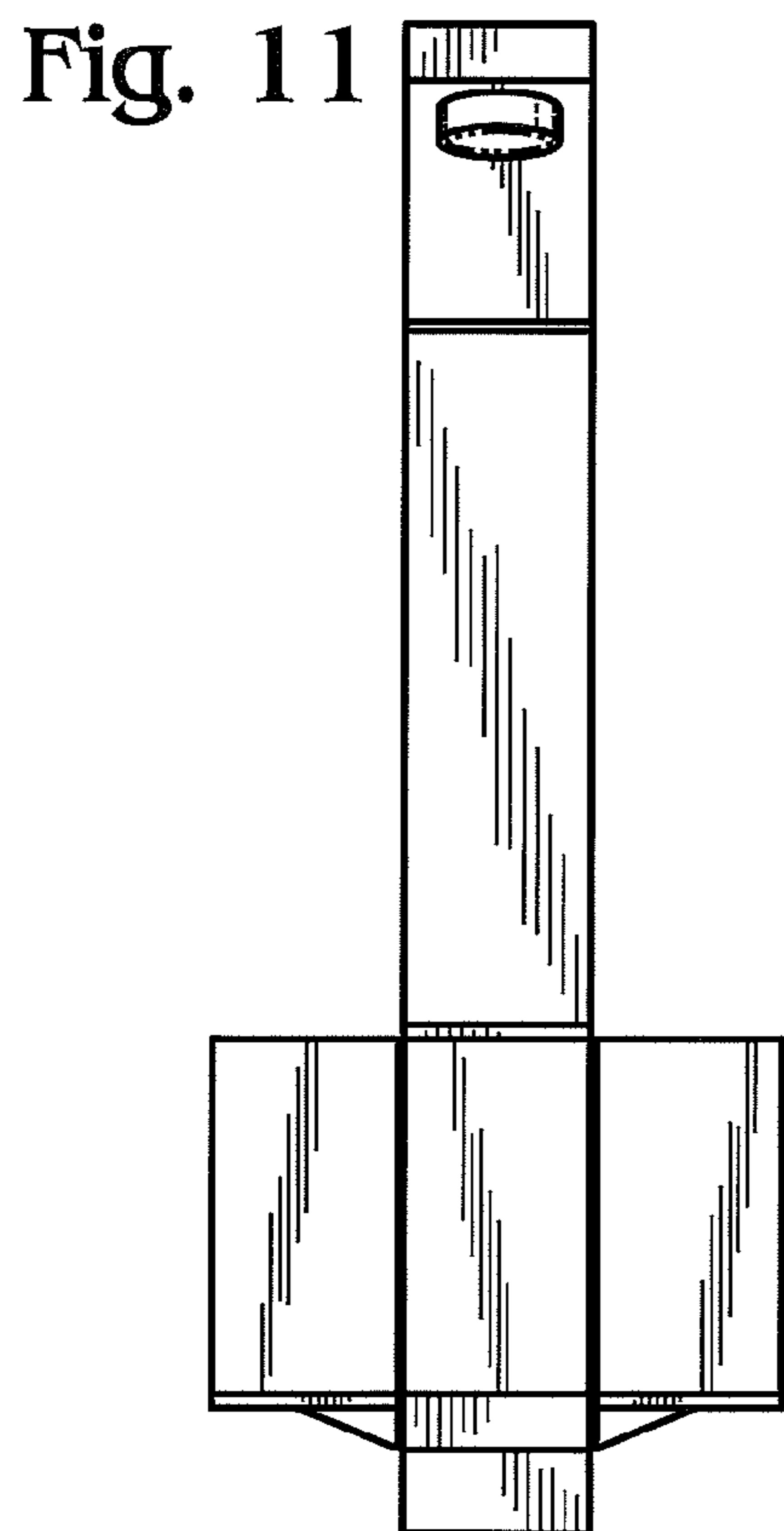


Fig. 11

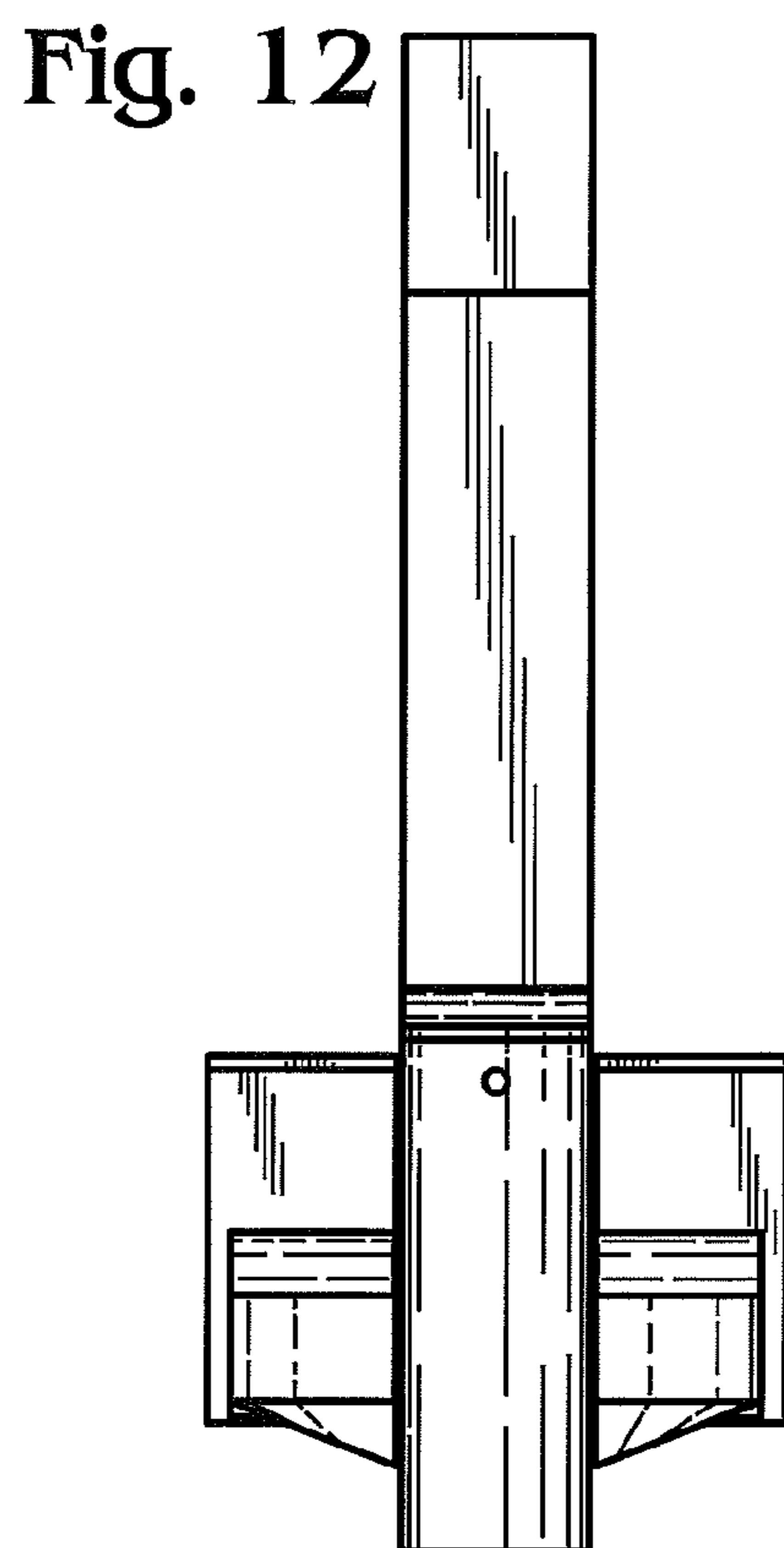


Fig. 12

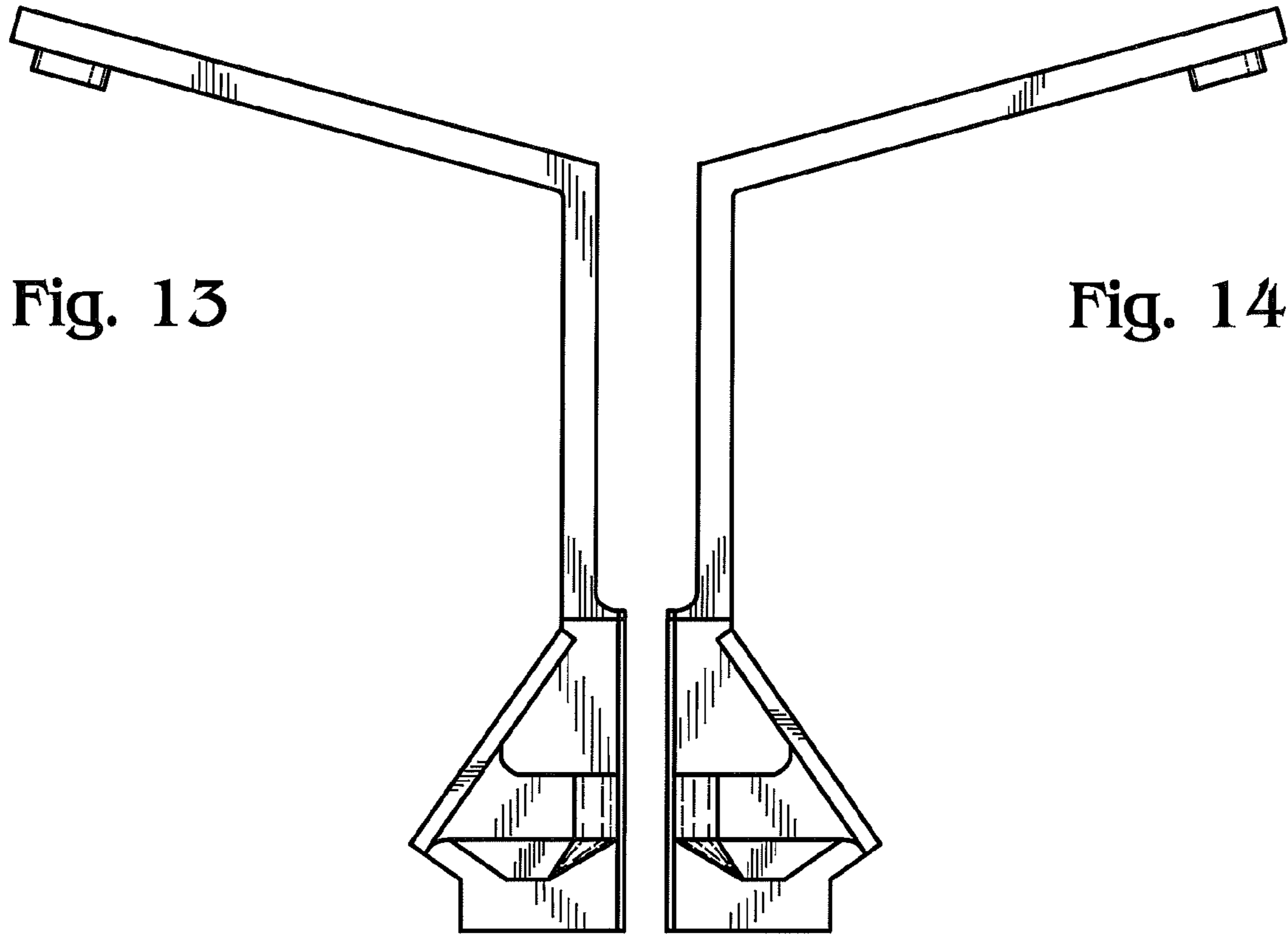


Fig. 15

