



US00D633598S

(12) **United States Design Patent**  
**Baron et al.**

(10) **Patent No.:** **US D633,598 S**

(45) **Date of Patent:** **\*\* \*Mar. 1, 2011**

(54) **SPRINKLER SPIKE**

(75) Inventors: **Richard J. Baron**, Vail, AZ (US); **David R. Johnson**, Tucson, AZ (US); **James A. Elzey**, Tucson, AZ (US)

(73) Assignee: **Rain Bird Corporation**, Azusa, CA (US)

(\*\*) Term: **14 Years**

(21) Appl. No.: **29/356,366**

(22) Filed: **Feb. 24, 2010**

(51) **LOC (9) Cl.** ..... **23-01**

(52) **U.S. Cl.** ..... **D23/217**

(58) **Field of Classification Search** ..... D23/213,  
D23/214, 217, 221; 239/275, 276

See application file for complete search history.

(56) **References Cited**

**U.S. PATENT DOCUMENTS**

1,031,176	A	7/1912	Gilpin	
1,168,219	A	1/1916	Miller	
1,549,194	A	8/1925	Gensmer	
3,387,785	A	6/1968	Jaggers	
D242,144	S	11/1976	Traina	
4,365,750	A	12/1982	Carlberg	
D284,785	S	7/1986	Lemkin et al.	
5,158,231	A	10/1992	Christen et al.	
5,211,338	A	5/1993	Leite et al.	
D375,663	S	11/1996	Arnold	
5,687,909	A	11/1997	Dean	
D438,284	S *	2/2001	King et al.	..... D23/221
D439,632	S	3/2001	King et al.	
D440,280	S	4/2001	King et al.	
D444,206	S	6/2001	King et al.	
6,439,478	B1	8/2002	King et al.	
D481,444	S *	10/2003	Guo	..... D23/221

6,682,106	B2	1/2004	Parker	
6,758,410	B2	7/2004	Kuo	
D497,973	S *	11/2004	Schapper	..... D23/221
D523,523	S *	6/2006	Burnworth et al.	..... D23/221
D527,441	S	8/2006	La Mesa et al.	
7,097,117	B2	8/2006	Zur et al.	
7,303,148	B2	12/2007	Campbell et al.	
7,469,865	B2	12/2008	Mayorga	
D602,119	S	10/2009	Terribile	
2004/0149835	A1	8/2004	Zur et al.	
2006/0255177	A1	11/2006	Heatwole et al.	
2007/0051829	A1	3/2007	Griffin	
2007/0205304	A1	9/2007	Griffin	
2008/0121309	A1	5/2008	Boise et al.	

\* cited by examiner

*Primary Examiner*—Robin V Webster

(74) *Attorney, Agent, or Firm*—Fitch, Even, Tabin & Flannery

(57) **CLAIM**

We claim the ornamental design for a sprinkler spike, as shown and described.

**DESCRIPTION**

FIG. 1 is a perspective view of a spike;  
FIG. 2 is a front elevational view of the spike of FIG. 1;  
FIG. 3 is a right side elevational view of the spike of FIG. 1;  
FIG. 4 is a left side elevational view of the spike of FIG. 1;  
FIG. 5 is a rear elevational view of the spike of FIG. 1;  
FIG. 6 is a top view of the spike of FIG. 5; and,  
FIG. 7 is a bottom view of the spike of FIG. 1.

The broken lines in the foregoing drawings are for the purpose of illustration and form no part of the claimed design.

**1 Claim, 5 Drawing Sheets**

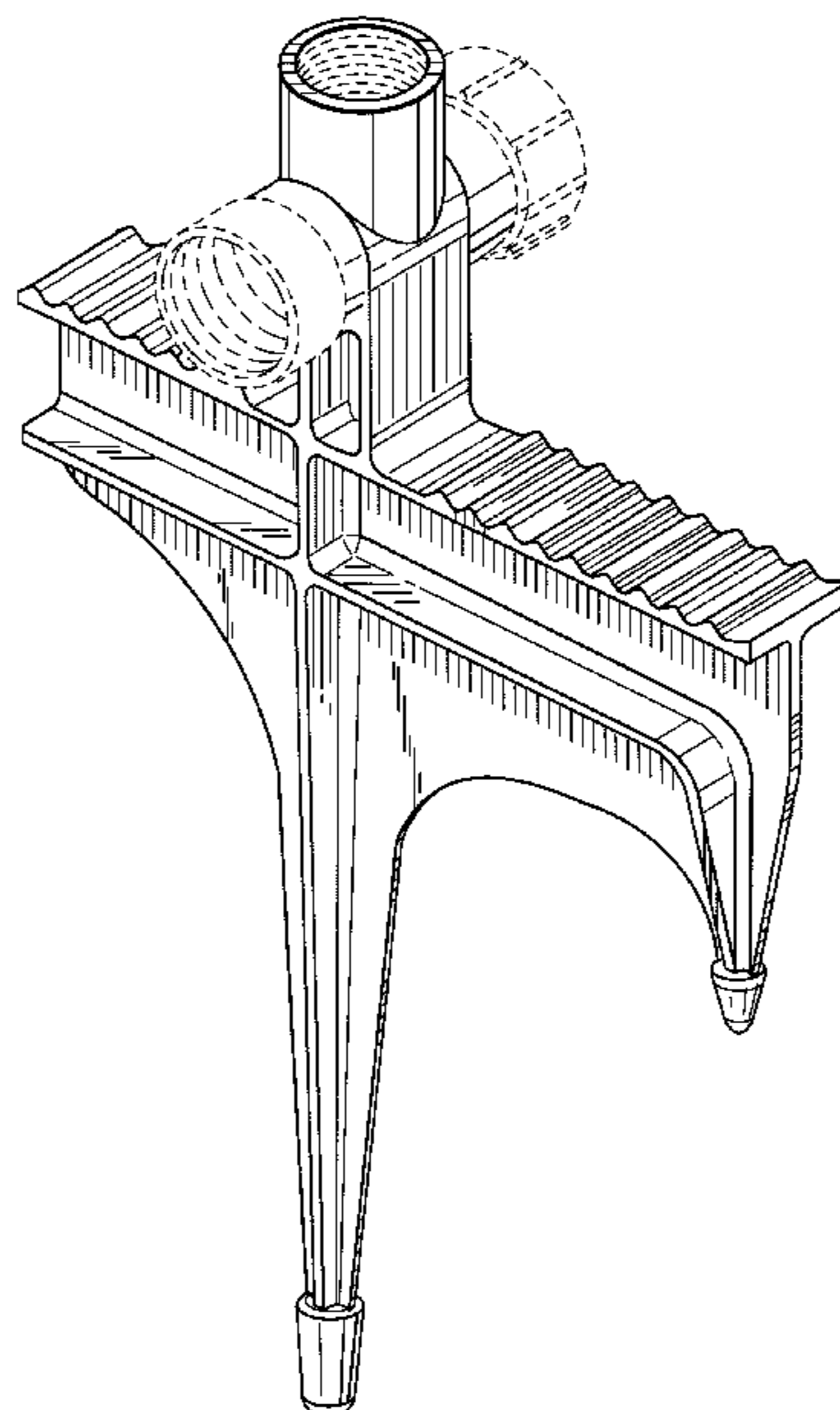


FIG. 1

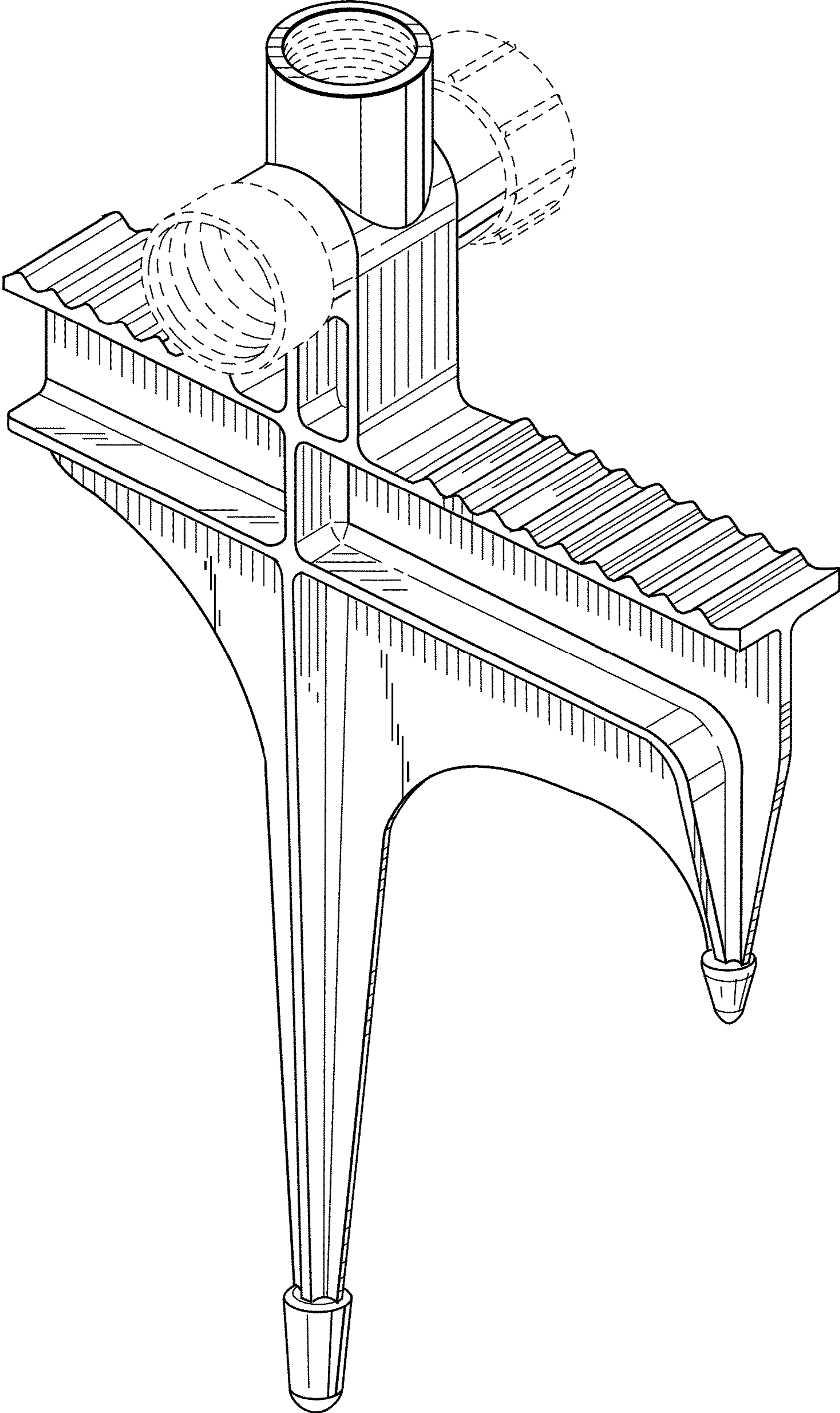


FIG. 2

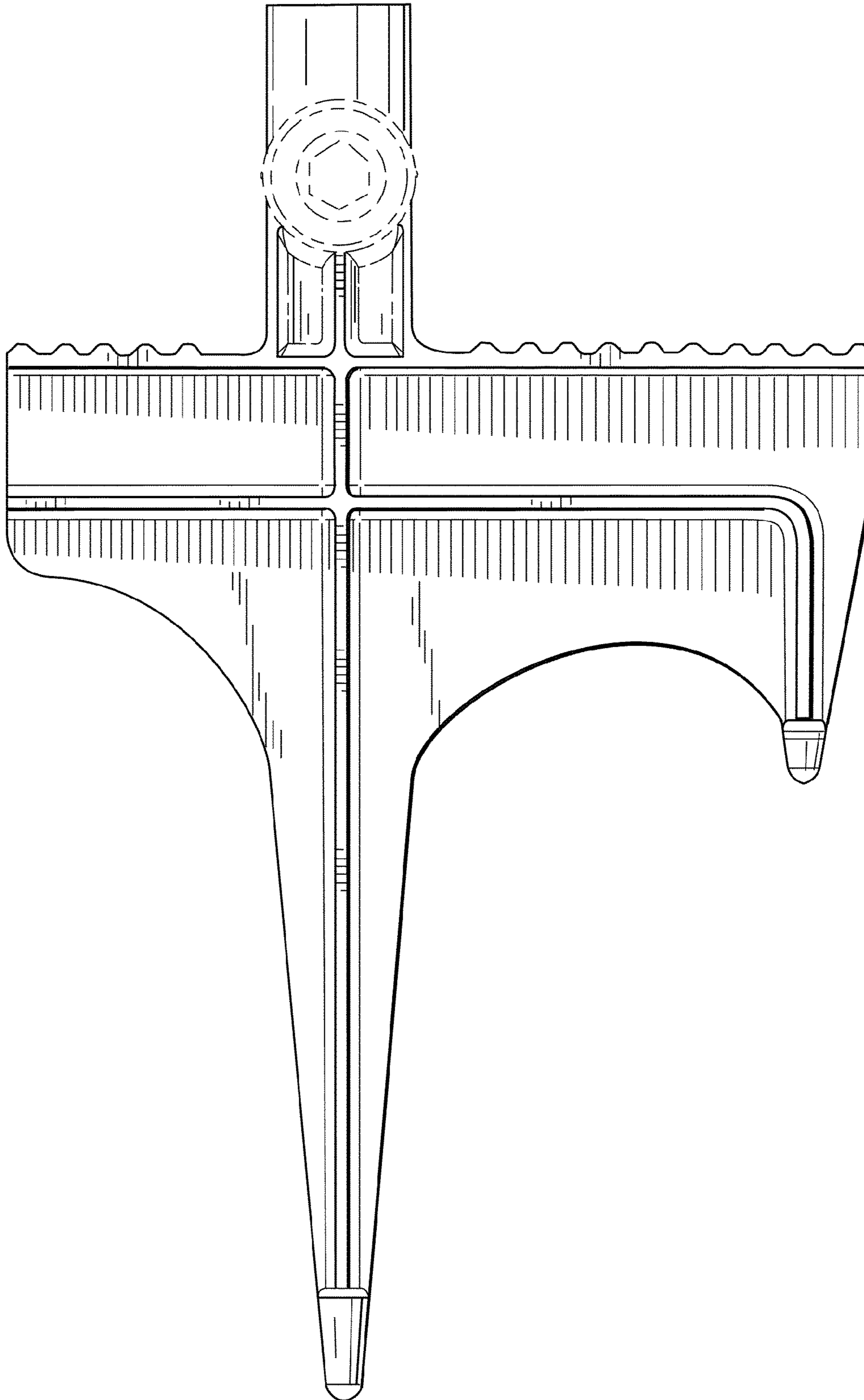




FIG. 3

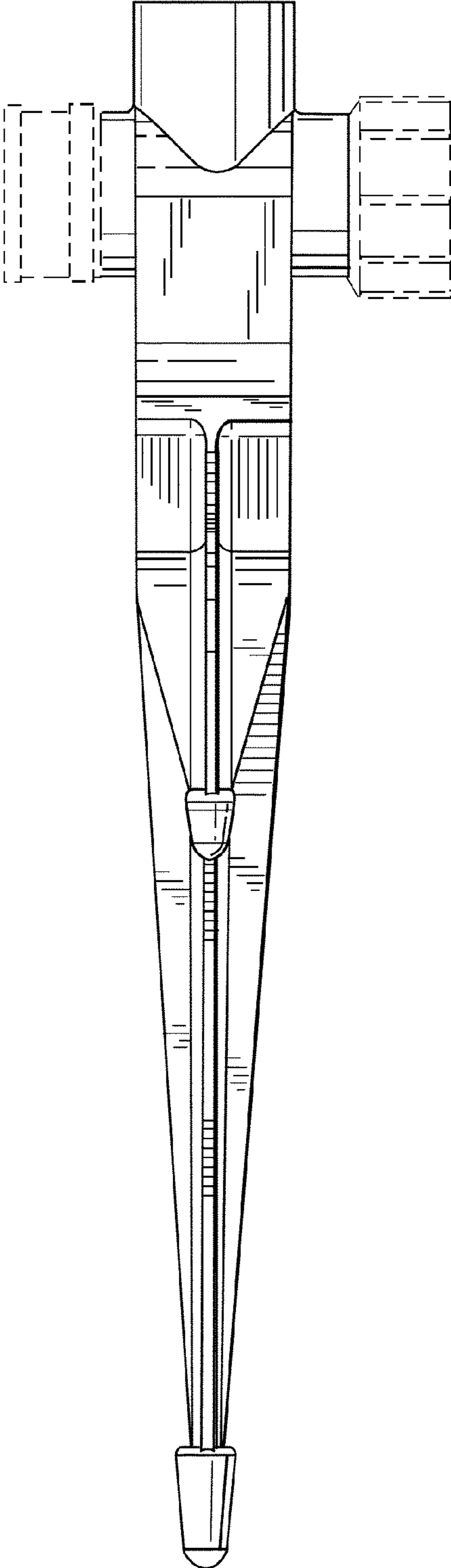


FIG. 4

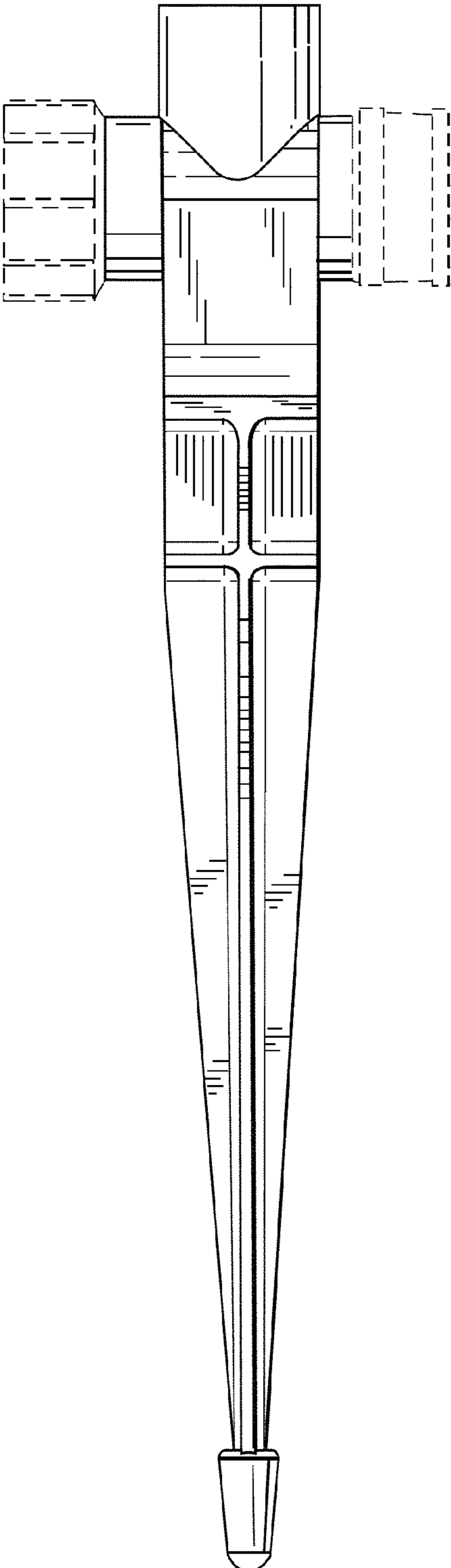


FIG. 5

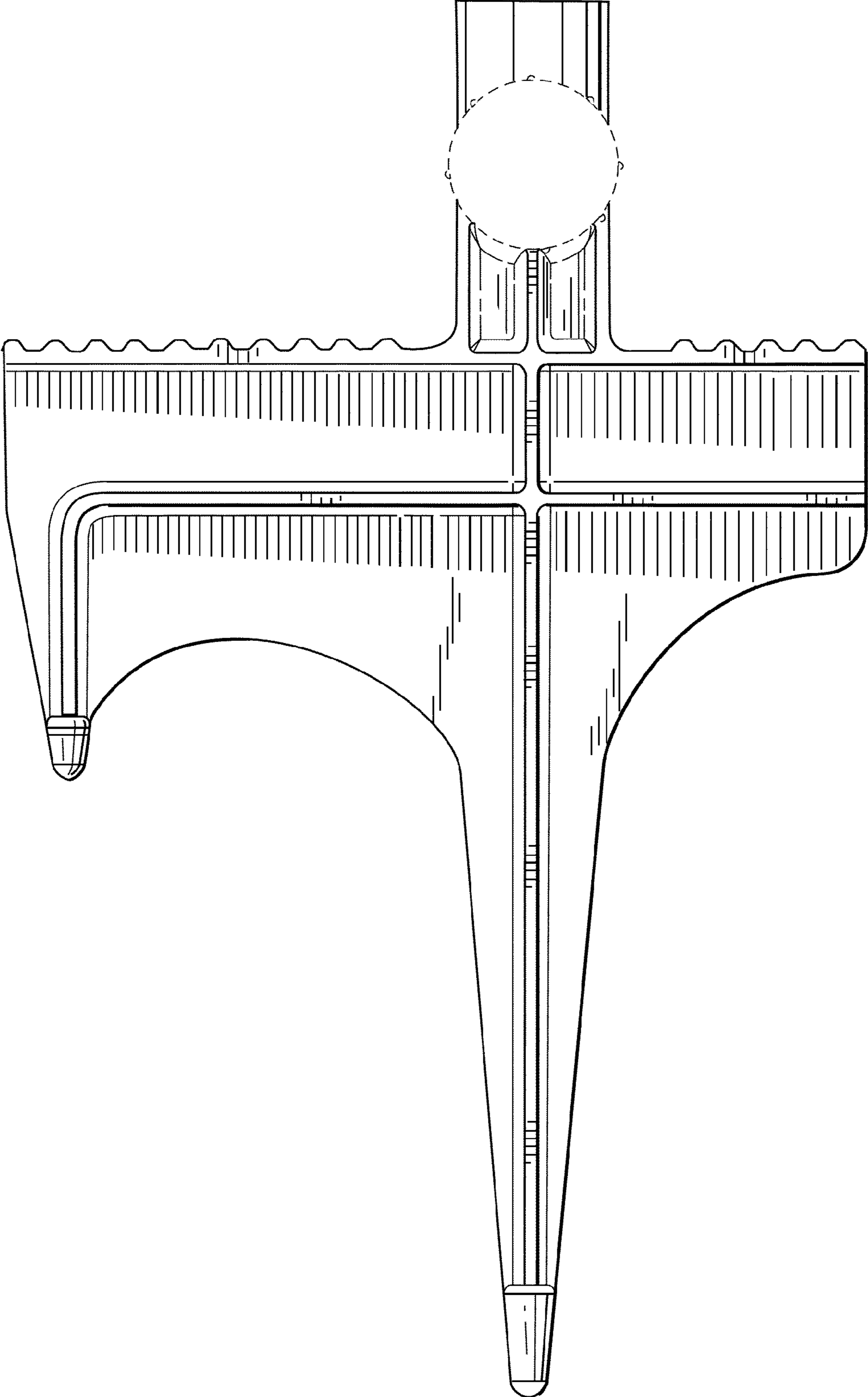


FIG. 6

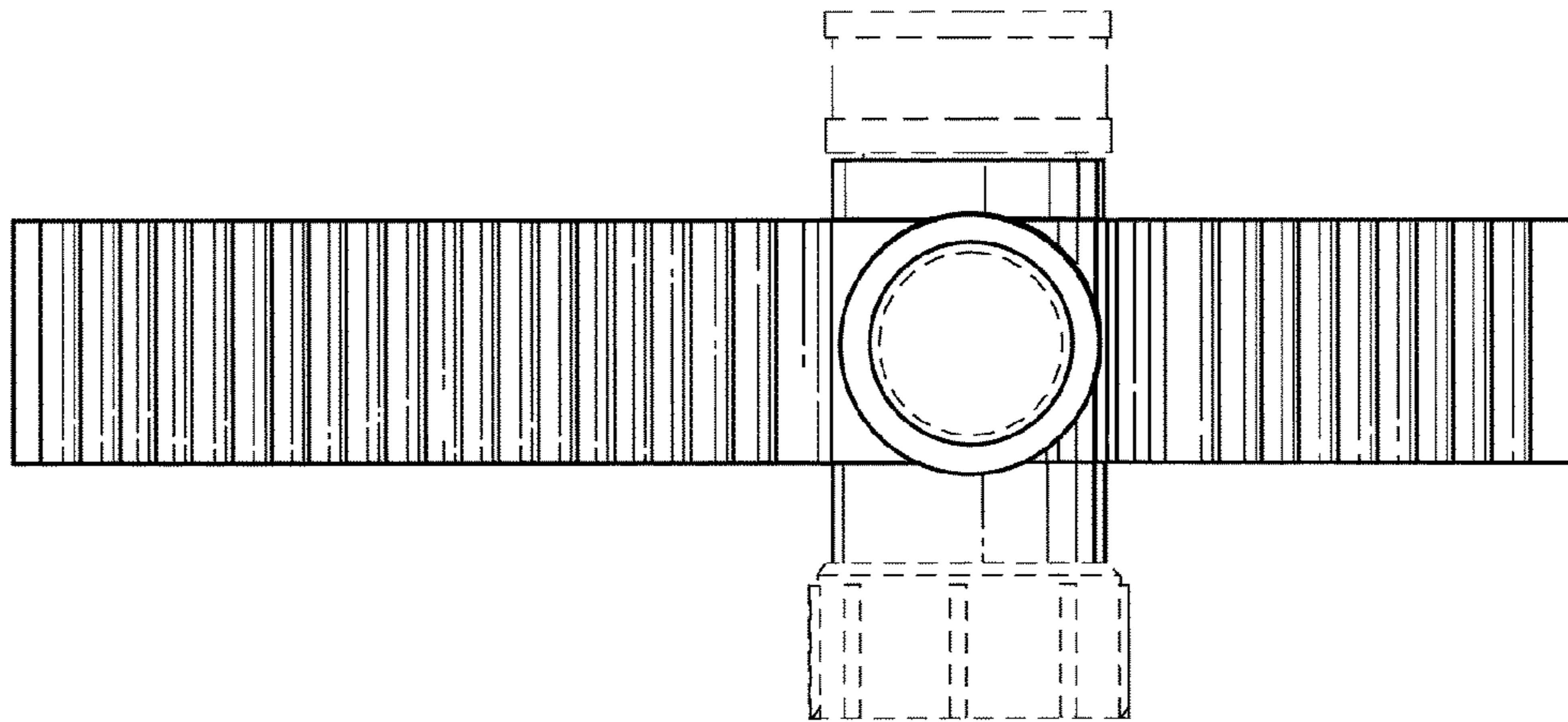


FIG. 7

