



US00D633597S

(12) **United States Design Patent**
Citterio

(10) **Patent No.:** **US D633,597 S**
(45) **Date of Patent:** **** Mar. 1, 2011**

(54) **SHOWERHEAD**

D612,009 S * 3/2010 Eilmus D23/213

(75) Inventor: **Antonio Citterio**, Milan (IT)

* cited by examiner

(73) Assignee: **Hansgrohe AG**, Schiltach (DE)

Primary Examiner—Robin V Webster
(74) *Attorney, Agent, or Firm*—Nirav D. Parikh; Lora J. Graentzdoerffer; Edgar A. Zarins

(**) Term: **14 Years**

(21) Appl. No.: **29/367,378**

(57) **CLAIM**

(22) Filed: **Aug. 6, 2010**

The ornamental design for a showerhead, as shown and described.

(30) **Foreign Application Priority Data**

Feb. 16, 2010 (EM) 001195994-0002

DESCRIPTION

(51) **LOC (9) Cl.** **23-01**

FIG. 1 is a perspective view of a showerhead showing my design;

(52) **U.S. Cl.** **D23/213; D23/229**

FIG. 2 is a front elevational view thereof;

(58) **Field of Classification Search** D23/213,

FIG. 3 is a rear elevational view thereof;

D23/223, 229, 230; 4/615; 239/282–283

FIG. 4 is a left side elevational view thereof;

See application file for complete search history.

FIG. 5 is a right side elevational view thereof;

(56) **References Cited**

FIG. 6 is a top plan view thereof; and,

U.S. PATENT DOCUMENTS

FIG. 7 is a bottom plan view thereof.

D562,944 S * 2/2008 Pan D23/229

The broken lines in the drawings represent unclaimed portions of the design and form no part of the claimed design.

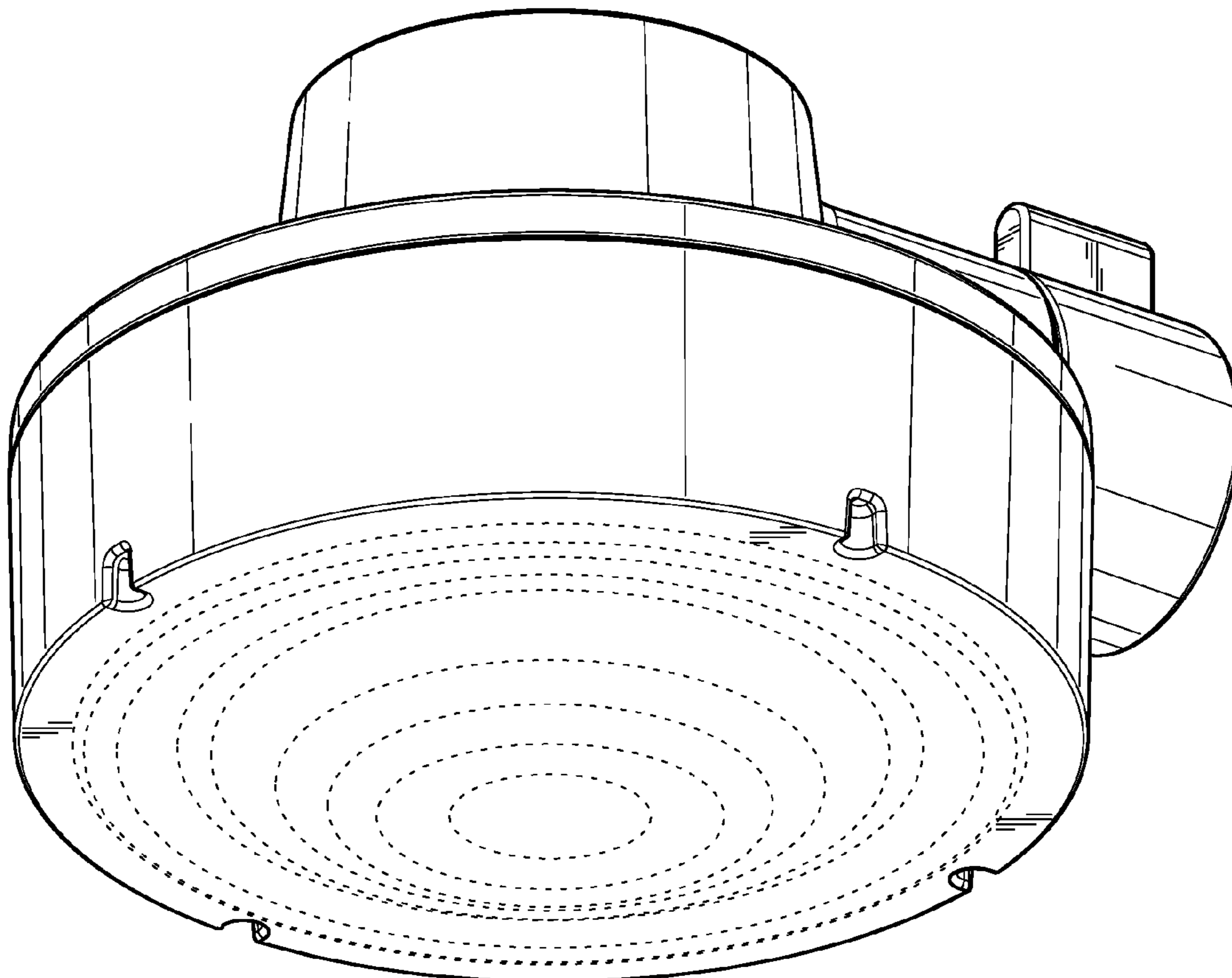
D567,906 S * 4/2008 Huang D23/229

D577,101 S * 9/2008 Kong et al. D23/213

D577,417 S * 9/2008 Olsson D23/223

D581,013 S * 11/2008 Citterio D23/213

1 Claim, 7 Drawing Sheets



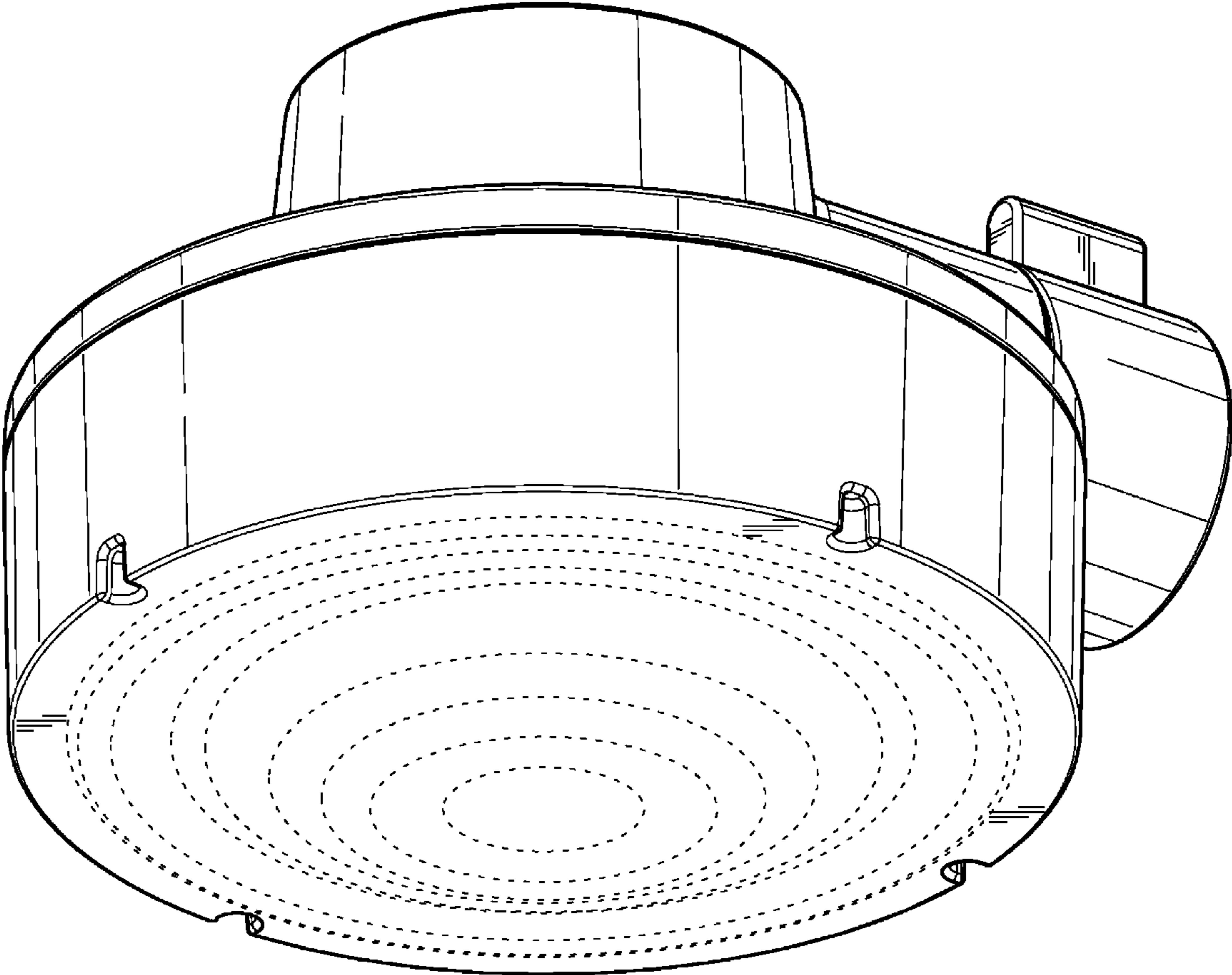


FIG. 1

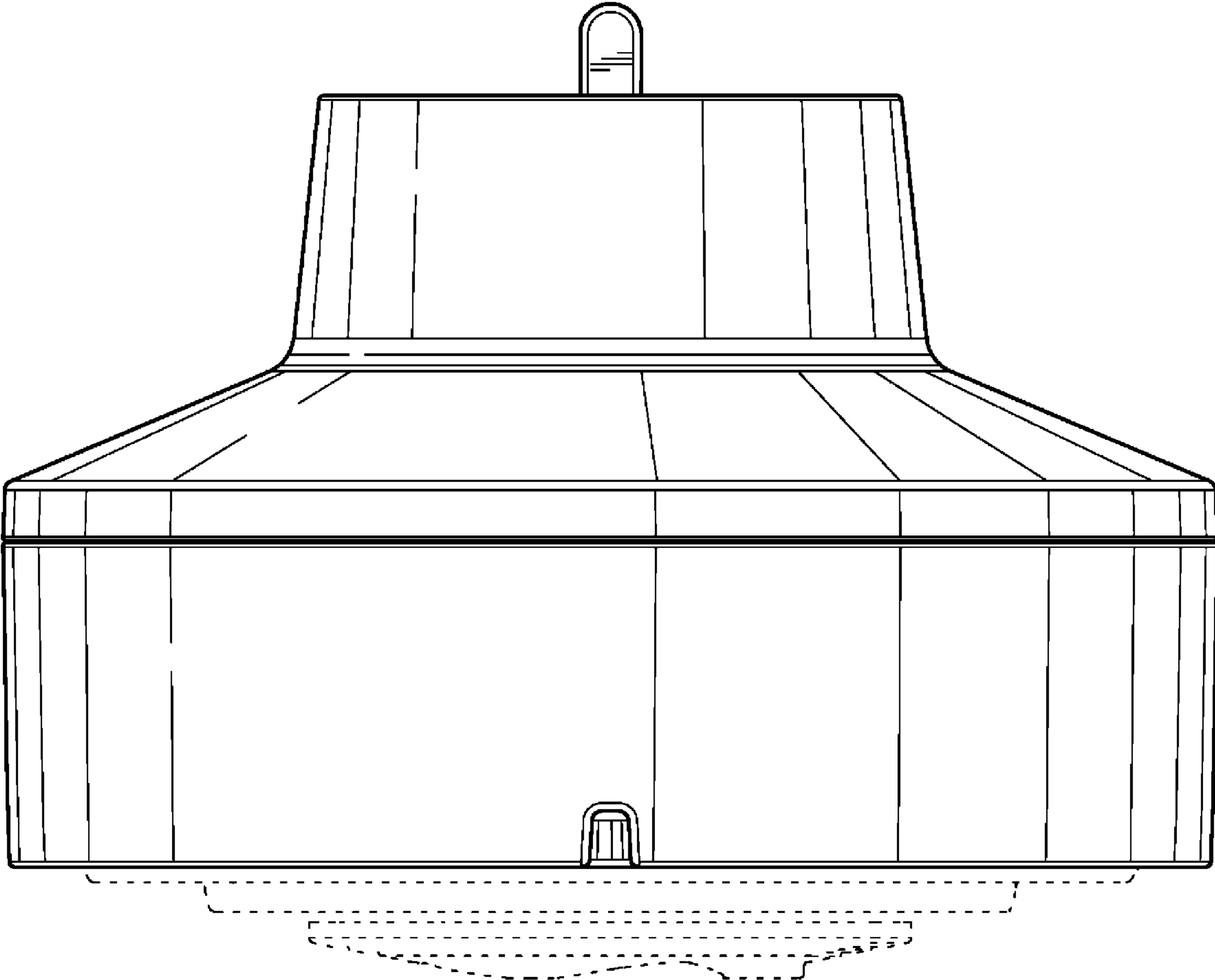


FIG. 2

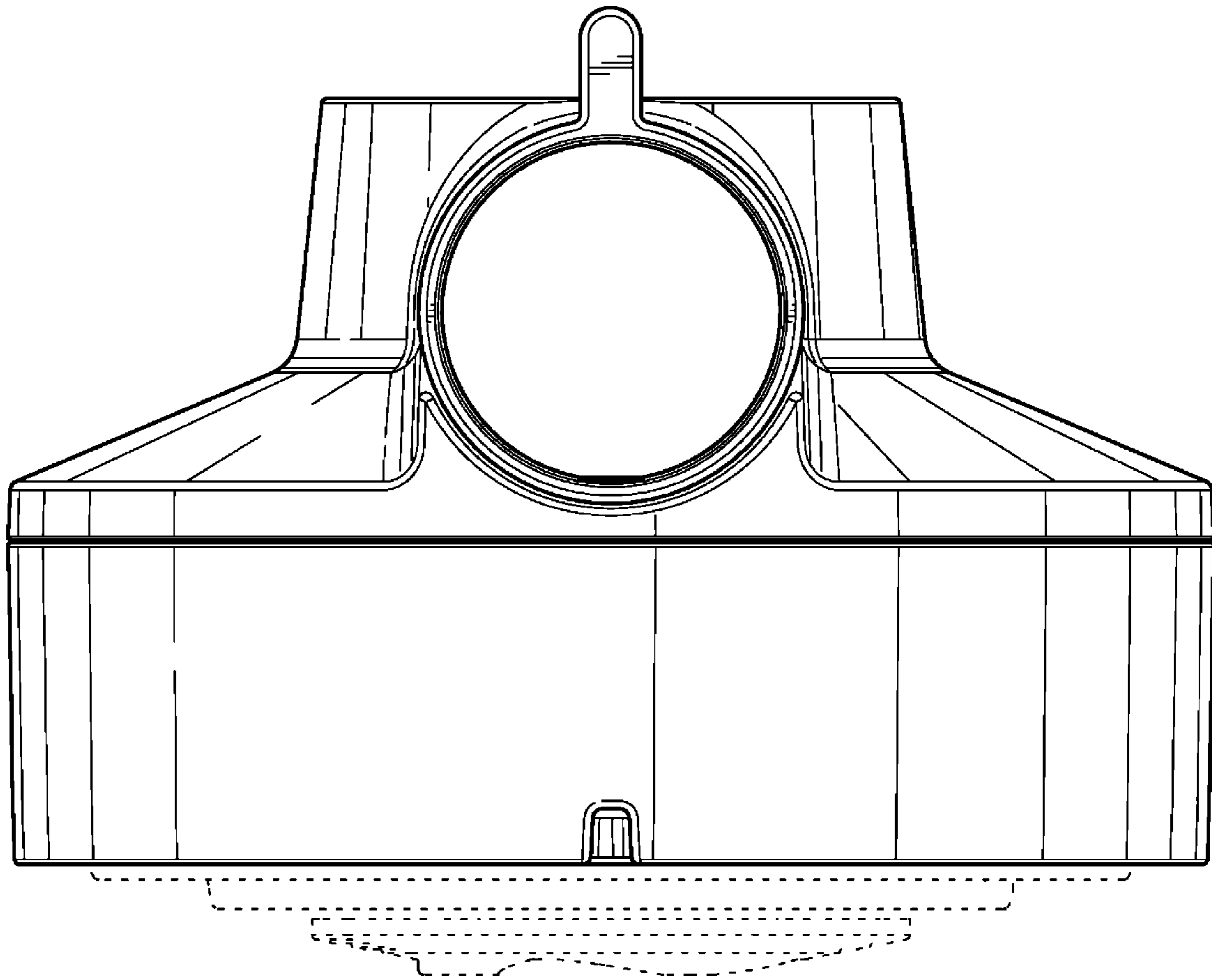


FIG. 3

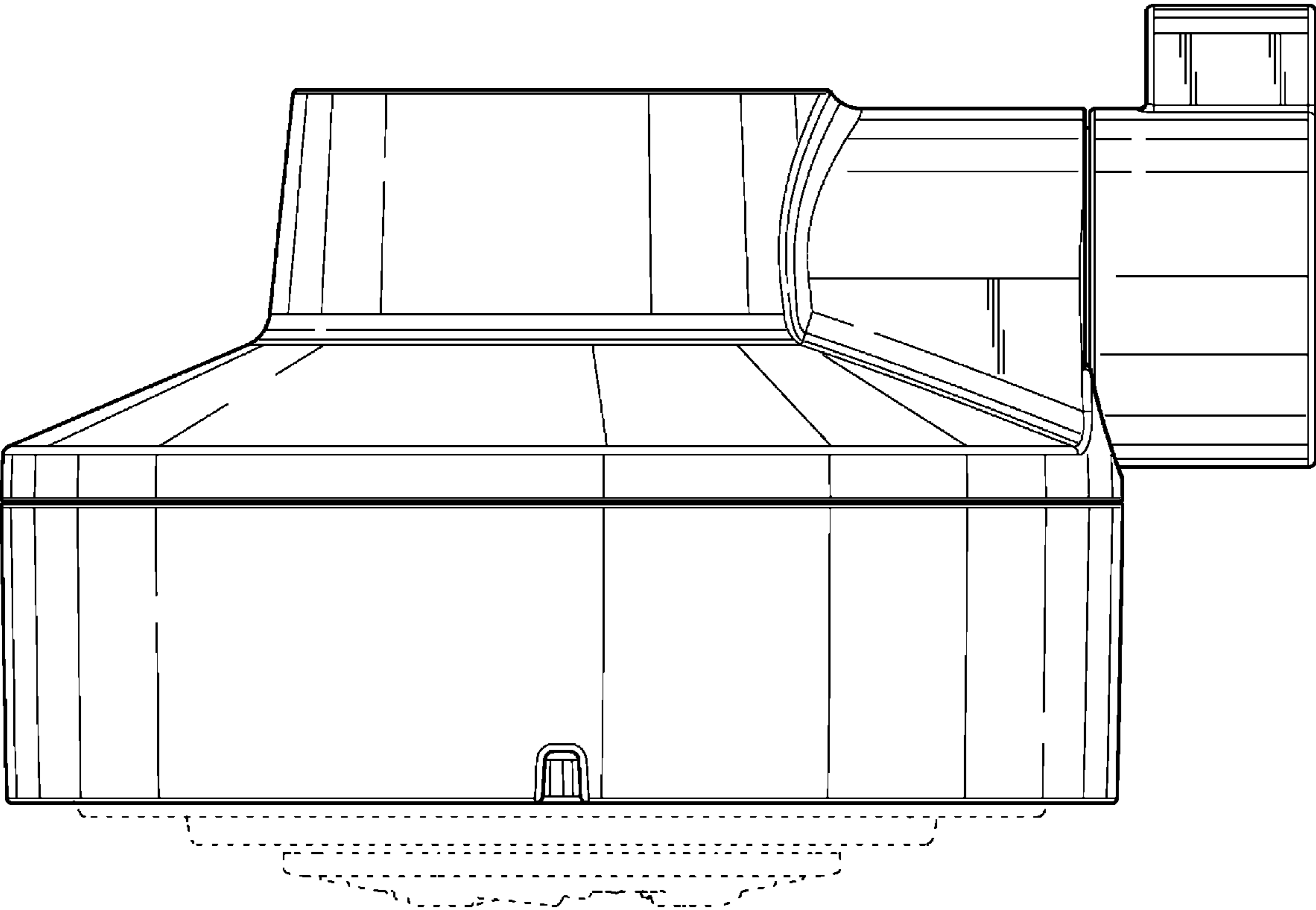


FIG. 4

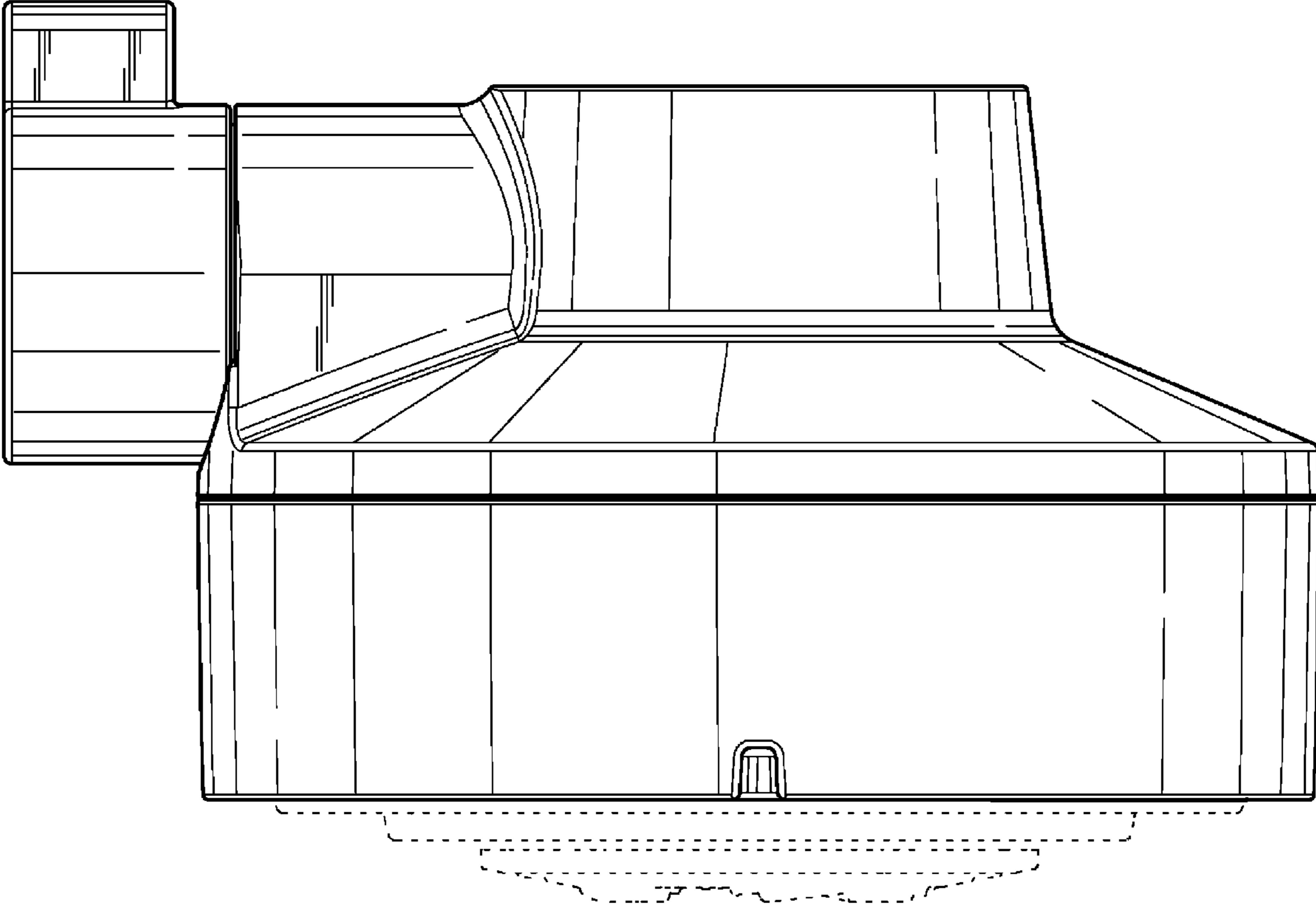


FIG. 5

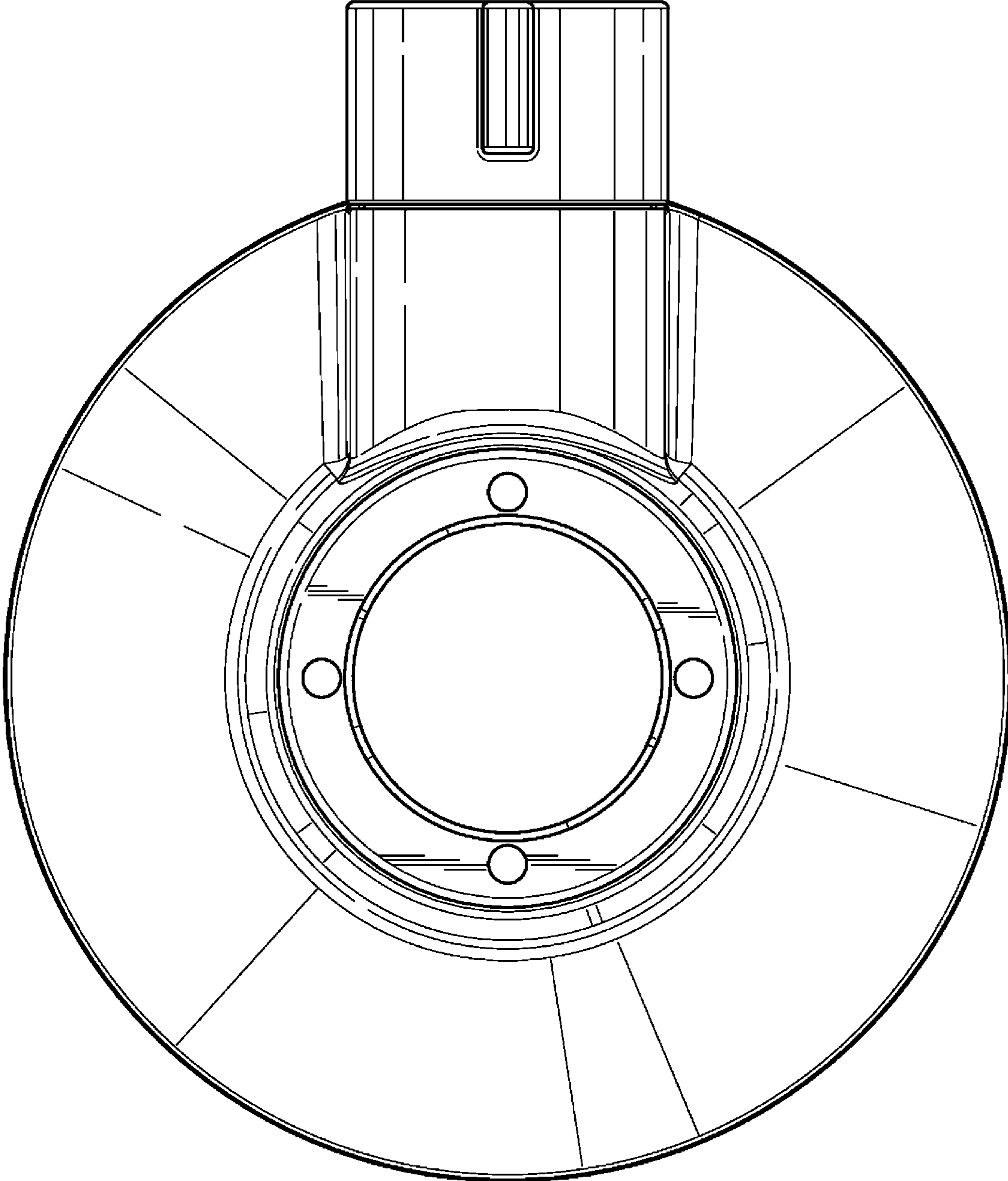


FIG. 6

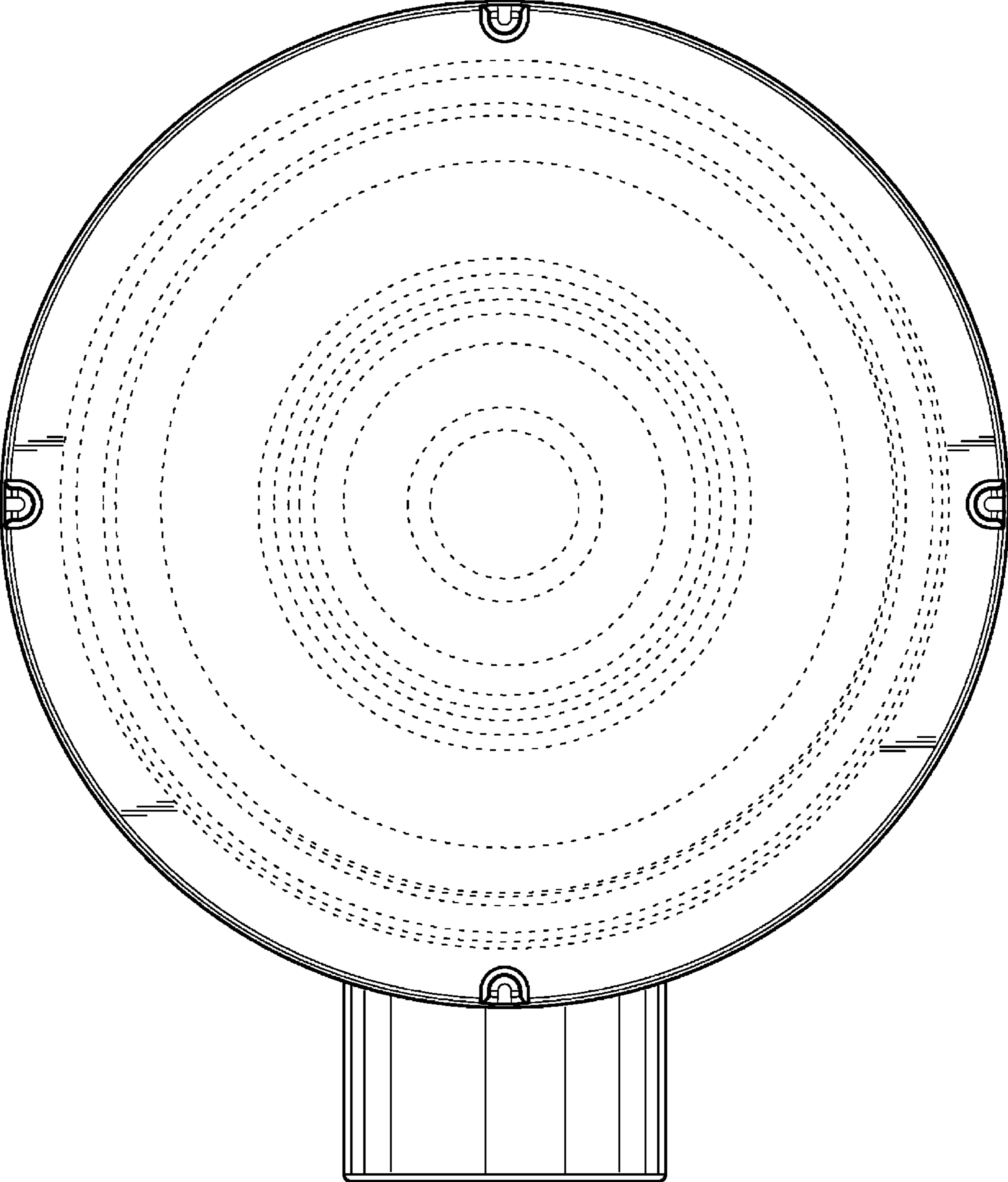


FIG. 7