



US00D633596S

(12) **United States Design Patent**
Fontaine

(10) **Patent No.:** **US D633,596 S**
(45) **Date of Patent:** **** Mar. 1, 2011**

(54) **PUMP ASSEMBLY FOR SPRAYER
REMOVABLY ATTACHABLE TO A TANK
OUTSIDE THE TANK**

7,025,878 B2 4/2006 Spriegel
7,207,500 B2 * 4/2007 Hudson et al. 239/332
7,581,662 B2 * 9/2009 Powell 222/401
2008/0011364 A1 1/2008 Fontaine

(75) Inventor: **James R. Fontaine**, Marilla, NY (US)

* cited by examiner

(73) Assignee: **Chapin Manufacturing, Inc.**, Batavia, NY (US)

Primary Examiner—Robin V Webster
(74) *Attorney, Agent, or Firm*—Kenneth J. Lukacher; Martin Lukacher

(**) Term: **14 Years**

(21) Appl. No.: **29/314,798**

(22) Filed: **Apr. 30, 2009**

(51) **LOC (9) Cl.** **23-01**

(52) **U.S. Cl.** **D23/213; D23/225**

(58) **Field of Classification Search** D23/213,
D23/225; 239/333, 373; 222/401, 402, 383.1,
222/321.7

See application file for complete search history.

(56) **References Cited**

U.S. PATENT DOCUMENTS

1,538,021	A *	5/1925	Brandt	222/402
3,709,409	A *	1/1973	Collins	222/402
4,984,742	A *	1/1991	Ellison et al.	239/373
5,072,884	A *	12/1991	Ellison et al.	239/373
5,624,061	A *	4/1997	Gager et al.	222/402
5,649,664	A *	7/1997	Brass et al.	239/373
D391,626	S	3/1998	Spriegel		
6,113,003	A *	9/2000	Condon	239/142
6,695,228	B2	2/2004	Odessa		

(57) **CLAIM**

The ornamental design of a pump assembly for sprayer removably attachable to a tank outside the tank, as shown and described.

DESCRIPTION

FIG. 1 is a front, elevational view of the pump assembly for sprayer removably attachable to a tank outside the tank, showing my design;

FIG. 2 is a right side elevational view thereof;

FIG. 3 is a left side elevational view thereof;

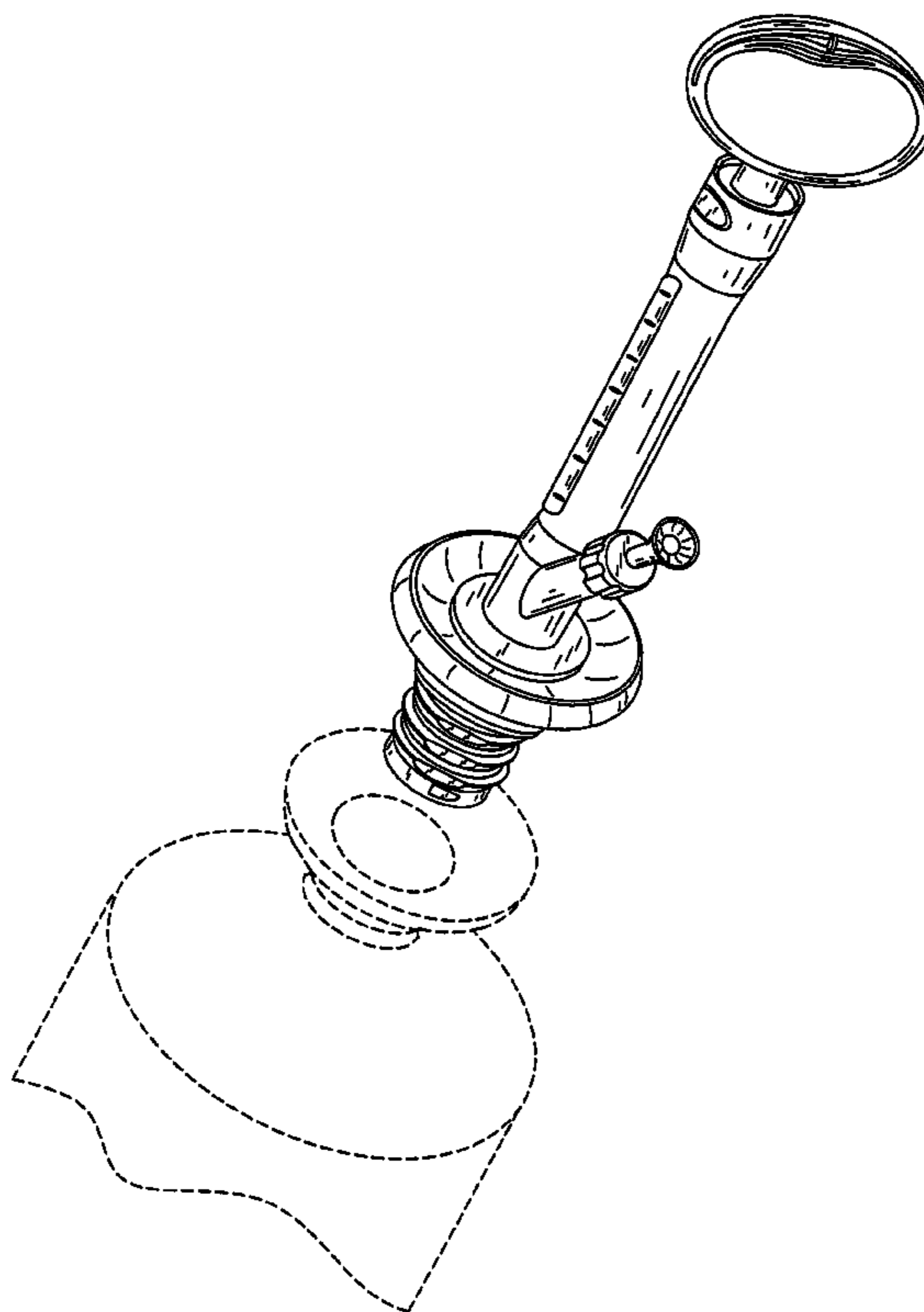
FIG. 4 is a top view thereof;

FIG. 5 is an exploded perspective view looking downwardly from the top thereof; and,

FIG. 6 is an exploded perspective view thereof similar to FIG. 5 but with the pump handle and shaft extended.

The broken line showing of a tank is included for the purpose of illustrating and forms no part of the claimed design.

1 Claim, 6 Drawing Sheets



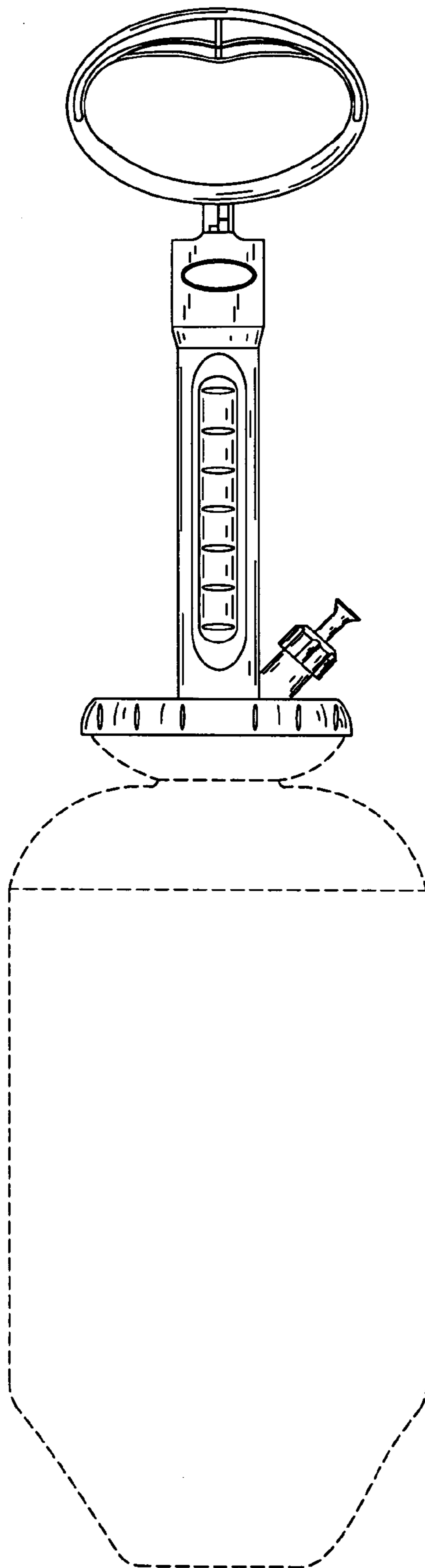


FIG. 1

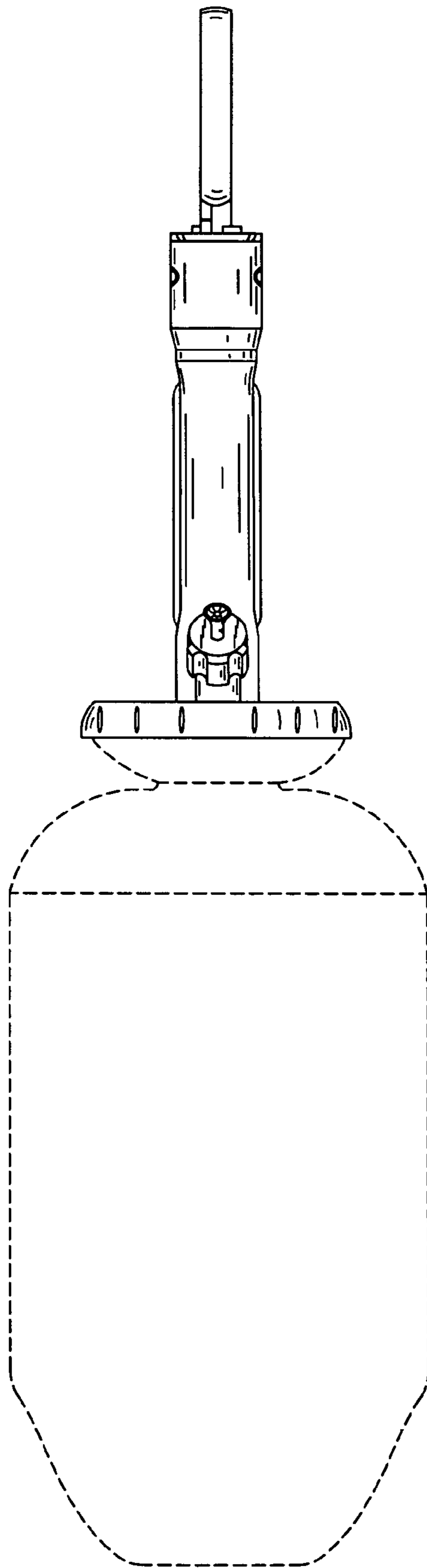


FIG. 2

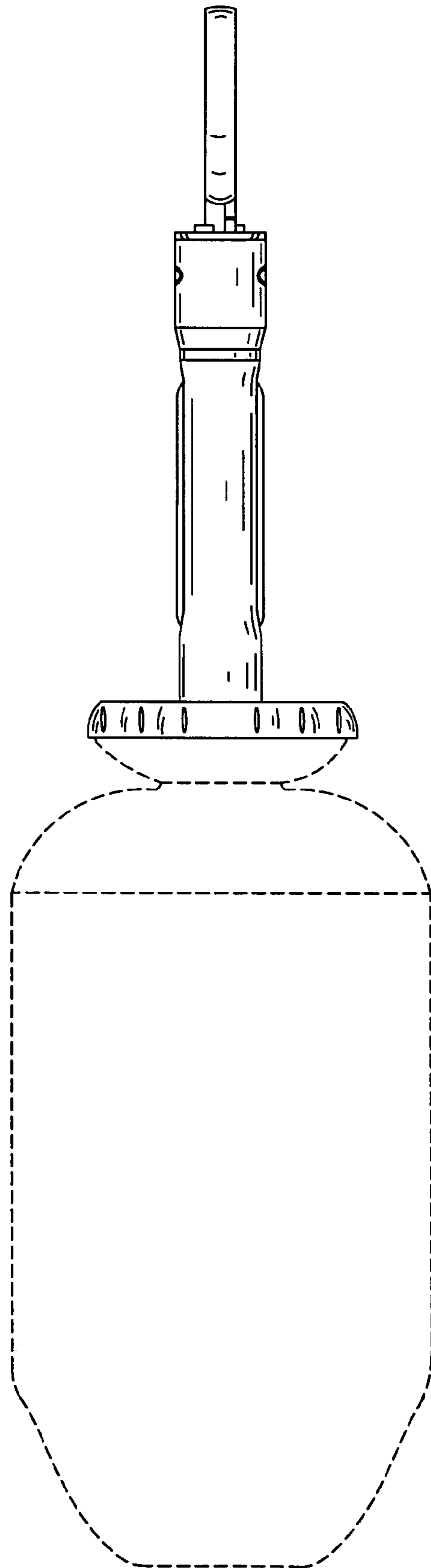


FIG. 3

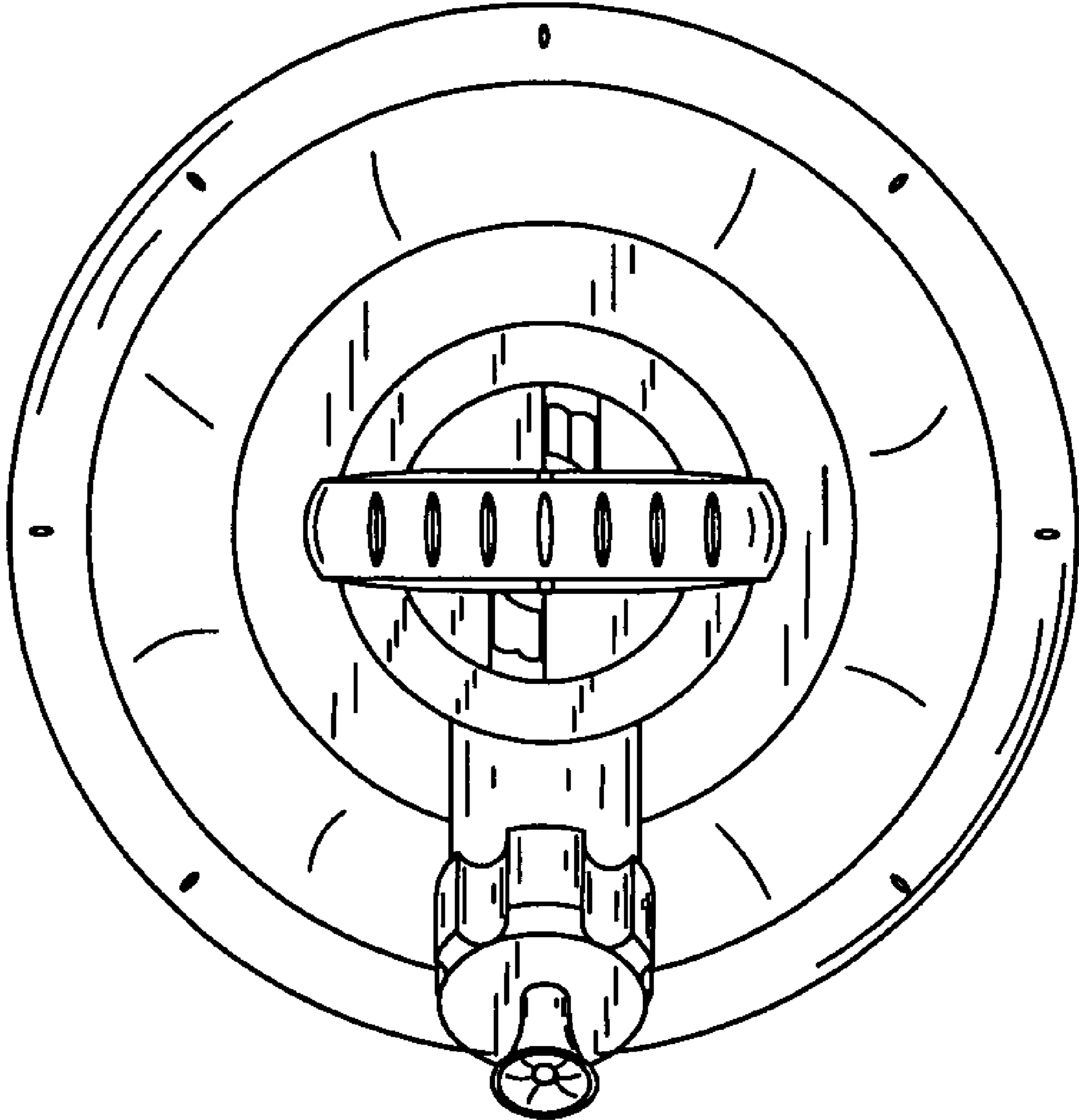


FIG. 4

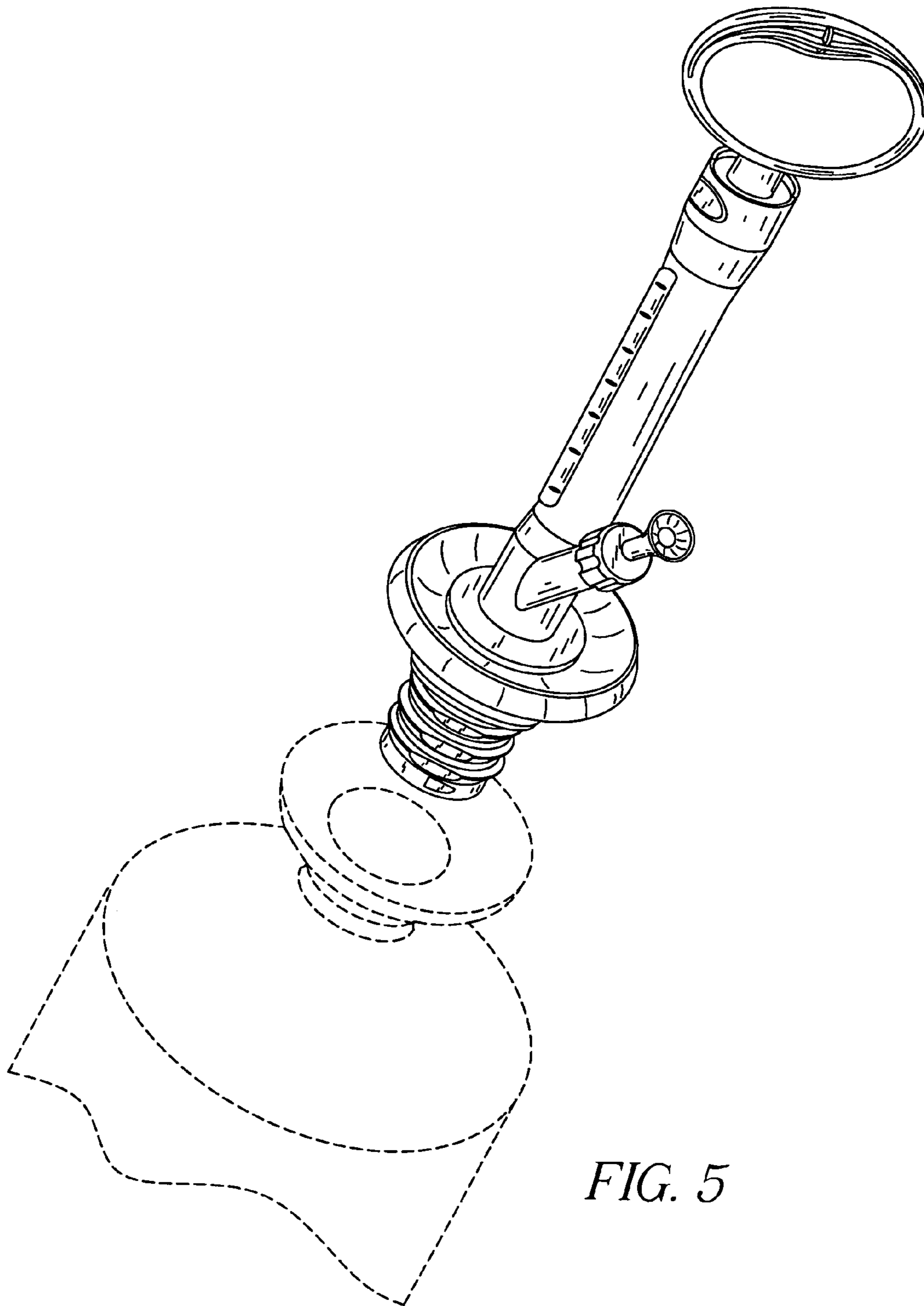


FIG. 5

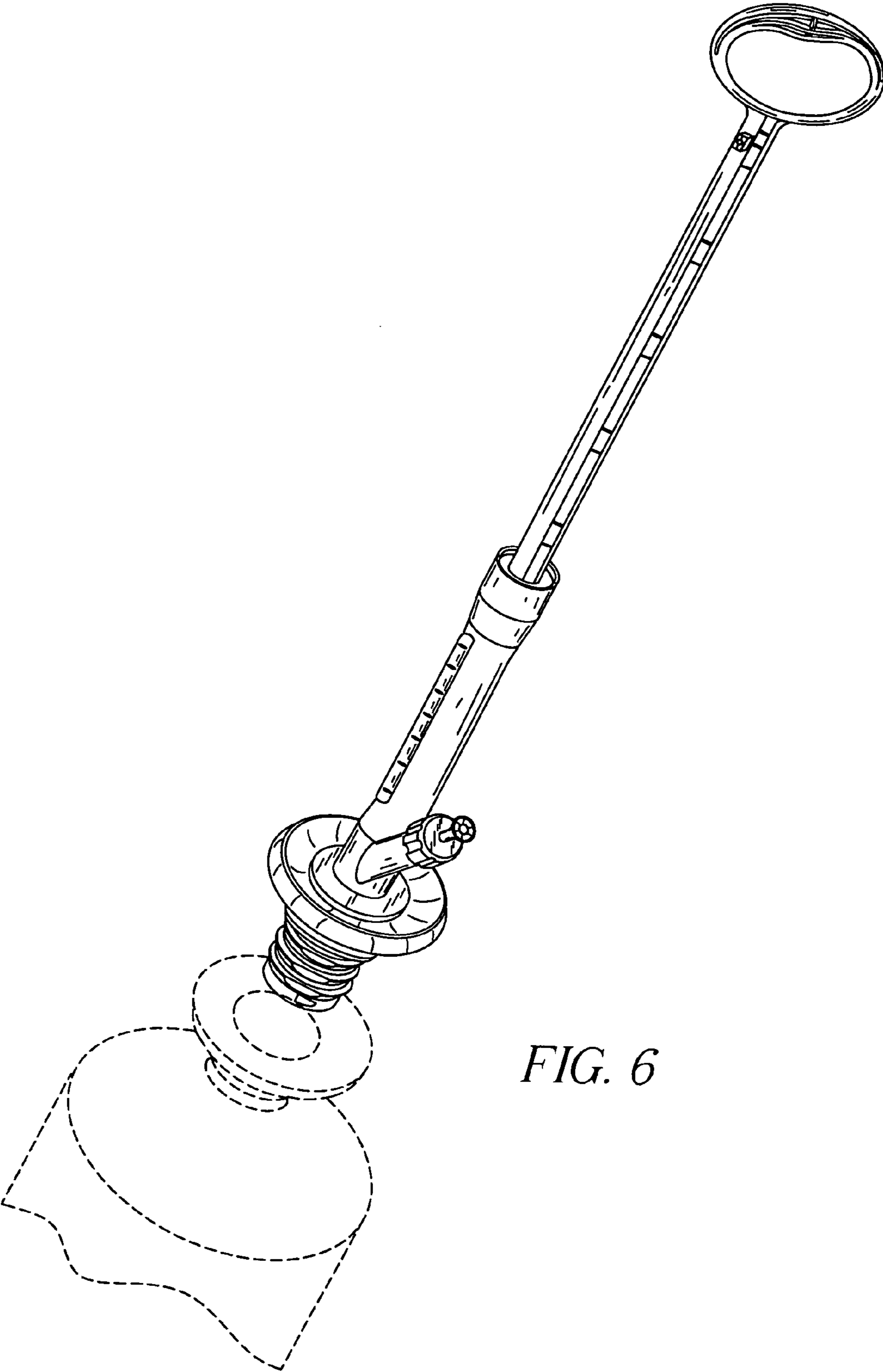


FIG. 6