



US00D633593S

(12) **United States Design Patent**
Omura

(10) **Patent No.:** **US D633,593 S**
(45) **Date of Patent:** **** Mar. 1, 2011**

(54) **REEL SEAT FOR USE ON FISHING ROD**

(75) Inventor: **Kazuhito Omura**, Shizuoka (JP)
(73) Assignee: **Fuji Kogyo Co., Ltd.**, Shizuoka-shi,
Shizuoka-ken (JP)
(**) Term: **14 Years**
(21) Appl. No.: **29/347,976**
(22) Filed: **Aug. 24, 2010**

(30) **Foreign Application Priority Data**
Apr. 16, 2010 (JP) 2010-011328

(51) **LOC (9) Cl.** **22-05**
(52) **U.S. Cl.** **D22/142**
(58) **Field of Classification Search** D22/142,
D22/137-139; 43/18.1, 20-23
See application file for complete search history.

(56) **References Cited**

U.S. PATENT DOCUMENTS

4,802,299 A * 2/1989 Ohmura 43/22
D311,946 S * 11/1990 Ohmura D22/142
D404,110 S * 1/1999 Ohmura D22/142
D492,383 S * 6/2004 Saraya D22/142
D516,163 S * 2/2006 Lin D22/142

FOREIGN PATENT DOCUMENTS

JP 759035 3/1989

OTHER PUBLICATIONS

The Pacific Bay website, Summer 2010.
* cited by examiner
Primary Examiner—Catherine R Oliver
(74) *Attorney, Agent, or Firm*—Bacon & Thomas, PLLC

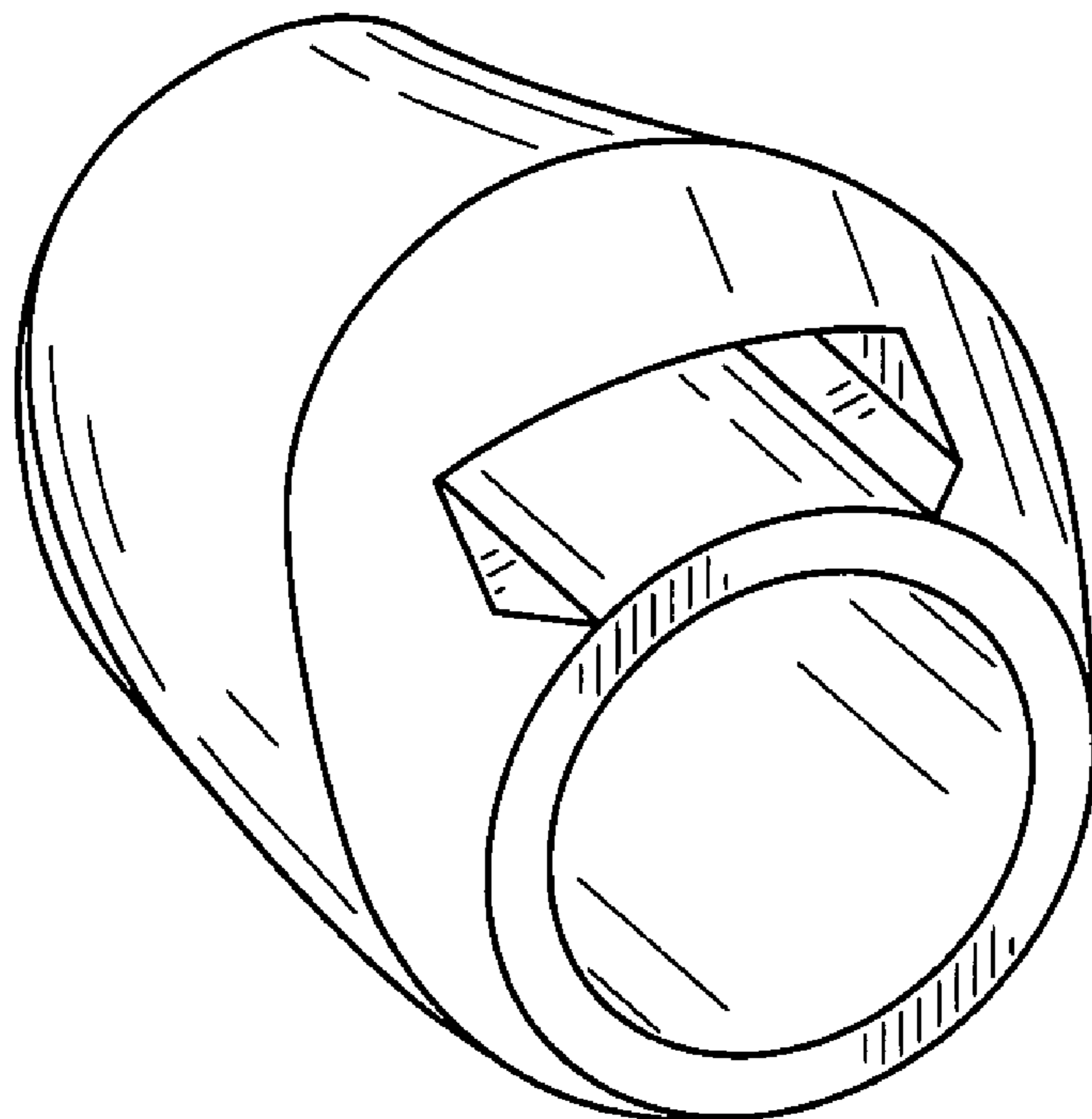
(57) **CLAIM**

The ornamental design for a reel seat for use on fishing rod, as shown and described.

DESCRIPTION

FIG. 1 is a perspective view of a reel seat for use on fishing rod embodying my new design;
FIG. 2 is a front view thereof;
FIG. 3 is a top plan view thereof;
FIG. 4 is a bottom view thereof;
FIG. 5 is a left side view thereof;
FIG. 6 is a right side view thereof;
FIG. 7 is a sectional view along 7—7 thereof; and,
FIG. 8 is a referential view showing use state thereof.
The broken line showing of environment in the drawings is included for the purpose of illustrating only and forms no part of the claimed design.

1 Claim, 4 Drawing Sheets



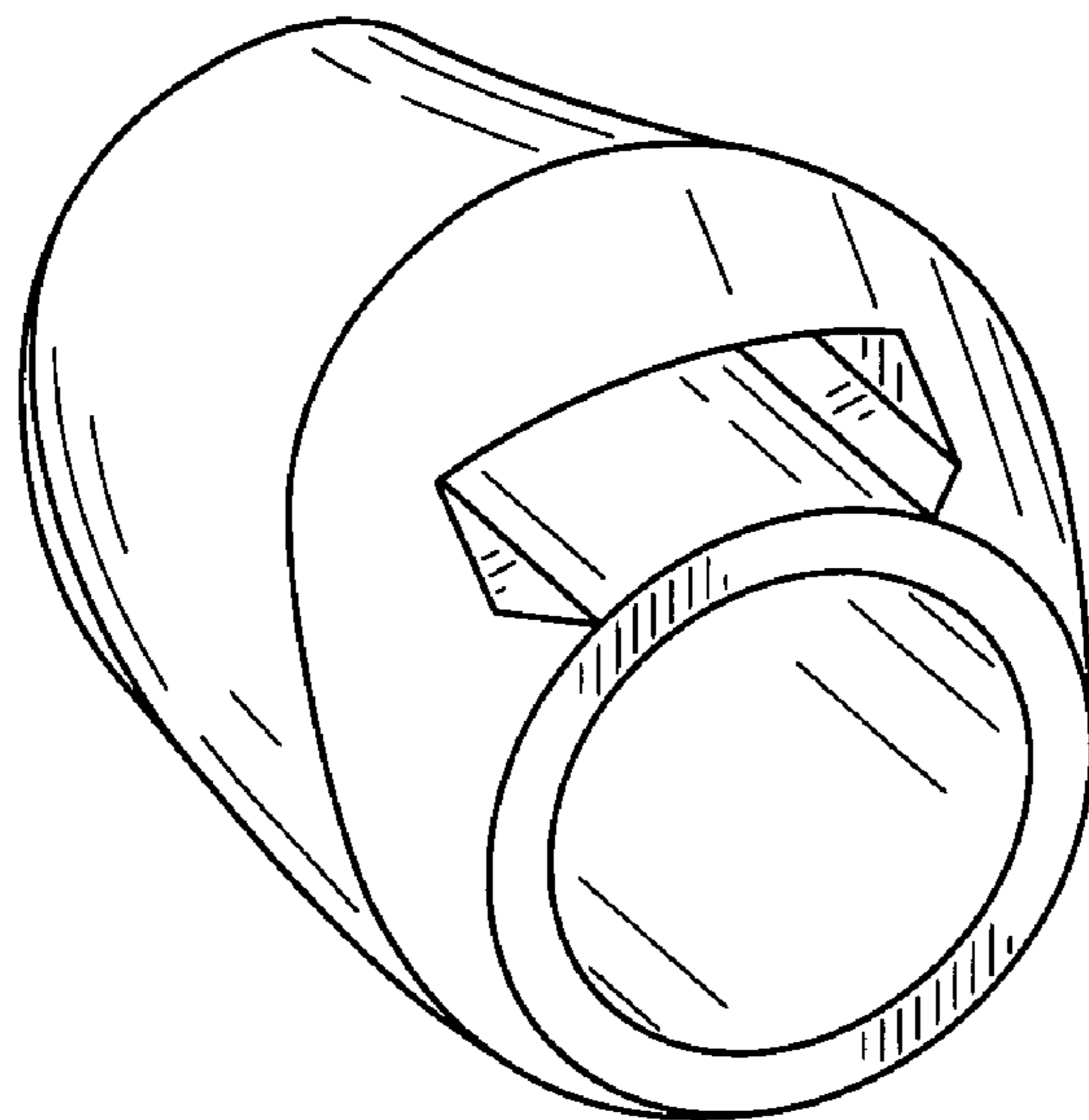


FIG. 1

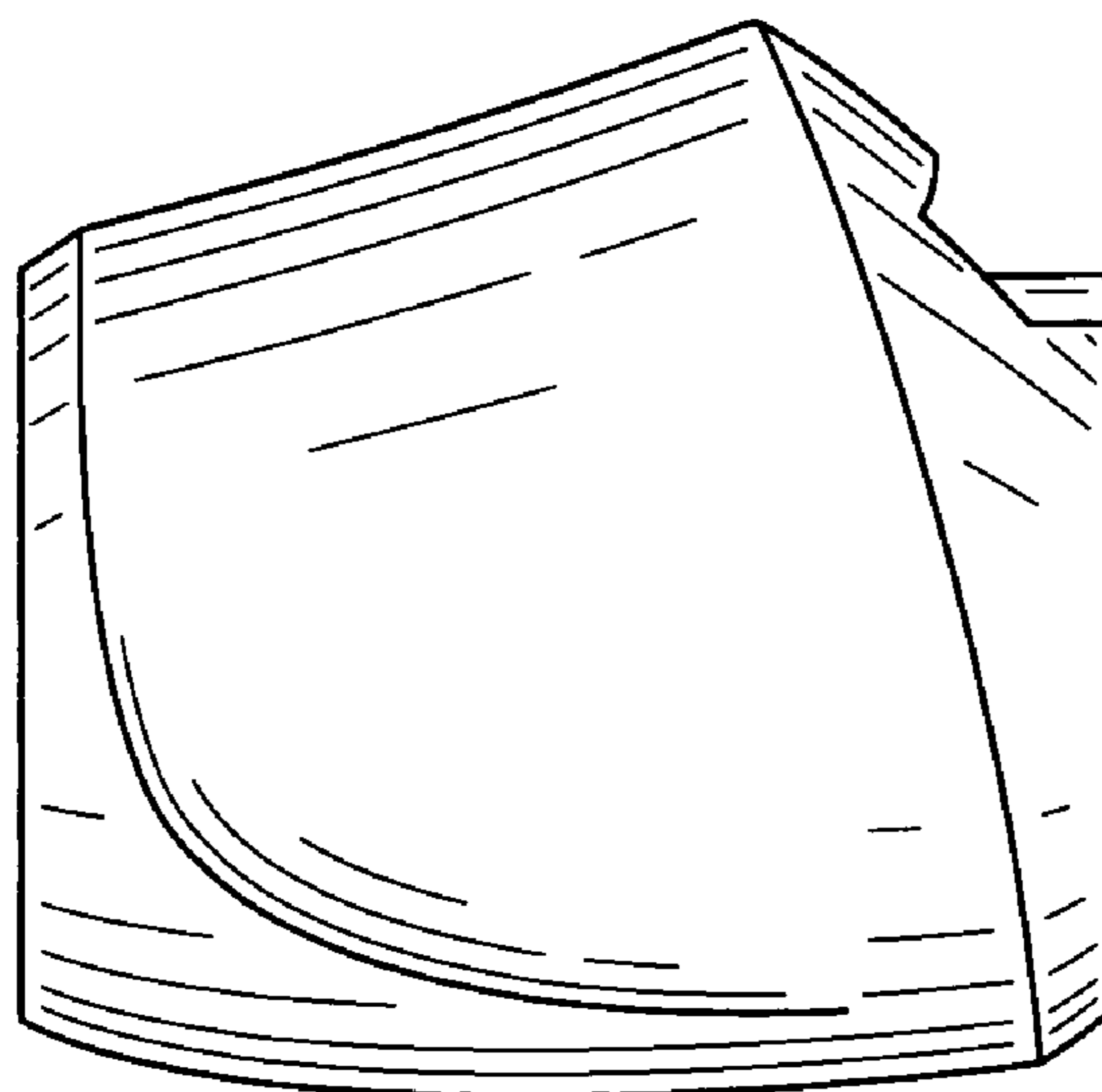


FIG. 2

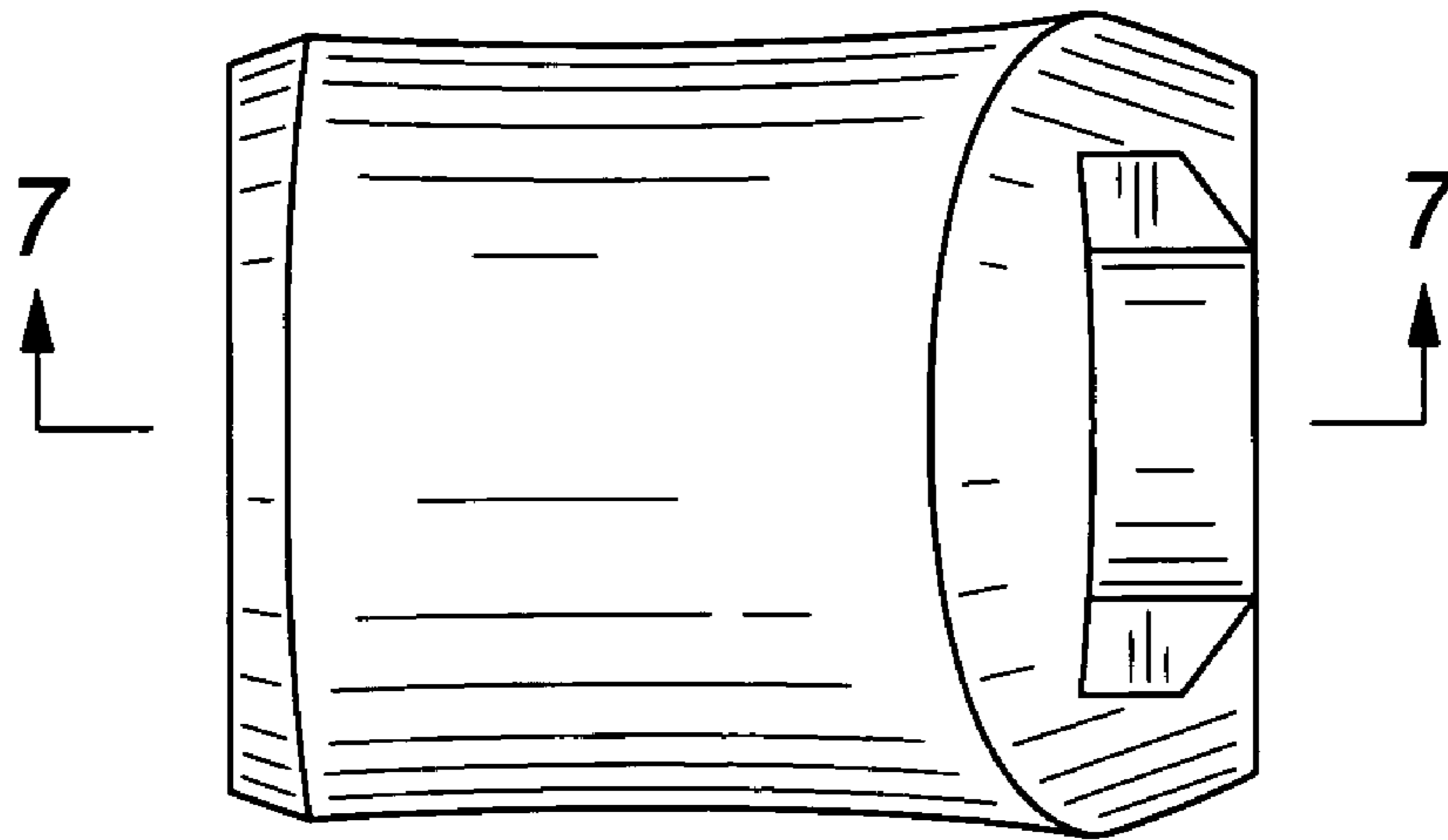


FIG. 3

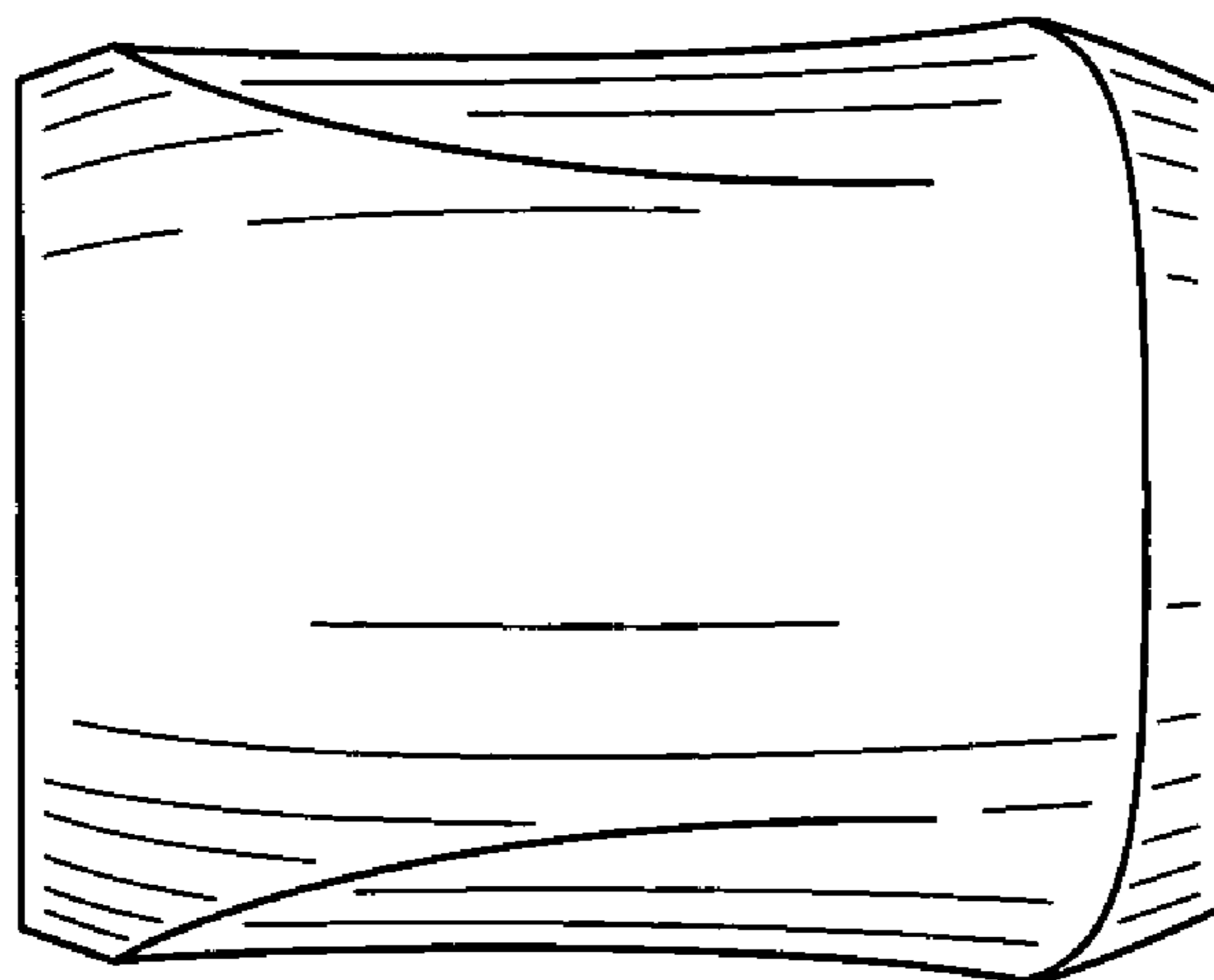


FIG. 4

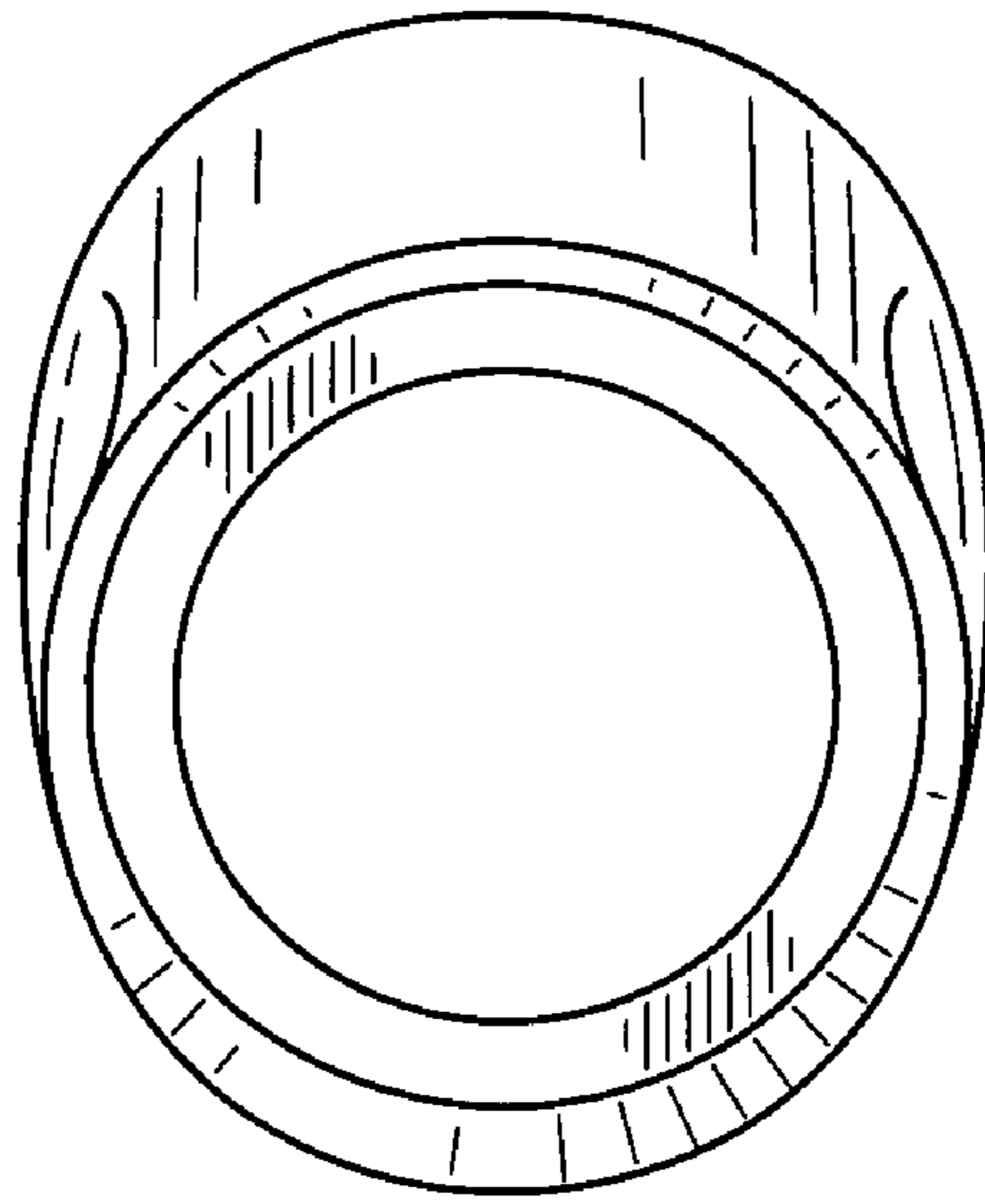


FIG. 5

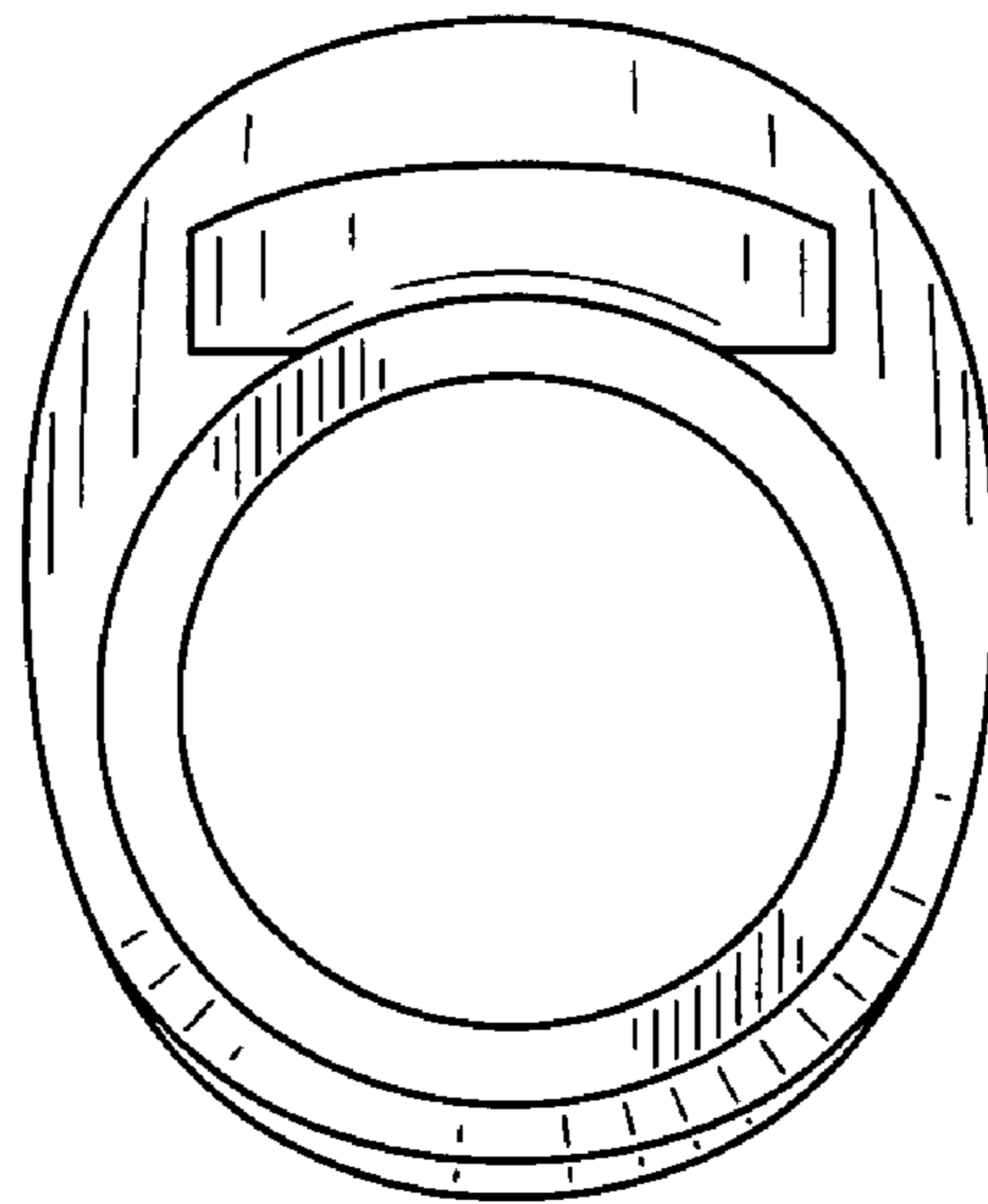


FIG. 6

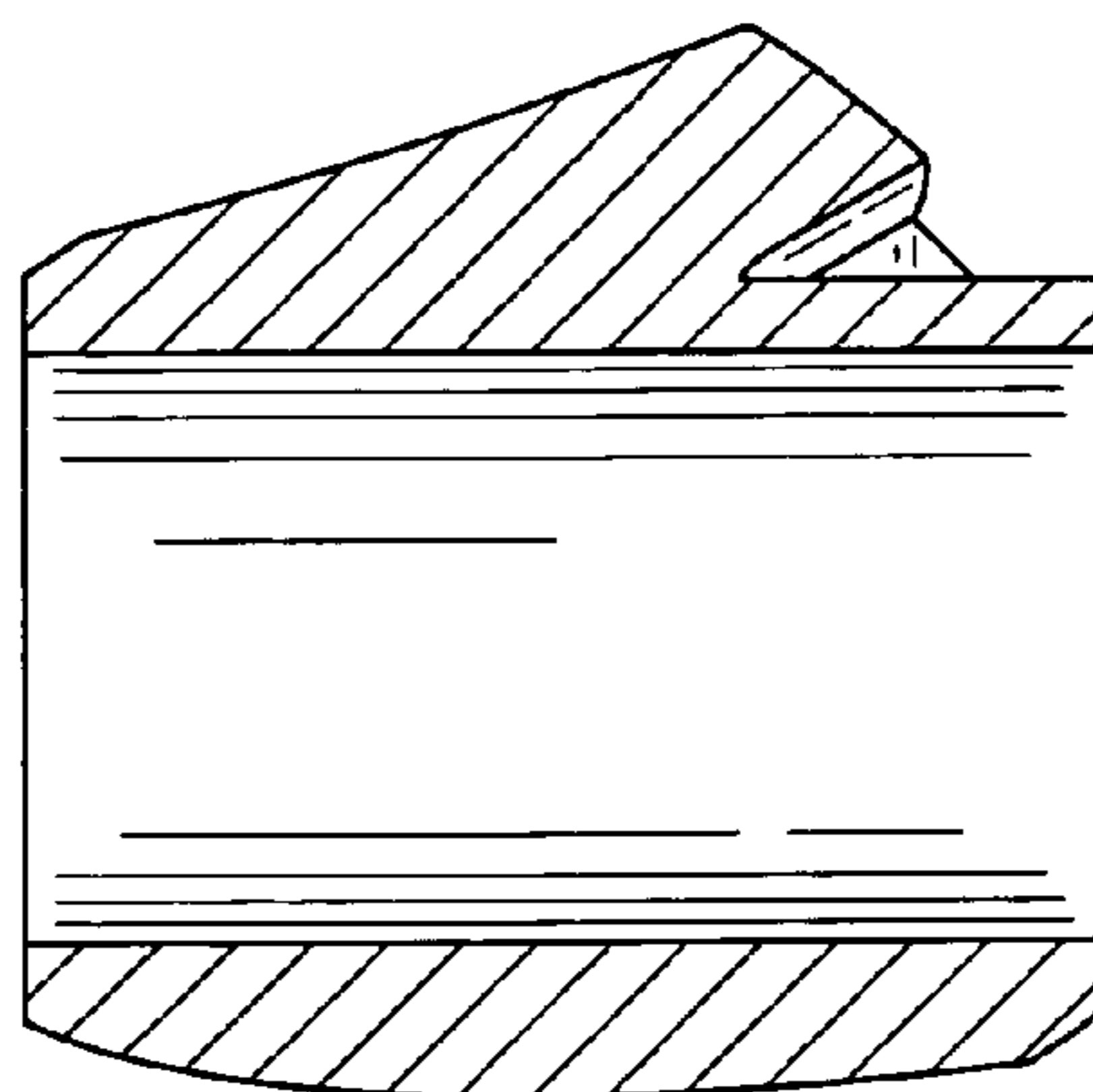


FIG. 7

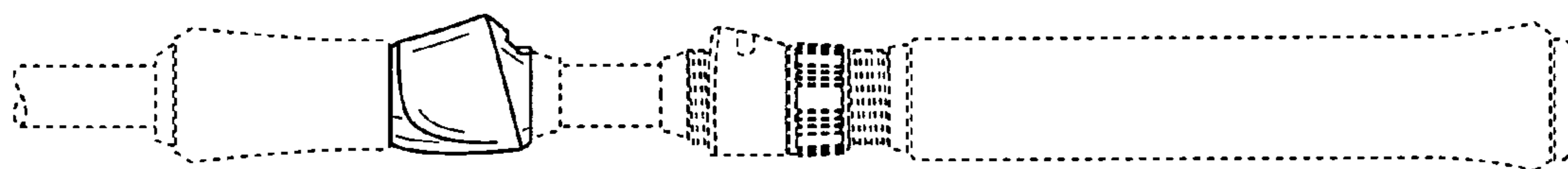


FIG. 8