

US00D633590S

(12) **United States Design Patent**
Fitzpatrick et al.

(10) **Patent No.:** **US D633,590 S**
(45) **Date of Patent:** **** Mar. 1, 2011**

(54) **MEDIUM CAPACITY FIREARM MAGAZINE**

(75) Inventors: **Richard Fitzpatrick**, Longmont, CO (US); **Michael T. Mayberry**, Denver, CO (US); **Eric Christopher Burt**, Broomfield, CO (US)

(73) Assignee: **Magpul Industries Corporation**, Boulder, CO (US)

(**) Term: **14 Years**

(21) Appl. No.: **29/354,008**

(22) Filed: **Jan. 18, 2010**

(51) **LOC (9) Cl.** **22-01**

(52) **U.S. Cl.** **D22/108**

(58) **Field of Classification Search** D22/100-116;
D21/572, 573; 124/66, 67, 74; 42/51, 71.01,
42/75.01, 75.02, 90, 94; 362/110; 33/241;
89/40.06, 37.04, 33.04, 191.01

See application file for complete search history.

(56) **References Cited**

U.S. PATENT DOCUMENTS

D593,635 S *	6/2009	Fitzpatrick et al.	D22/108
D600,303 S *	9/2009	Fitzpatrick et al.	D22/108
D614,719 S *	4/2010	Fitzpatrick et al.	D22/108
D614,720 S *	4/2010	Fitzpatrick et al.	D22/108
D614,721 S *	4/2010	Fitzpatrick et al.	D22/108
D620,545 S *	7/2010	Fitzpatrick et al.	D22/108
7,798,045 B1 *	9/2010	Fitzpatrick et al.	89/1.4
2010/0251590 A1 *	10/2010	Fitzpatrick et al.	42/50

OTHER PUBLICATIONS

U.S. Appl. No. 29/354,007, filed Jan. 18, 2010, "Small Capacity Firearm Magazine" by Fitzpatrick, et al.

U.S. Appl. No. 29/354,005, filed Jan. 18, 2010, "Large Capacity Firearm Magazine" by Fitzpatrick, et al.

U.S. Appl. No. 29/354,001, filed Jan. 18, 2010, "Firearm Magazine" by Fitzpatrick, et al.

Brownells (Apr. 20, 2010) AR-15/M16 Tactical Magazine; Website [Online] Available Web Site: http://www.brownells.com/.aspx/pid=24307/Product/AR_15_M16_TACTICAL_MAGAZINE; Last Update: Unknown; Accessed on: Apr. 20, 2010.

Cheaperthandirt.com (Apr. 20, 2010) Mag AR-15.223 OrLite 30 Round Israeli Shows Field Use; Website [Online] Available Web Site: <http://www.cheaperthandirt.com/MAG105-1.html>; Last Update: Unknown; Accessed on: Apr. 20, 2010.

(Continued)

Primary Examiner—T. Chase Nelson

Assistant Examiner—Michael A Pratt

(74) *Attorney, Agent, or Firm*—Swanson & Bratschun, L.L.C.

(57) **CLAIM**

The ornamental design for a medium capacity firearm magazine, as shown and described.

DESCRIPTION

FIG. 1 is a top, right front elevation view of a medium capacity firearm magazine showing our new design;

FIG. 2 is a right side elevation view of the magazine of FIG. 1;

FIG. 3 is a left side elevation view of the magazine of FIG. 1;

FIG. 4 is a top plan view of the magazine of FIG. 1;

FIG. 5 is a bottom plan view of the magazine of FIG. 1;

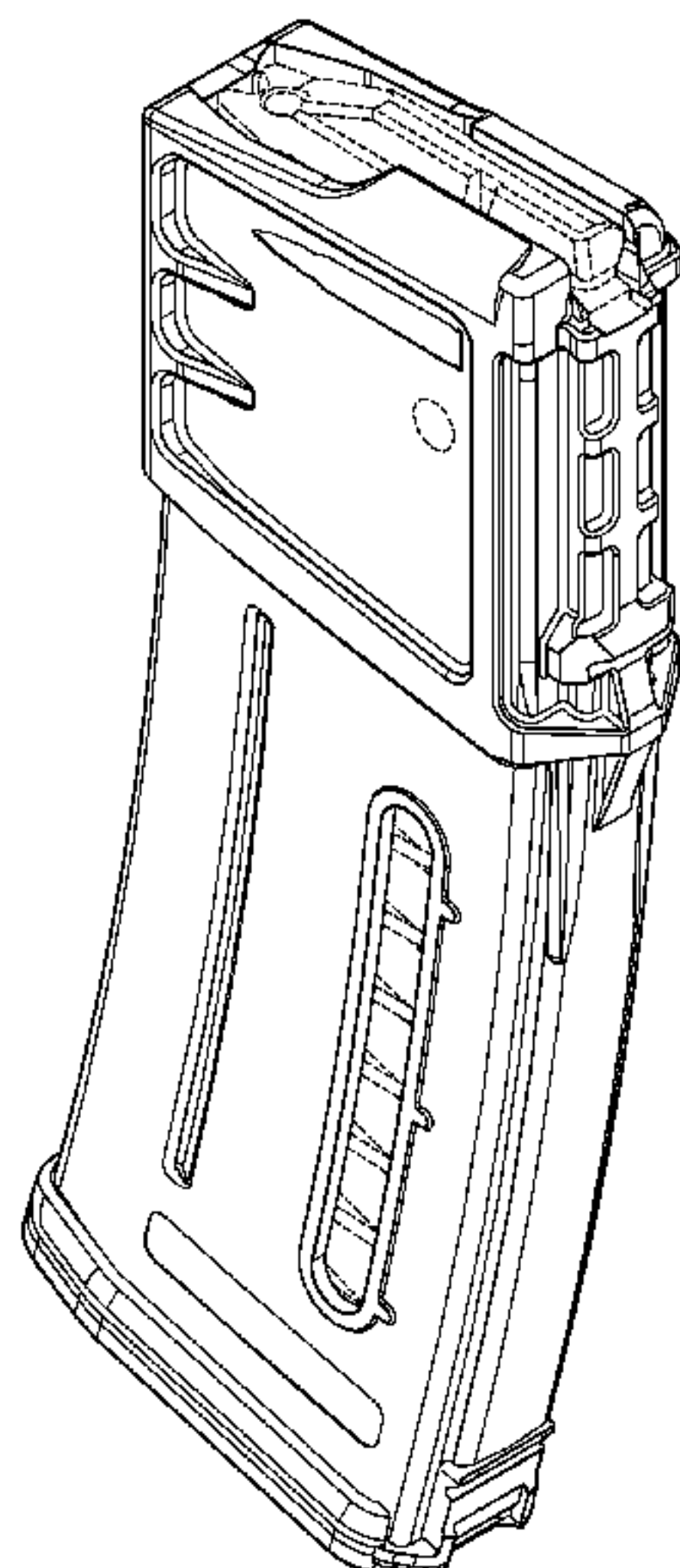
FIG. 6 is a front elevation view of the magazine of FIG. 1;

FIG. 7 is a rear elevation view of the magazine of FIG. 1; and,

FIG. 8 is a top, left, rear perspective view of the magazine of FIG. 1.

The broken lines showing portions of the design in all figures is included for the purpose of illustrating environment and forms not part of the claimed design.

1 Claim, 6 Drawing Sheets



OTHER PUBLICATIONS

EMA Tactical (Apr. 20, 2010) CDMAG Countdown Magazine; Website [Online] Available Web Site: <http://www.ematactical.com/viewProduct.asp?ID=278&catID=8>; Last Update: Unknown; Accessed on: Apr. 20, 2010.

Foltz (Feb. 21, 2007) 5.56mm 30 Round Magazine Improvement Programs; PDF [Online] Available Web Site: <http://www.dtic.mil/ndia/2006smallarms/foltz.pdf> Last Update: Feb. 21, 2007; Accessed on: Apr. 20, 2010.

Gunbroker.com (Apr. 20, 2010) Eagle International .223 Polymer Magazine; Website [Online] Available Web Site: <http://www.gunbroker.com/Auction/ViewItem.aspx?Item=164602069#PIC>; Last Update: Unknown; Accessed on: Apr. 20, 2010.

HKParts.net (Apr. 20, 2010) 30 Round HK 416 KCI Steel .556 Magazine; Website [Online] Available Web Site: <http://www.hkparts.net/shop/pc/30-Round-HK-416-KCI-Steel-556-Magazine-64p982.htm>; Last Update: Unknown; Accessed on: Apr. 20, 2010.

HKParts.net (Apr. 20, 2010) HK G36 30 Round Magazine; Website [Online] Available Web Site: <http://www.hkparts.net/shop/pc/HK->

G36-30-Round-Mag-Fits-G36-G36K-G36C-Converted-SL8-s-182p624.htm; Last Update: Unknown; Accessed on: Apr. 20, 2010. Lancer Systems (Apr. 20, 2010) L5 Translucent Magazine; Website [Online] Available Web Site: http://www.lancer-systems.com/L5_2010_30.html; Last Update: Unknown; Accessed on: Apr. 20, 2010.

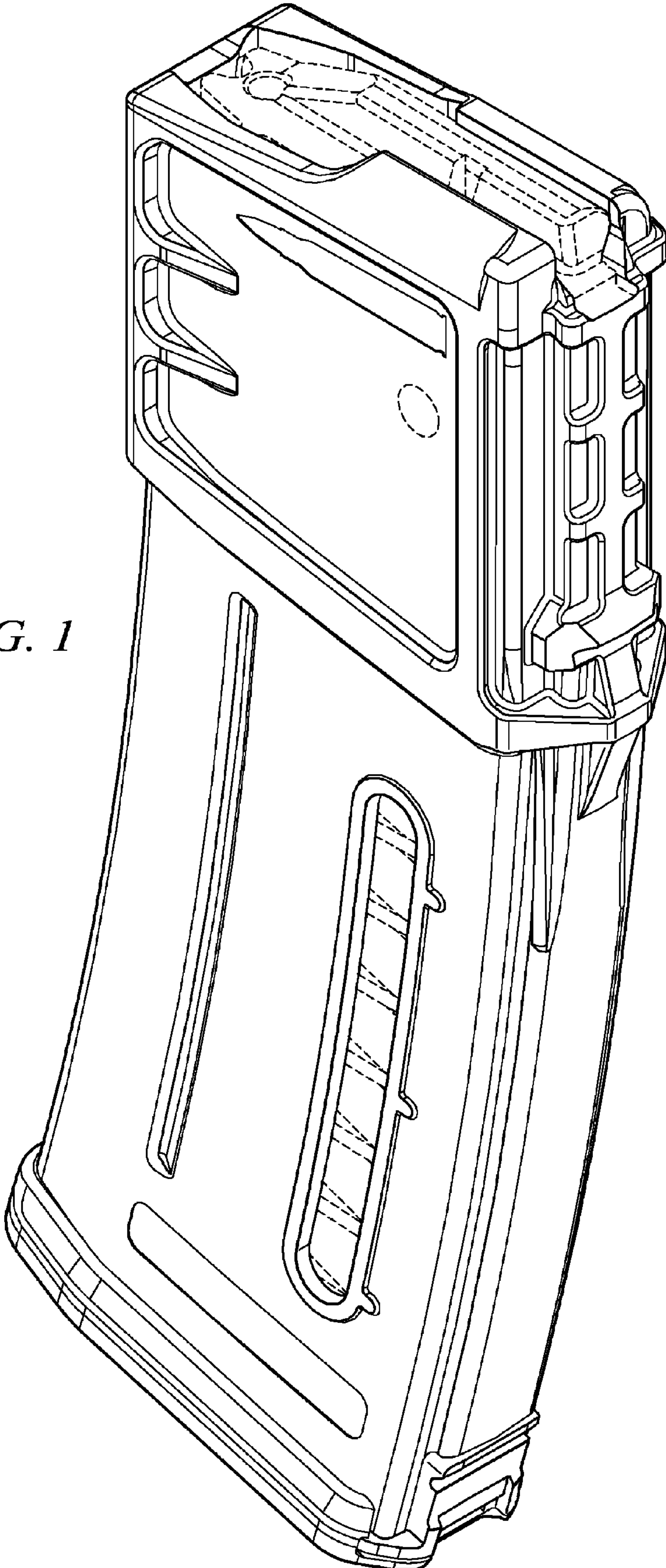
TangoDown (Apr. 20, 2010) ARC-L Magazine; Website [Online] Available Web Site: http://tangodown.com/shop/product_info.php?products_id=126; Last Update: Unknown; Accessed on: Apr. 20, 2010.

Thermoldmagazines.com (Apr. 20, 2010) Magazines; Website [Online] Available Web Site: <http://www.thermoldmagazines.com/magazines.html>; Last Update: Unknown; Accessed on: Apr. 20, 2010.

Troyind.com (Apr. 20, 2010) Troy BattleMag; Website [Online] Available Web Site: http://store.troyind.com/Troy_BattleMag_p/smag-sin-00bt-00.htm; Last Update: Unknown; Accessed on: Apr. 20, 2010.

* cited by examiner

FIG. 1



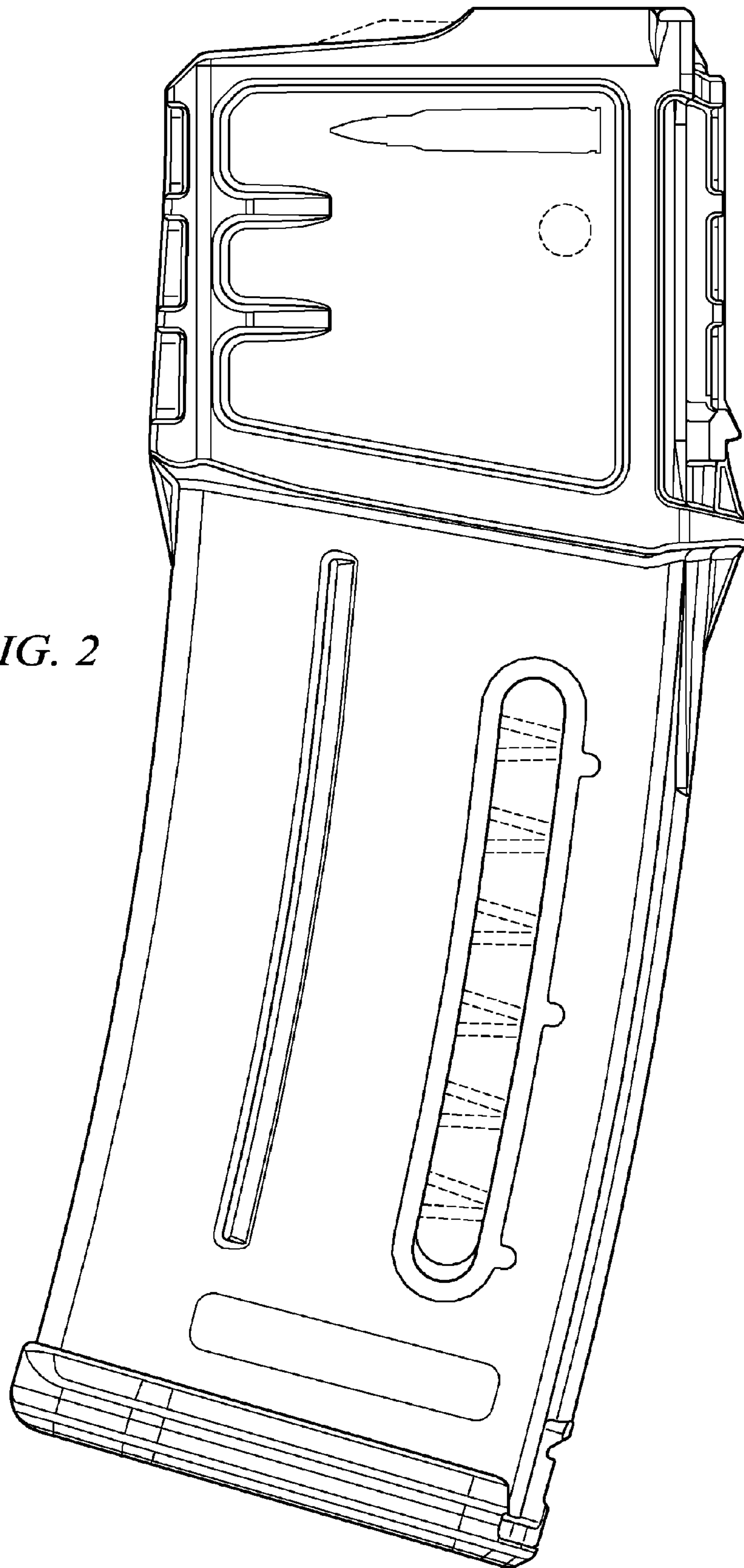


FIG. 2

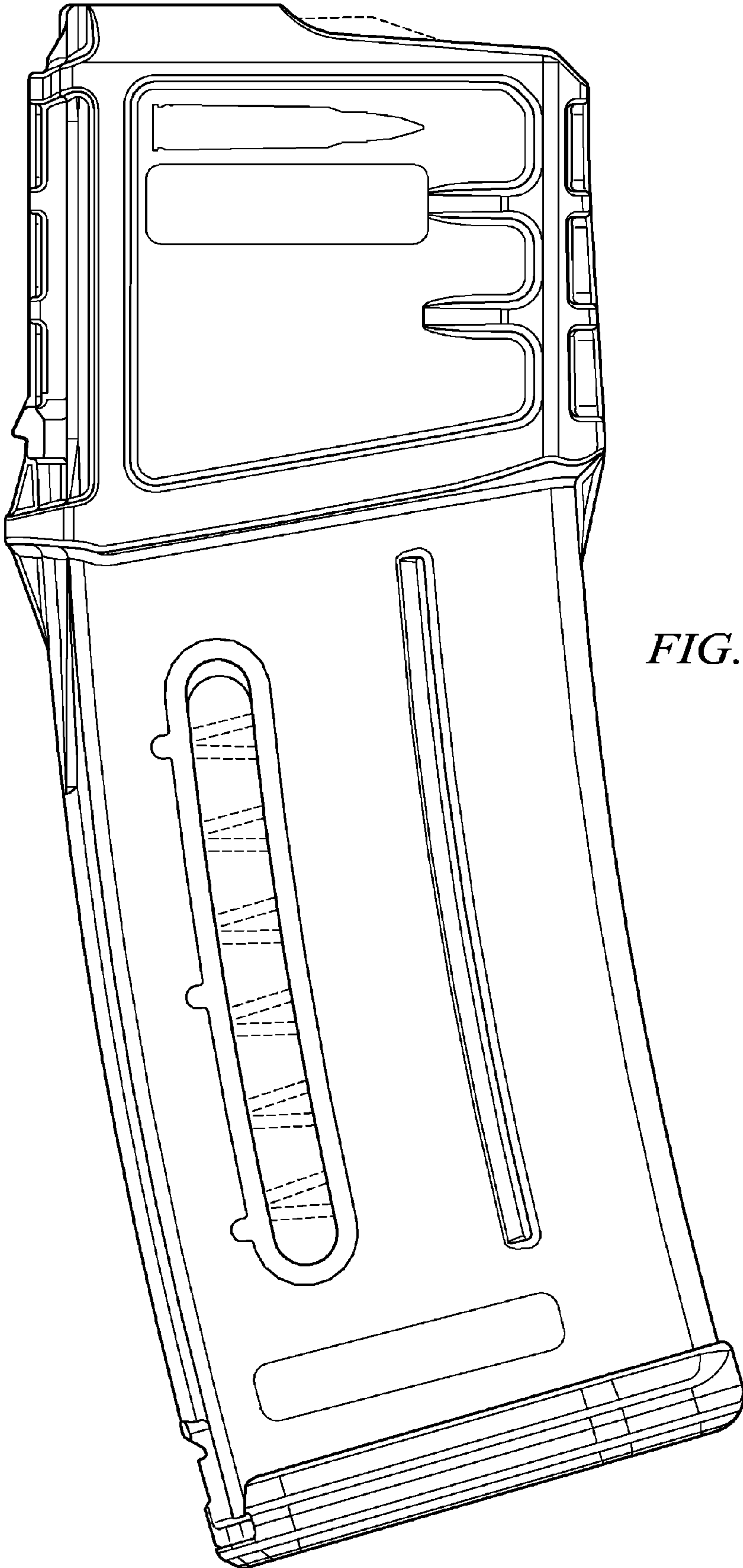


FIG. 3

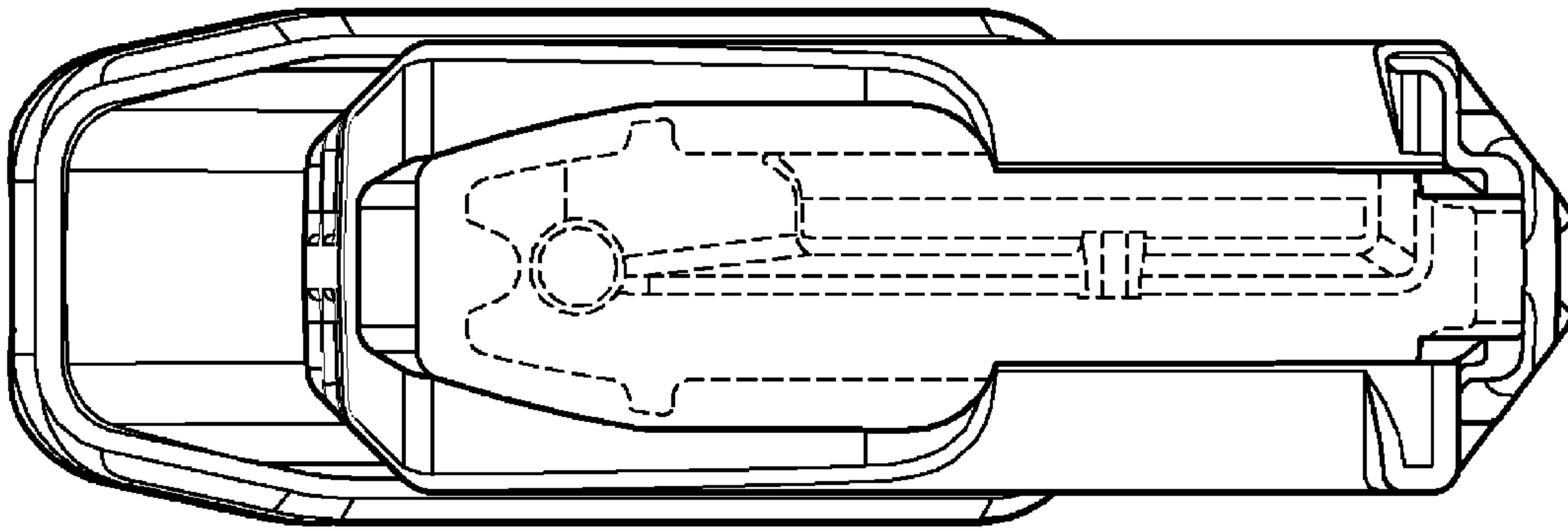


FIG. 4

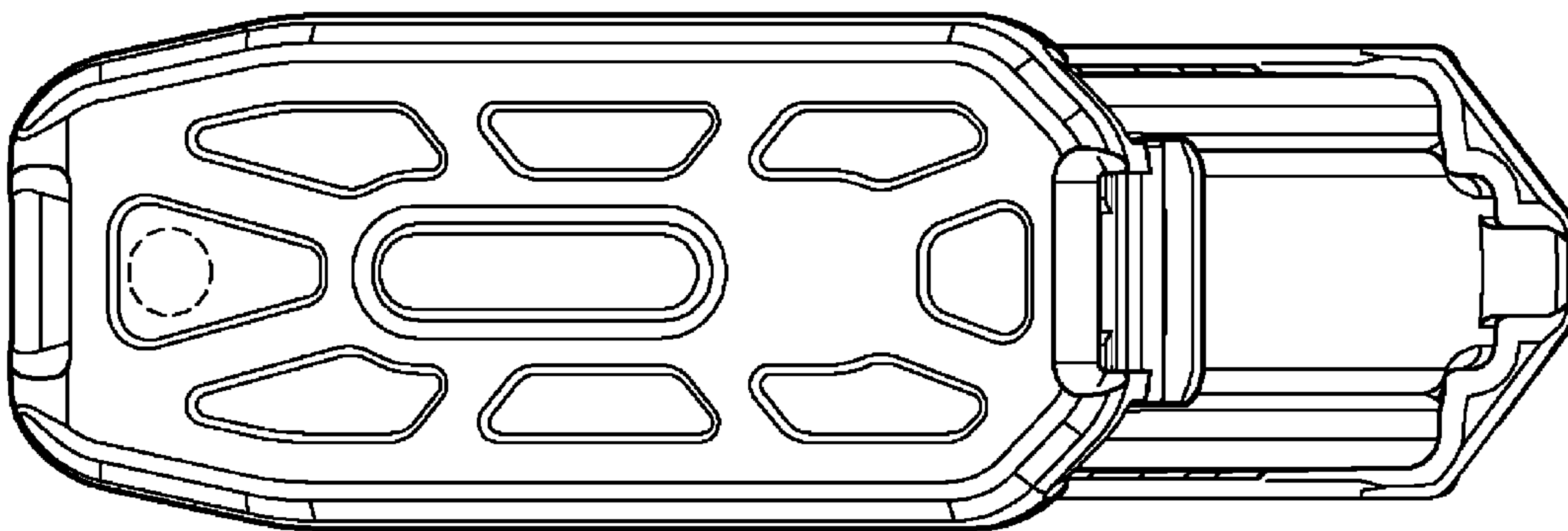


FIG. 5

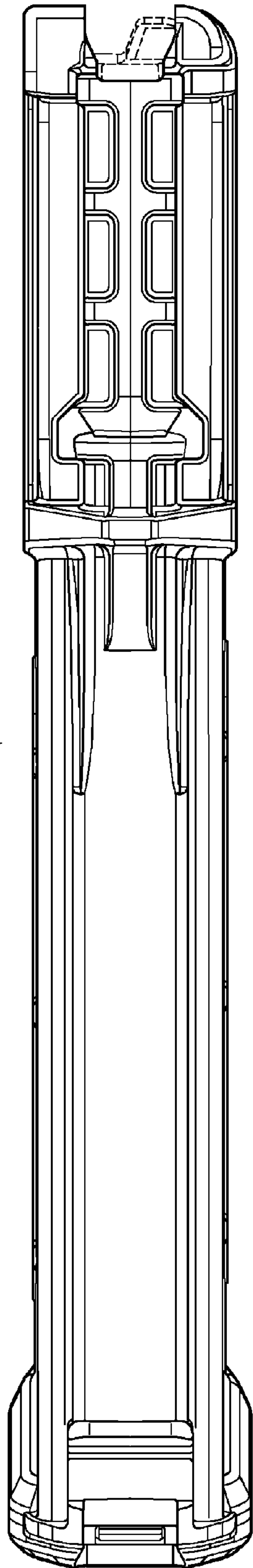


FIG. 6



FIG. 7

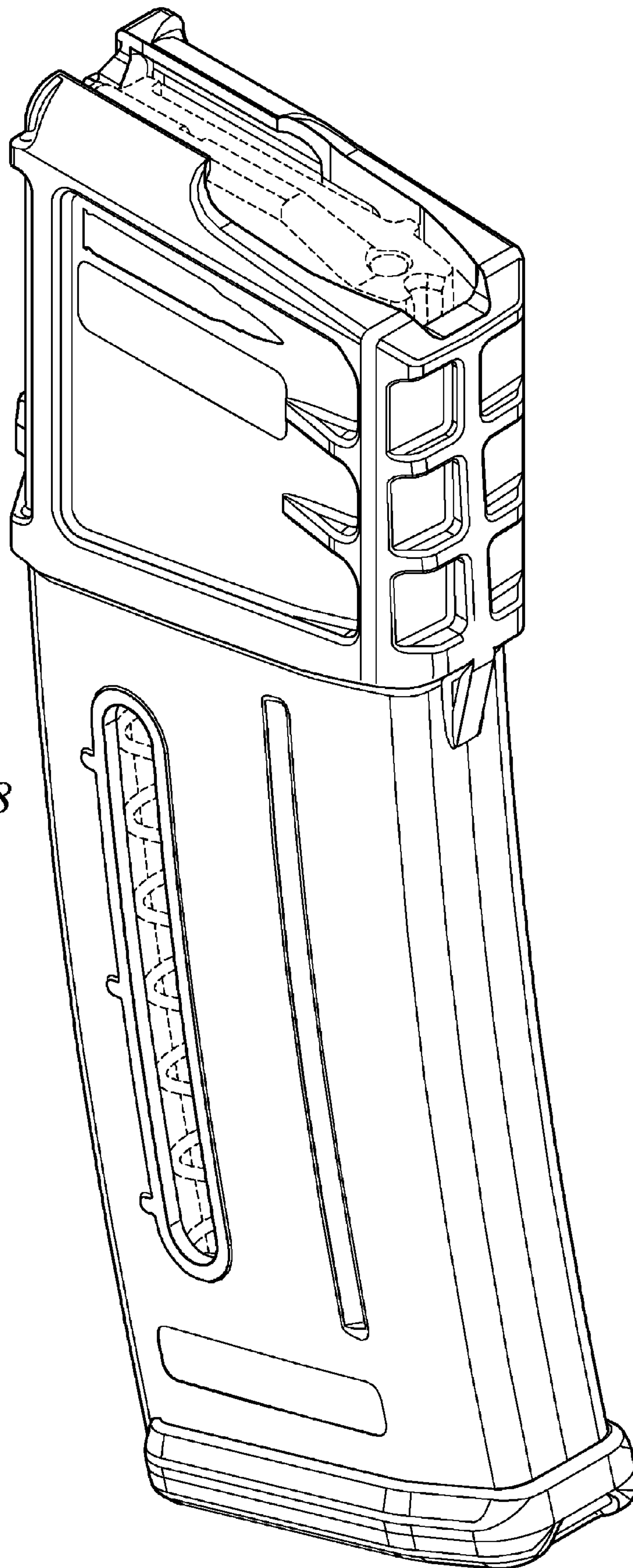


FIG. 8