



US00D633589S

(12) **United States Design Patent**  
**Fitzpatrick et al.**

(10) **Patent No.:** **US D633,589 S**

(45) **Date of Patent:** **\*\* Mar. 1, 2011**

(54) **LARGE CAPACITY FIREARM MAGAZINE**

pid=24307/Product/AR\_15\_M16\_TACTICAL\_ MAGAZINE;  
Last Update: Unknown; Accessed on: Apr. 20, 2010.

(75) Inventors: **Richard Fitzpatrick**, Longmont, CO (US); **Michael T. Mayberry**, Denver, CO (US); **Eric Christopher Burt**, Broomfield, CO (US)

(Continued)

(73) Assignee: **Magpul Industries Corporation**, Boulder, CO (US)

*Primary Examiner*—T. Chase Nelson

*Assistant Examiner*—Michael A Pratt

(74) *Attorney, Agent, or Firm*—Swanson & Bratschun, L.L.C.

(\*\*) Term: **14 Years**

(57) **CLAIM**

(21) Appl. No.: **29/354,005**

The ornamental design for a large capacity firearm magazine, as shown and described.

(22) Filed: **Jan. 18, 2010**

(51) **LOC (9) Cl.** ..... **22-01**

**DESCRIPTION**

(52) **U.S. Cl.** ..... **D22/108**

(58) **Field of Classification Search** ..... D22/100–116;  
D21/572, 573; 124/66, 67, 74; 42/51, 71.01,  
42/75.01, 75.02, 90, 94; 362/110; 33/241;  
89/40.06, 37.04, 33.04, 191.01

See application file for complete search history.

FIG. 1 is a right, top front perspective view of a large capacity firearm magazine showing our new design;

FIG. 2 is a right side elevation view of the firearm magazine of FIG. 1;

FIG. 3 is a left side elevation view of the firearm magazine of FIG. 1;

FIG. 4 is a top plan view of the firearm magazine of FIG. 1;

FIG. 5 is a bottom plan view of the firearm magazine of FIG. 1;

FIG. 6 is a front elevation view of the firearm magazine of FIG. 1;

FIG. 7 is a rear elevation view of the firearm magazine of FIG. 1;

FIG. 8 is a top, left rear perspective view of the case of FIG. 1; and,

FIG. 9 is a bottom, right, rear perspective view of the firearm magazine of FIG. 1.

The broken lines showing portions of the design in all figures is included for the purpose of illustrating environment and forms not part of the claimed design.

(56) **References Cited**

U.S. PATENT DOCUMENTS

D593,635 S *	6/2009	Fitzpatrick et al.	.....	D22/108
D600,303 S *	9/2009	Fitzpatrick et al.	.....	D22/108
D614,719 S *	4/2010	Fitzpatrick et al.	.....	D22/108
D614,720 S *	4/2010	Fitzpatrick et al.	.....	D22/108
D614,721 S *	4/2010	Fitzpatrick et al.	.....	D22/108
D620,545 S *	7/2010	Fitzpatrick et al.	.....	D22/108
7,798,045 B1 *	9/2010	Fitzpatrick et al.	.....	89/1.4
2010/0251590 A1 *	10/2010	Fitzpatrick et al.	.....	42/50

OTHER PUBLICATIONS

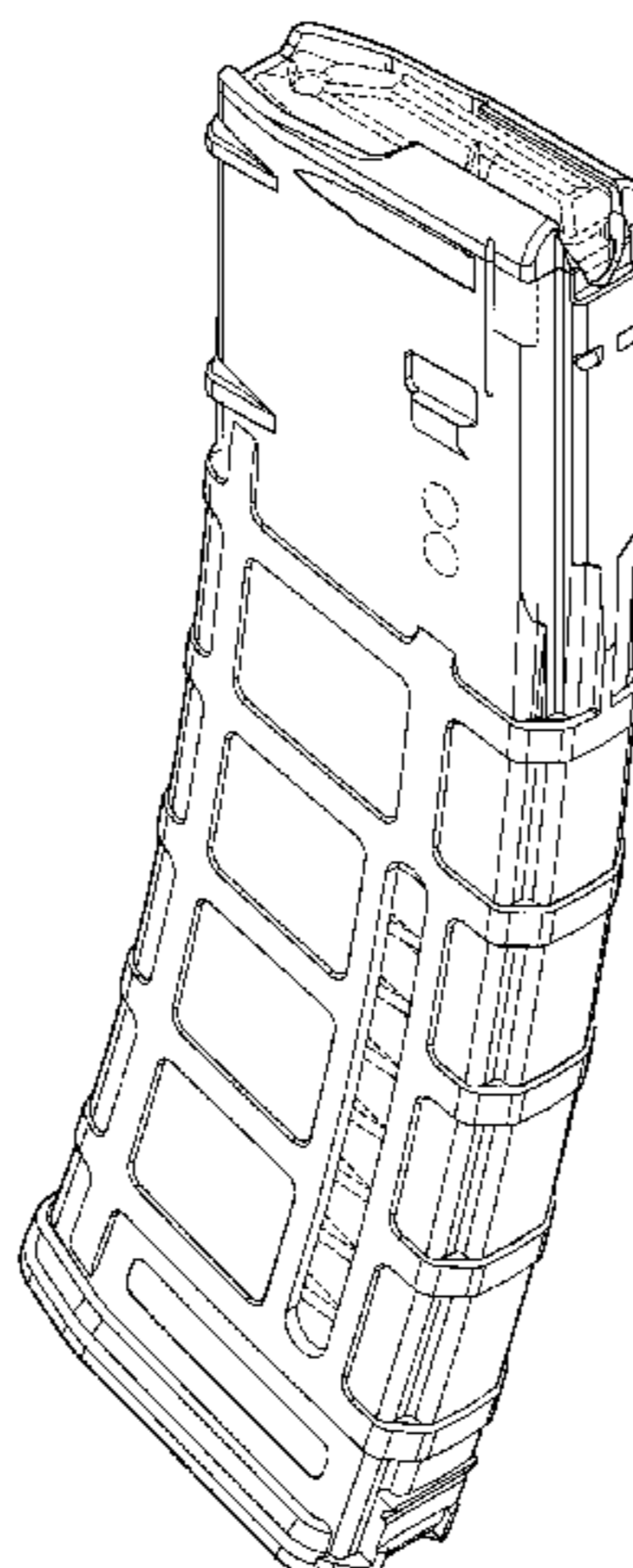
U.S. Appl. No. 29/354,007, filed Jan. 18, 2010, “Small Capacity Firearm Magazine” by Fitzpatrick, et al.

U.S. Appl. No. 29/354,008, filed Jan. 18, 2010, “Medium Capacity Firearm Magazine” by Fitzpatrick, et al.

U.S. Appl. No. 29/354,001, filed Jan. 18, 2010, “Firearm Magazine” by Fitzpatrick, et al.

Brownells (Apr. 20, 2010) AR-15/M16 Tactical Magazine; Website [Online] Available Web Site: <http://www.brownells.com/asp/>

**1 Claim, 7 Drawing Sheets**



OTHER PUBLICATIONS

Cheaperthandirt.com (Apr. 20, 2010) Mag AR-15.223 Orlite 30 Round Israeli Shows Field Use; Website [Online] Available Web Site: <http://www.cheaperthandirt.com/MAG105-1.html>; Last Update: Unknown; Accessed on: Apr. 20, 2010.

EMA Tactical (Apr. 20, 2010) CDMAG Countdown Magazine; Website [Online] Available Web Site: <http://www.ematactical.com/viewProduct.asp?ID=278&catID=8>; Last Update: Unknown; Accessed on: Apr. 20, 2010.

Foltz (Feb. 21, 2007) 5.56mm 30 Round Magazine Improvement Programs; PDF [Online] Available Web Site: <http://www.dtic.mil/ndia/2006smallarms/foltz.pdf> Last Update: Feb. 21, 2007; Accessed on: Apr. 20, 2010.

Gunbroker.com (Apr. 20, 2010) Eagle International .223 Polymer Magazine; Website [Online] Available Web Site: <http://www.gunbroker.com/Auction/ViewItem.aspx?Item=164602069#PIC>; Last Update: Unknown; Accessed on: Apr. 20, 2010.

HKParts.net (Apr. 20, 2010) 30 Round HK 416 KCI Steel .556 Magazine; Website [Online] Available Web Site: <http://www.hkparts.net/shop/pc/30-Round-HK-416-KCI-Steel-556-Magazine-64p982.htm>; Last Update: Unknown; Accessed on: Apr. 20, 2010.

HKParts.net (Apr. 20, 2010) HK G36 30 Round Magazine; Website [Online] Available Web Site: <http://www.hkparts.net/shop/pc/HK-G36-30-Round-Mag-Fits-G36-G36K-G36C-Converted-SL8-s-182p624.htm>; Last Update: Unknown; Accessed on: Apr. 20, 2010.

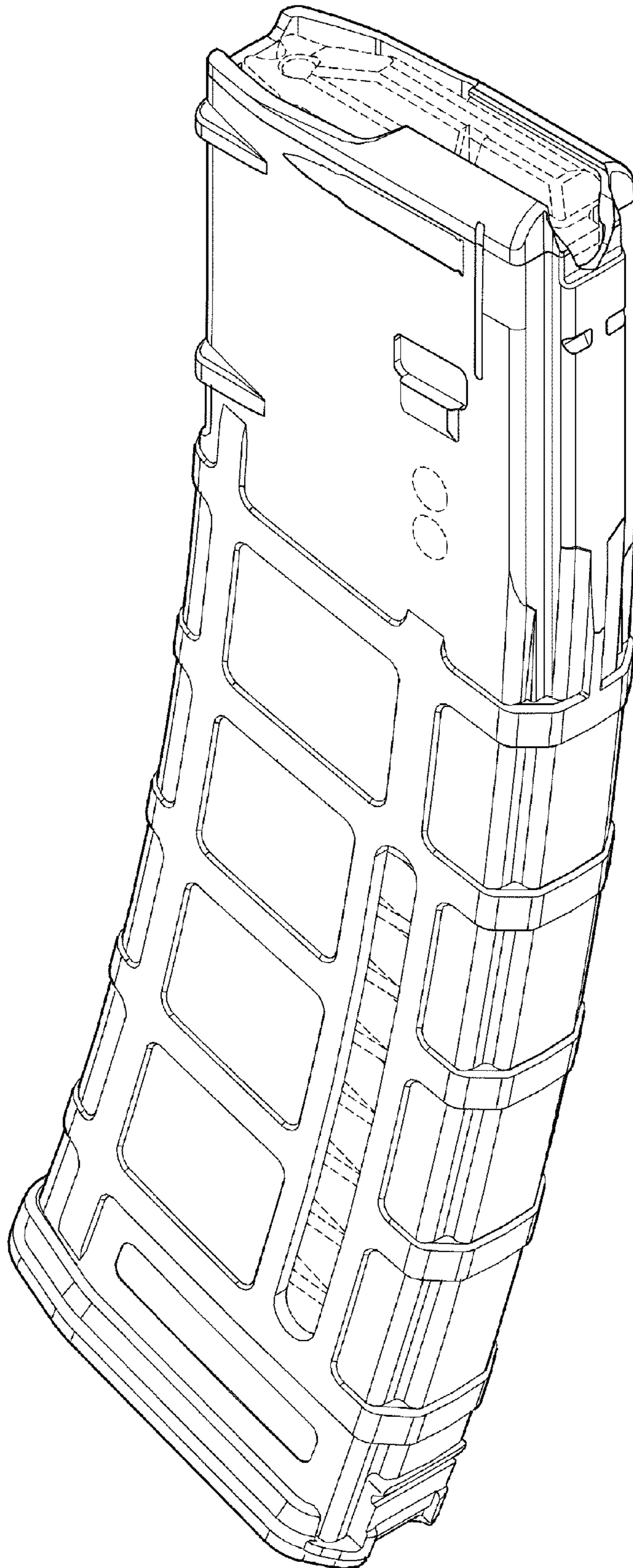
Lancer Systems (Apr. 20, 2010) L5 Translucent Magazine; Website [Online] Available Web Site: [http://www.lancer-systems.com/L5\\_2010\\_30.html](http://www.lancer-systems.com/L5_2010_30.html); Last Update: Unknown; Accessed on: Apr. 20, 2010.

TangoDown (Apr. 20, 2010) ARC-L Magazine; Website [Online] Available Web Site: [http://tangodown.com/shop/product\\_info.php?products\\_id=126](http://tangodown.com/shop/product_info.php?products_id=126); Last Update: Unknown; Accessed on: Apr. 20, 2010.

Thermoldmagazines.com (Apr. 20, 2010) Magazines; Website [Online] Available Web Site: <http://www.thermoldmagazines.com/magazines.html>; Last Update: Unknown; Accessed on: Apr. 20, 2010.

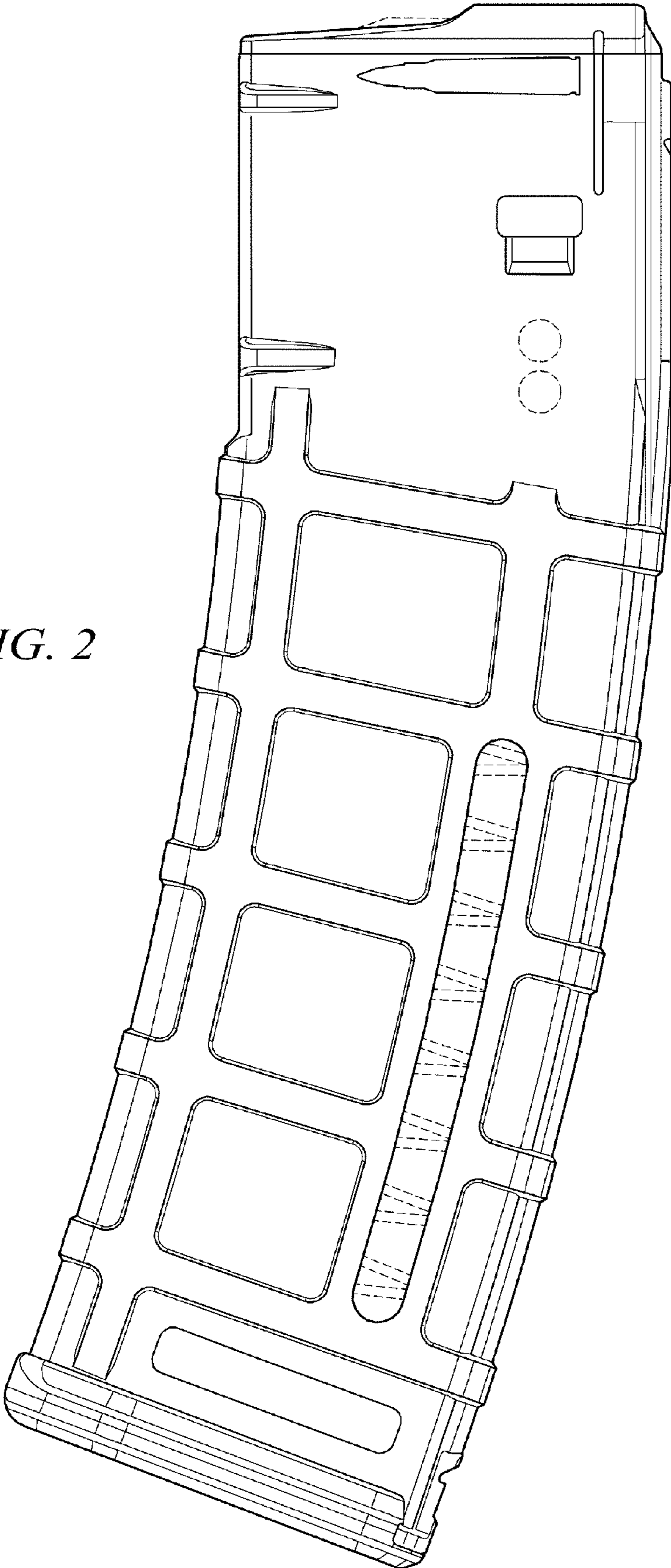
Troyind.com (Apr. 20, 2010) Troy BattleMag; Website [Online] Available Web Site: [http://store.troyind.com/Troy\\_BattleMag\\_p/smag-sin-00bt-00.htm](http://store.troyind.com/Troy_BattleMag_p/smag-sin-00bt-00.htm); Last Update: Unknown; Accessed on: Apr. 20, 2010.

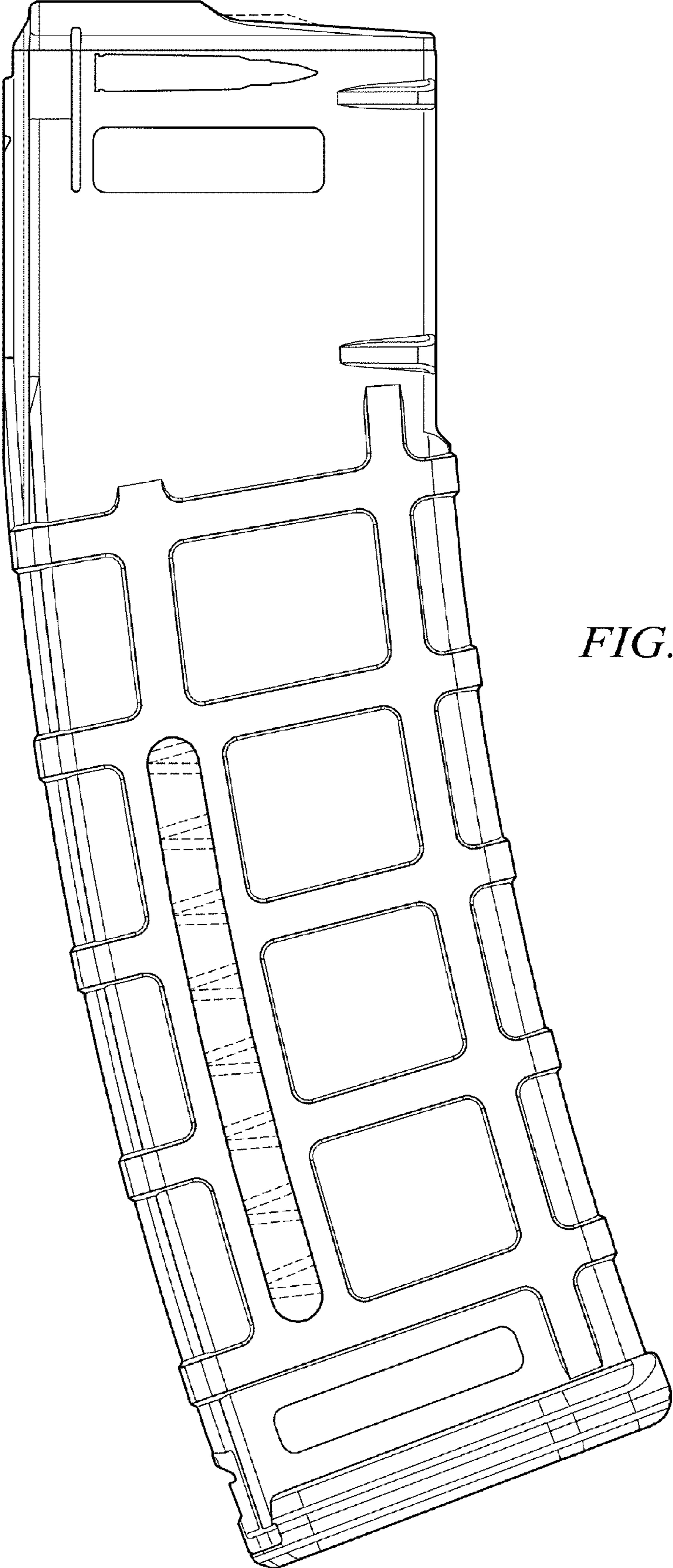
\* cited by examiner



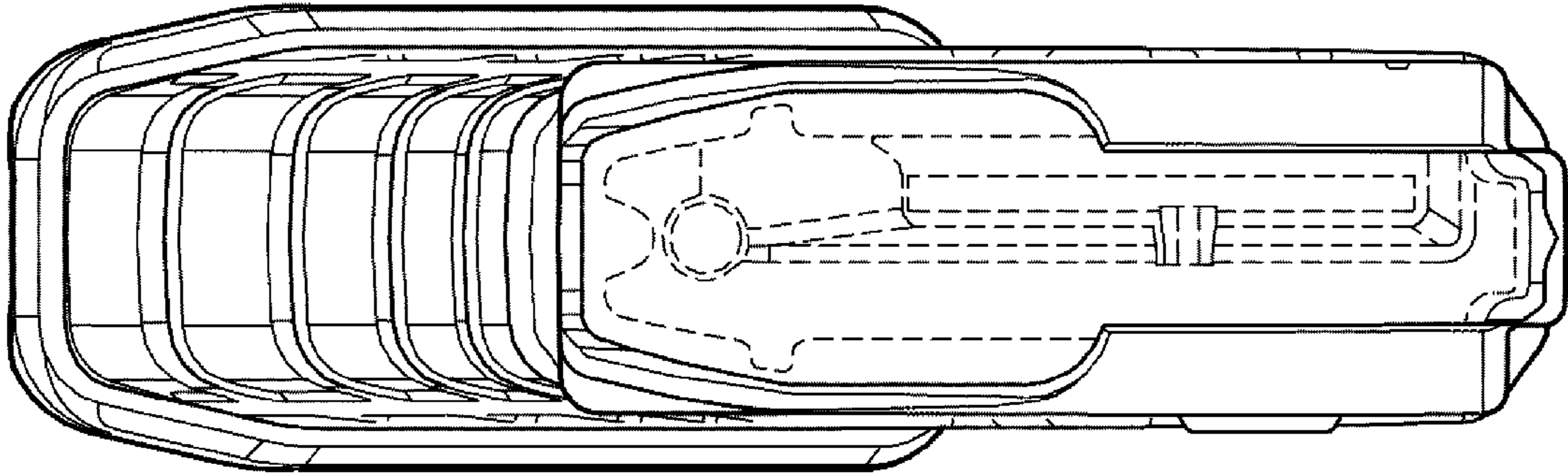
*FIG. 1*

FIG. 2

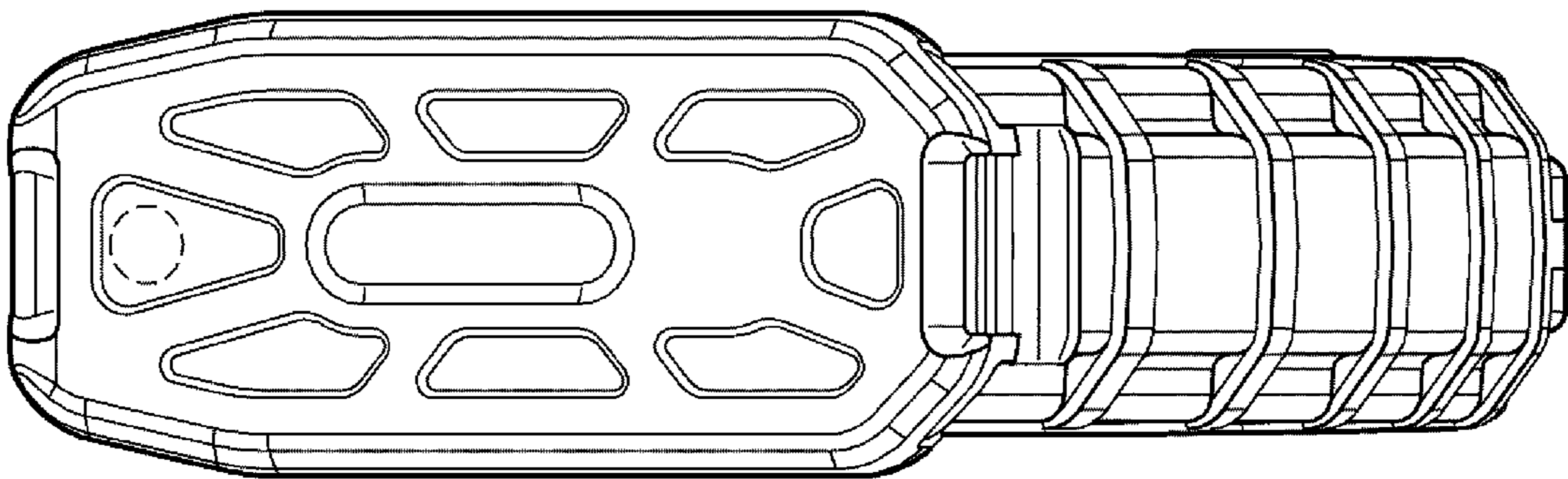




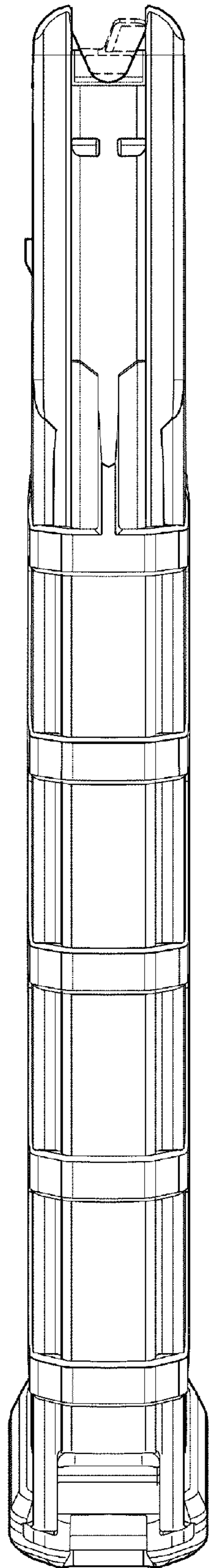
*FIG. 3*



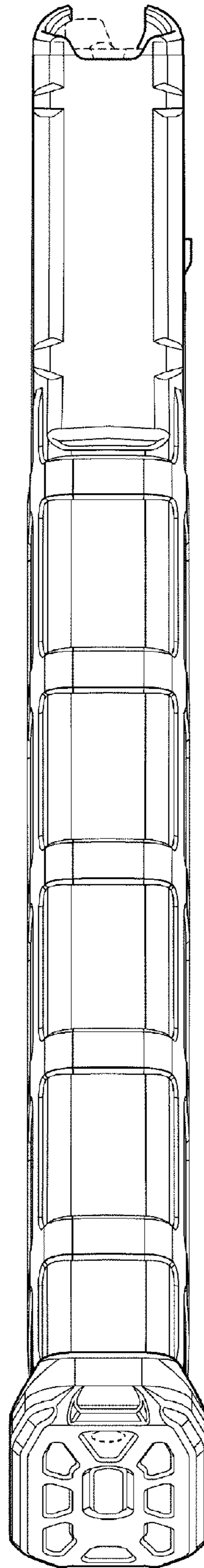
*FIG. 4*



*FIG. 5*

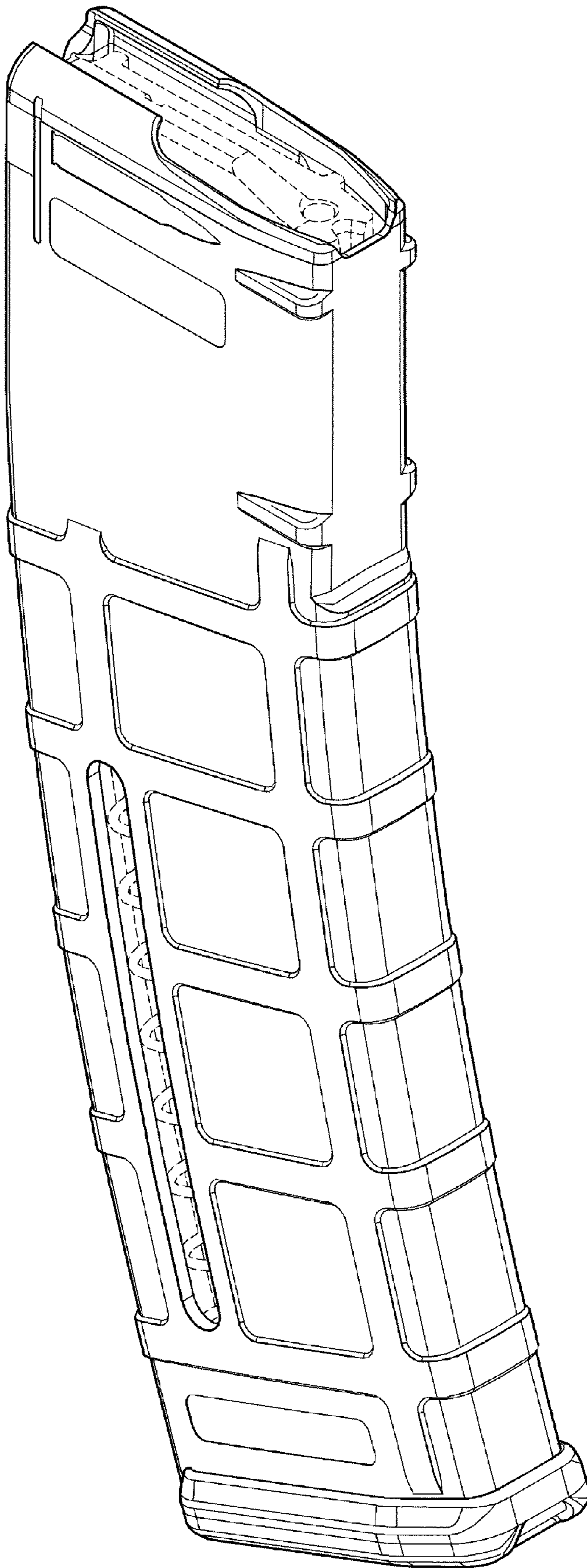


*FIG. 6*



*FIG. 7*

*FIG. 8*





*FIG. 9*

