



US00D633585S

(12) **United States Design Patent**
Hirano et al.

(10) **Patent No.:** **US D633,585 S**
(45) **Date of Patent:** **** Mar. 1, 2011**

(54) **SKATE GUARD**

(75) Inventors: **Motoaki Hirano**, Markham (CA);
Takuya Hirano, Markham (CA)

(73) Assignee: **Questa Design Ltd.**, Scarborough, ON
(CA)

(**) Term: **14 Years**

(21) Appl. No.: **29/347,149**

(22) Filed: **Oct. 2, 2009**

(51) **LOC (9) Cl.** **21-02**

(52) **U.S. Cl.** **D21/772**

(58) **Field of Classification Search** D21/760-792,
D21/771, 772, 776; 280/809, 811, 825, 11.18,
280/11.1

See application file for complete search history.

(56) **References Cited**

U.S. PATENT DOCUMENTS

1,554,434	A	9/1925	Johnson	
1,686,667	A	10/1928	Kaskey	
1,788,433	A	1/1931	Johnson	
3,135,526	A	6/1964	Johns	
3,583,720	A	6/1971	Fowlkes	
4,252,345	A	2/1981	Cabral	
4,365,828	A	12/1982	Hall et al.	
4,382,615	A	5/1983	Grongorg et al.	
4,382,616	A	5/1983	Olivieri	
4,392,674	A	7/1983	Evon	
D274,743	S *	7/1984	Shewchuck D21/772

5,183,292	A	2/1993	Ragin	
5,290,065	A	3/1994	Kassal	
5,513,881	A	5/1996	DiMeglio et al.	
5,580,094	A	12/1996	Ruehlman et al.	
D400,946	S *	11/1998	St. Amand et al. D21/761
5,941,568	A	8/1999	White, II	
D459,778	S *	7/2002	Gronborg D21/772
D574,458	S *	8/2008	Mayer et al. D21/772

FOREIGN PATENT DOCUMENTS

CA 2169774 8/1997

* cited by examiner

Primary Examiner—Lisa P Lichtenstein

(74) *Attorney, Agent, or Firm*—Lynn C. Schumacher; Hill & Schumacher

(57) **CLAIM**

The ornamental design for a skate guard, as shown and described.

DESCRIPTION

FIG. 1 is a rear perspective view of a skate guard showing our new design.

FIG. 2 is a front perspective view thereof;

FIG. 3 is a top plan view thereof;

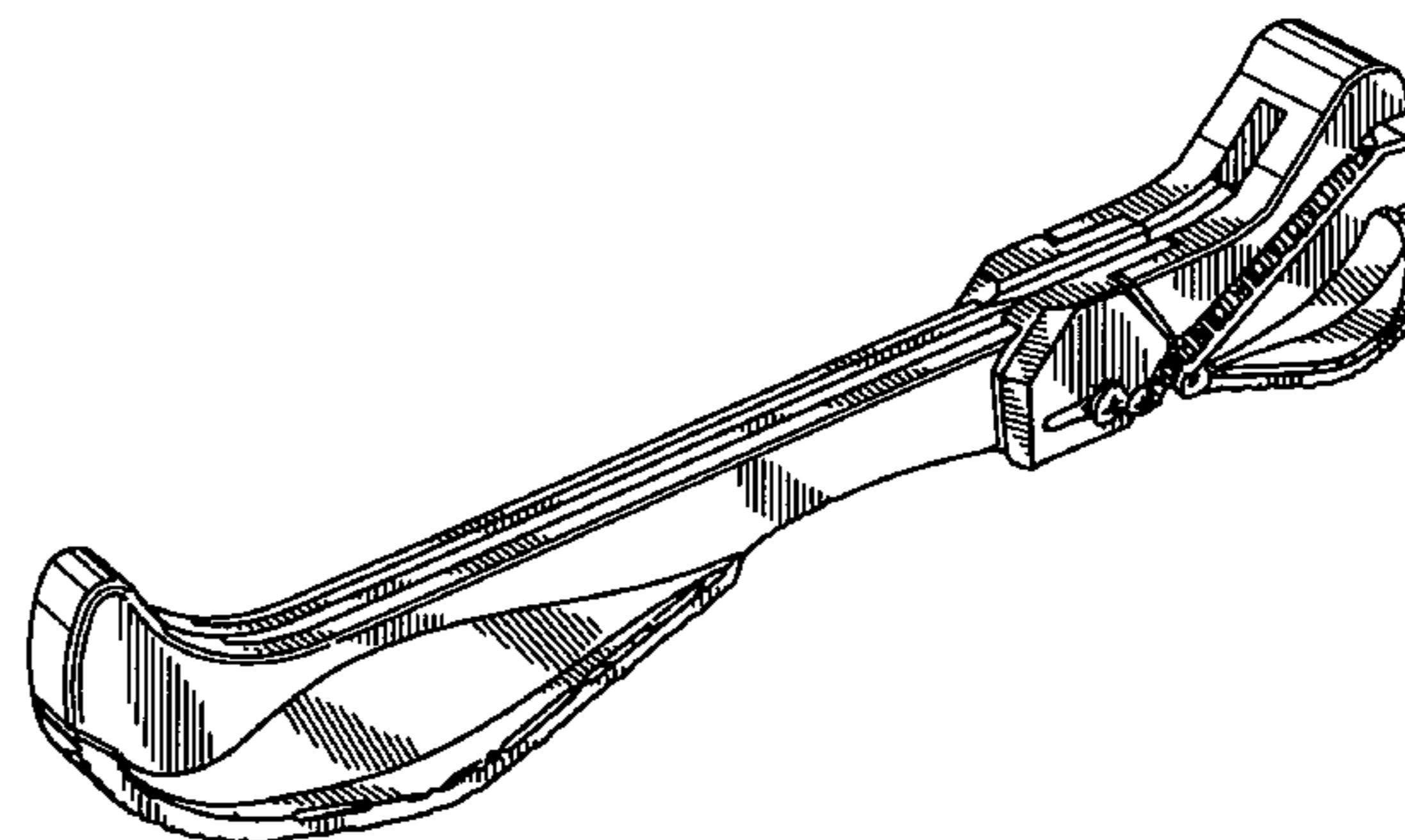
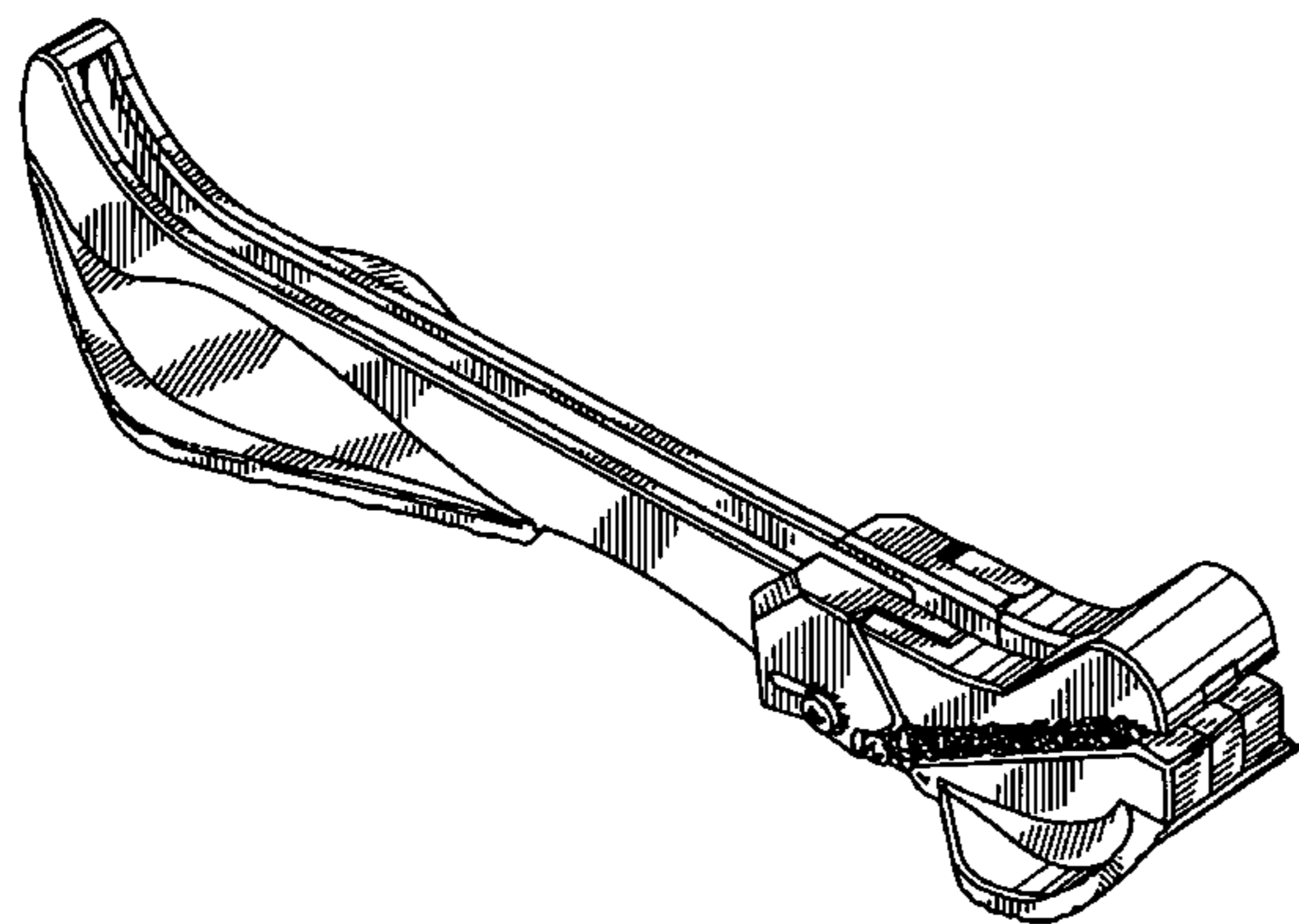
FIG. 4 is a bottom plan view thereof;

FIG. 5 is a rear elevation view thereof;

FIG. 6 is a side elevation view thereof; and,

FIG. 7 is a front elevation view thereof.

1 Claim, 2 Drawing Sheets



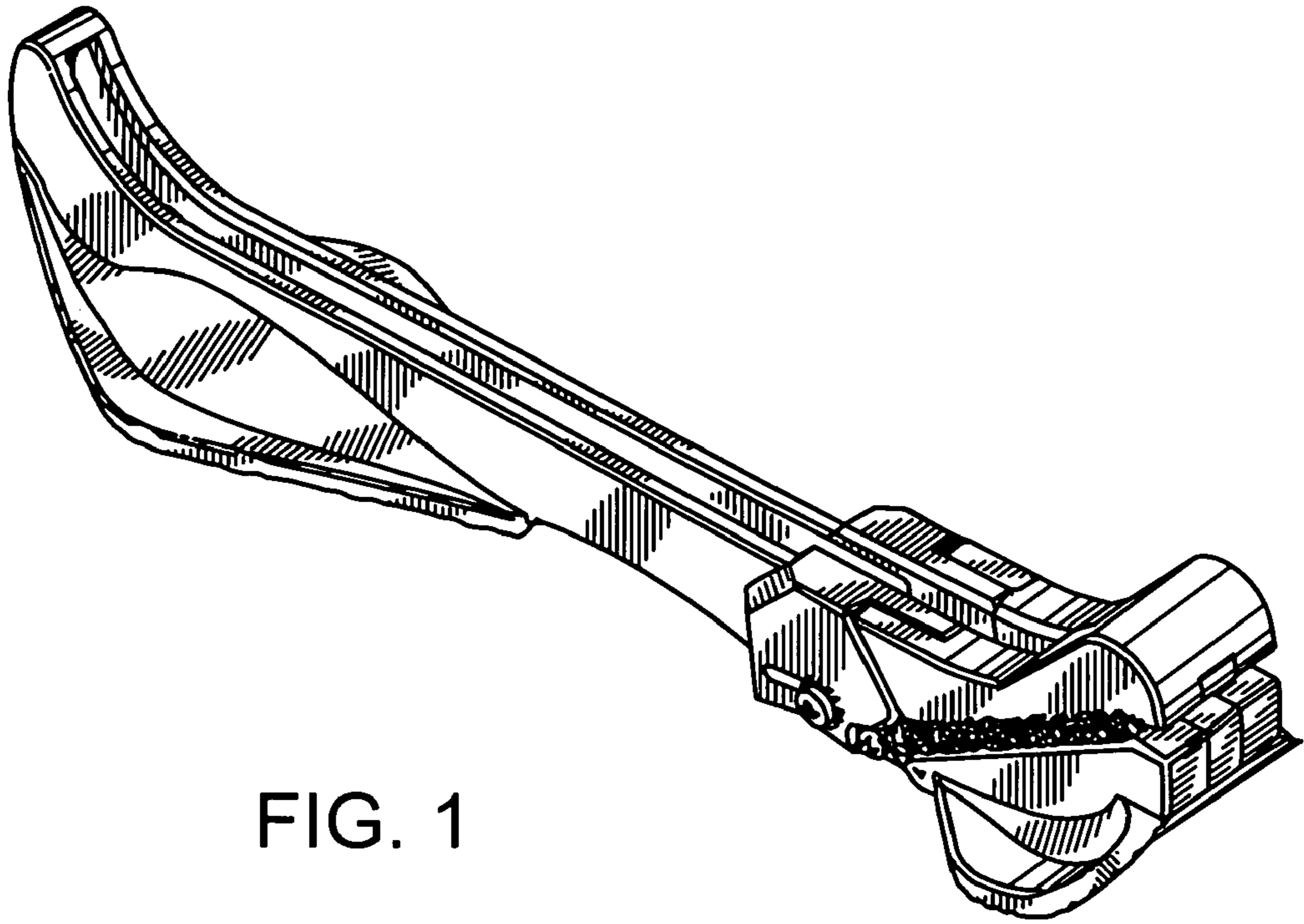


FIG. 1

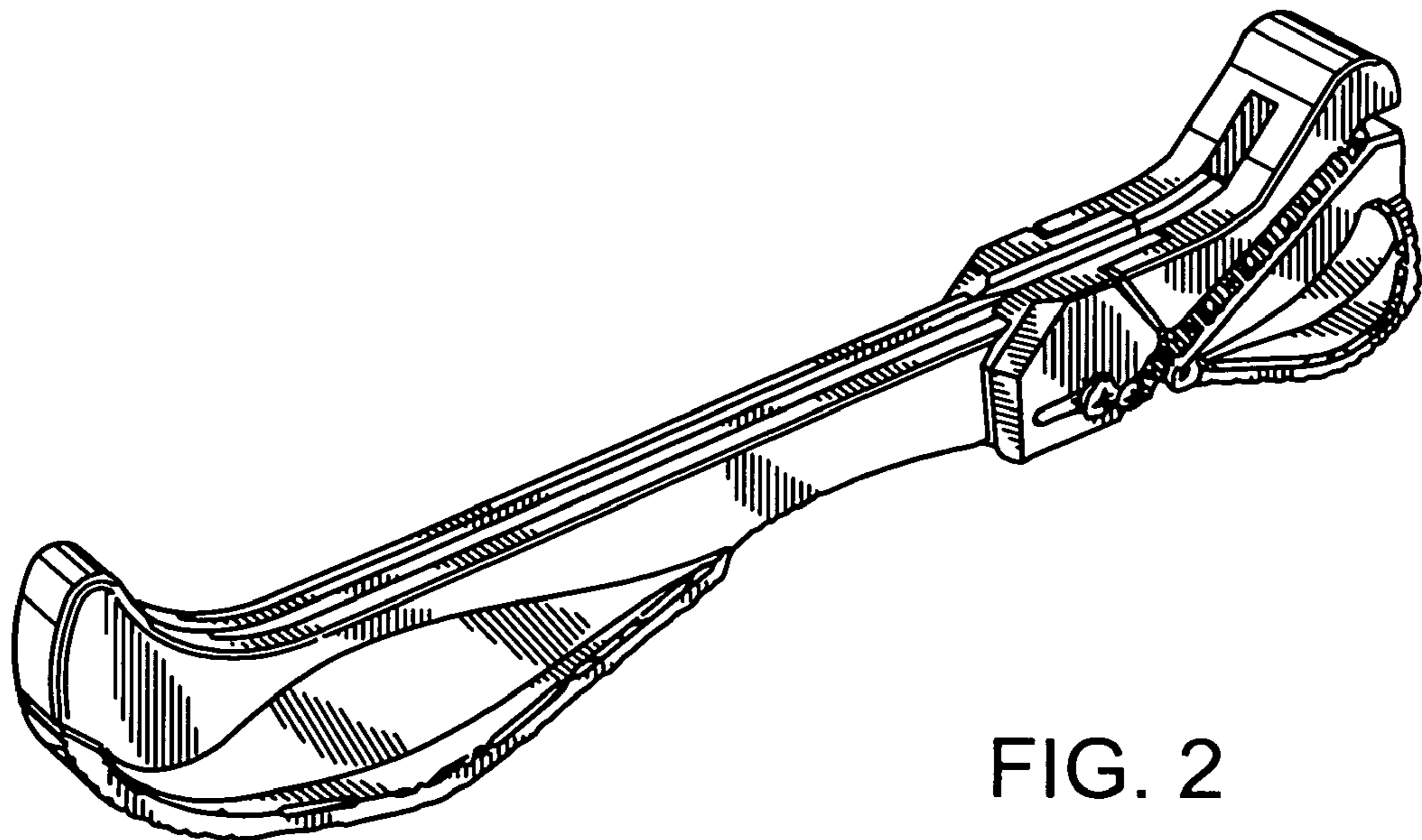


FIG. 2

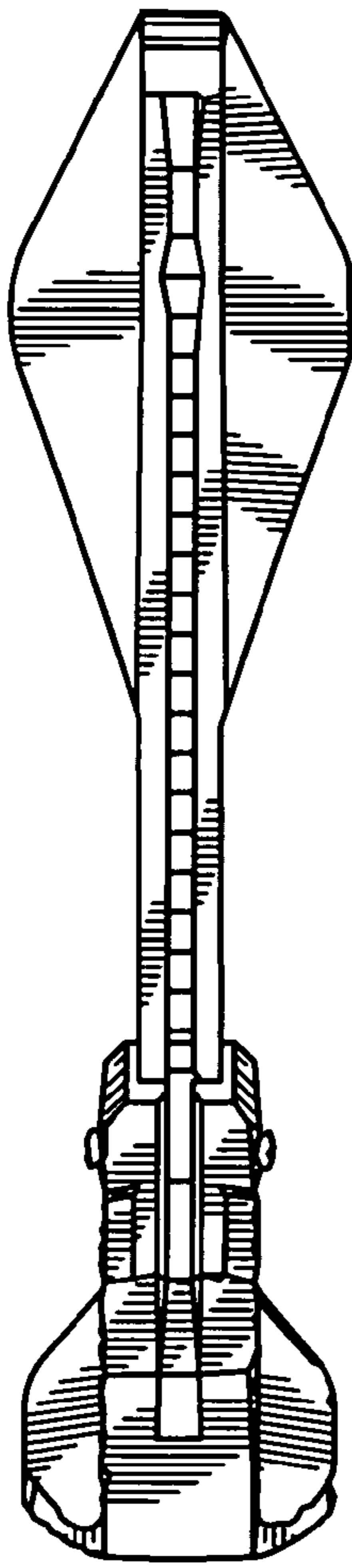


FIG. 3

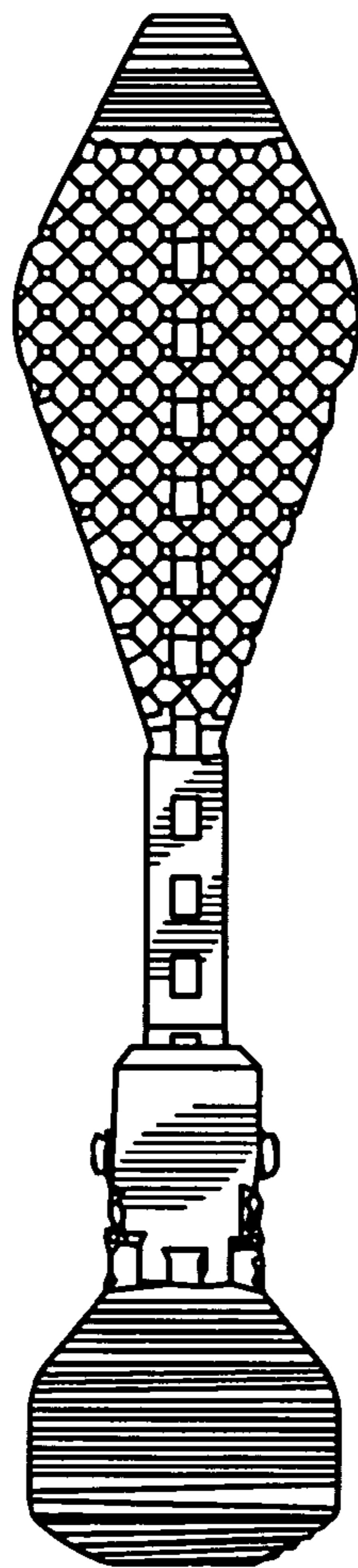


FIG. 4

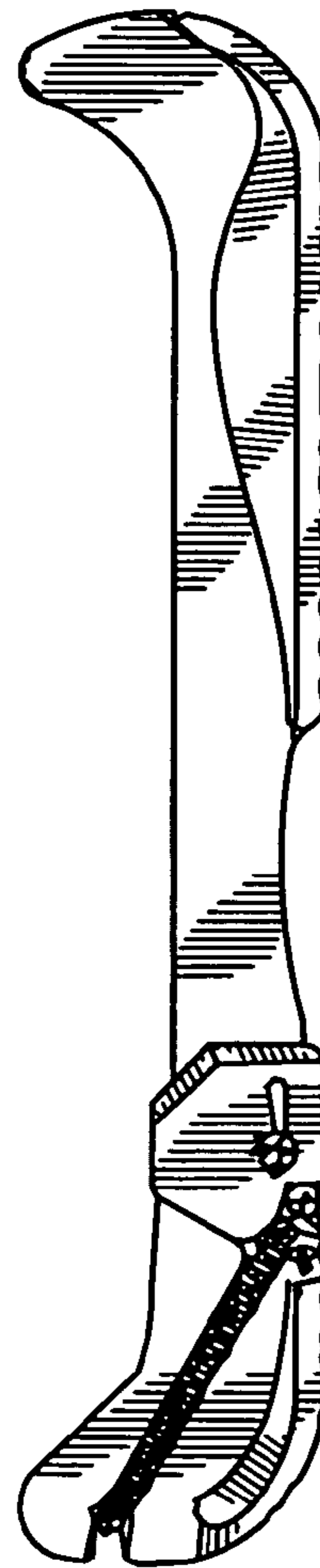


FIG. 5

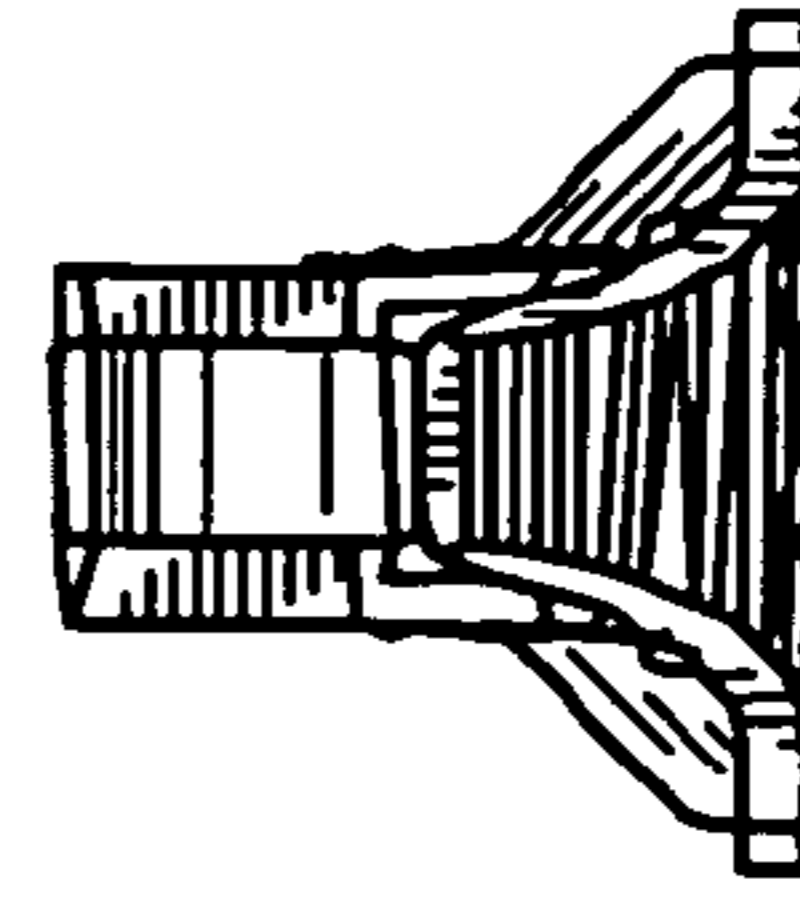


FIG. 6

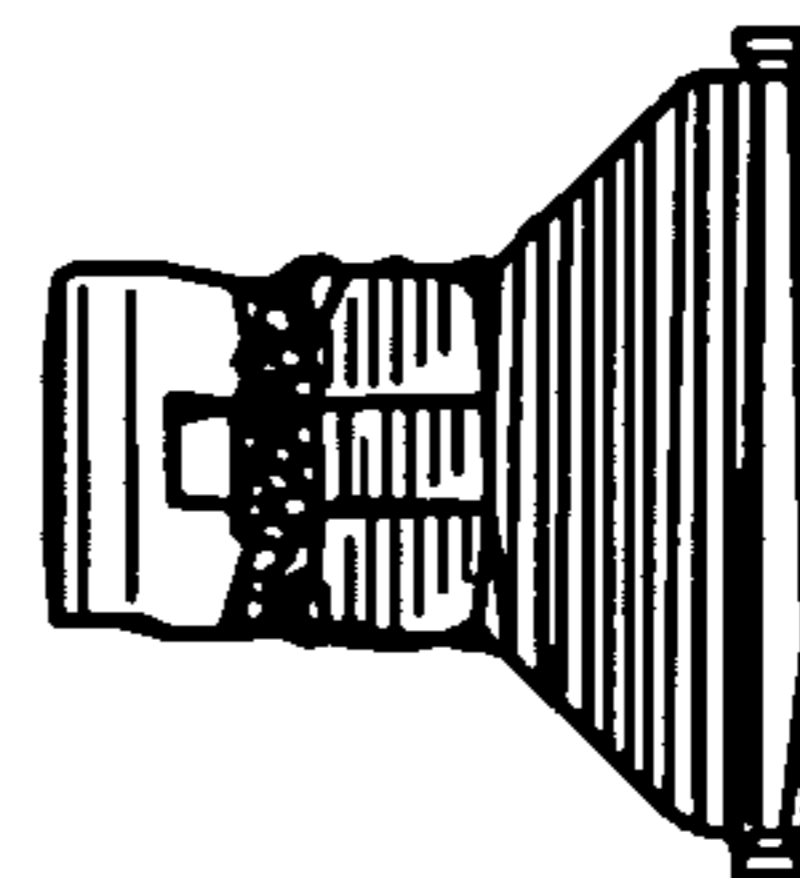


FIG. 7