



US00D633584S

(12) **United States Design Patent**
Hong

(10) **Patent No.:** **US D633,584 S**
(45) **Date of Patent:** **** Mar. 1, 2011**

(54) **FOLDABLE SKATEBOARD**

Primary Examiner—Lisa P Lichtenstein

(76) Inventor: **Thomas K. Hong**, Toronto (CA)

(57) **CLAIM**

The ornamental design for a foldable skateboard, as shown and described.

(**) Term: **14 Years**

DESCRIPTION

(21) Appl. No.: **29/313,369**

FIG. 1 is a top perspective view of the skateboard in an extended position;

(22) Filed: **Dec. 31, 2008**

FIG. 2 is a top plan view of the skateboard in an extended position;

(51) **LOC (9) Cl.** **21-02**

FIG. 3 is a bottom plan view of the skateboard in an extended position;

(52) **U.S. Cl.** **D21/765**

FIG. 4 is a left side elevational view of the skateboard in an extended position;

(58) **Field of Classification Search** D21/419,
D21/421, 424, 533, 760, 763, 764, 765, 771;
280/87.01, 87.021, 87.03, 87.041, 87.042,
280/87.05, 11.19, 11.28; 446/465, 470
See application file for complete search history.

FIG. 5 is a front end elevational view of the skateboard in an extended position;

FIG. 6 is a rear end elevational view of the skateboard in an extended position;

(56) **References Cited**

U.S. PATENT DOCUMENTS

4,133,548	A *	1/1979	Smith	280/87.041
6,131,931	A *	10/2000	Globerson et al.	280/87.042
D473,905	S *	4/2003	Schnuckle et al.	D21/765
D501,905	S *	2/2005	Ellis	D21/765
D505,470	S *	5/2005	Hong	D21/765

FIG. 7 is an enlarged bottom perspective view of the skateboard in a folded position;

FIG. 8 is a bottom plan view of the skateboard in a folded position;

FIG. 9 is a top plan view of the skateboard in a folded position;

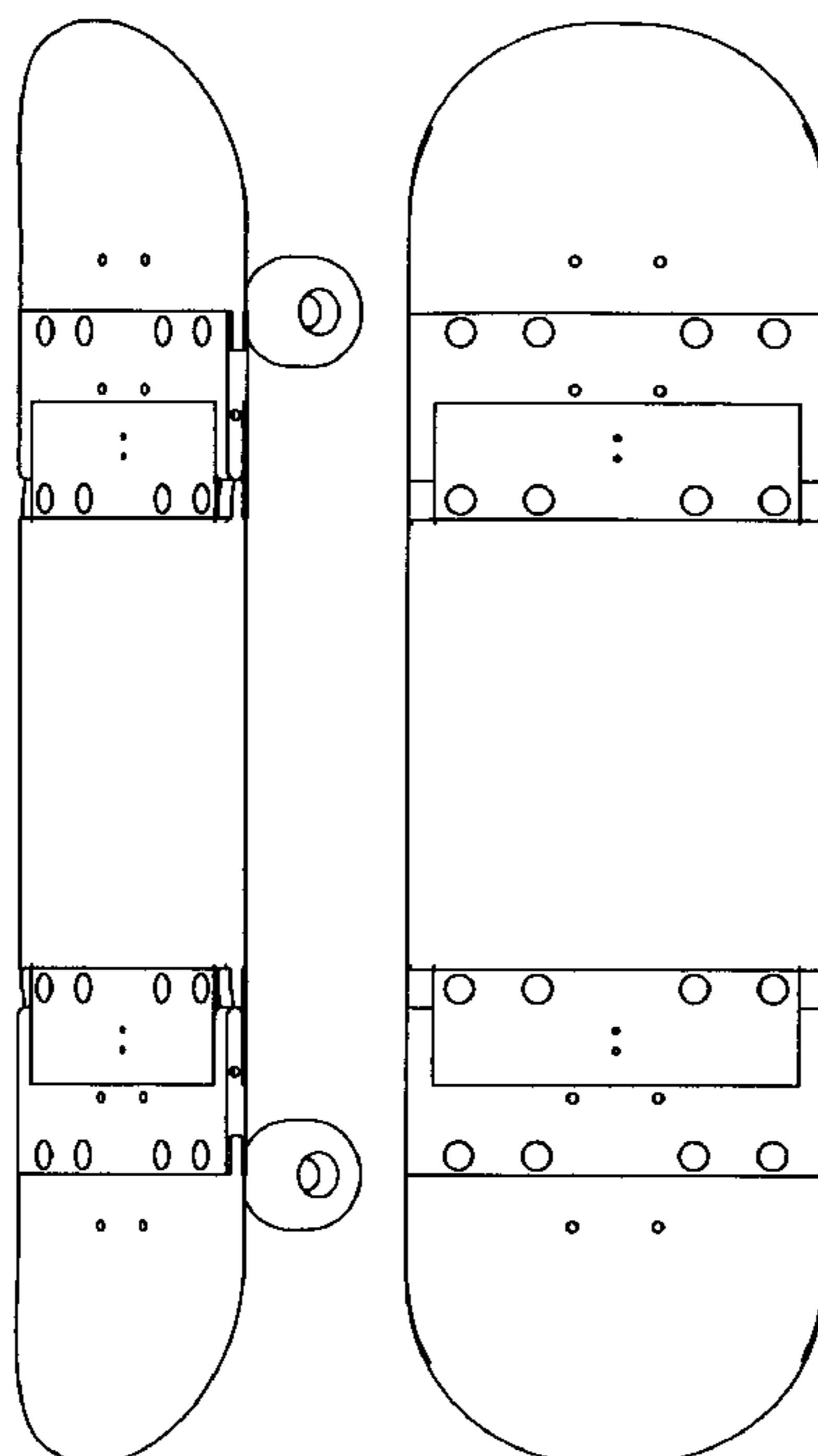
FIG. 10 is an enlarged right side elevational view of the skateboard in a folded position;

FIG. 11 is an enlarged front end elevational view of the skateboard in a folded position; and,

FIG. 12 is an enlarged rear end elevational view of the skateboard in a folded position.

* cited by examiner

1 Claim, 5 Drawing Sheets



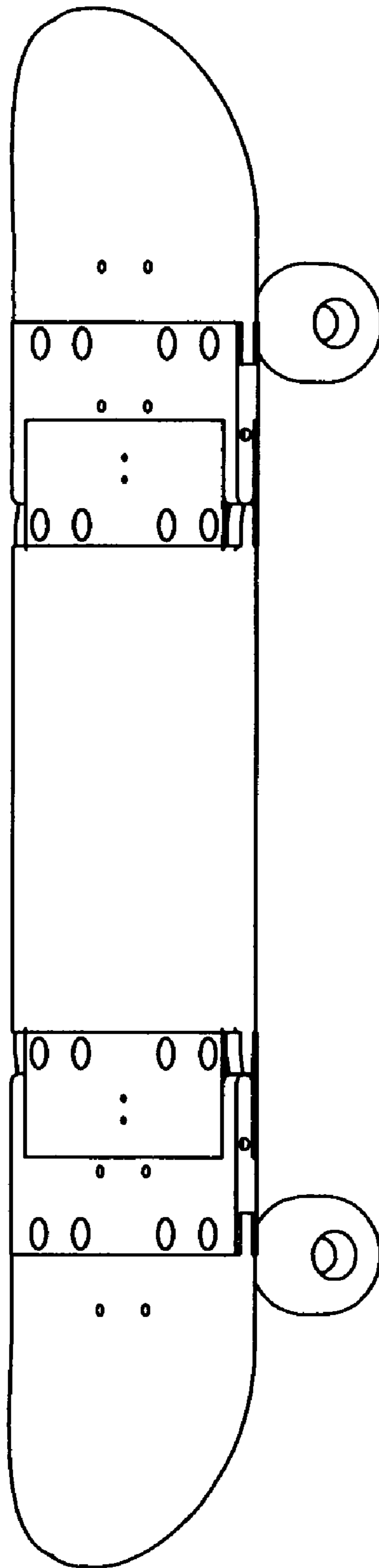


FIG. 1

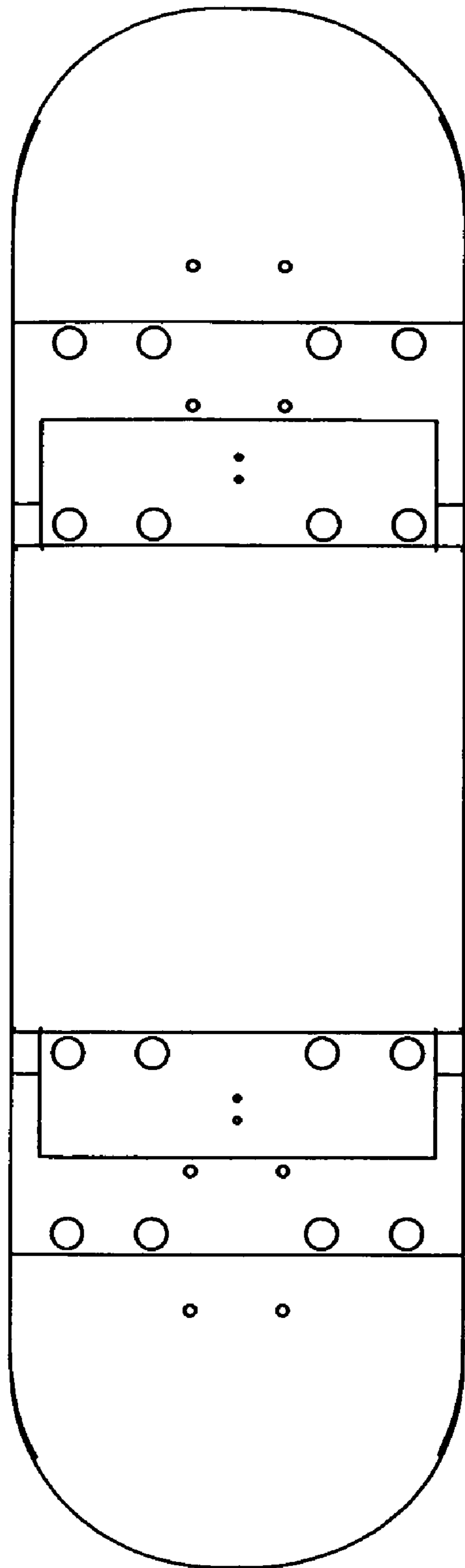


FIG. 2

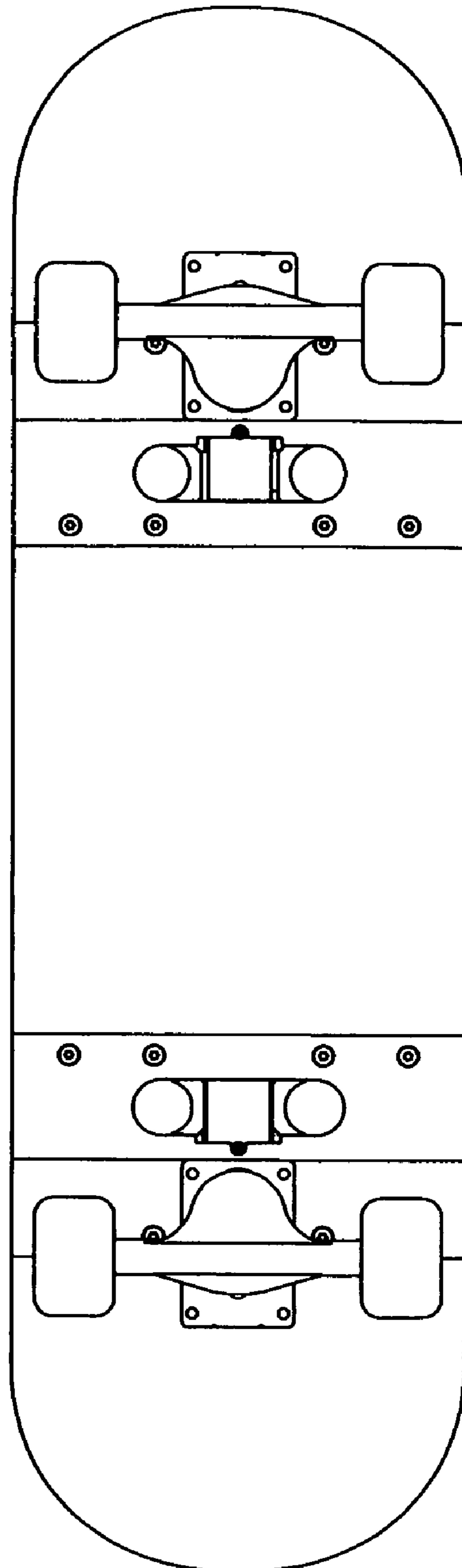


FIG. 3

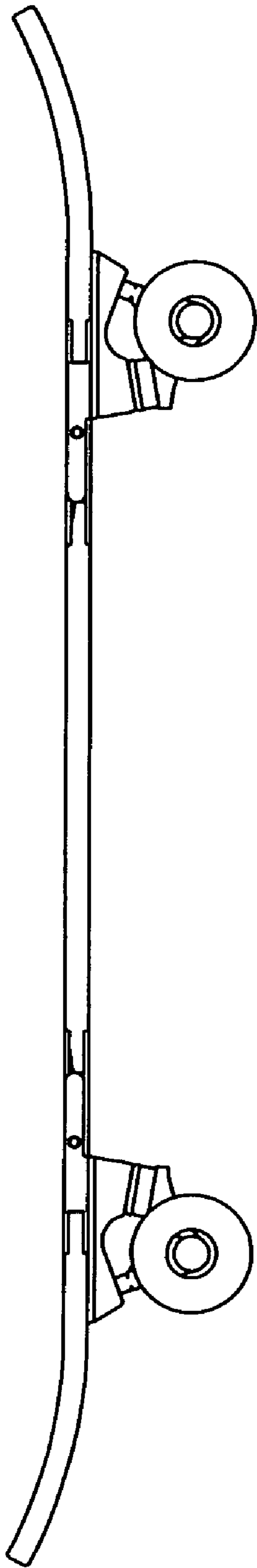


FIG. 4

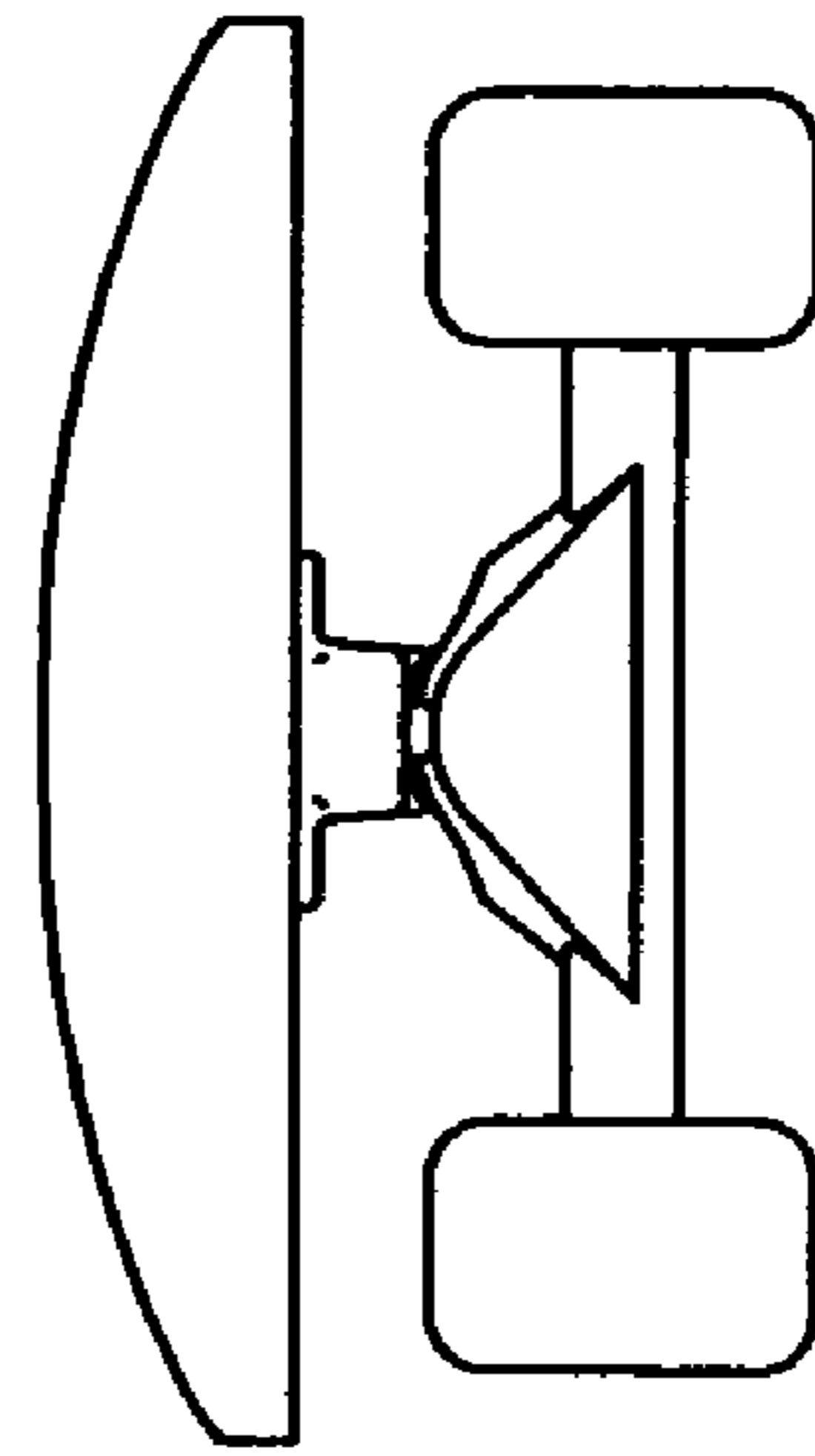


FIG. 5

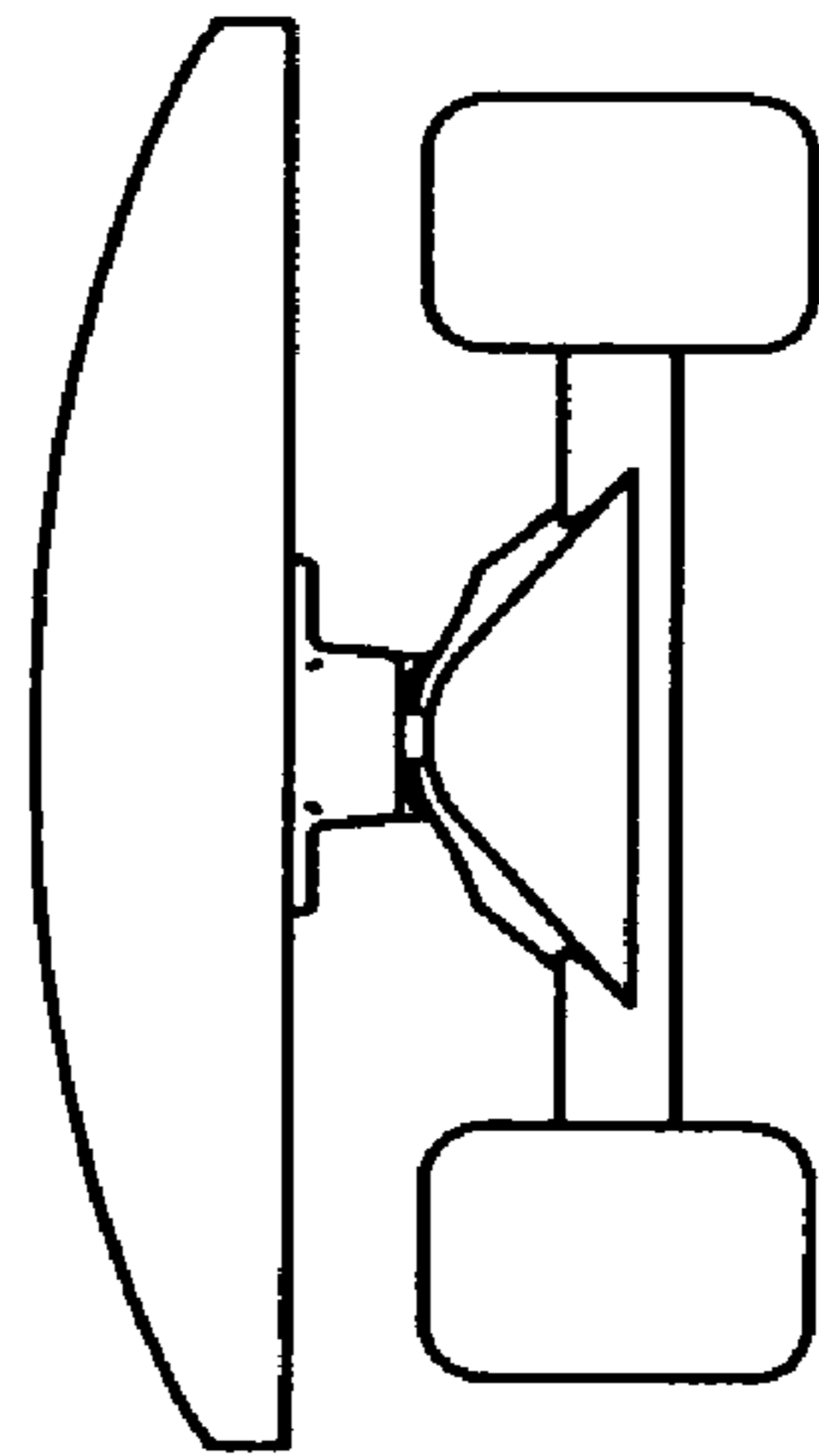


FIG. 6

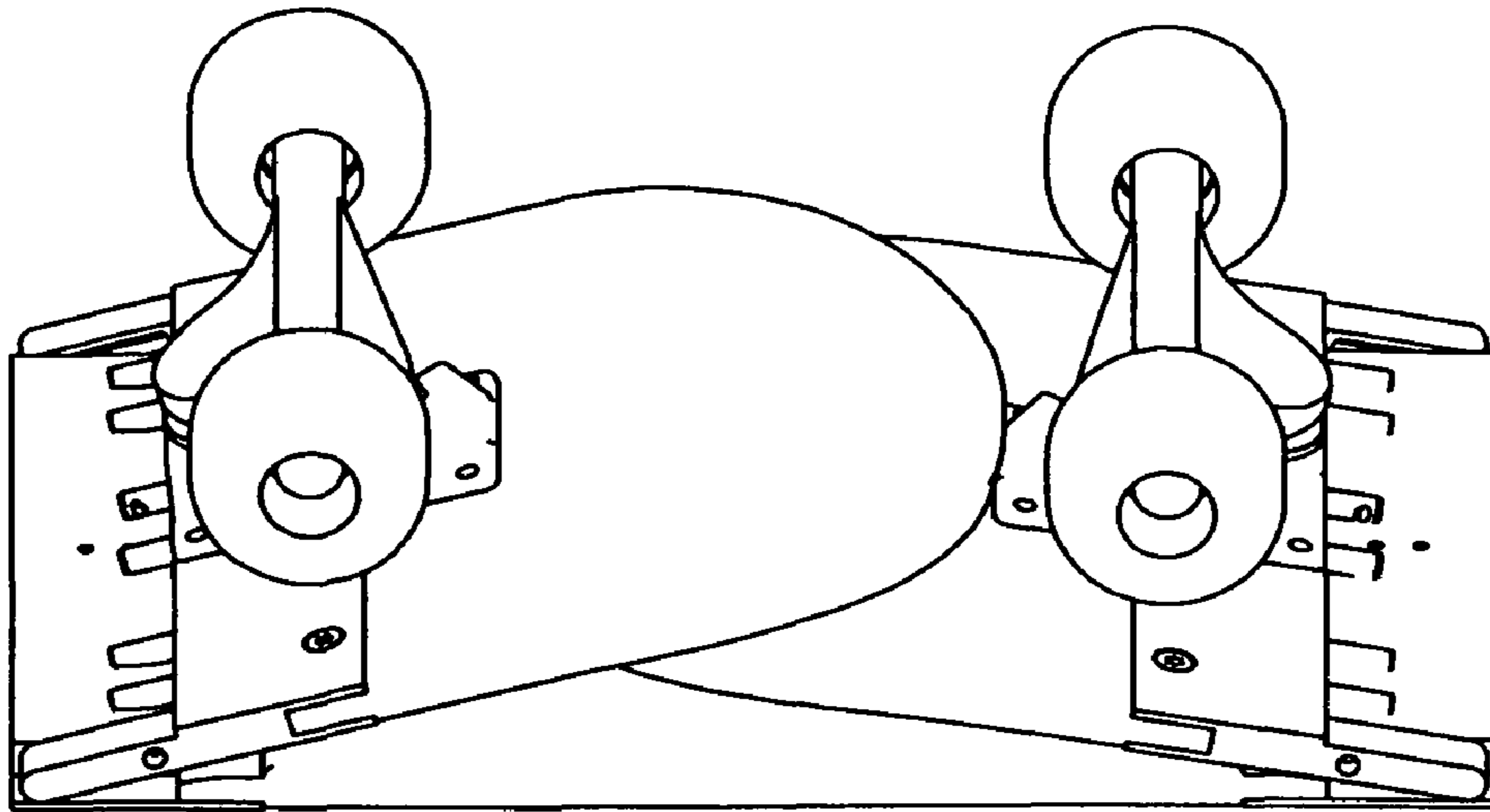


FIG. 7

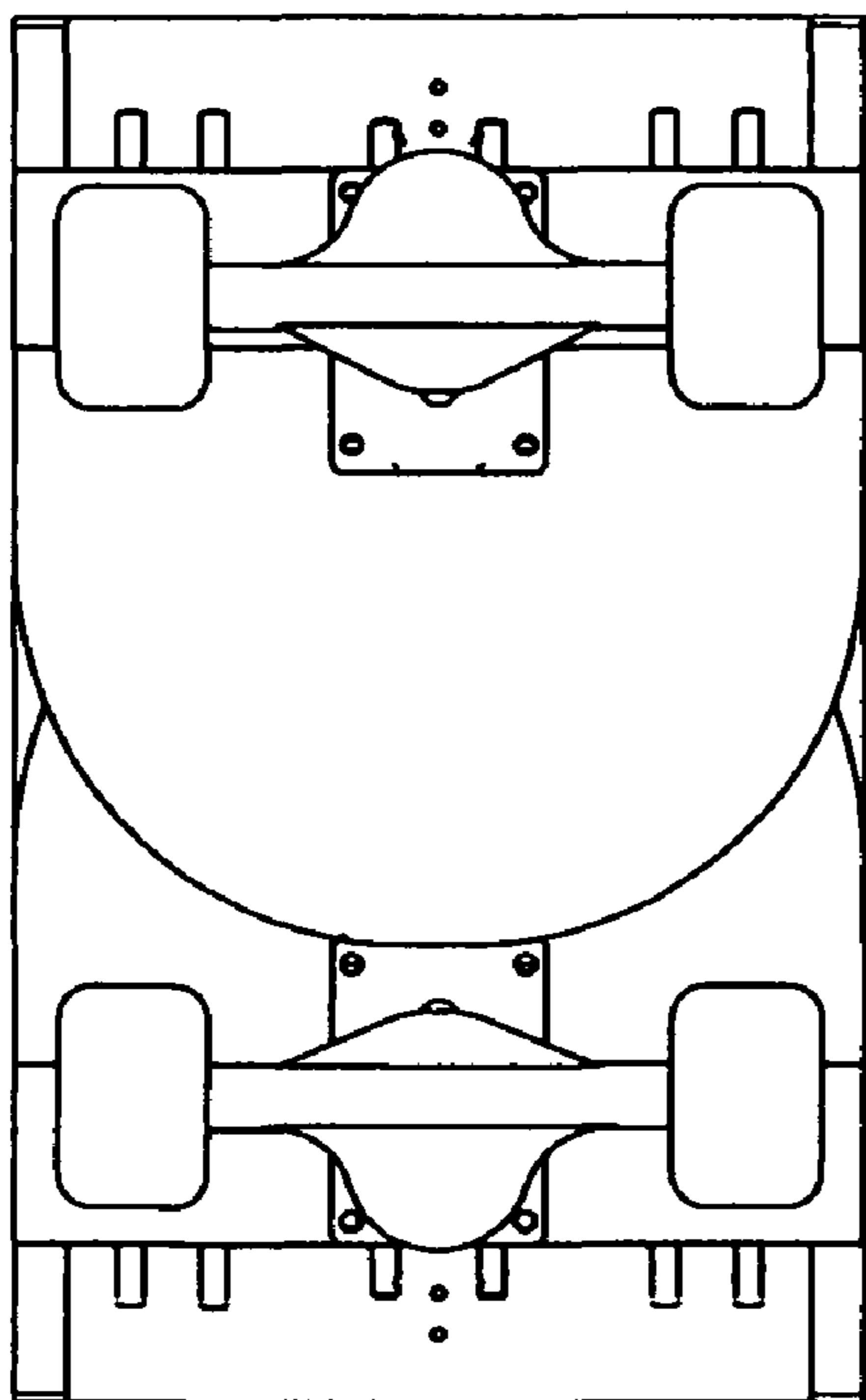


FIG. 8

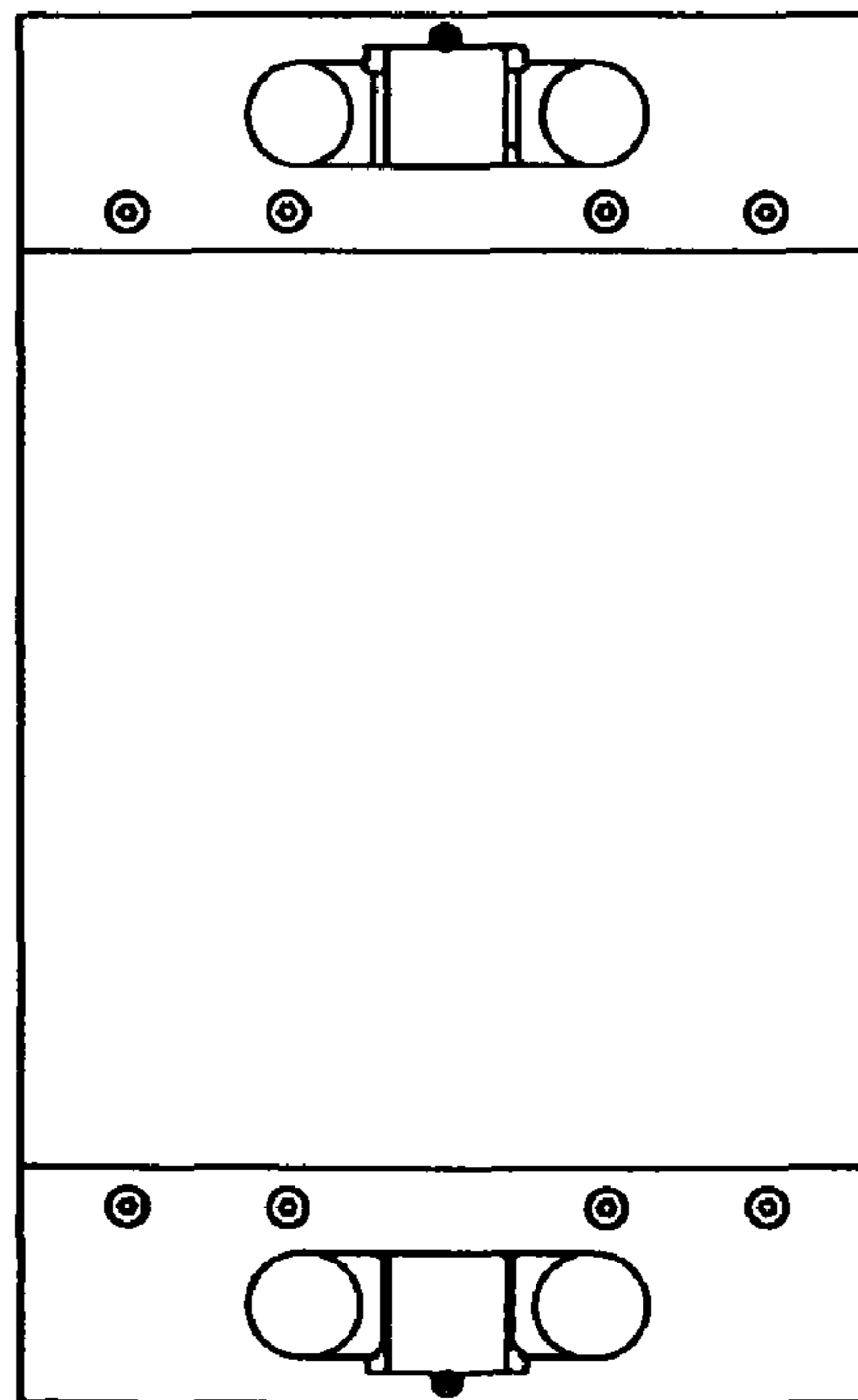


FIG. 9

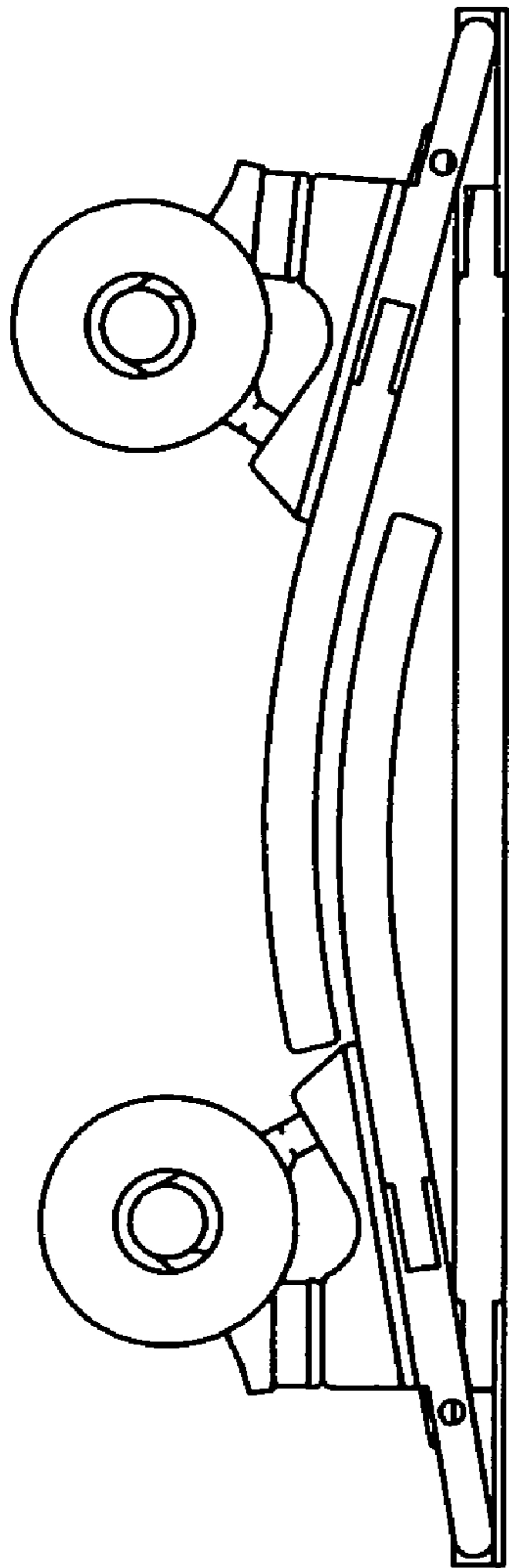


FIG. 10

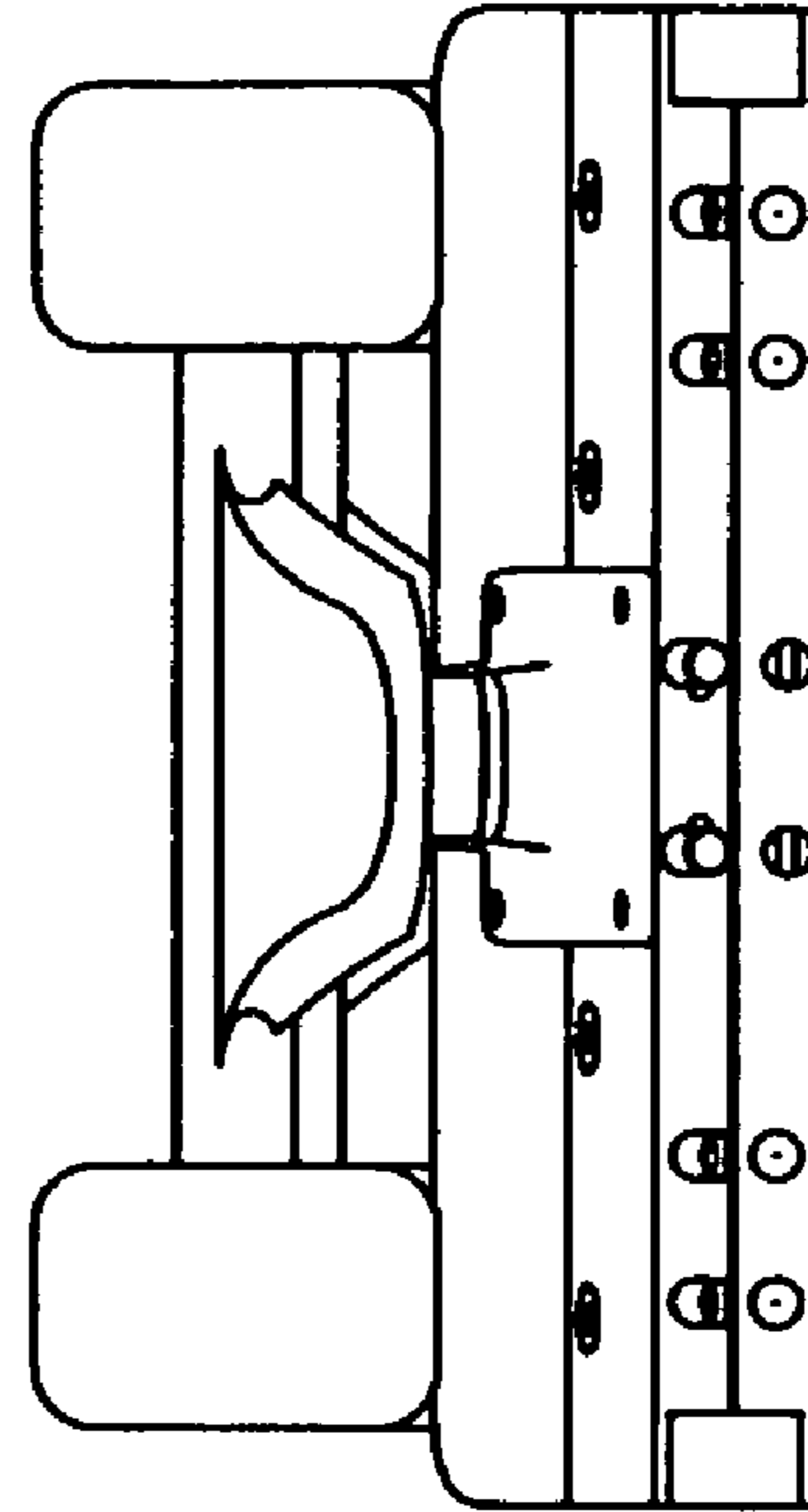


FIG. 11

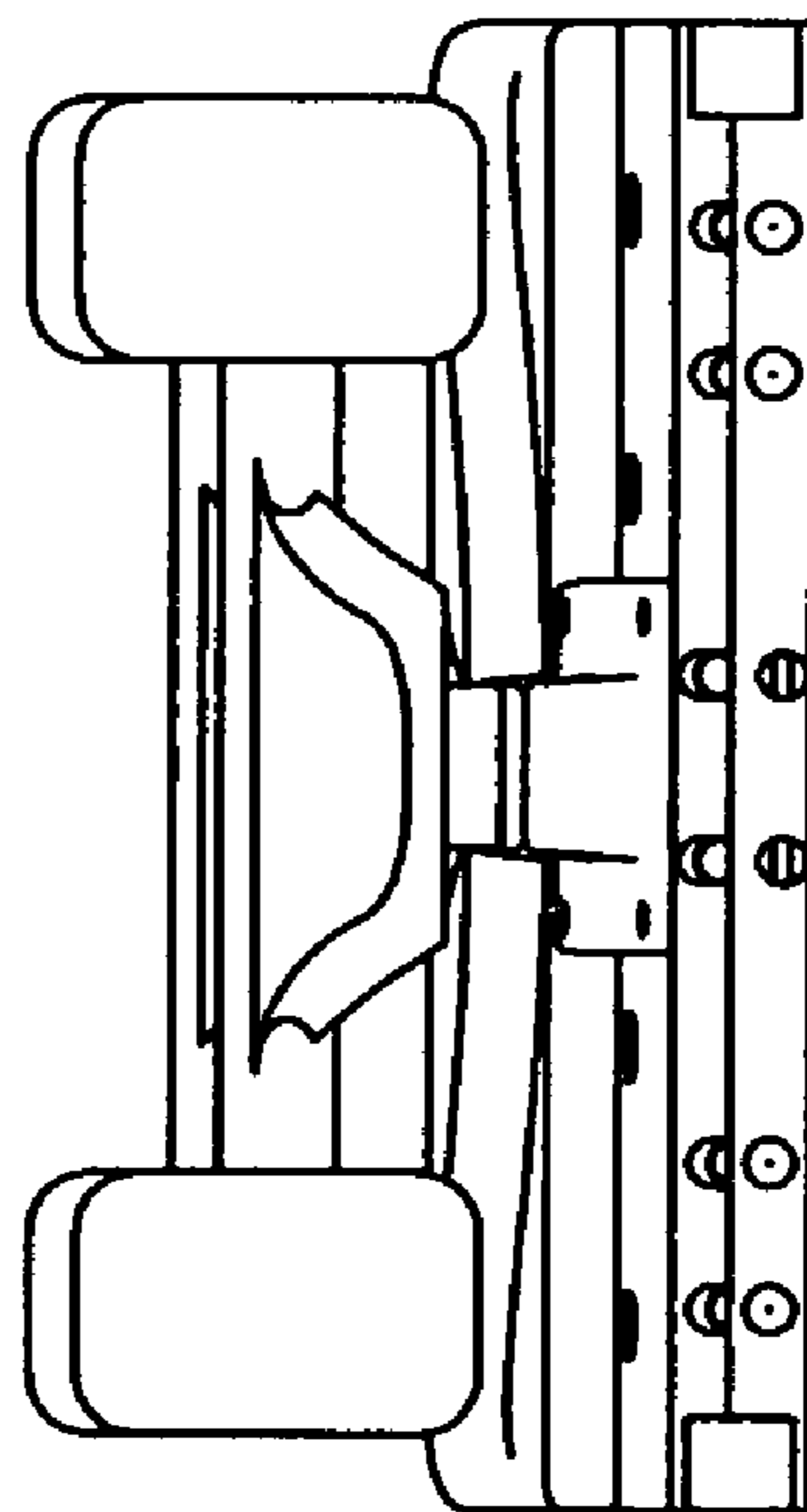


FIG. 12