



US00D633583S

(12) **United States Design Patent**
Guevara

(10) **Patent No.:** **US D633,583 S**
(45) **Date of Patent:** **** Mar. 1, 2011**

(54) **BATTING TEE**

(76) Inventor: **Rich S. Guevara**, Taylorsville, UT (US)

(**) Term: **14 Years**

(21) Appl. No.: **29/348,711**

(22) Filed: **Jan. 29, 2010**

(51) **LOC (9) Cl.** **21-02**

(52) **U.S. Cl.** **D21/717**

(58) **Field of Classification Search** D21/698,
D21/715-720, 780; 473/415-504
See application file for complete search history.

(56) **References Cited**

U.S. PATENT DOCUMENTS

3,183,000	A *	5/1965	Dix	473/417
3,489,411	A *	1/1970	Morelli	473/417
3,858,878	A	1/1975	Tassone		
4,227,691	A	10/1980	Lefebvre et al.		
4,456,250	A	6/1984	Perrone, Jr.		
4,664,374	A	5/1987	Groves		
4,830,371	A	5/1989	Lay		
4,938,478	A	7/1990	Lay		
4,976,431	A *	12/1990	Guenther	473/417
5,388,823	A	2/1995	Prieto		
5,435,545	A	7/1995	Marotta		
D365,128	S *	12/1995	Testasecca et al.	D21/309
5,494,278	A *	2/1996	Linden	473/427
5,618,039	A *	4/1997	Tsai et al.	473/423
5,797,810	A *	8/1998	Sandoval	473/423
5,928,092	A	7/1999	Keeter et al.		
D430,243	S *	8/2000	Alberti et al.	D21/715
D430,629	S *	9/2000	Alberti	D21/719
6,358,163	B1	3/2002	Tanner		
6,884,185	B2	4/2005	Udwin et al.		
7,226,372	B2	6/2007	Flanigan		
7,354,360	B1	4/2008	Eckstein		
2003/0032506	A1 *	2/2003	Chi	473/417

2006/0019773	A1	1/2006	Newman		
2007/0082762	A1	4/2007	Falgoust		
2008/0085787	A1	4/2008	Molloy et al.		
2010/0056306	A1 *	3/2010	Chen	473/417

* cited by examiner

Primary Examiner—Catherine Tuttle

(74) *Attorney, Agent, or Firm*—Morris O’Bryant Compagni

(57) **CLAIM**

The ornamental design for the batting tee, as shown and described herein.

DESCRIPTION

This U.S. design patent application is related to contemporaneously filed U.S. nonprovisional patent application Ser. No. 12/657,894, filed Jan. 29, 2010, titled “Batting Tee”, the contents of which are incorporated herein by reference for all purposes.

FIG. 1 is a perspective view of the batting tee in a first height configuration;

FIG. 2 is a perspective view of the batting tee in a second height configuration;

FIG. 3 is a perspective view of the batting tee in a third height configuration;

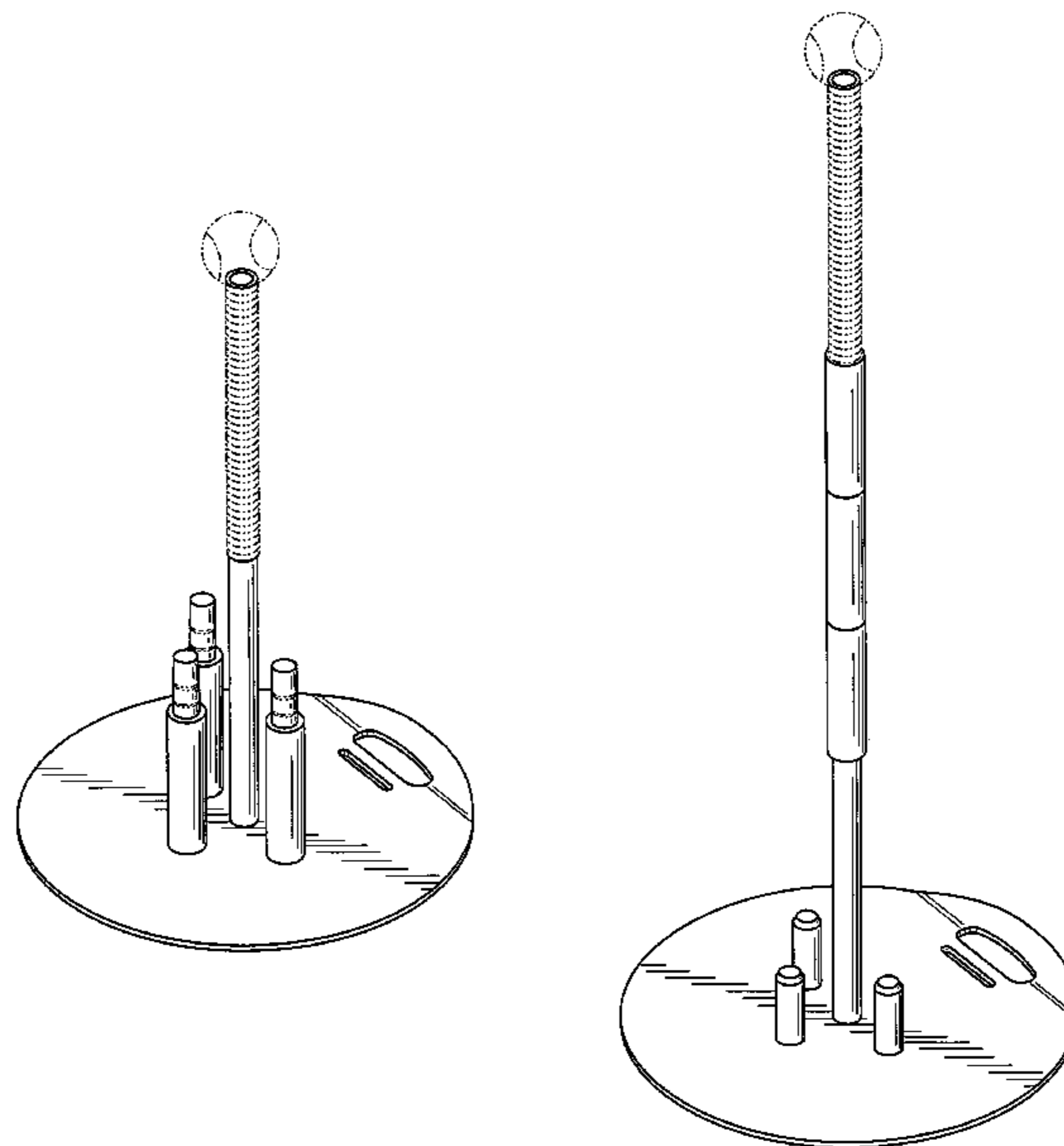
FIG. 4 is a perspective view of the batting tee in a fourth height configuration;

FIG. 5 is a top view of the base plate portion of the batting tee shown separately for a completed disclosure of the parts that are concealed in the preceding FIGS.; and,

FIG. 6 is a side view of FIG. 5.

The broken lines are included for the purpose of illustrating portions of the batting tee and an associated ball that form no part of the design.

1 Claim, 5 Drawing Sheets



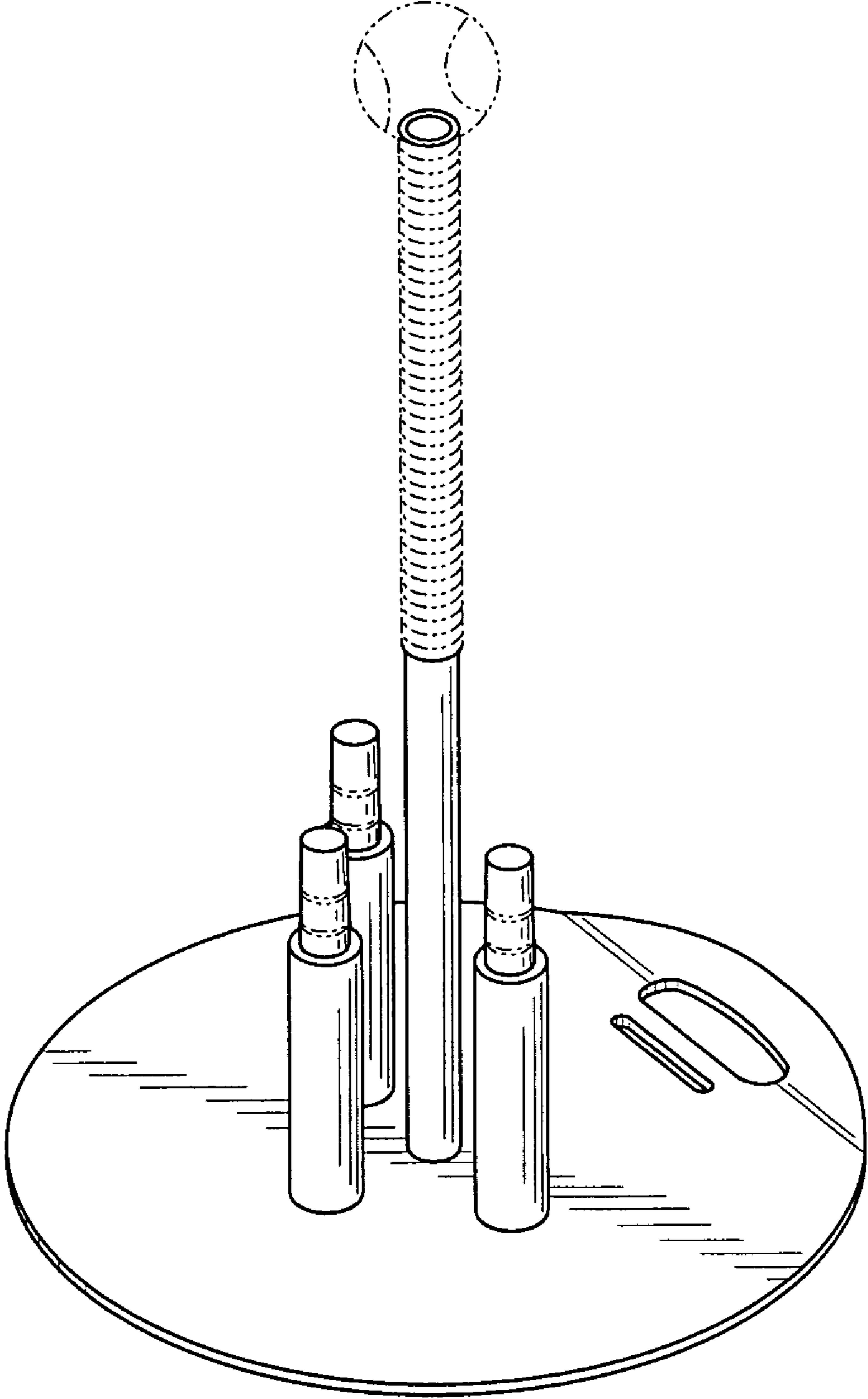


FIG. 1

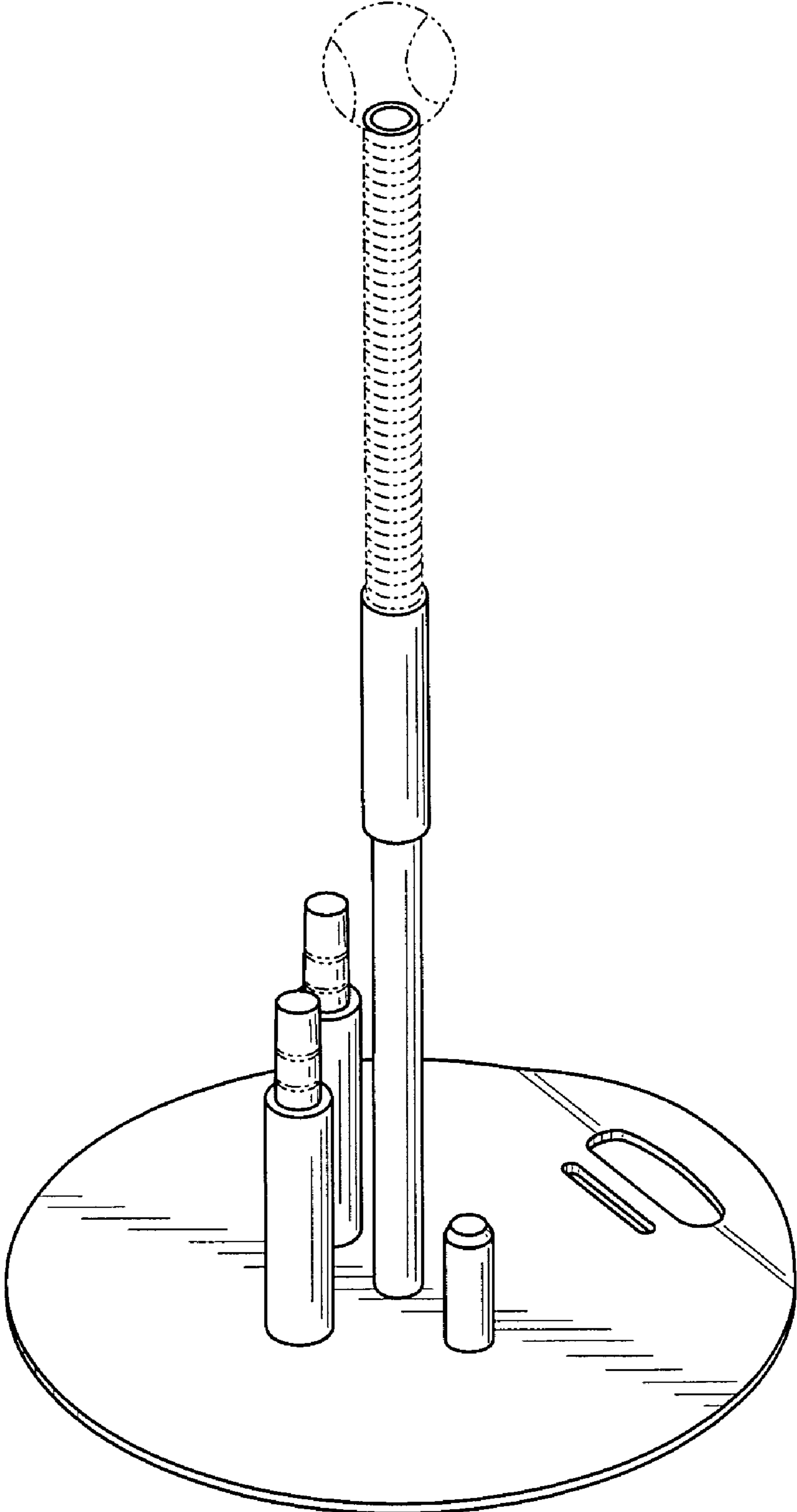


FIG. 2

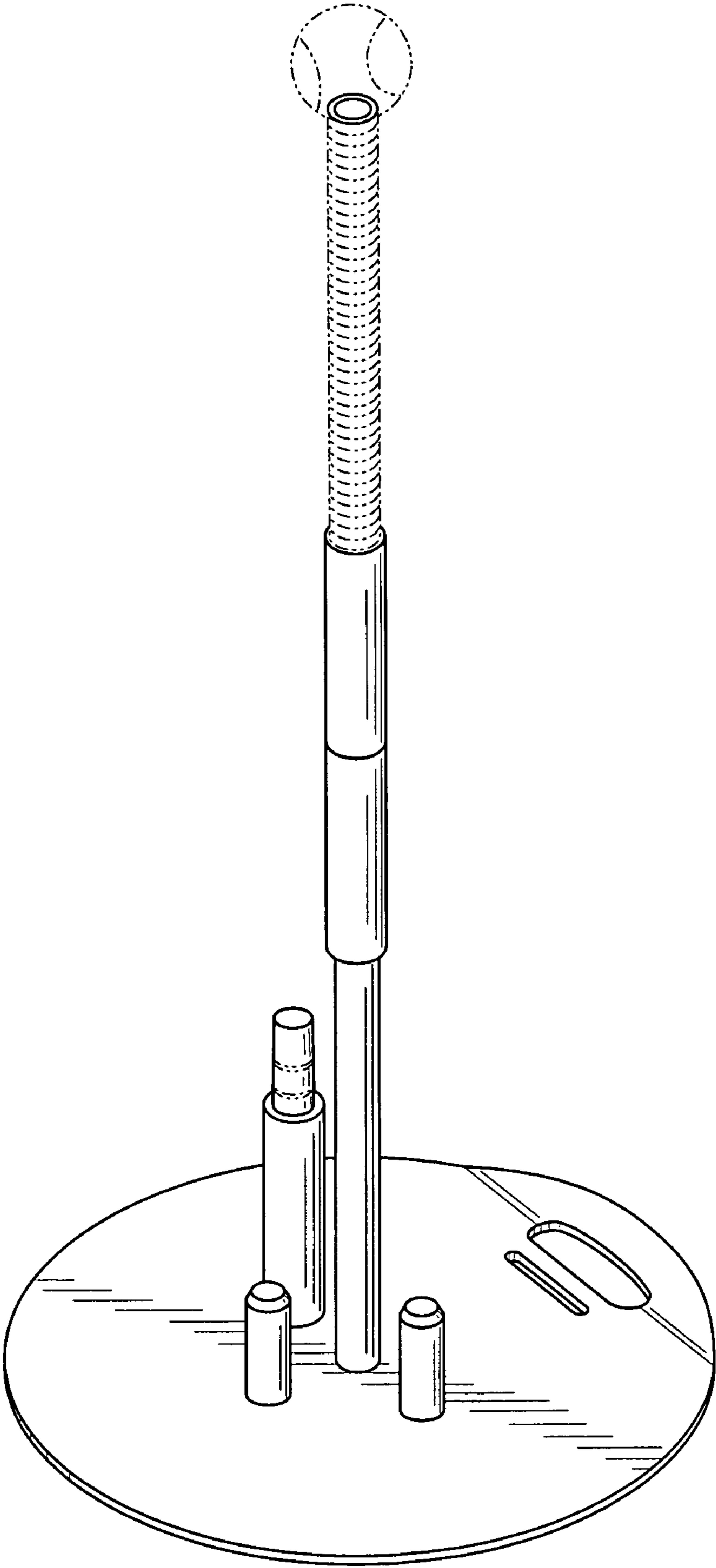


FIG. 3

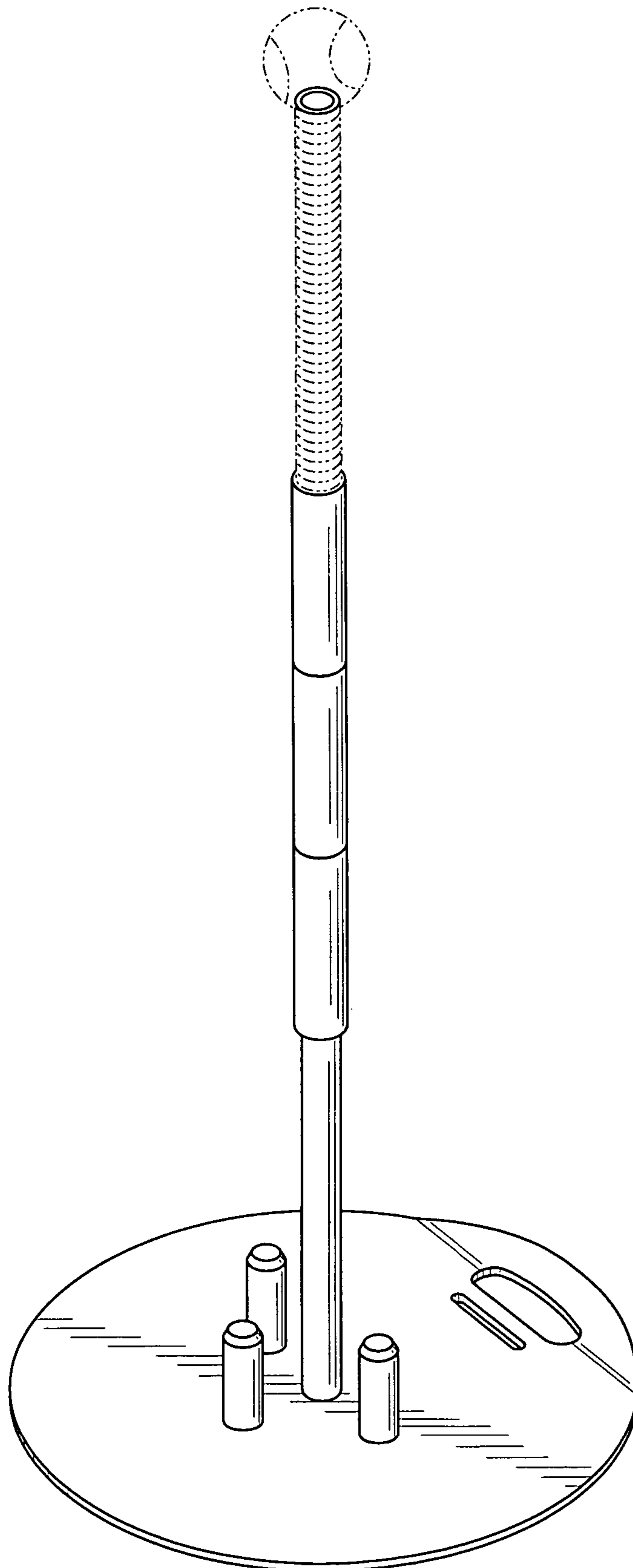


FIG. 4

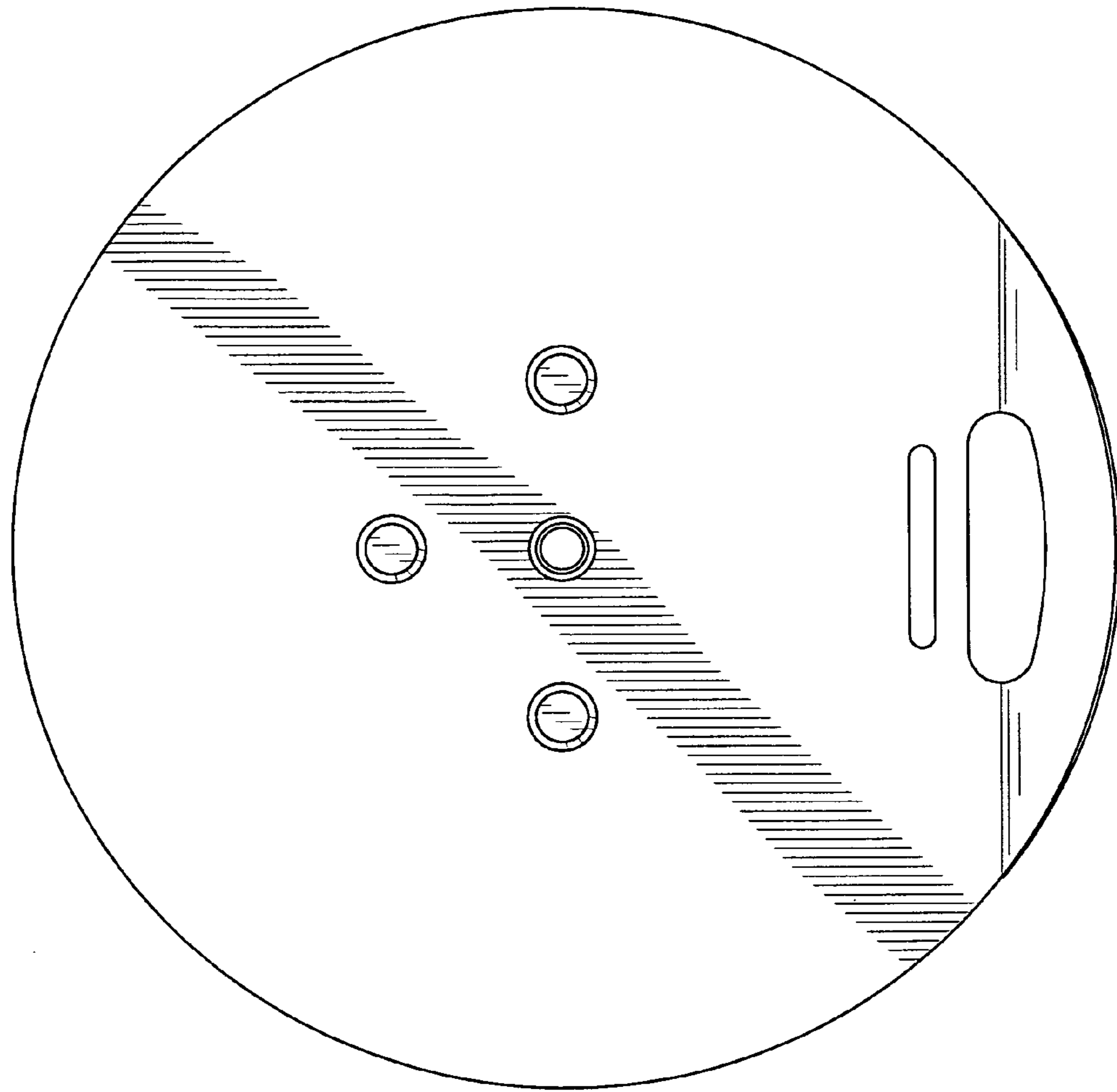


FIG. 5

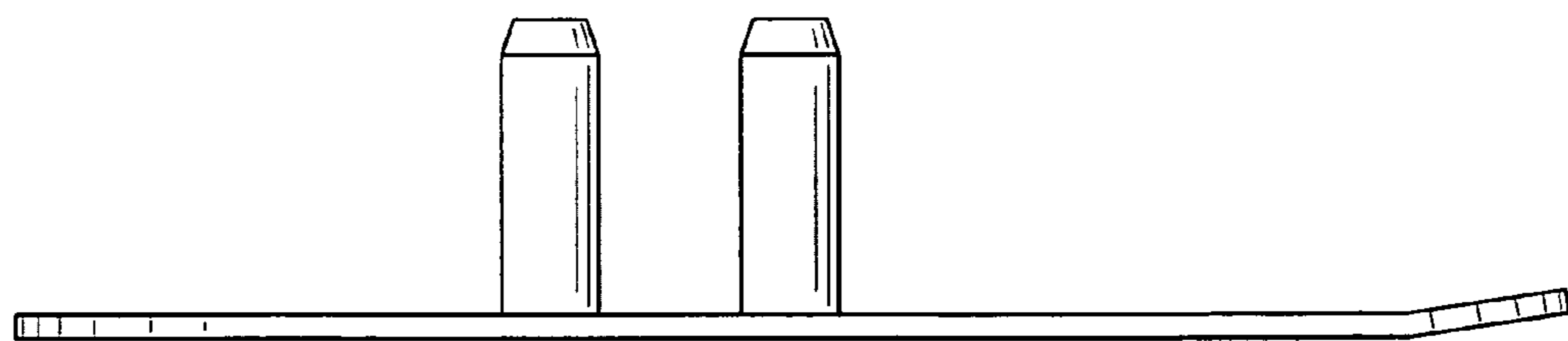


FIG. 6