



US00D633582S

(12) **United States Design Patent**
Loucks et al.

(10) **Patent No.:** **US D633,582 S**
(45) **Date of Patent:** **** Mar. 1, 2011**

(54) **SEAT CUSHION**

(75) Inventors: **Zachary Jason Loucks**, Mt. Pleasant, MI (US); **Brian David Rogers**, Sanford, MI (US)

(73) Assignee: **Rogers Athletic Company**, Clare, MI (US)

(**) Term: **14 Years**

(21) Appl. No.: **29/336,469**

(22) Filed: **May 4, 2009**

(51) **LOC (9) Cl.** **21-02**

(52) **U.S. Cl.** **D21/695; D6/601**

(58) **Field of Classification Search** D21/662,
D21/673-676, 686, 690-691, 694; 482/94,
482/97, 100, 124, 135, 138, 140, 142, 144-145;
D6/334, 356, 366, 500, 502, 601; 297/452.26;
5/653

See application file for complete search history.

(56) **References Cited**

U.S. PATENT DOCUMENTS

| | | | | | |
|-----------|-----|---------|---------|-------|---------|
| 4,872,670 | A * | 10/1989 | Nichols | | 482/135 |
| D321,025 | S * | 10/1991 | Jones | | D21/676 |
| D321,026 | S * | 10/1991 | Jones | | D21/676 |
| D321,027 | S * | 10/1991 | Jones | | D21/676 |
| D321,028 | S * | 10/1991 | Jones | | D21/676 |

| | | | | | |
|--------------|------|---------|-----------------|-------|---------|
| D321,390 | S * | 11/1991 | Jones | | D21/676 |
| 5,554,084 | A * | 9/1996 | Jones | | 482/97 |
| 5,554,089 | A * | 9/1996 | Jones | | 482/97 |
| 5,554,090 | A * | 9/1996 | Jones | | 482/97 |
| 5,788,615 | A * | 8/1998 | Jones | | 482/97 |
| 6,203,474 | B1 * | 3/2001 | Jones | | 482/97 |
| 6,220,993 | B1 * | 4/2001 | Sencil | | 482/97 |
| 6,910,994 | B2 * | 6/2005 | Mitchell et al. | | 482/100 |
| 6,913,565 | B2 * | 7/2005 | Mitchell et al. | | 482/100 |
| 7,128,694 | B1 * | 10/2006 | Fulks | | 482/94 |
| 7,662,075 | B2 * | 2/2010 | Isom | | 482/97 |
| 2009/0029834 | A1 * | 1/2009 | Isom | | 482/96 |

* cited by examiner

Primary Examiner—Susan E Krakower

(74) *Attorney, Agent, or Firm*—Carlson Gaskey & Olds PC

(57) **CLAIM**

The ornamental design for a seat cushion, as shown and described.

DESCRIPTION

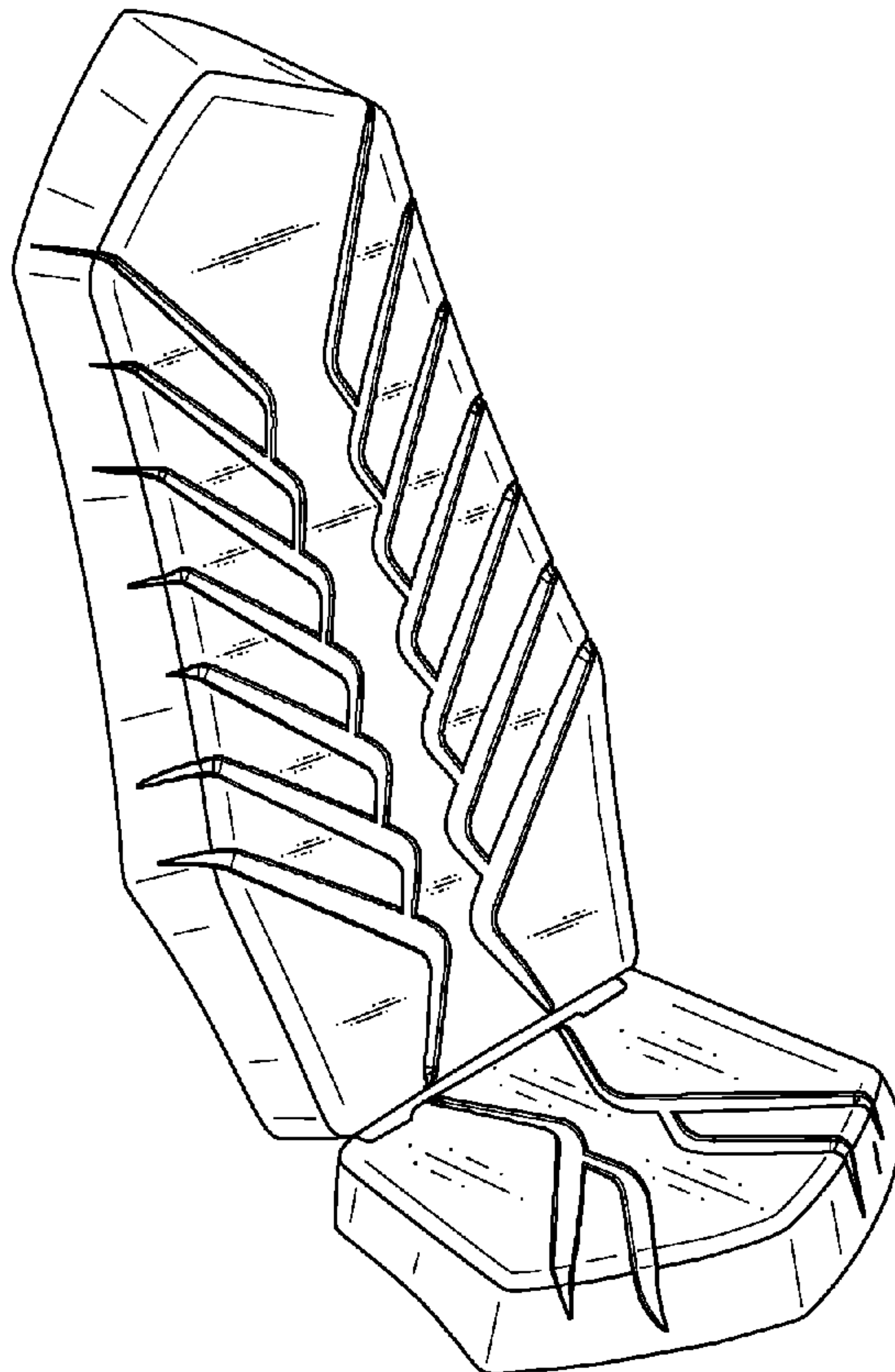
FIG. 1 is a perspective view of a seat cushion of the present invention;

FIG. 2 is a side view of the seat cushion of FIG. 1;

FIG. 3 is a top view of the seat cushion of FIG. 1; and,

FIG. 4 is a front view of the seat cushion of FIG. 1.

1 Claim, 2 Drawing Sheets



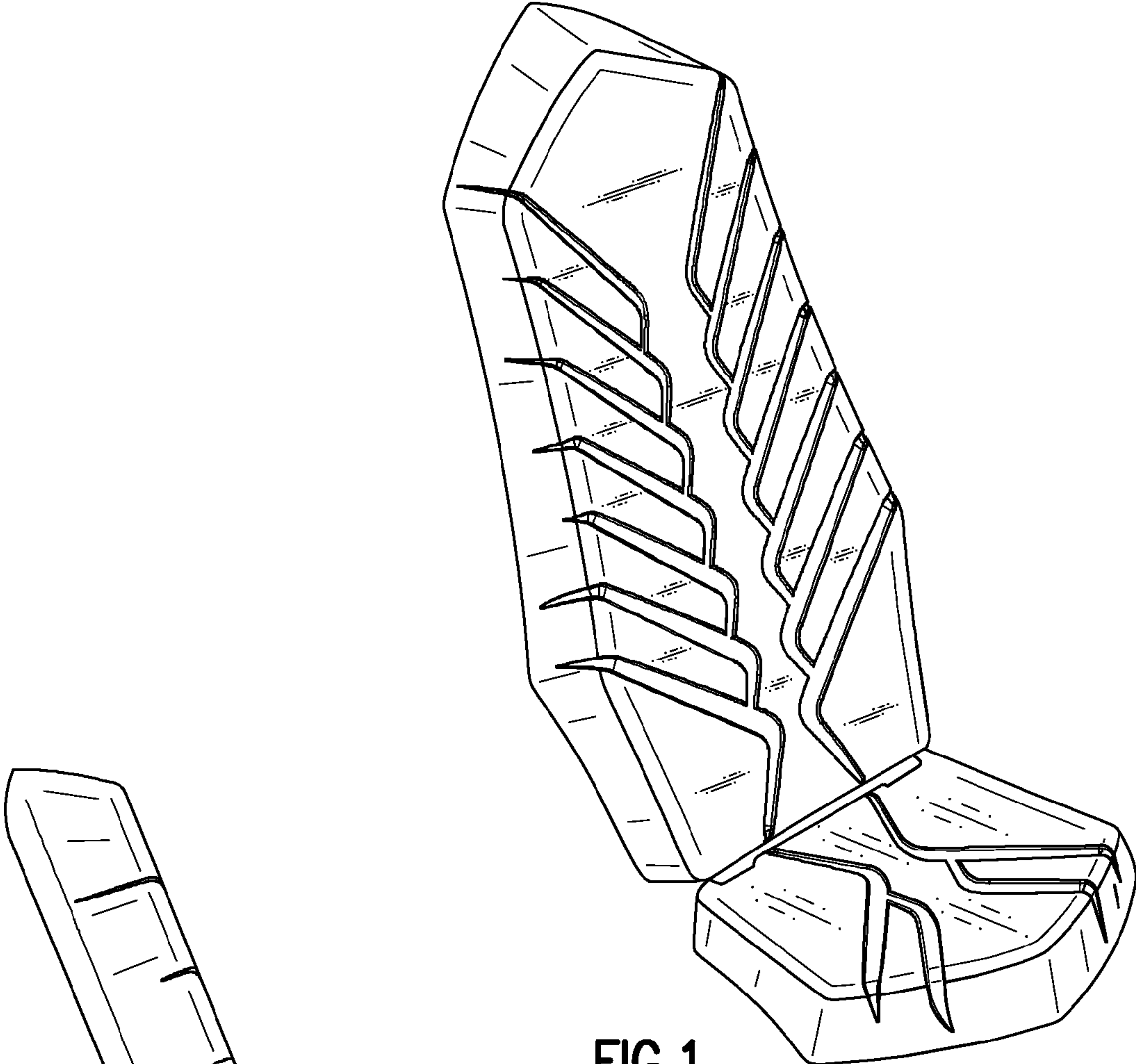


FIG. 1

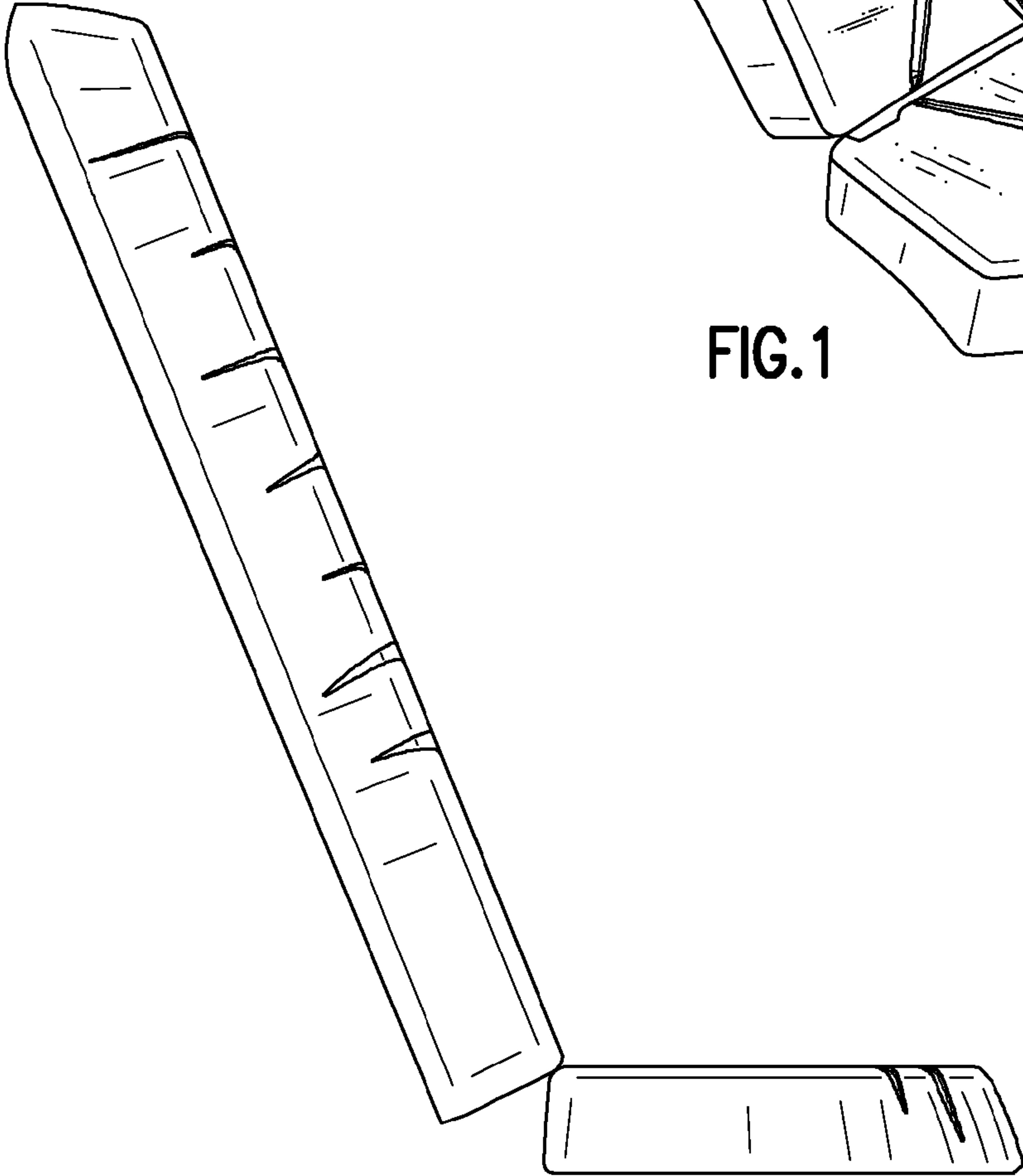


FIG. 2

FIG.3

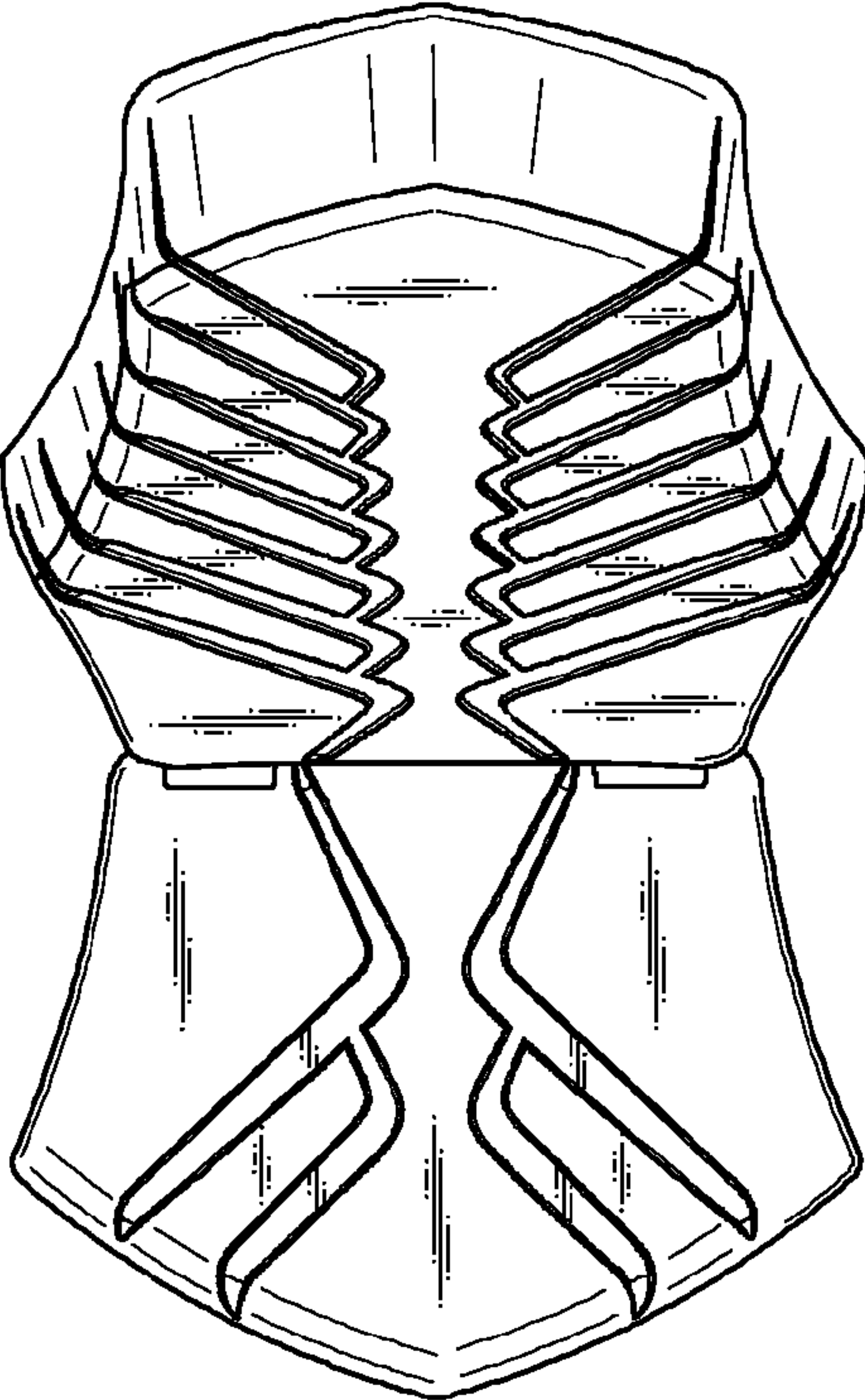


FIG.4

