



US00D633581S

(12) **United States Design Patent**
Thulin

(10) **Patent No.:** **US D633,581 S**

(45) **Date of Patent:** **** Mar. 1, 2011**

(54) **CHEST PRESS**

(76) Inventor: **Mats Thulin**, Lidingo (SE)

(**) Term: **14 Years**

(21) Appl. No.: **29/357,312**

(22) Filed: **Mar. 10, 2010**

(51) **LOC (9) Cl.** **21-02**

(52) **U.S. Cl.** **D21/676**

(58) **Field of Classification Search** D21/662,
D21/673-676, 686, 690-691; 482/96-100,
482/133-134, 137-138, 140-142, 148
See application file for complete search history.

(56) **References Cited**

U.S. PATENT DOCUMENTS

5,044,631	A *	9/1991	Jones	482/138
D321,025	S *	10/1991	Jones	D21/676
D321,027	S *	10/1991	Jones	D21/676
D324,710	S *	3/1992	Habing	D21/675
D330,238	S *	10/1992	Desiderio	D21/675
RE34,577	E *	4/1994	Habing et al.	482/138
5,342,270	A *	8/1994	Jones	482/98
D358,183	S *	5/1995	Habing et al.	D21/675
5,807,219	A *	9/1998	Webber et al.	482/134
5,944,641	A *	8/1999	Habing	482/96
5,971,895	A *	10/1999	Habing	482/100
5,980,437	A *	11/1999	Yang	482/130
D439,939	S *	4/2001	Batca et al.	D21/676
D440,611	S *	4/2001	Batca et al.	D21/676

6,302,833	B1 *	10/2001	Ellis et al.	482/100
D511,190	S *	11/2005	Panatta	D21/676
D516,138	S *	2/2006	Panatta	D21/676
7,476,184	B1 *	1/2009	Batca	482/100
2003/0092543	A1 *	5/2003	Giannelli	482/100
2003/0100413	A1 *	5/2003	Huang	482/100
2004/0082444	A1 *	4/2004	Golesh	482/99

FOREIGN PATENT DOCUMENTS

EM 001102800 3/2009

* cited by examiner

Primary Examiner — Philip S Hyder

Assistant Examiner — Susan E Krakower

(74) *Attorney, Agent, or Firm* — Young & Thompson

(57) **CLAIM**

The ornamental design for a chest press, as shown and described.

DESCRIPTION

FIG. 1 is a front, right side and top perspective view of a chest press showing my new design;

FIG. 2 is a front elevational view thereof;

FIG. 3 is a rear elevational view thereof;

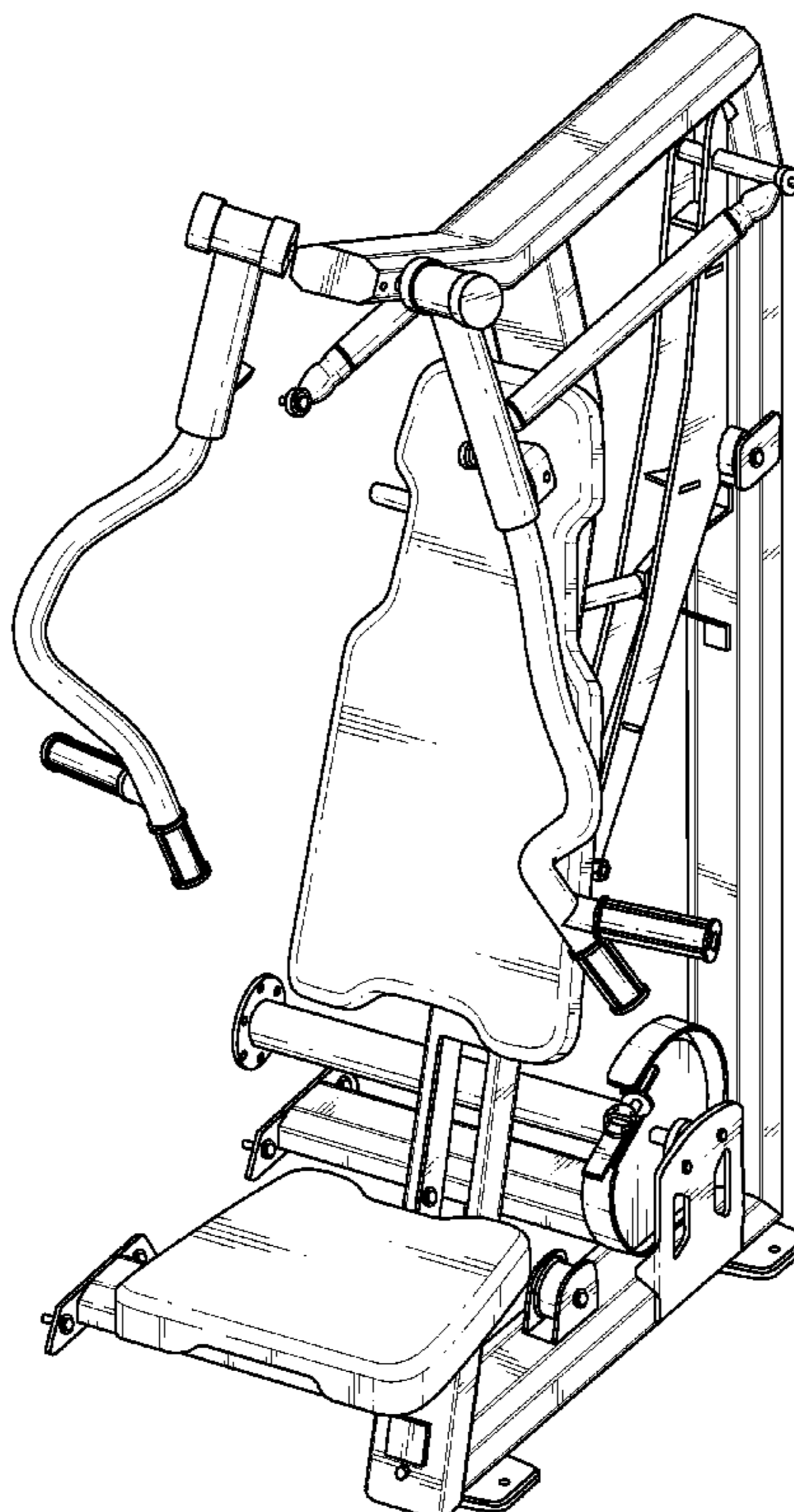
FIG. 4 is a left side elevational view thereof; and,

FIG. 5 is a right side elevational view thereof.

The appearance of the chest press from the underside is not part of the claimed design.

The broken lines illustrate environmental portions of the chest press and form no part of the claimed design.

1 Claim, 5 Drawing Sheets



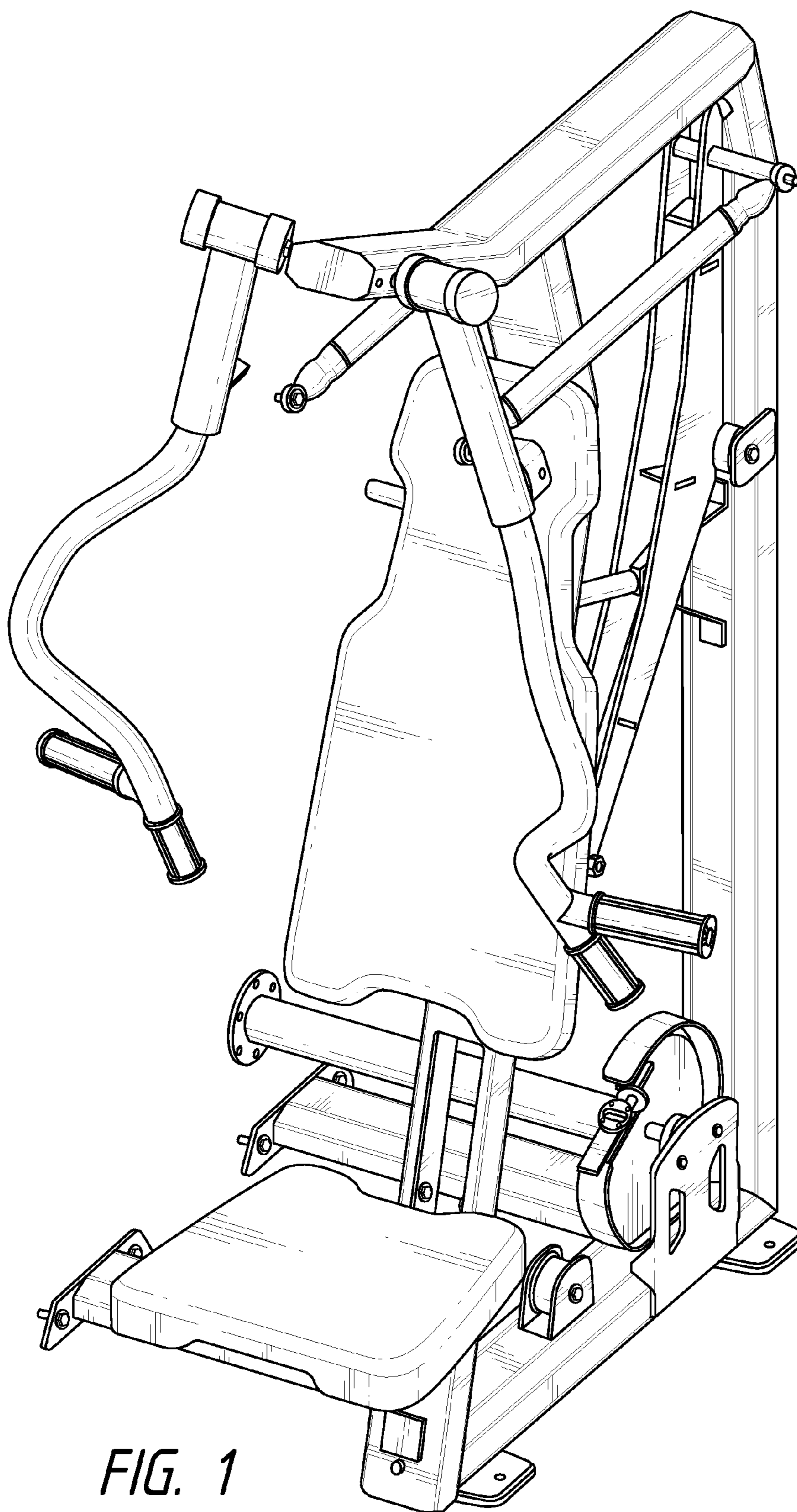


FIG. 1

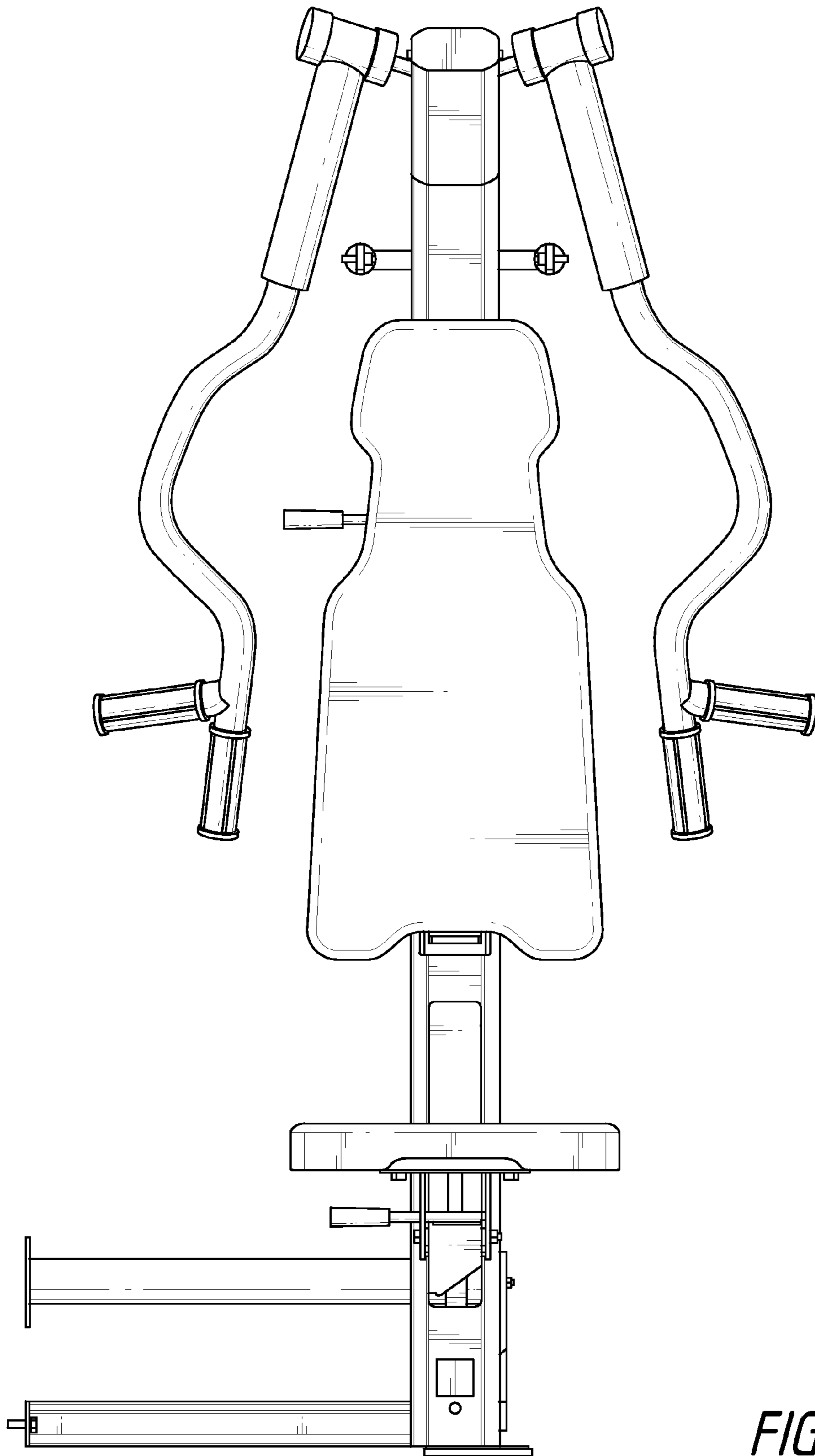


FIG. 2

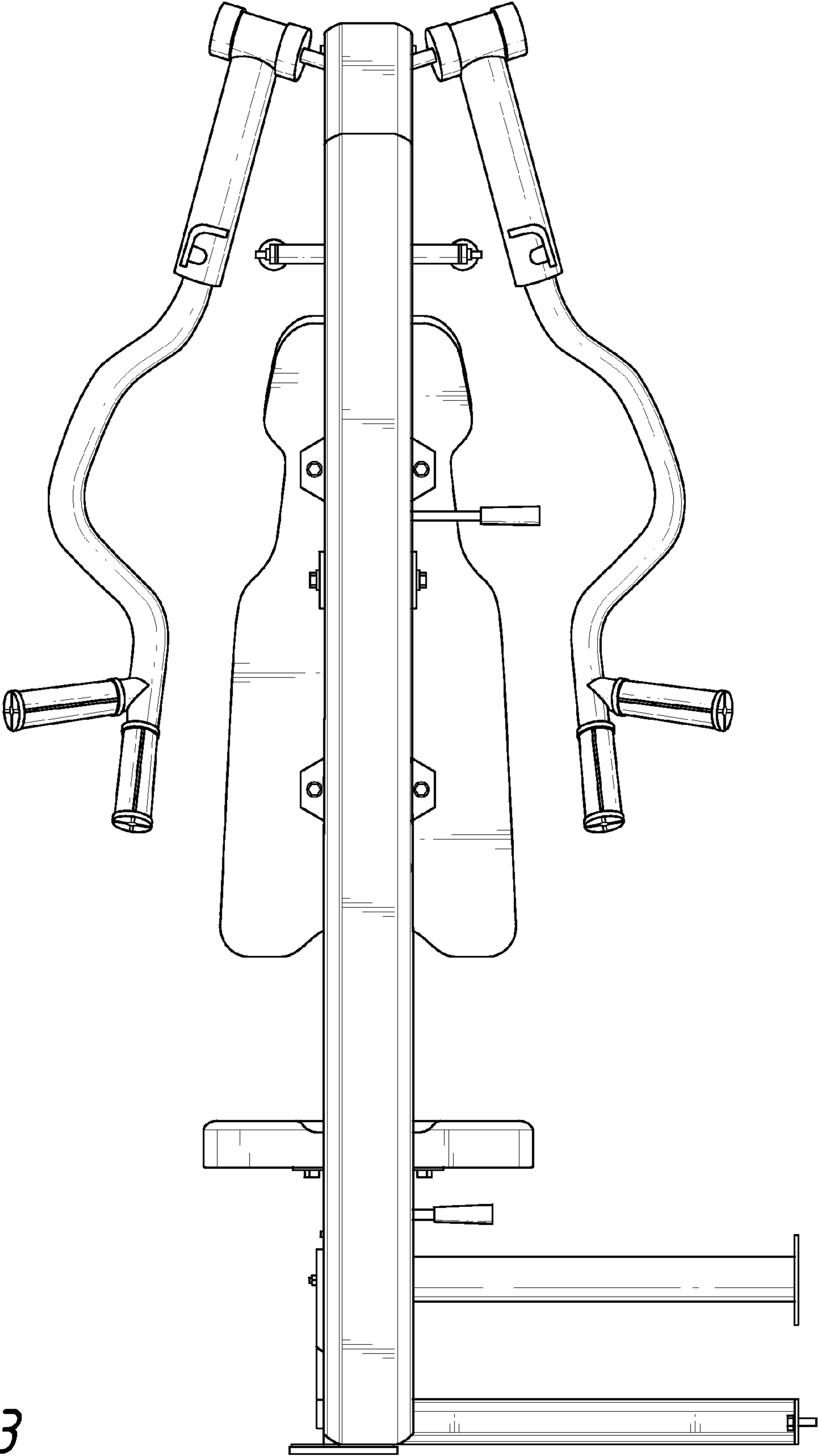


FIG. 3

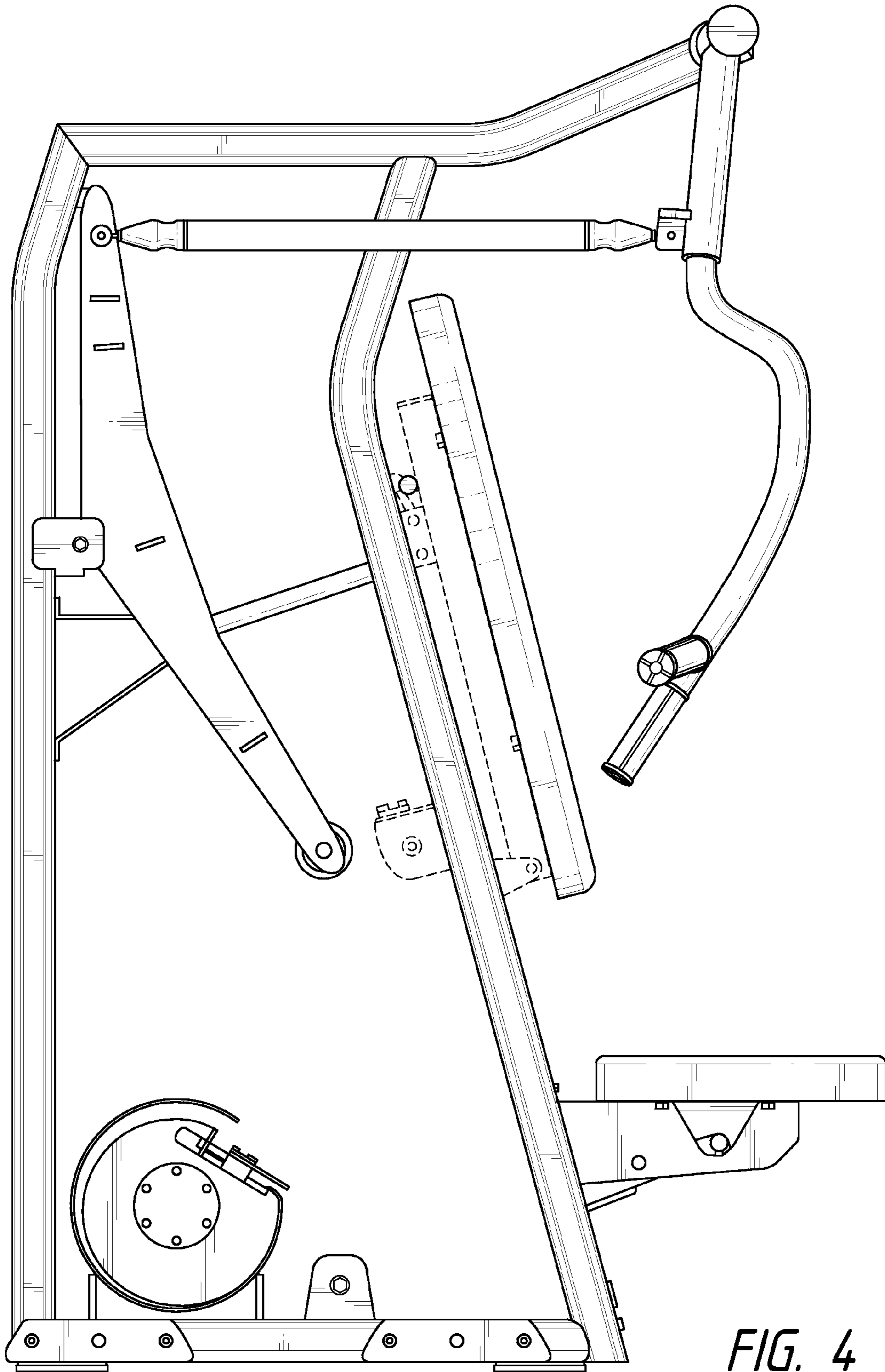


FIG. 4

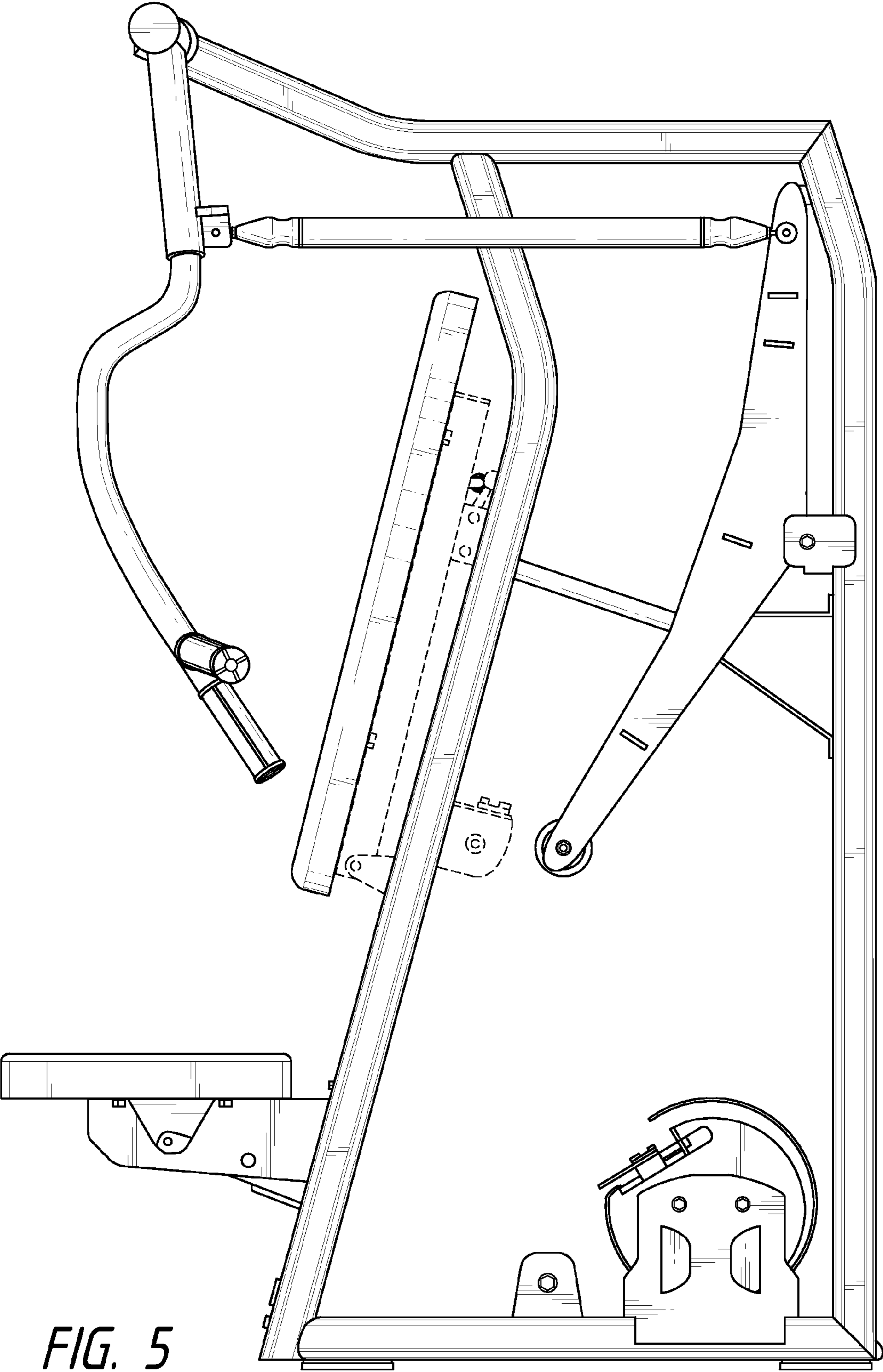


FIG. 5