



US00D633580S

(12) **United States Design Patent**
Wu

(10) **Patent No.:** **US D633,580 S**
(45) **Date of Patent:** **** Mar. 1, 2011**

(54) **VIBRATION TRAINER**

(76) Inventor: **Mu-Chuan Wu**, Tainan Hsien (TW)

(**) Term: **14 Years**

(21) Appl. No.: **29/342,215**

(22) Filed: **Aug. 20, 2009**

(30) **Foreign Application Priority Data**

Apr. 10, 2009 (TW) 98301590

(51) **LOC (9) Cl.** **21-02**

(52) **U.S. Cl.** **D21/662**

(58) **Field of Classification Search** D21/662,
D21/668, 671, 686, 688, 689; D24/200,
D24/215; 601/23, 49, 51, 66, 70, 90; 482/27,
482/51, 145, 146, 91

See application file for complete search history.

(56) **References Cited**

U.S. PATENT DOCUMENTS

- D518,533 S * 4/2006 van der Meer D21/662
- D522,074 S * 5/2006 Dummel D21/662
- 7,278,977 B1 * 10/2007 Chen 601/30
- D561,273 S * 2/2008 Wu D21/662
- D571,416 S * 6/2008 Wu D21/662
- D574,900 S * 8/2008 Meile Marcel
Tamminga D21/662
- D586,867 S * 2/2009 Wu D21/662
- D591,366 S * 4/2009 Decommer D21/662
- D596,247 S * 7/2009 Wu D21/694

- D599,862 S * 9/2009 Decommer D21/662
- D601,211 S * 9/2009 Wu D21/686
- D602,540 S * 10/2009 Minter D21/662
- 2007/0213179 A1 * 9/2007 Trandafir 482/51
- 2007/0239088 A1 * 10/2007 Wu 601/49
- 2008/0275373 A1 * 11/2008 van der Meer 601/49
- 2009/0247914 A1 * 10/2009 Shen et al. 601/49
- 2009/0264801 A1 * 10/2009 Van Der Meer 601/70

* cited by examiner

Primary Examiner—Susan E Krakower

(74) *Attorney, Agent, or Firm*—Muncy, Geissler, Olds & Lowe, PLLC

(57) **CLAIM**

The ornamental design for a vibration trainer, as shown and described.

DESCRIPTION

FIG. 1 is a perspective view of a vibration trainer, showing my new design;

FIG. 2 is a front view thereof;

FIG. 3 is a rear view thereof;

FIG. 4 is a left view thereof;

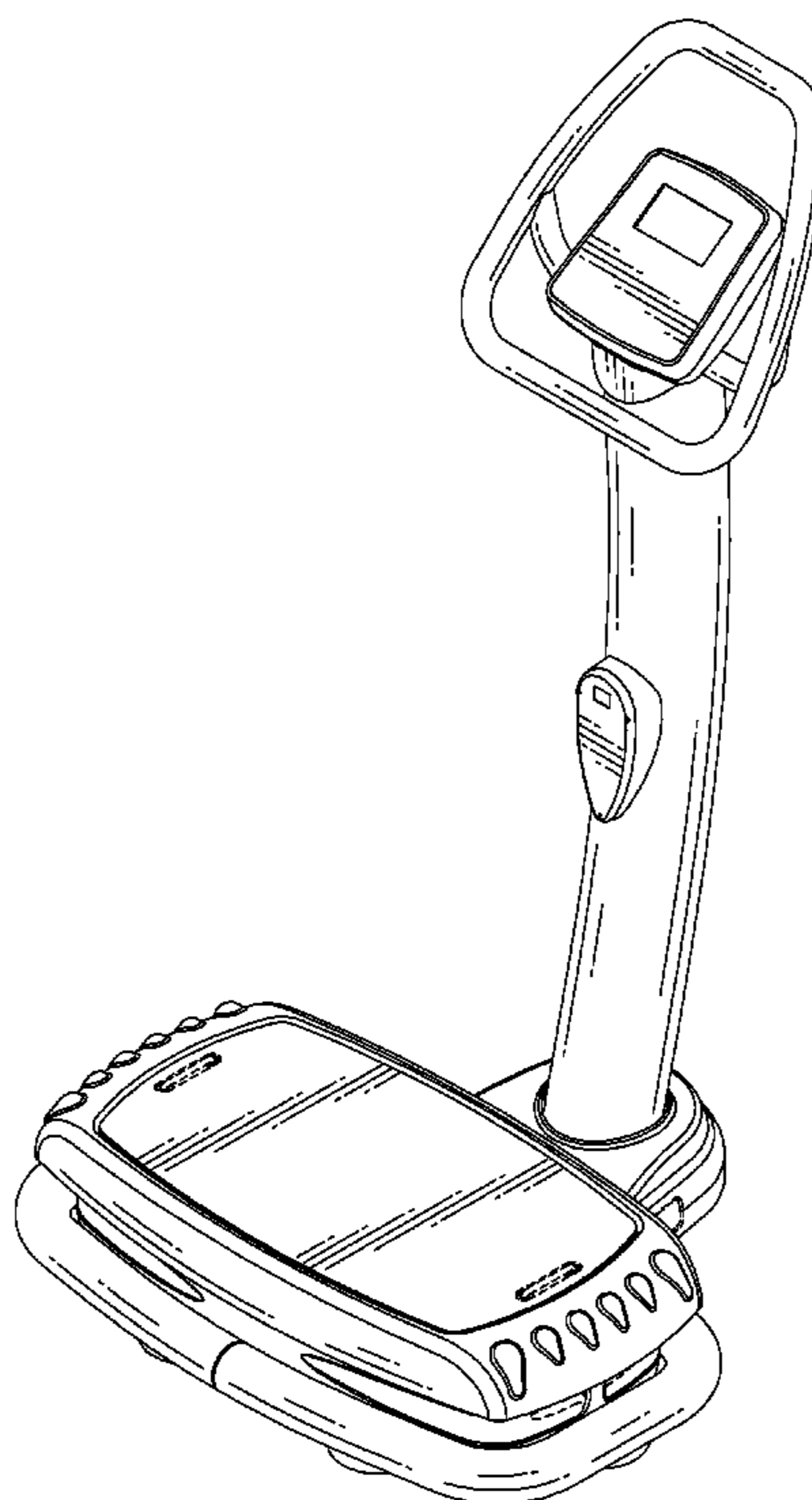
FIG. 5 is a right view thereof;

FIG. 6 is a top view thereof; and,

FIG. 7 is a bottom view thereof.

The broken lines illustrate portions of the vibration trainer which form no part of the claimed design.

1 Claim, 7 Drawing Sheets



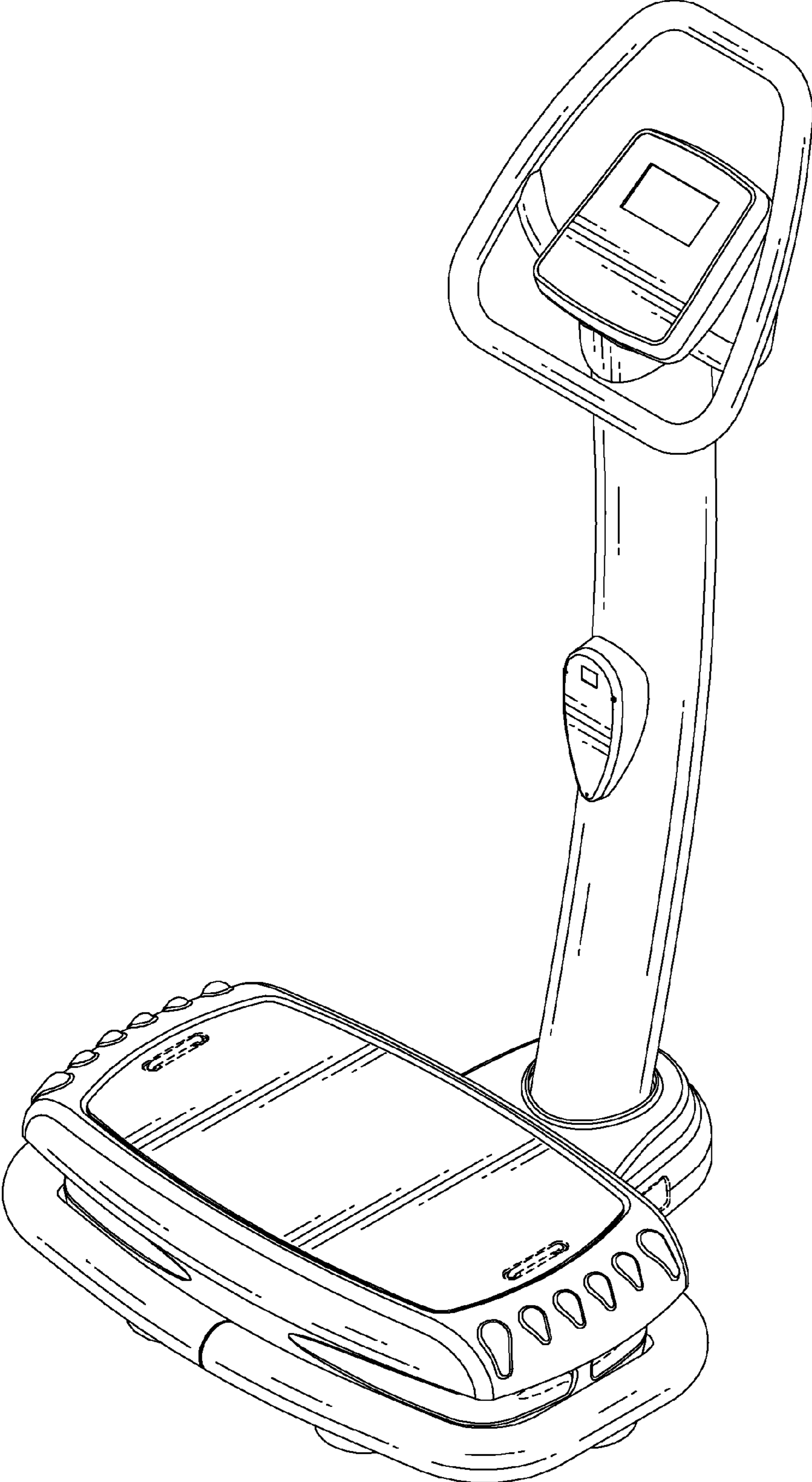


FIG.1

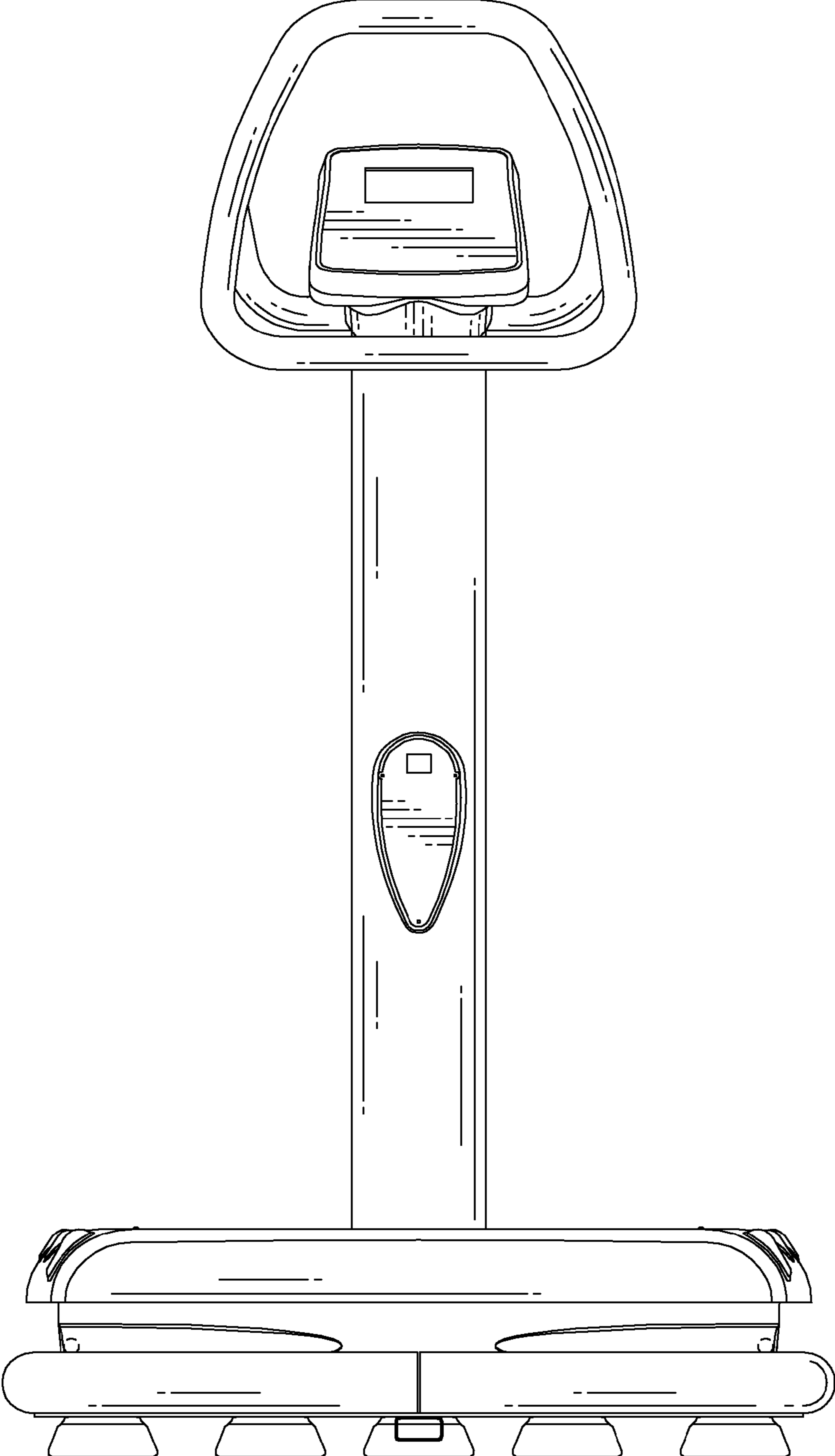


FIG.2

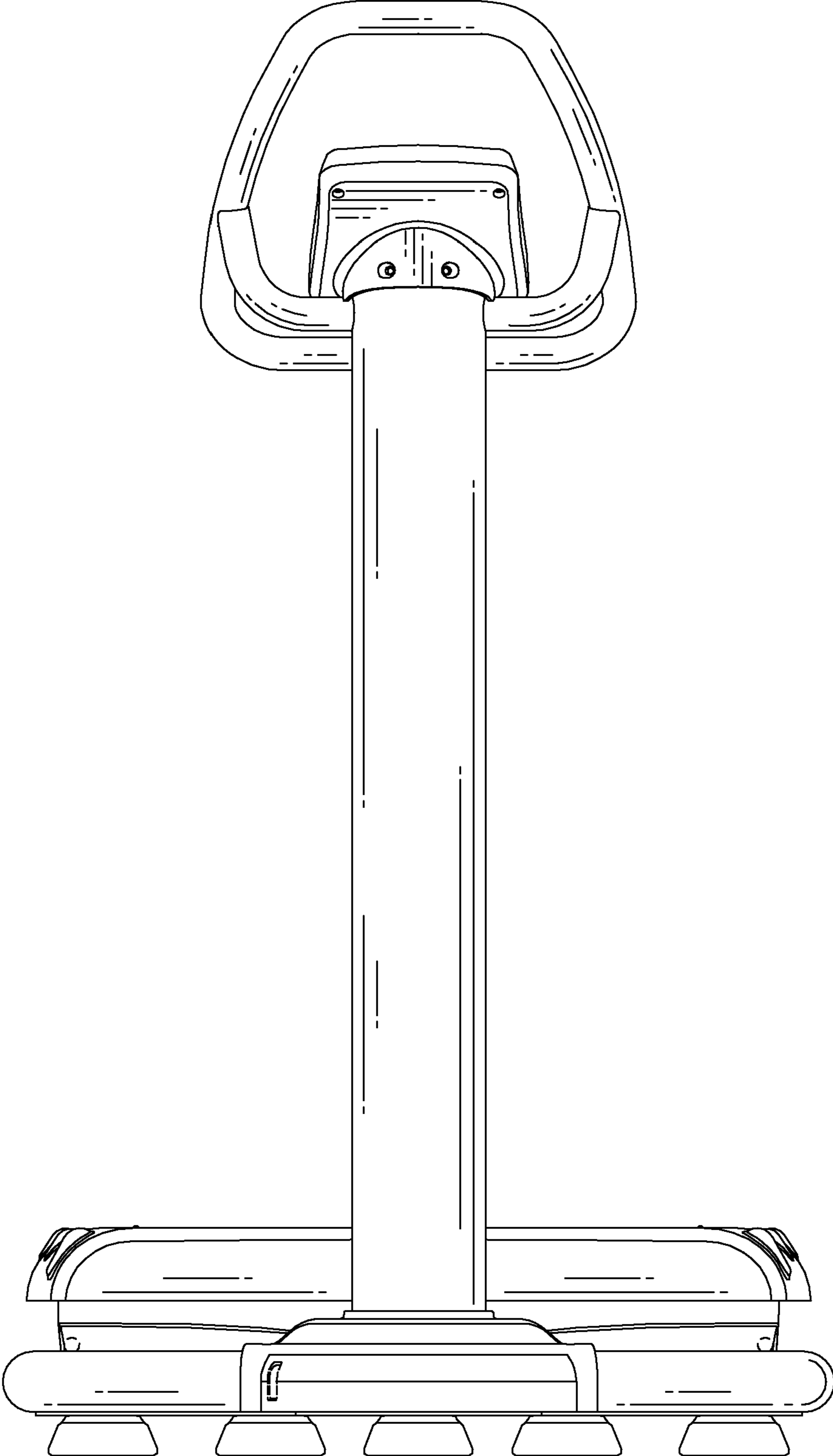


FIG.3

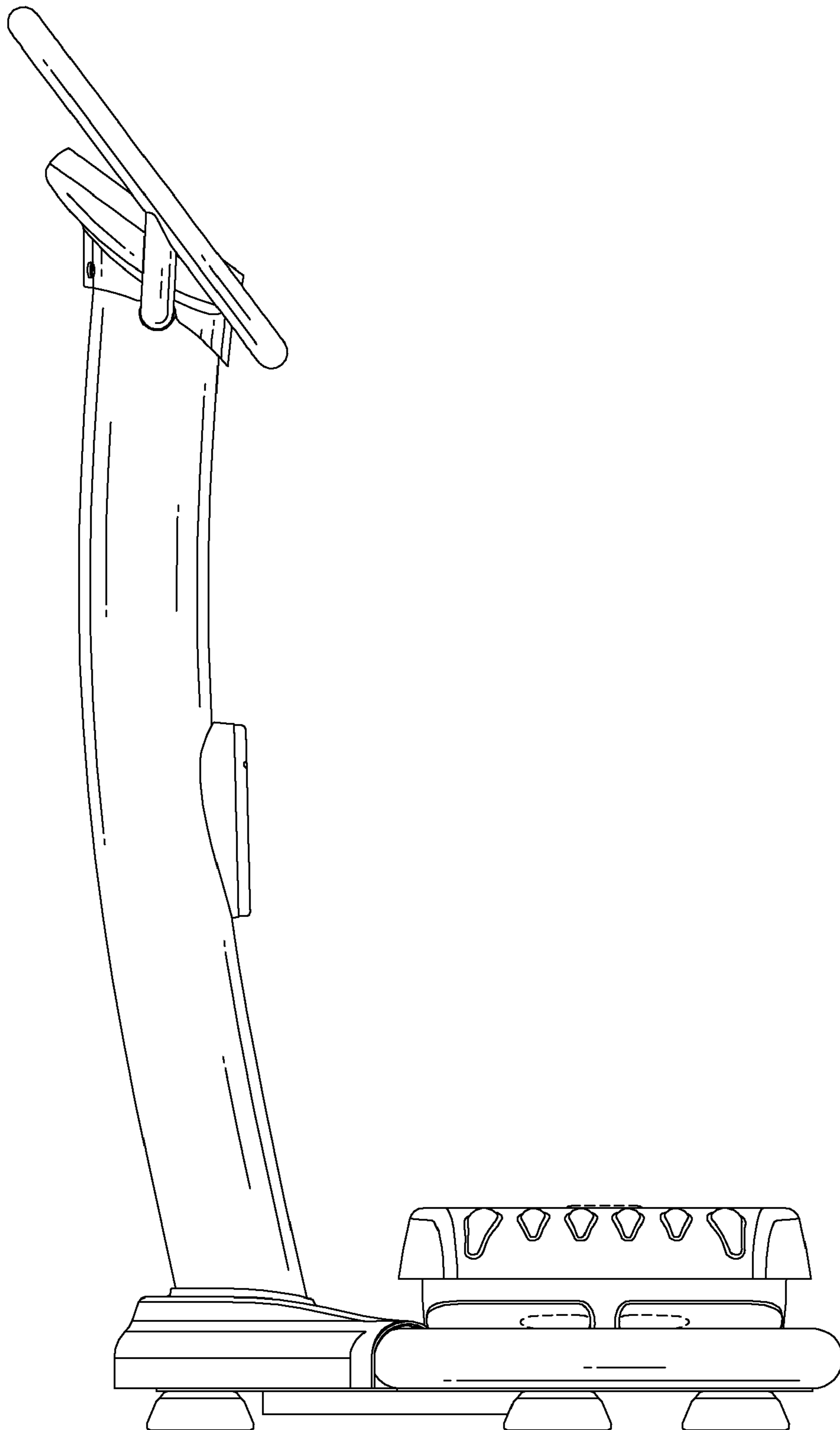


FIG.4

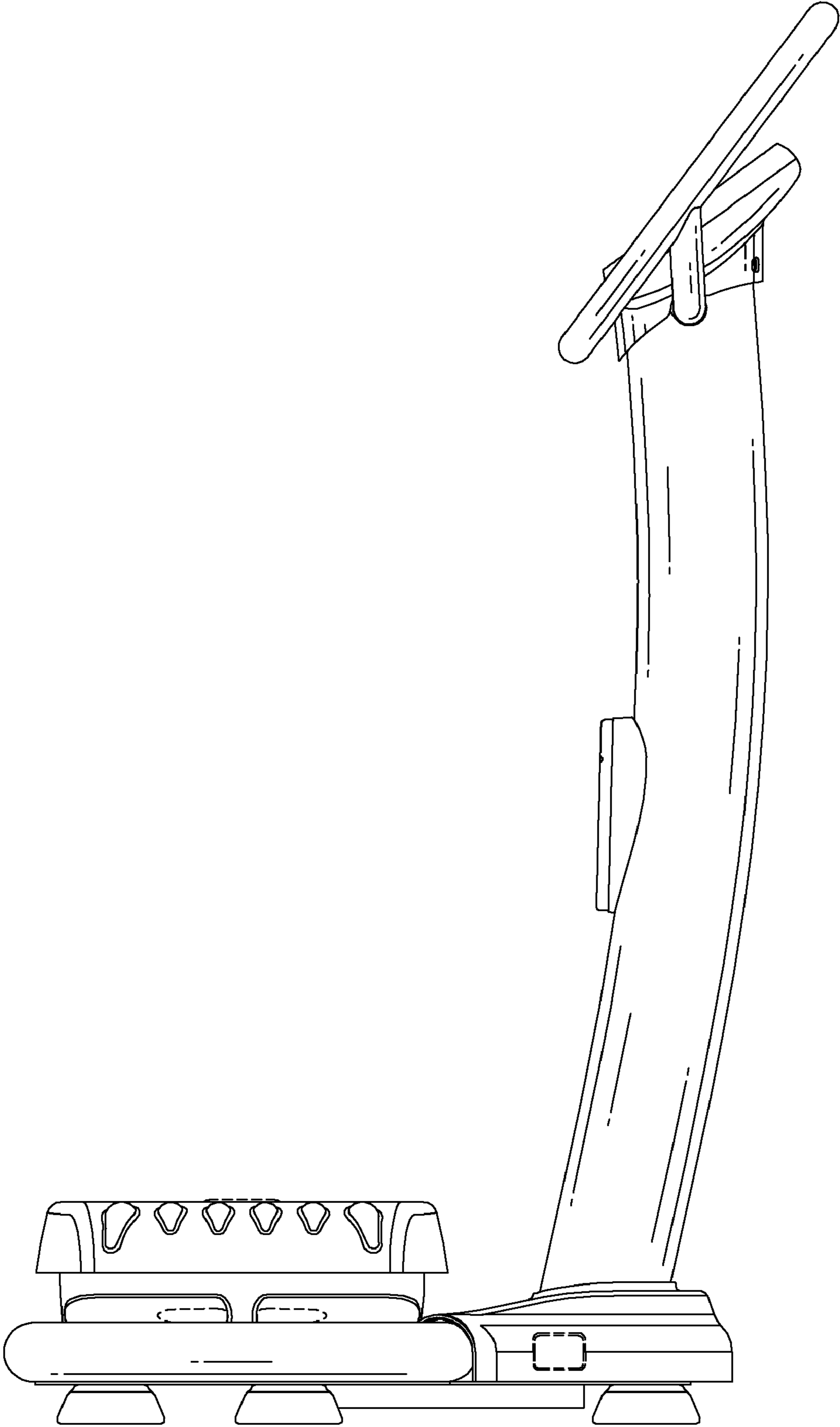


FIG.5

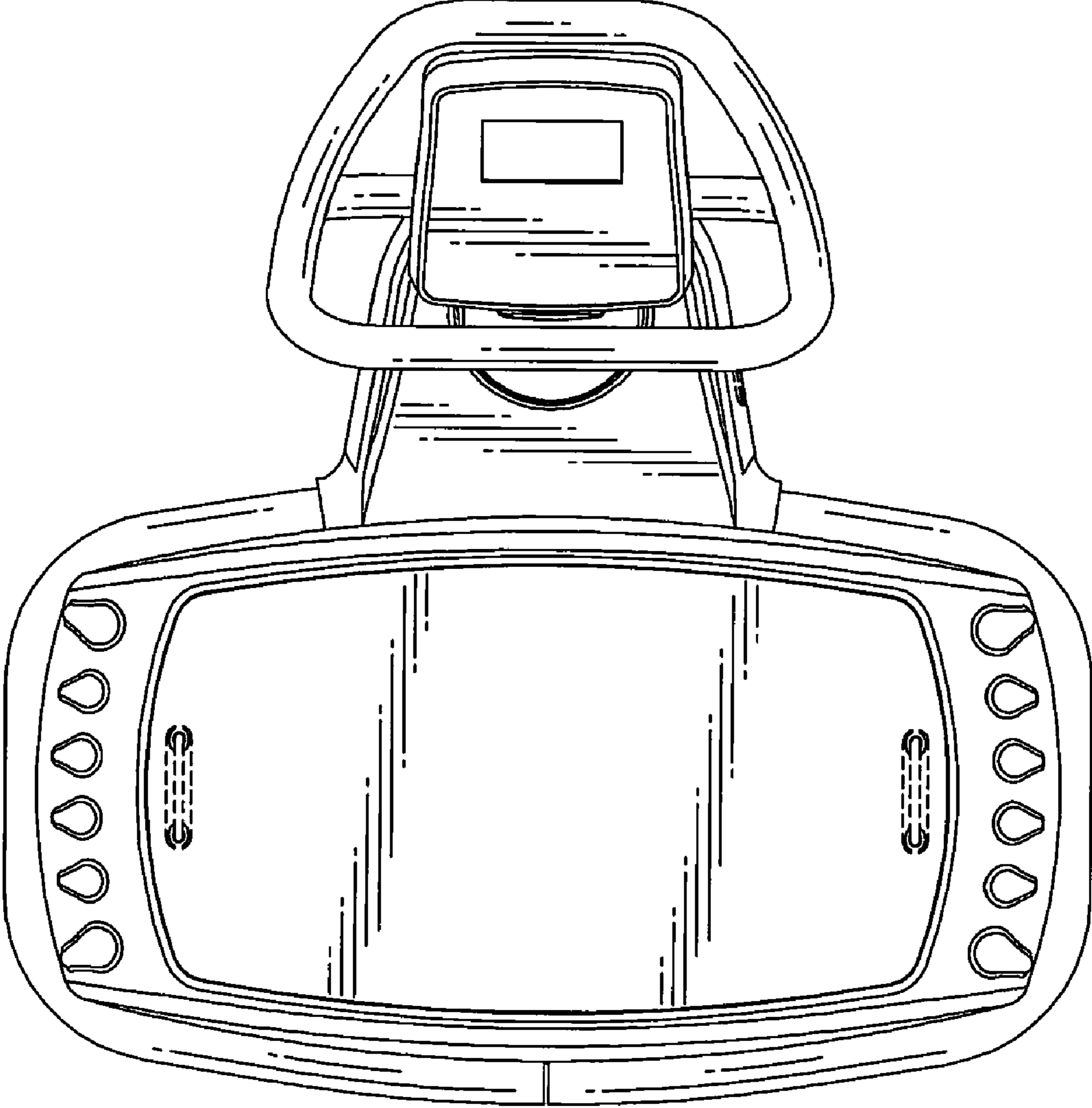


FIG.6

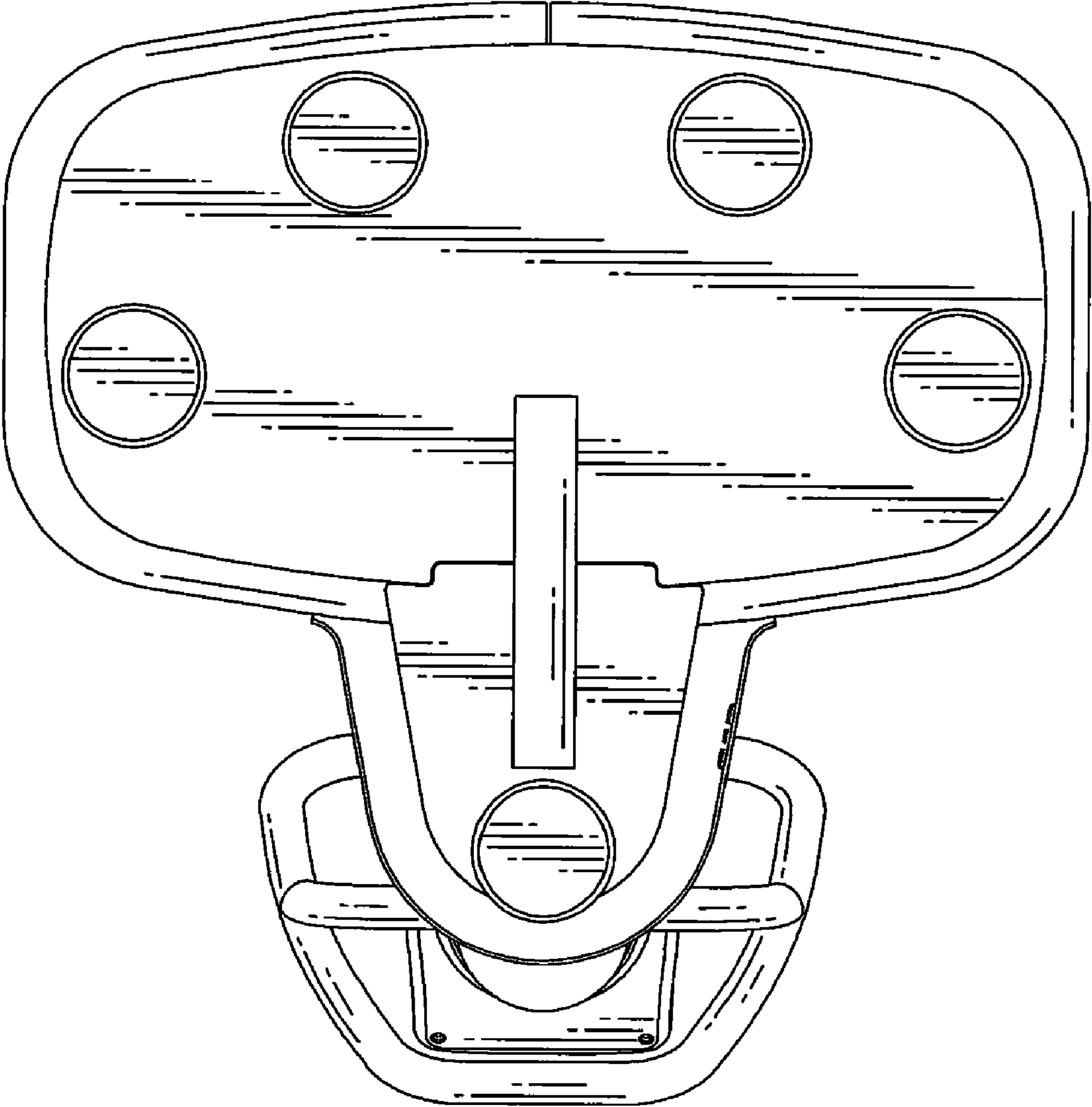


FIG.7