

US00D633578S

(12) **United States Design Patent**  
**Lee**

(10) **Patent No.:** **US D633,578 S**  
(45) **Date of Patent:** **\*\* Mar. 1, 2011**

(54) **WIND-ACTUATING TOY**

D539,364 S \* 3/2007 Sofussen ..... D21/621  
D583,882 S \* 12/2008 Domingues ..... D21/585

(76) Inventor: **Wen-Hsien Lee**, Xindian (TW)

\* cited by examiner

(\*\*) Term: **14 Years**

*Primary Examiner*—Janice E Seeger

*Assistant Examiner*—Zenia I Bennett

(21) Appl. No.: **29/376,499**

(74) *Attorney, Agent, or Firm*—patenttm.us

(22) Filed: **Oct. 8, 2010**

(57) **CLAIM**

The ornamental design for a wind-actuating toy, as shown and described.

(51) **LOC (9) Cl.** ..... **21-01**

**DESCRIPTION**

(52) **U.S. Cl.** ..... **D21/621; D21/585**

(58) **Field of Classification Search** ..... D21/538,  
D21/578–583, 585, 621, 622; 446/268, 360,  
446/361, 376, 379, 382–384

FIG. 1 is a perspective view of a wind-actuating toy showing my new design;

FIG. 2 is another perspective view thereof;

FIG. 3 is a front view thereof;

FIG. 4 is a rear view thereof;

FIG. 5 is a left view thereof;

FIG. 6 is a right view thereof;

FIG. 7 is a top view thereof; and,

FIG. 8 is a bottom view thereof.

See application file for complete search history.

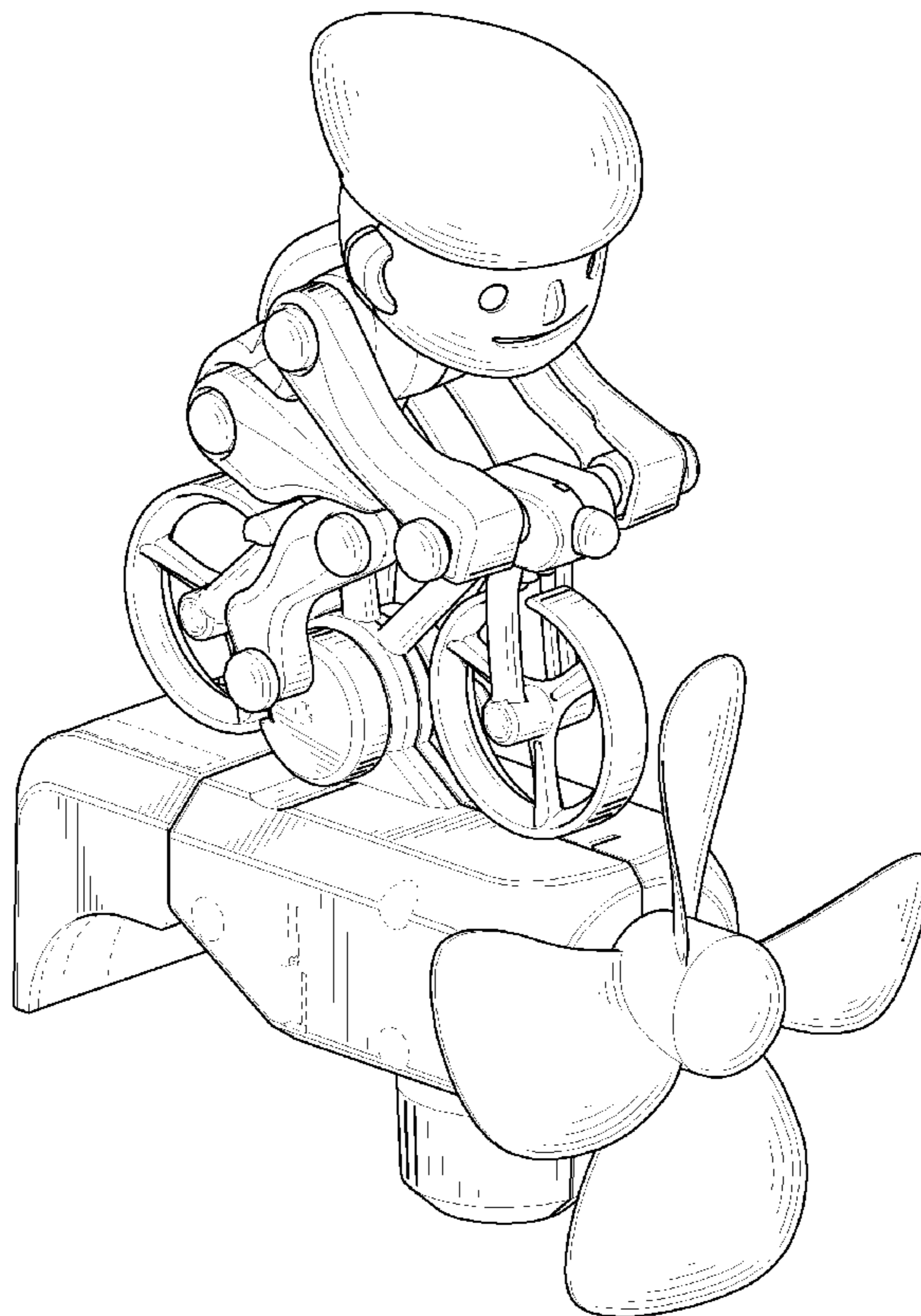
The portions of the Figures shown in broken lines are shown for illustrative purposes only and form no part of the claimed design.

(56) **References Cited**

**U.S. PATENT DOCUMENTS**

D276,541 S *	11/1984	Miyazaki et al. ....	D21/538
D278,735 S *	5/1985	Nielsen .....	D21/631
D280,114 S *	8/1985	Miyazaki et al. ....	D21/538
D284,018 S *	5/1986	Lin .....	D21/538
D346,414 S *	4/1994	Wong .....	D21/538
D404,441 S *	1/1999	Tong .....	D21/621
D420,064 S *	2/2000	Poirier et al. ....	D21/621
D496,076 S *	9/2004	Klaus et al. ....	D21/621
D536,010 S *	1/2007	Takahashi .....	D15/199

**1 Claim, 7 Drawing Sheets**



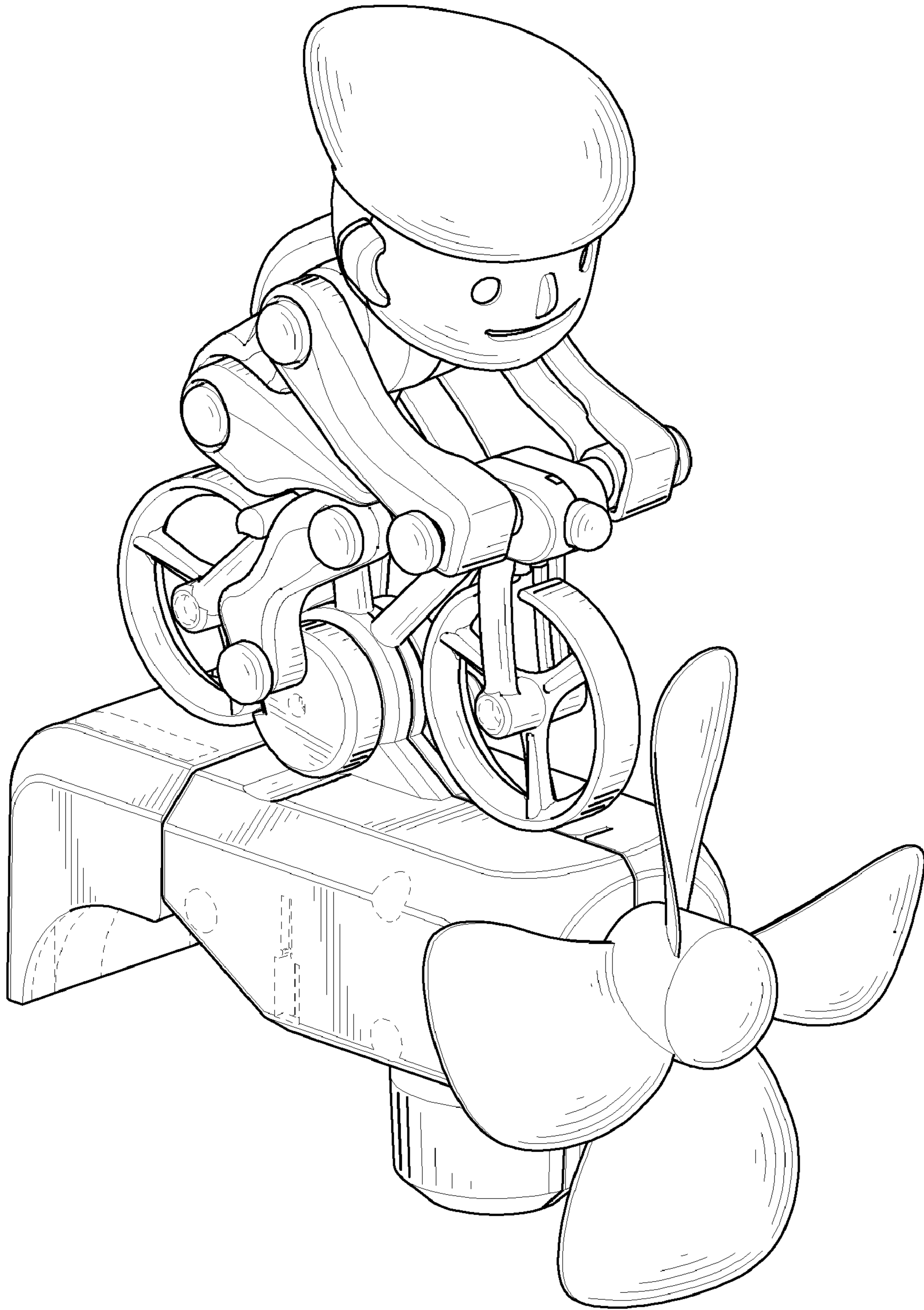


FIG.1



FIG.2

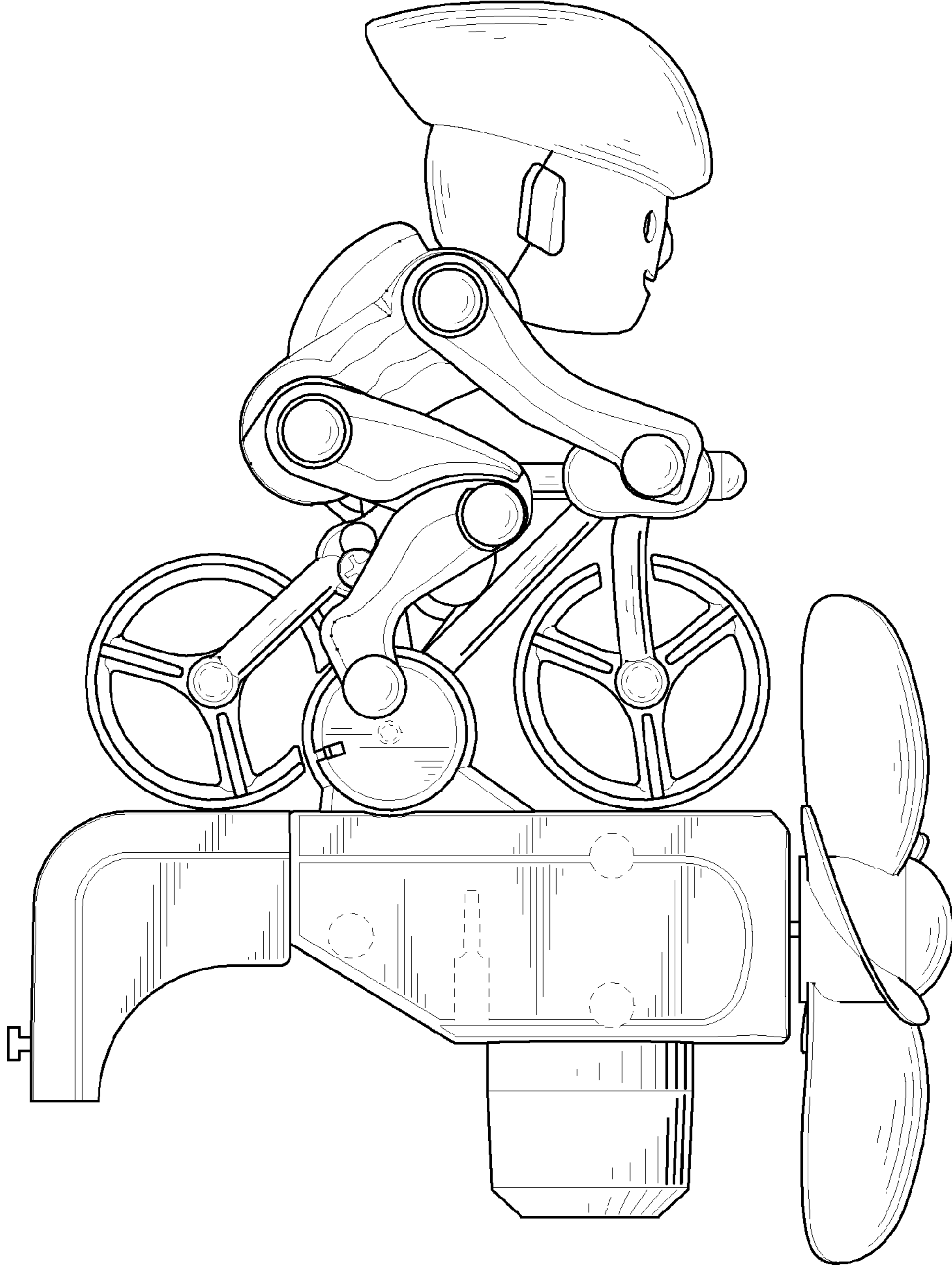


FIG.3

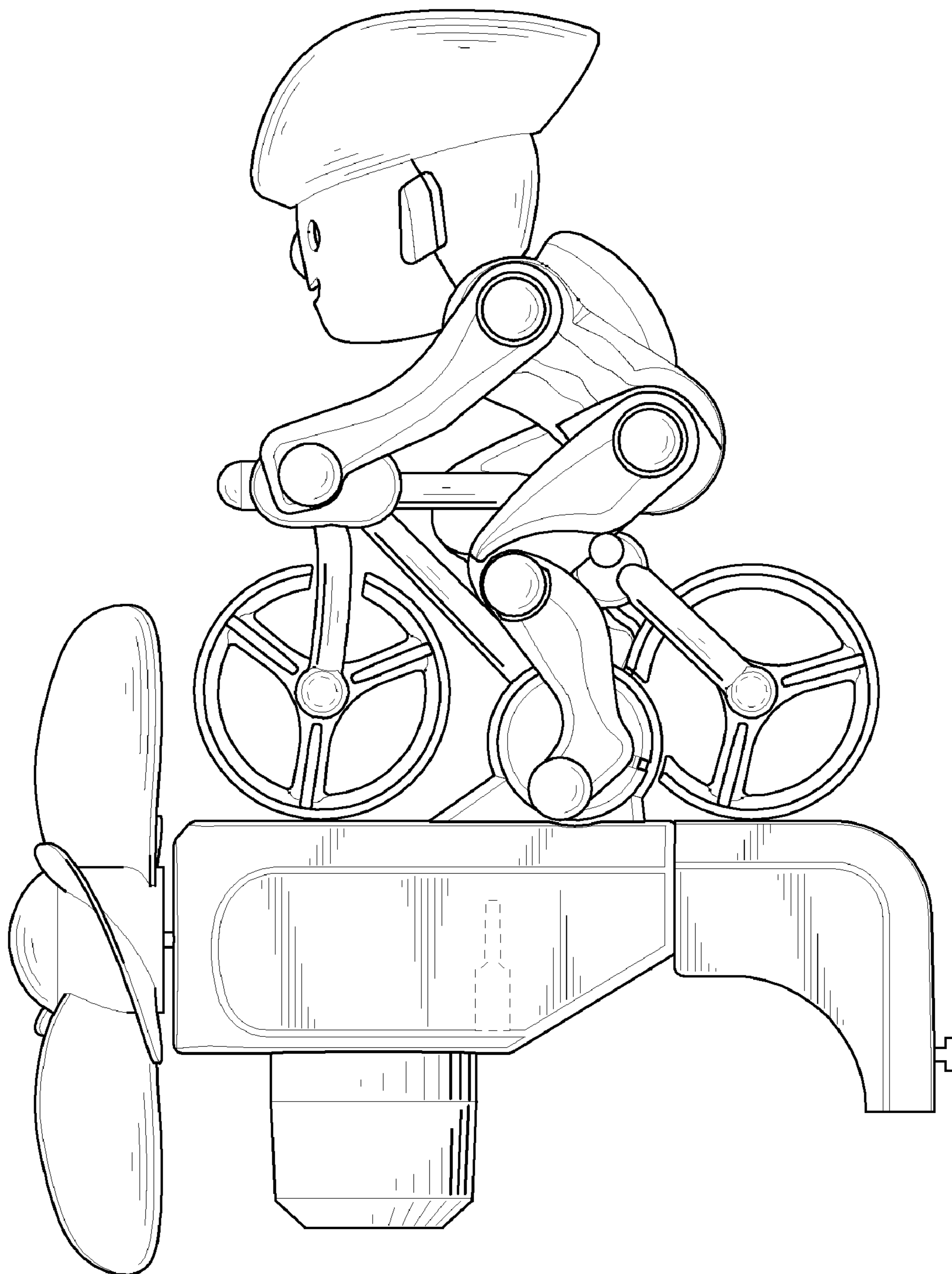


FIG.4

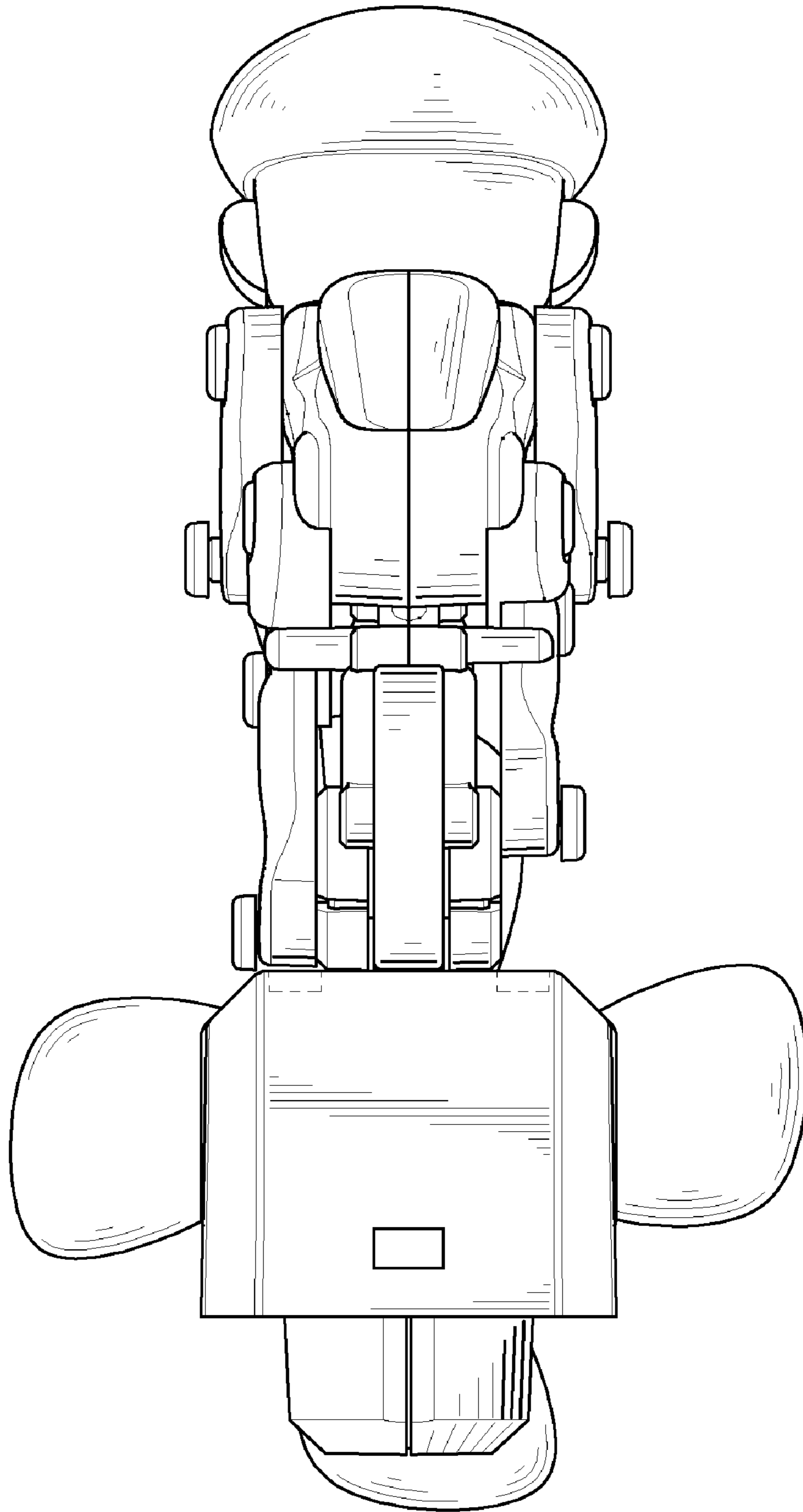


FIG. 5

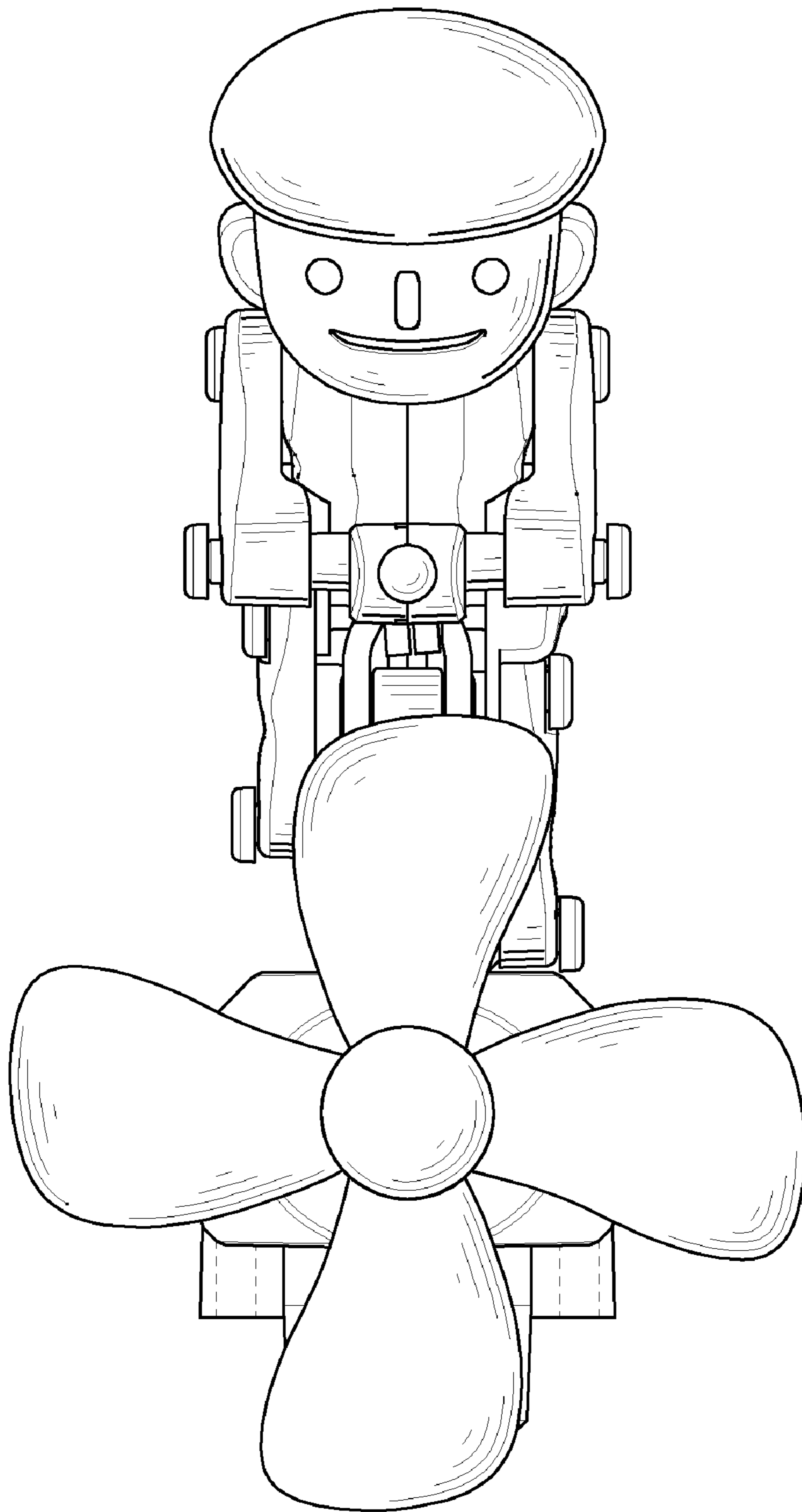


FIG.6

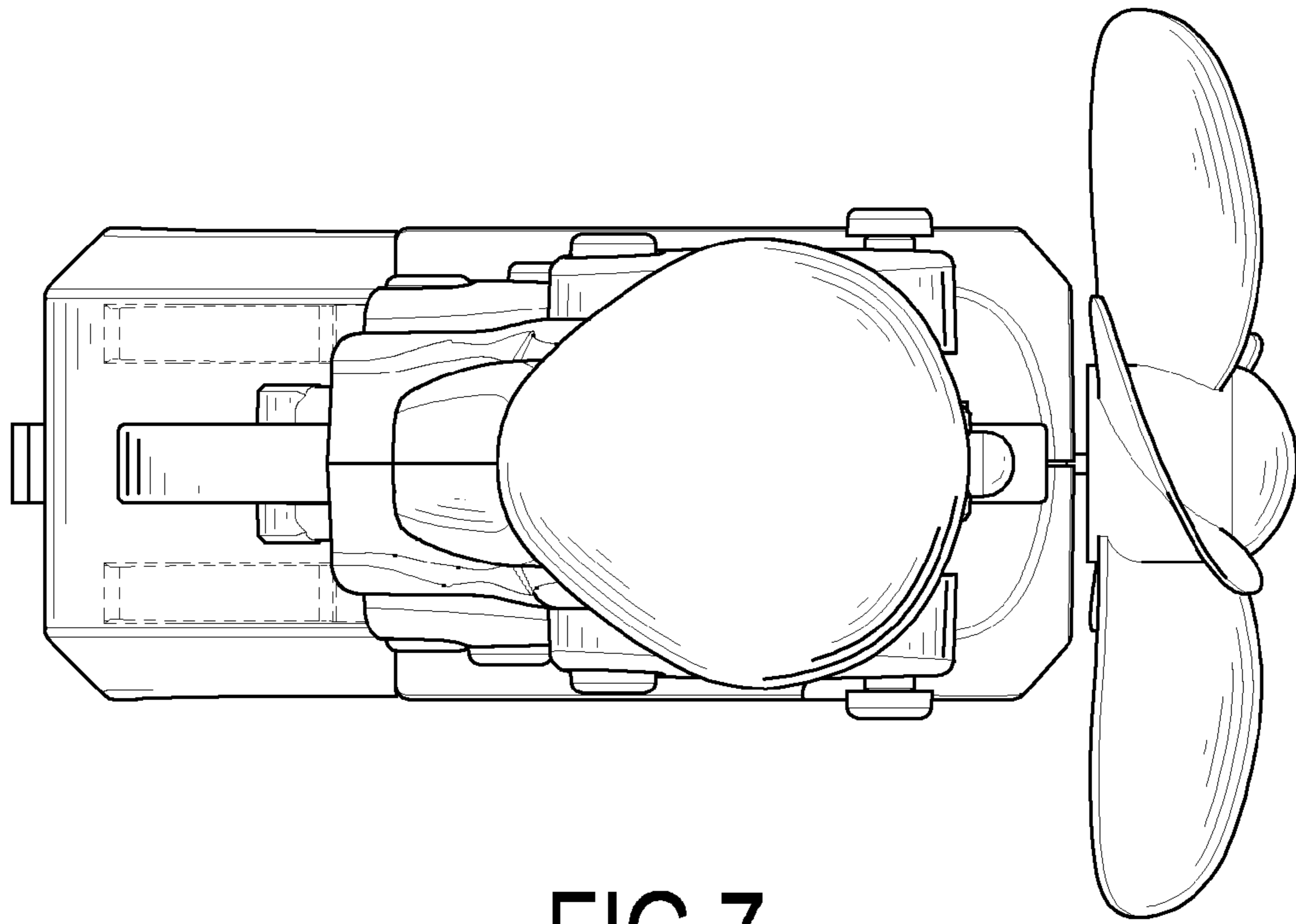


FIG. 7

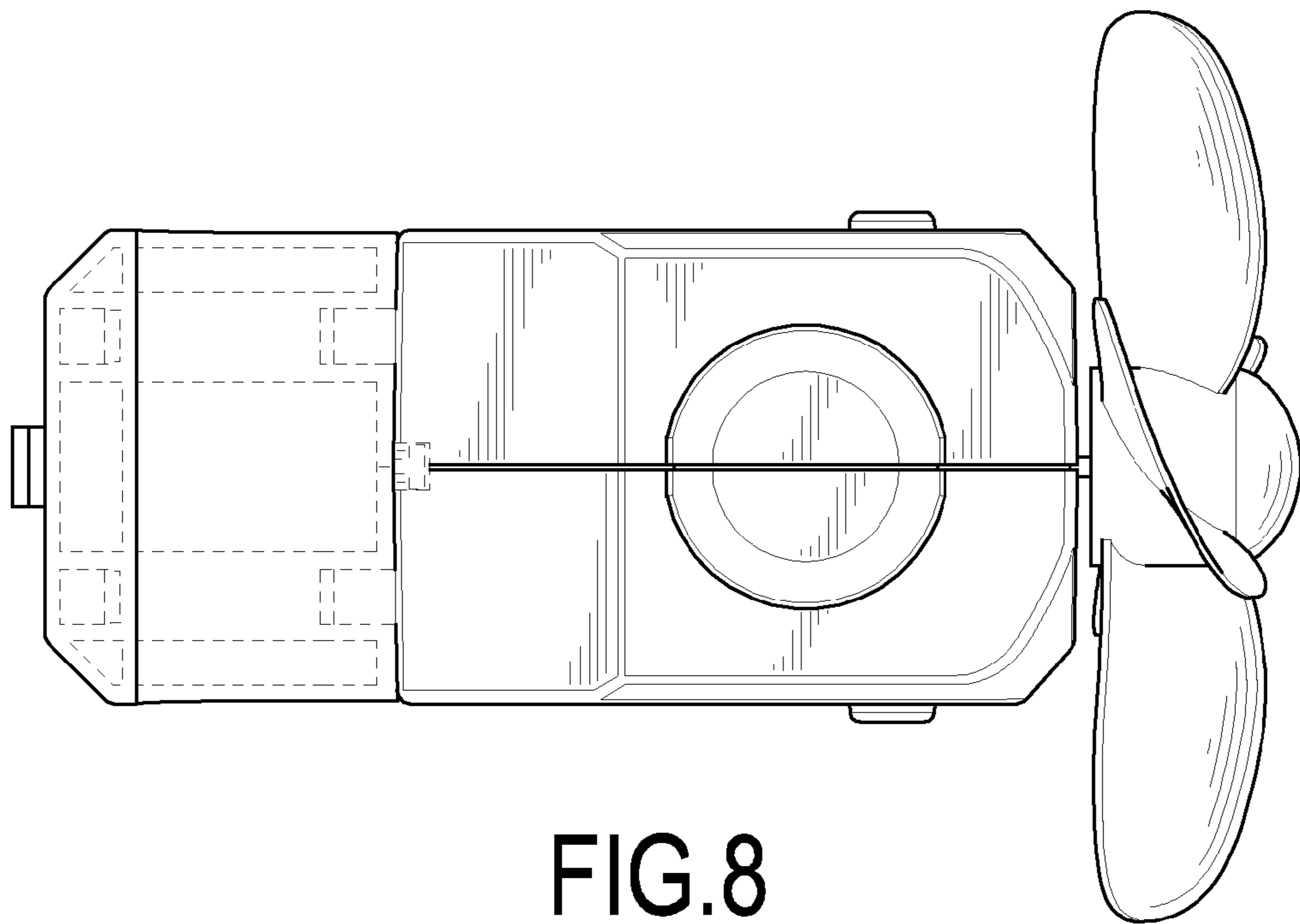


FIG. 8