



US00D633577S

(12) **United States Design Patent**  
**Dalton et al.**

(10) **Patent No.:** **US D633,577 S**  
(45) **Date of Patent:** **\*\* Mar. 1, 2011**

(54) **DOLL WITH LEGS AND PACIFIER**

D609,284 S \* 2/2010 Markland et al. .... D21/604

(75) Inventors: **Laura Dalton**, St. Louis, MO (US);  
**Susan Godfrey**, Scottsdale, AZ (US)

\* cited by examiner

(73) Assignee: **First Friends, LLC**, St. Louis, MO (US)

*Primary Examiner*—Sandra Morris  
(74) *Attorney, Agent, or Firm*—Meschkow & Gresham,  
P.L.C.

(\*\*) Term: **14 Years**

(57) **CLAIM**

(21) Appl. No.: **29/360,942**

The ornamental design for a doll with legs and pacifier, as shown and described.

(22) Filed: **May 3, 2010**

(51) **LOC (9) Cl.** ..... **21-01**

(52) **U.S. Cl.** ..... **D21/576; D21/655**

(58) **Field of Classification Search** ..... D21/576–578,  
D21/585–590, 604–605, 611–612, 625, 655,  
D21/658; D24/195; D11/158–159; 446/71–73,  
446/97–98, 269, 292, 368–369  
See application file for complete search history.

**DESCRIPTION**

FIG. 1 is a rear perspective view of a doll with legs and pacifier, showing our new design therefor;

FIG. 2 is front perspective view of the doll with legs and pacifier in FIG. 1;

FIG. 3 is front perspective view of an alternate embodiment of the doll with legs and pacifier in FIG. 1;

FIG. 4 is a side view of the doll with legs and pacifier in FIG. 1; showing the left side, the right side being a mirror image thereof;

FIG. 5 is a front view of the doll with legs and pacifier in FIG. 1;

FIG. 6 is a rear view of the doll with legs and pacifier in FIG. 1;

FIG. 7 is a top view of the doll with legs and pacifier in FIG. 1; and,

FIG. 8 is a bottom view of the doll with legs and pacifier in FIG. 1.

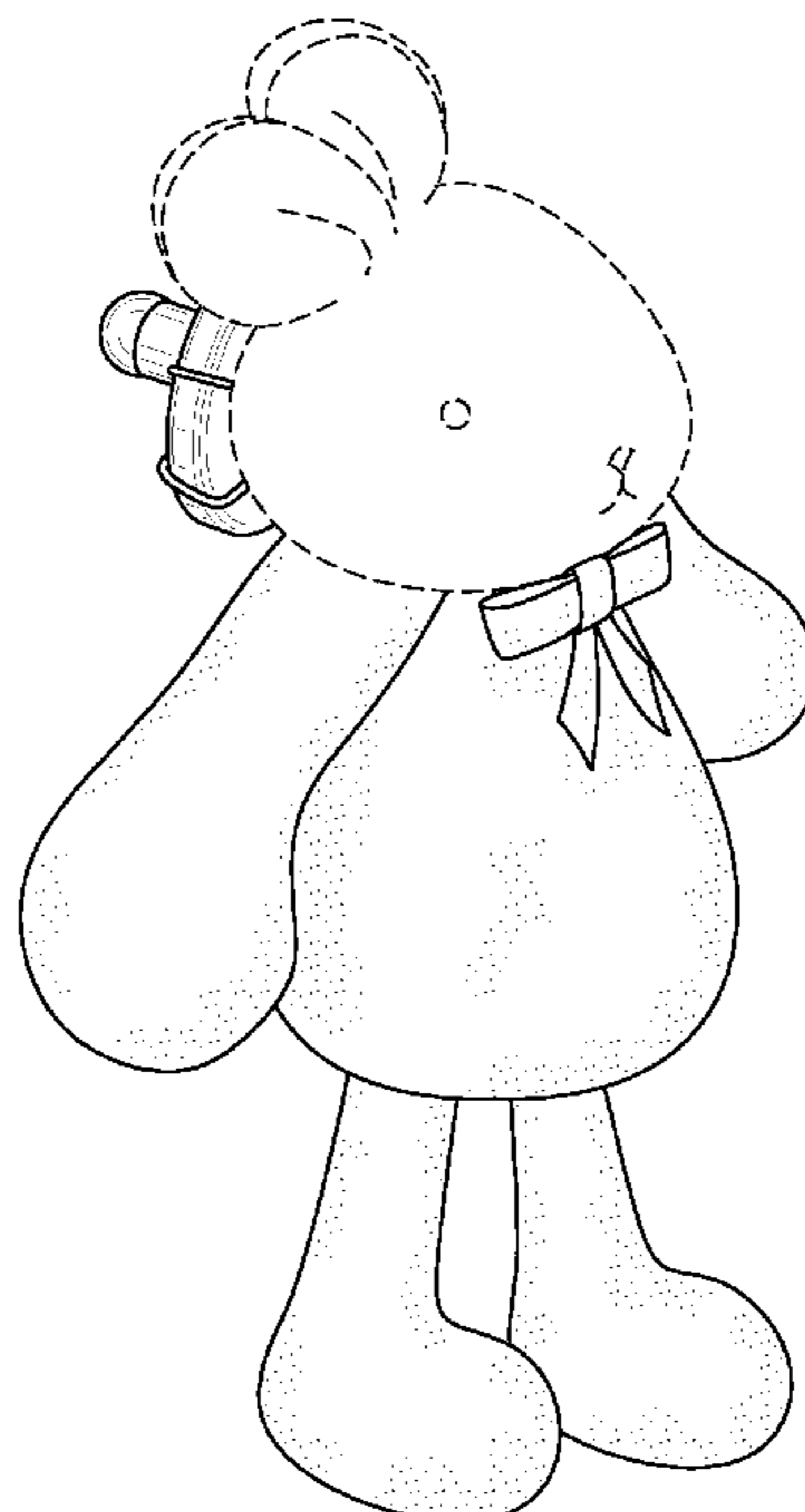
The broken line showing is for illustrative purposes only, and forms no part of the claimed design.

(56) **References Cited**

U.S. PATENT DOCUMENTS

4,277,910	A *	7/1981	Kramer	.....	446/73
D287,636	S *	1/1987	Callju	.....	D24/198
D325,232	S *	4/1992	Phelps	.....	D21/655
5,344,355	A *	9/1994	Silverstein	.....	446/72
D392,697	S *	3/1998	Grasso	.....	D21/605
D402,761	S *	12/1998	Jones	.....	D21/604
5,871,184	A *	2/1999	Kaopio	.....	D21/604
D414,828	S *	10/1999	Sant	.....	D21/612
D415,540	S *	10/1999	Sant	.....	D21/605
D443,065	S *	5/2001	Byes et al.	.....	D24/195
6,666,740	B1	12/2003	Schneider		
6,824,112	B2 *	11/2004	Lange	.....	446/73
D500,817	S *	1/2005	Forte	.....	D21/604
D519,581	S *	4/2006	Velez et al.	.....	D21/611
D522,593	S *	6/2006	Kennedy	.....	D21/655

**1 Claim, 4 Drawing Sheets**



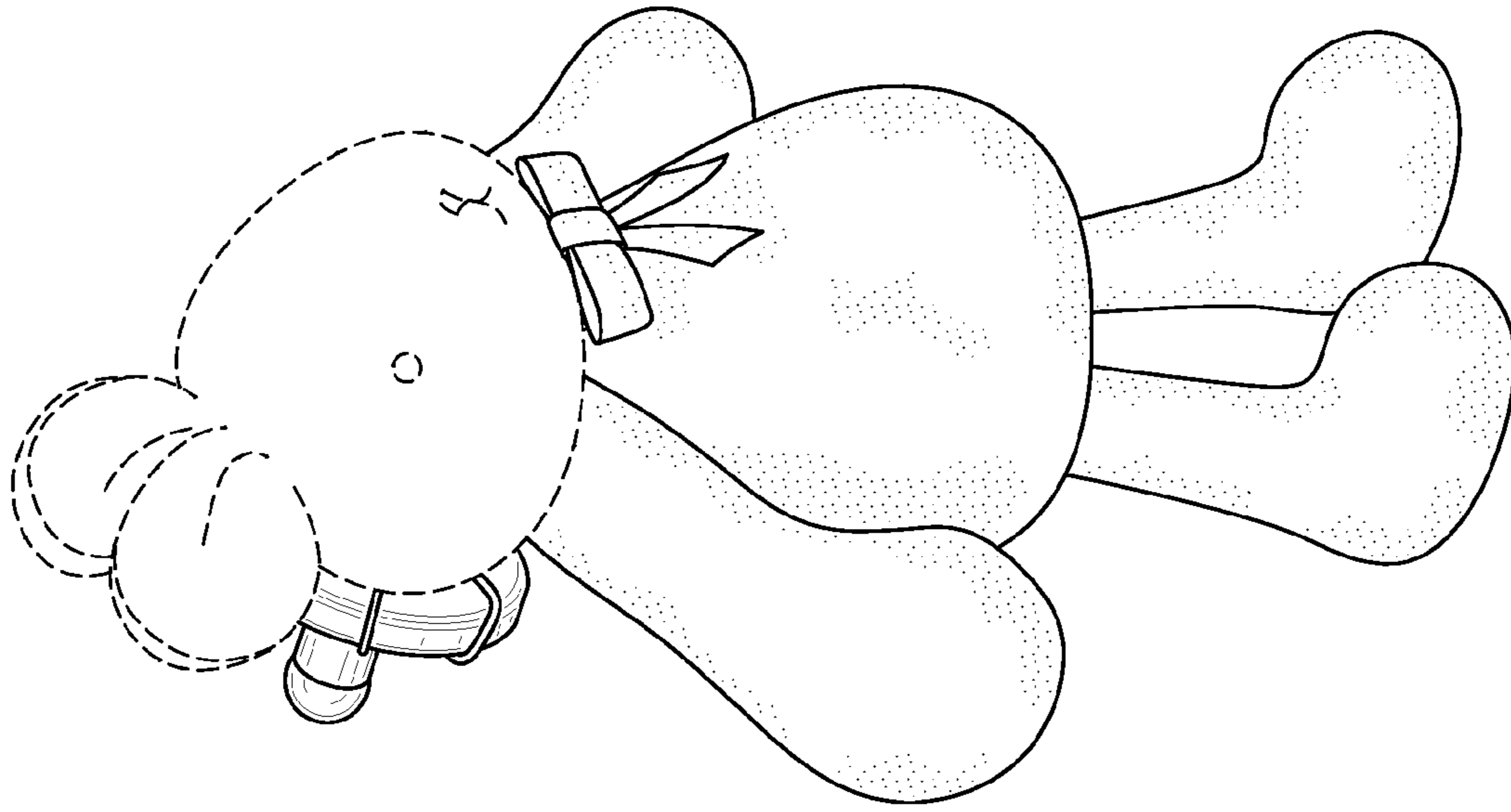


FIG. 2

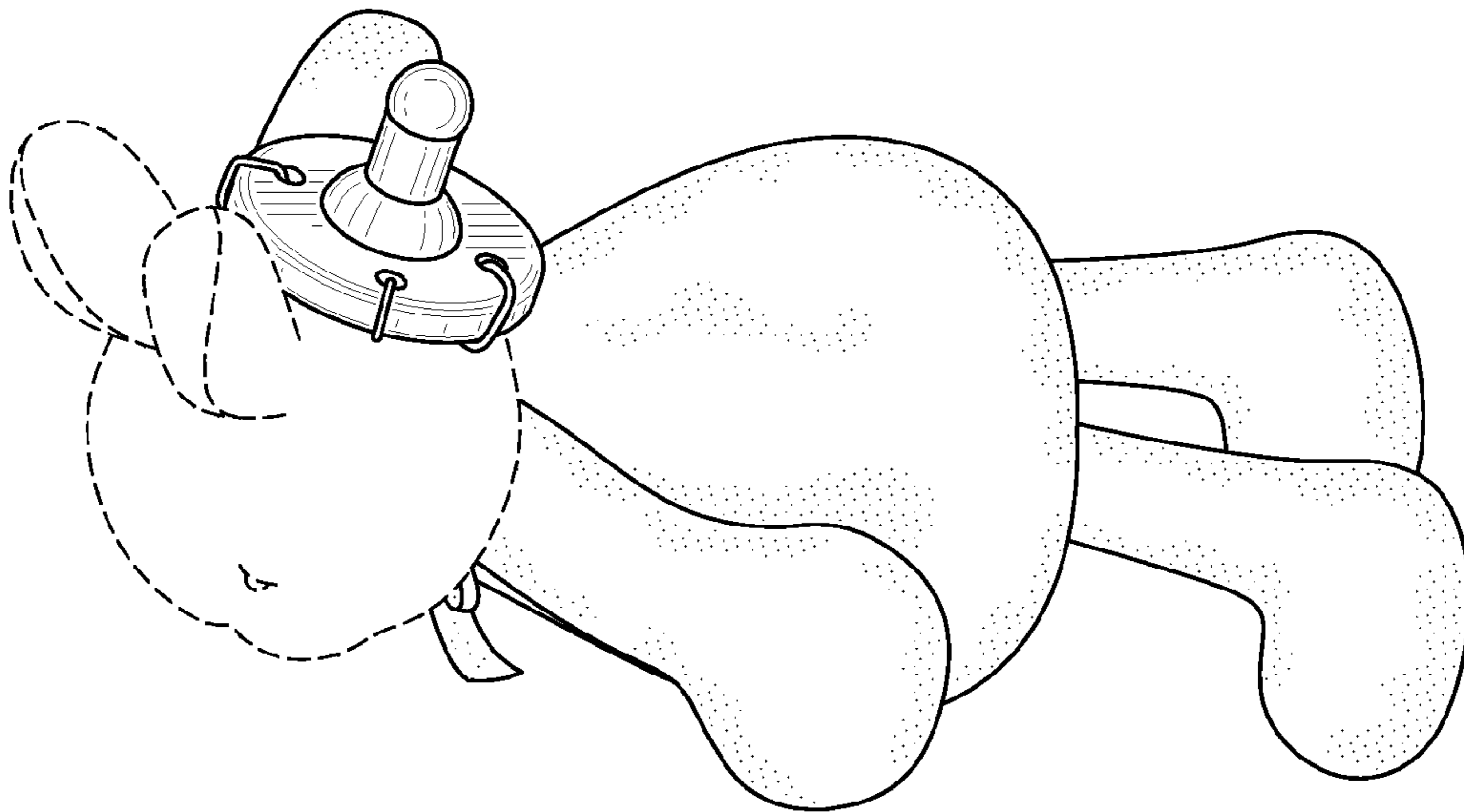


FIG. 1

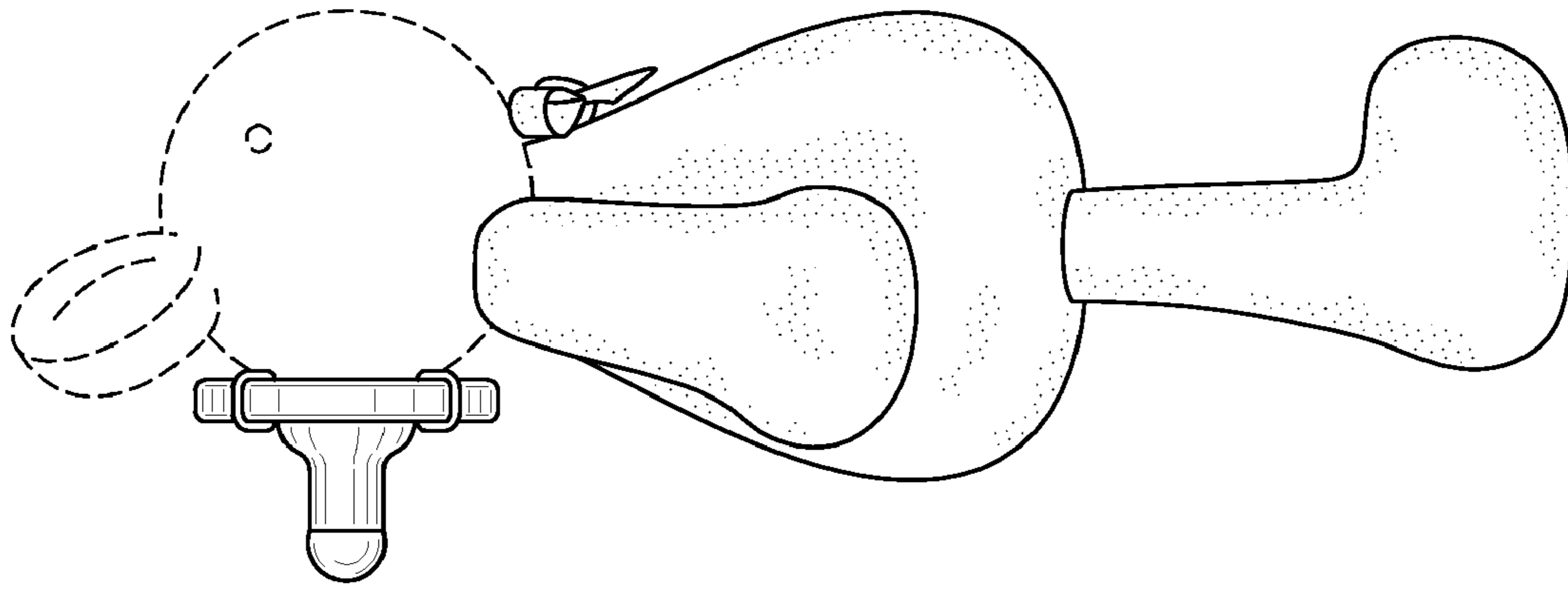


FIG. 4

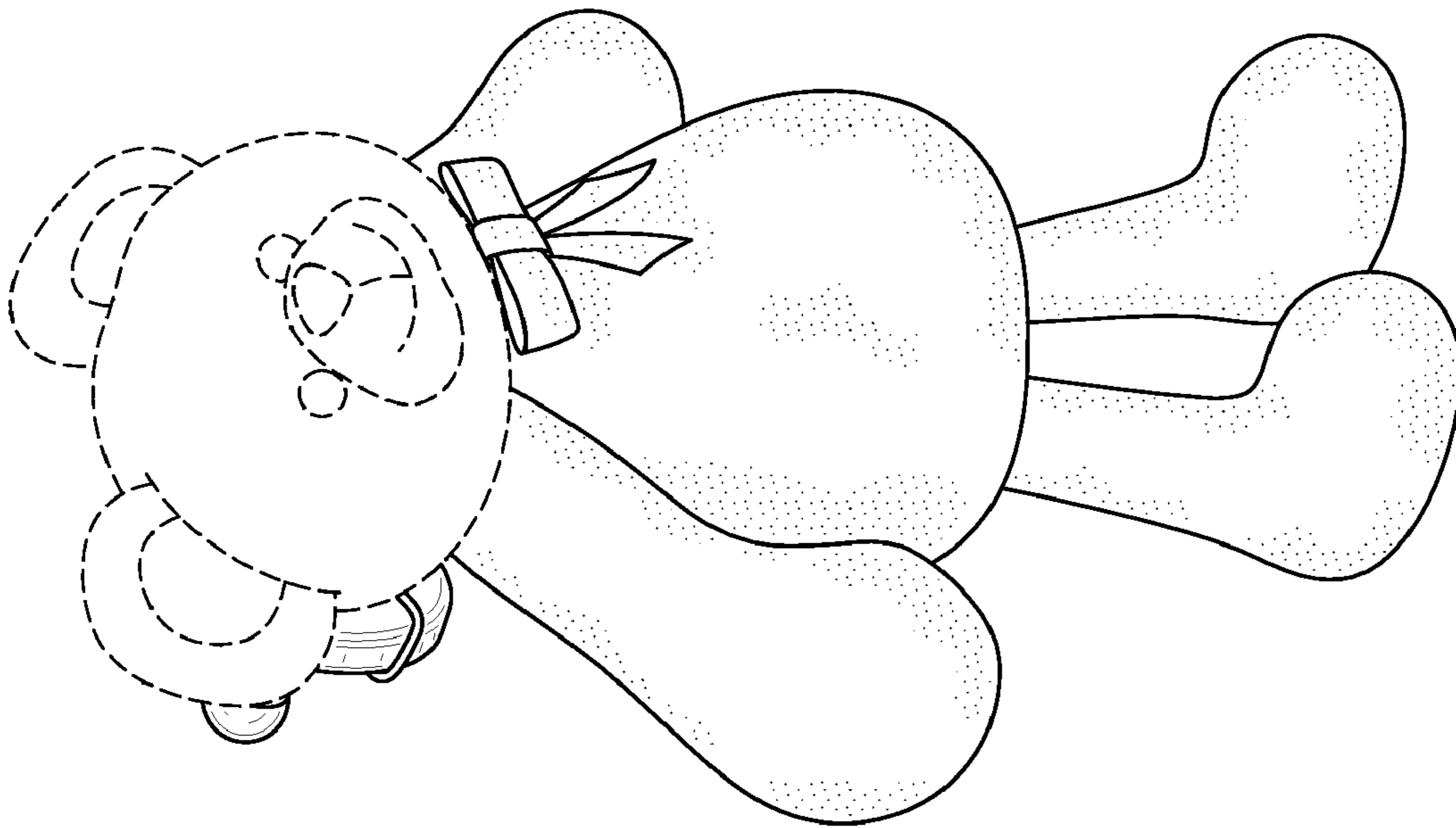


FIG. 3

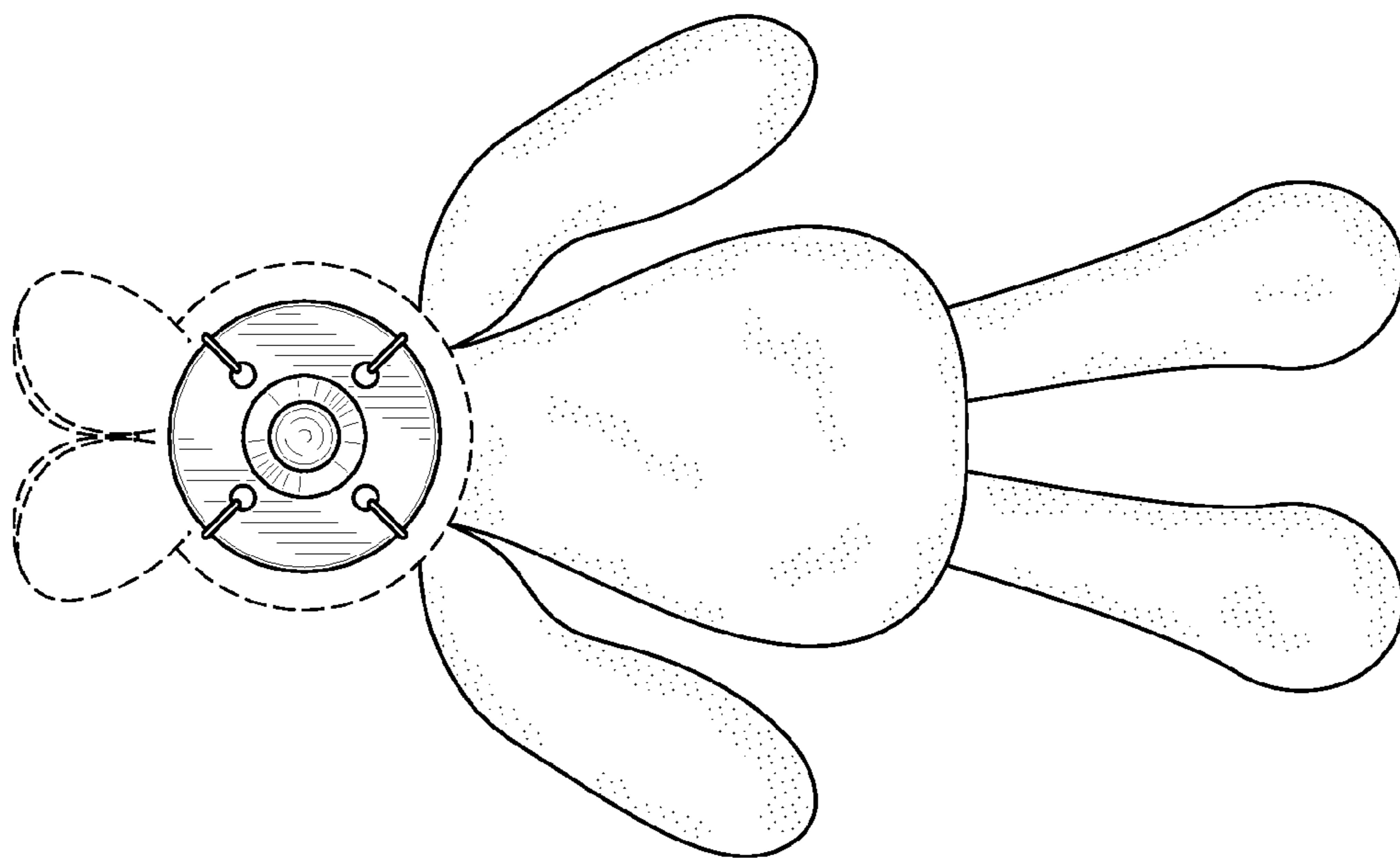


FIG. 6

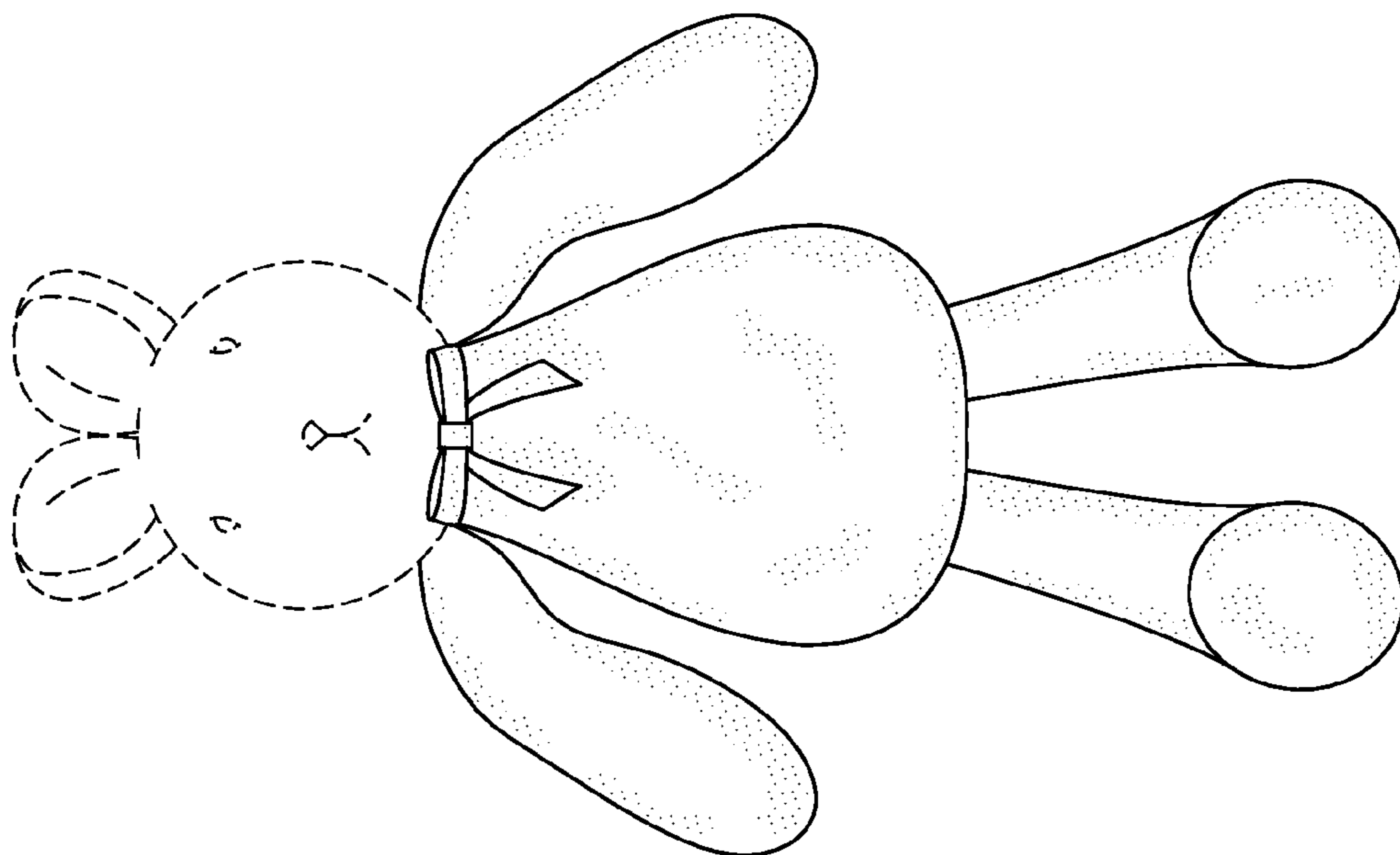


FIG. 5

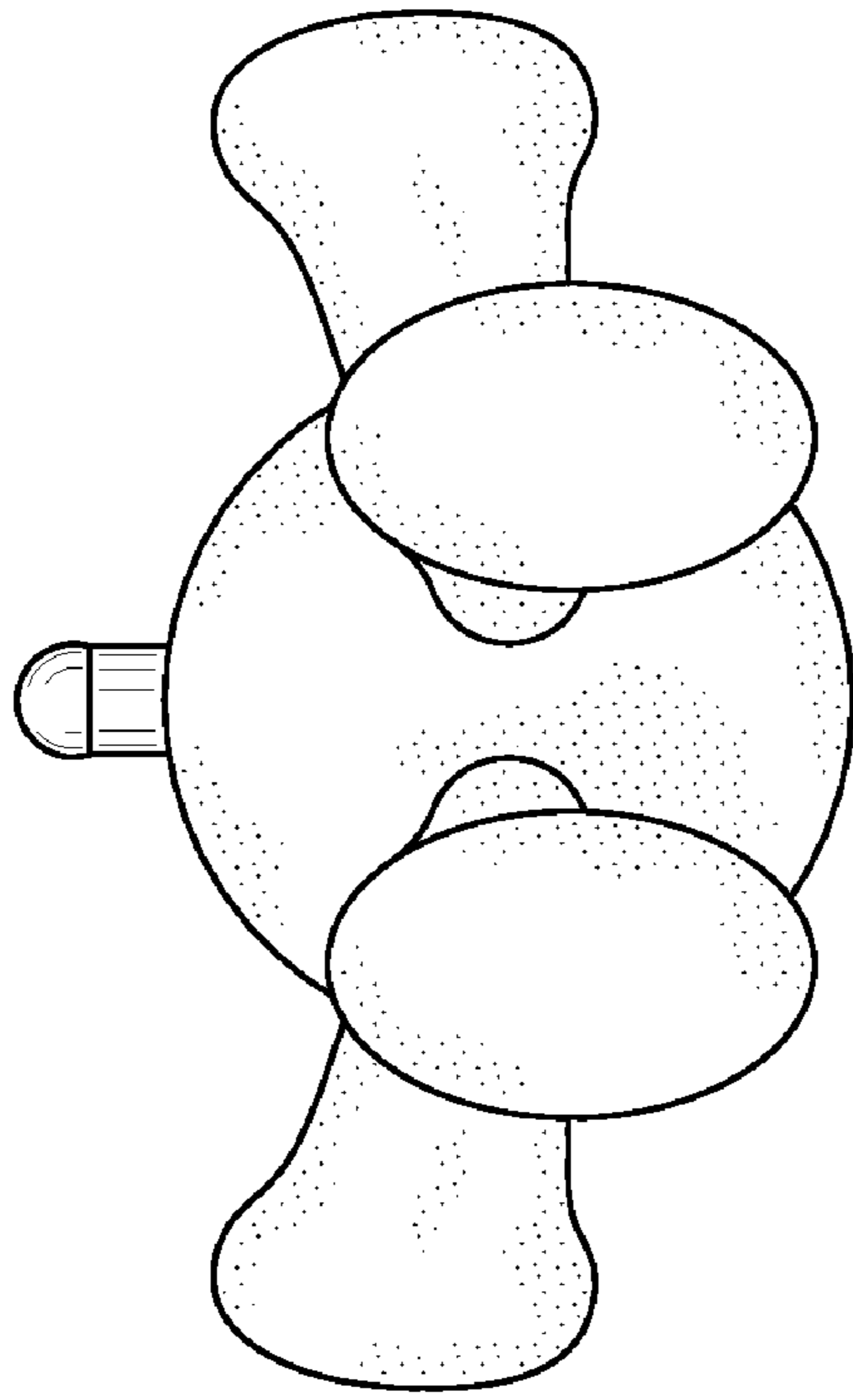


FIG. 8

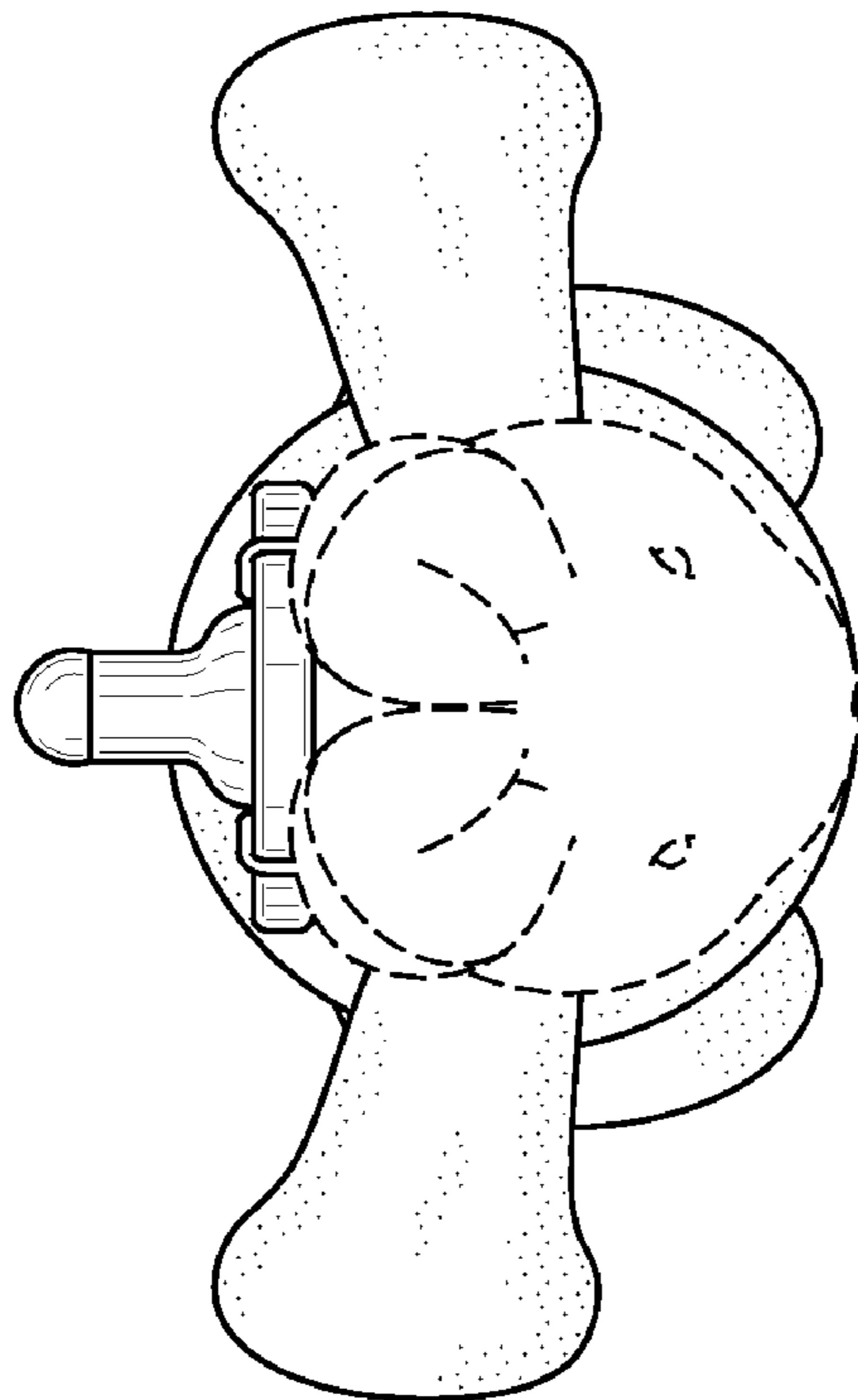


FIG. 7