



US00D633561S

(12) **United States Design Patent**
Malen

(10) **Patent No.:** **US D633,561 S**
(45) **Date of Patent:** **** Mar. 1, 2011**

- (54) **TOOTHBRUSH TRAINING DEVICE**
- (76) Inventor: **Robert C. Malen**, Birmingham, MI (US)
- (**) Term: **14 Years**
- (21) Appl. No.: **29/364,764**
- (22) Filed: **Jun. 28, 2010**

5,810,601 A 9/1998 Williams
 D405,996 S 2/1999 Mickler et al.
 5,989,036 A 11/1999 Schwartz
 6,257,895 B1 * 7/2001 Oestreich 434/274
 6,345,015 B1 2/2002 Coulson

Related U.S. Application Data

- (63) Continuation of application No. 29/351,070, filed on Nov. 30, 2009, now Pat. No. Des. 618,727.
- (51) **LOC (9) Cl.** **19-07**
- (52) **U.S. Cl.** **D19/62**
- (58) **Field of Classification Search** D19/59-64;
 434/256-257, 262-267, 272, 295-296, 433,
 434/274, 213; D21/398, 617, 621, 625, 632,
 D21/643, 645-649, 659; 446/360-361, 382-384,
 446/296; D10/40; D6/527, 531; 368/10;
 D11/160
 See application file for complete search history.

References Cited

U.S. PATENT DOCUMENTS

- D254,224 S 2/1980 Papas
- 4,221,060 A 9/1980 Moskowitz et al.
- 4,231,181 A 11/1980 Fabricant
- 4,242,812 A * 1/1981 Randoll et al. 434/263
- 4,253,212 A 3/1981 Fujita
- 4,435,163 A 3/1984 Schmitt et al.
- 4,716,614 A 1/1988 Jones et al.
- 4,770,637 A 9/1988 Harrell, Jr.
- 4,812,127 A 3/1989 Hernandez
- 4,866,807 A 9/1989 Kreit et al.
- 4,934,940 A 6/1990 Savery
- 4,968,256 A * 11/1990 Lang et al. 434/263
- D321,721 S 11/1991 Prager
- 5,108,292 A * 4/1992 Kirk et al. 434/263
- D330,822 S 11/1992 Steiner
- 5,232,370 A 8/1993 Hoye
- D339,834 S 9/1993 Foreman
- 5,673,451 A 10/1997 Moore et al.
- D394,013 S 5/1998 Morelli et al.

(Continued)

Primary Examiner—T. Chase Nelson
Assistant Examiner—Mark Cavanna
 (74) *Attorney, Agent, or Firm*—Harness, Dickey & Pierce, P.L.C.

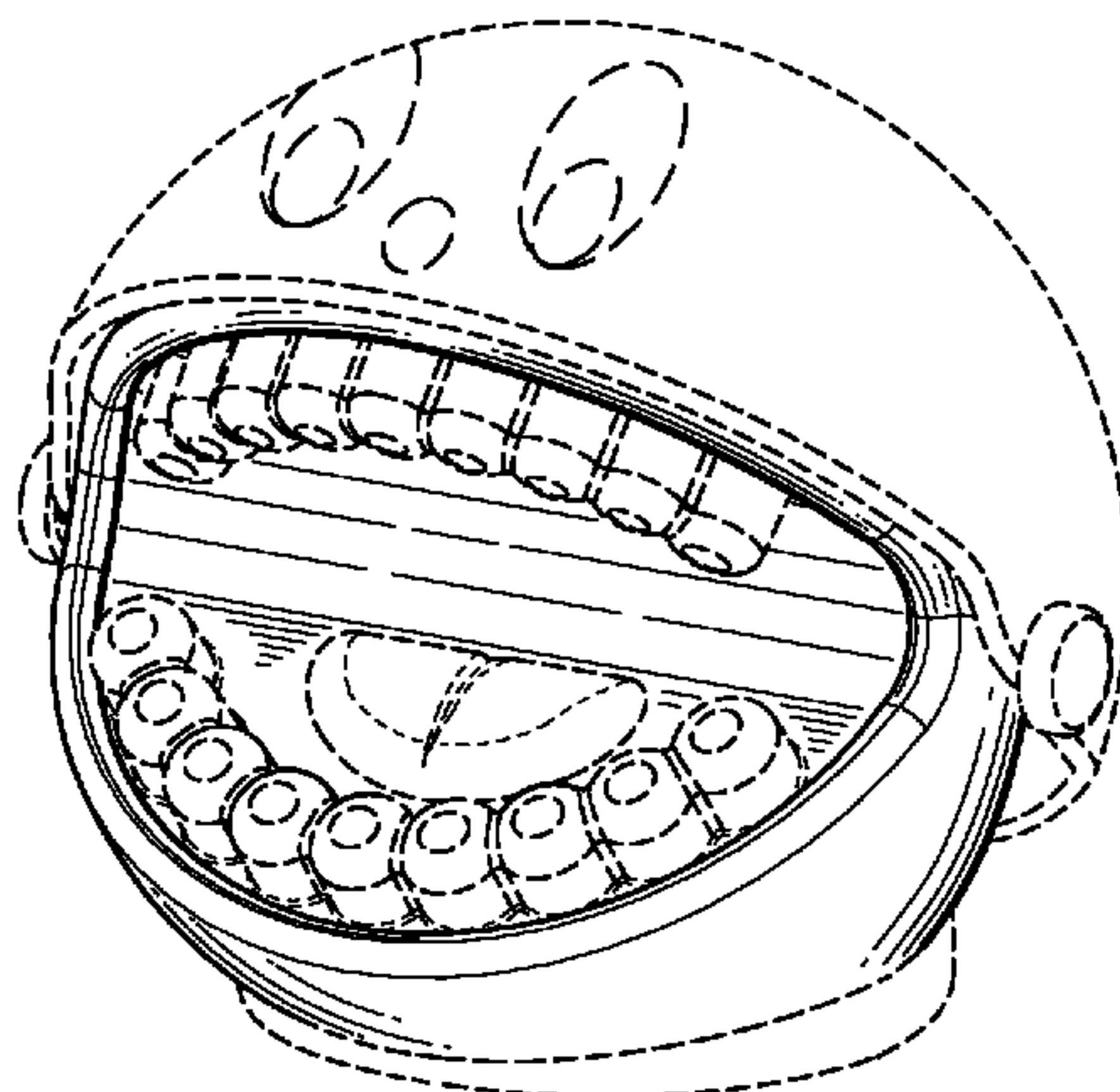
(57) **CLAIM**

The ornamental design for a toothbrush training device, as shown and described.

DESCRIPTION

FIG. 1 is a front view of a toothbrush training device in accordance with the present teachings.
 FIG. 2 is a side view of the toothbrush training device of FIG. 1.
 FIG. 3 is a rear view of the toothbrush training device of FIG. 1.
 FIG. 4 is an opposite side view of the toothbrush training device of FIG. 1.
 FIG. 5 is a top view of the toothbrush training device of FIG. 1.
 FIG. 6 is a bottom view of the toothbrush training device of FIG. 1; and,
 FIG. 7 is a perspective view of the toothbrush training device of FIG. 1.
 The broken line showing portions of the toothbrush training device form no part of the claimed design.

1 Claim, 2 Drawing Sheets



US D633,561 S

Page 2

U.S. PATENT DOCUMENTS

D458,548 S	6/2002	Schmidt	7,001,270 B2	2/2006	Taub
6,461,164 B1	10/2002	Ramelli	D578,025 S	10/2008	Dunlap
6,719,562 B1 *	4/2004	Oestreich 433/213	2006/0040246 A1	2/2006	Ding et al.
D499,591 S	12/2004	Hernandez et al.	2008/0176198 A1	7/2008	Ansari et al.
6,926,532 B1	8/2005	Brattesani	2008/0227071 A1	9/2008	Gavriel et al.
			2010/0075286 A1	3/2010	Krause et al.

* cited by examiner

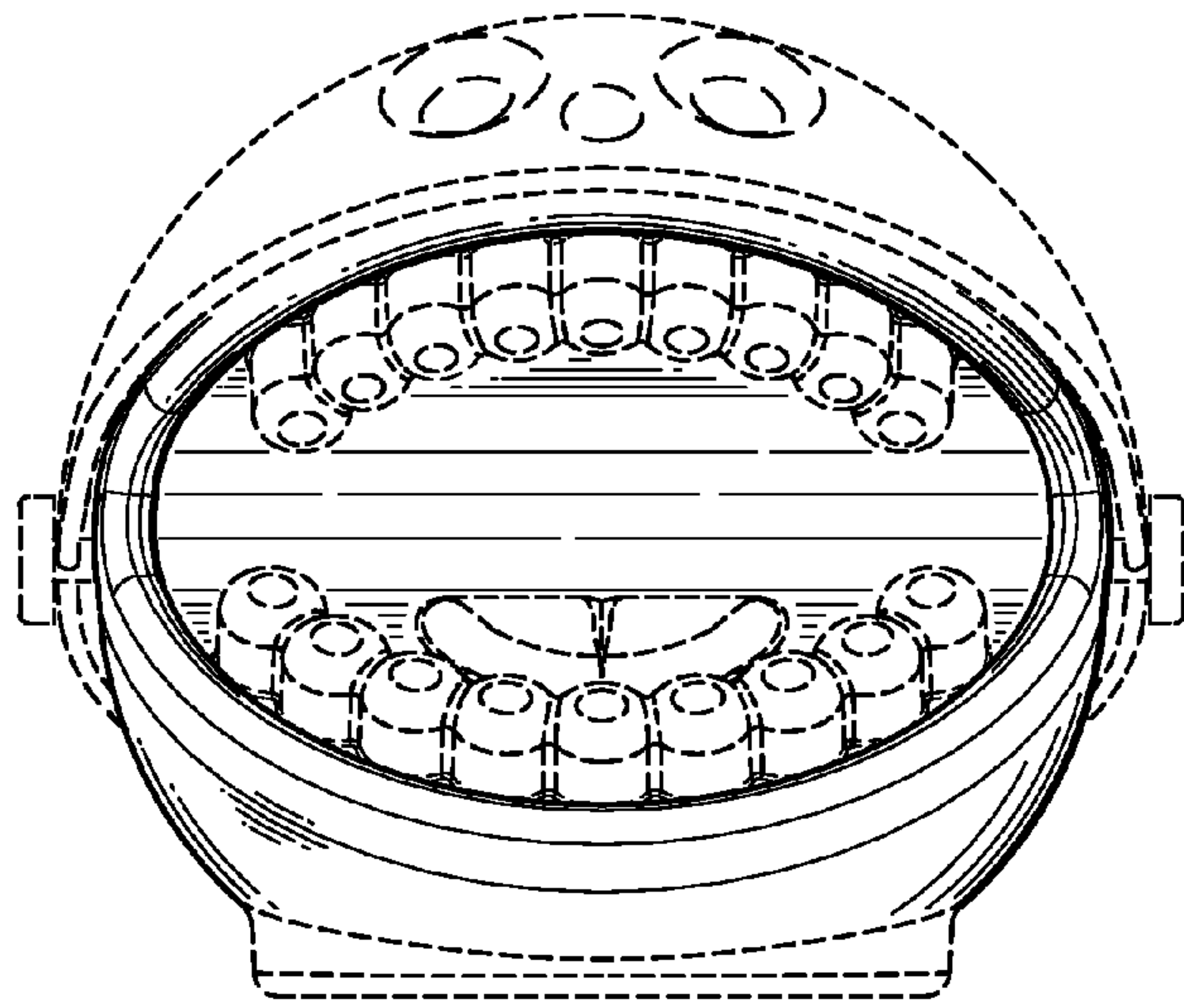


FIG. 1

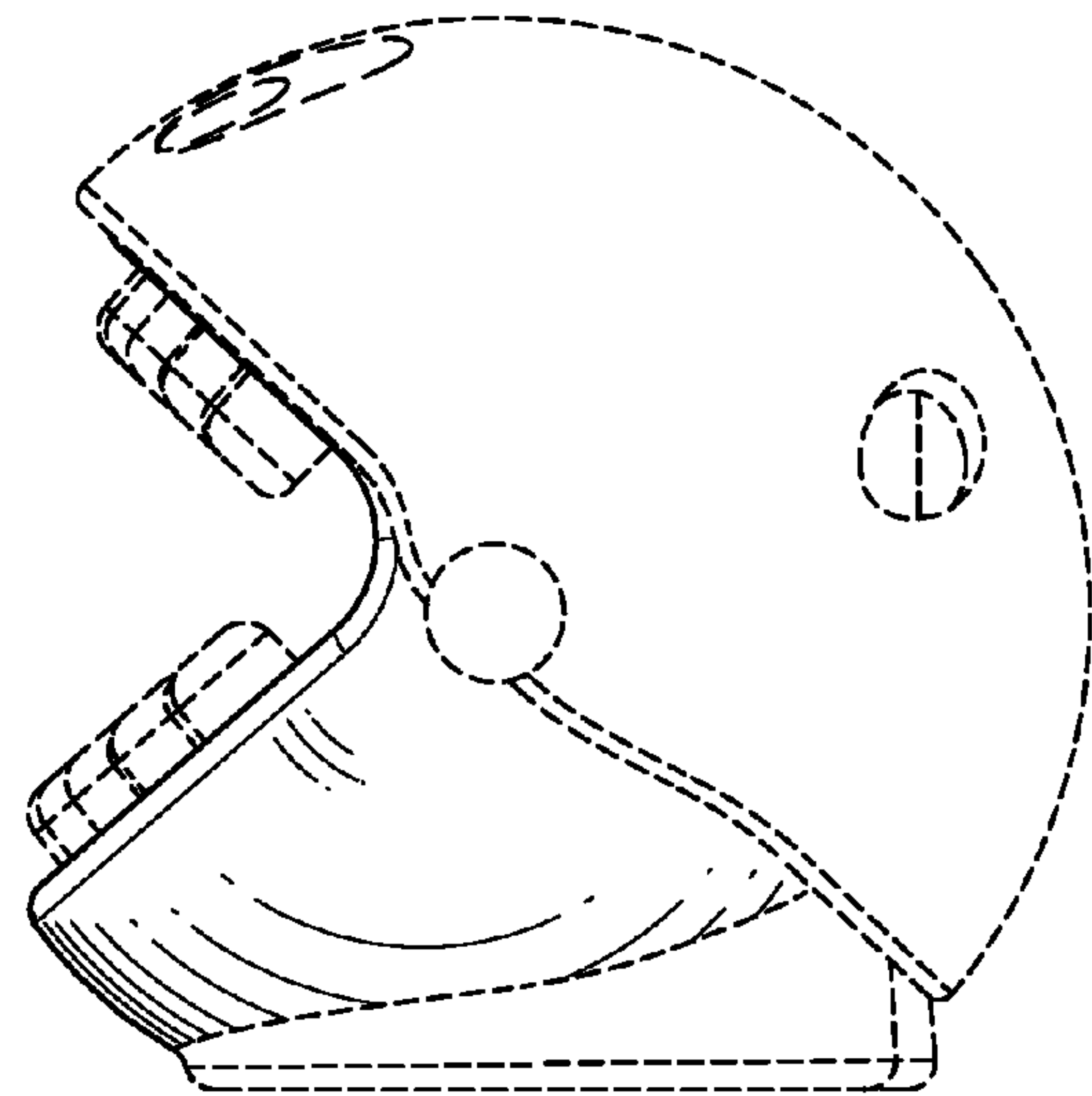


FIG. 2

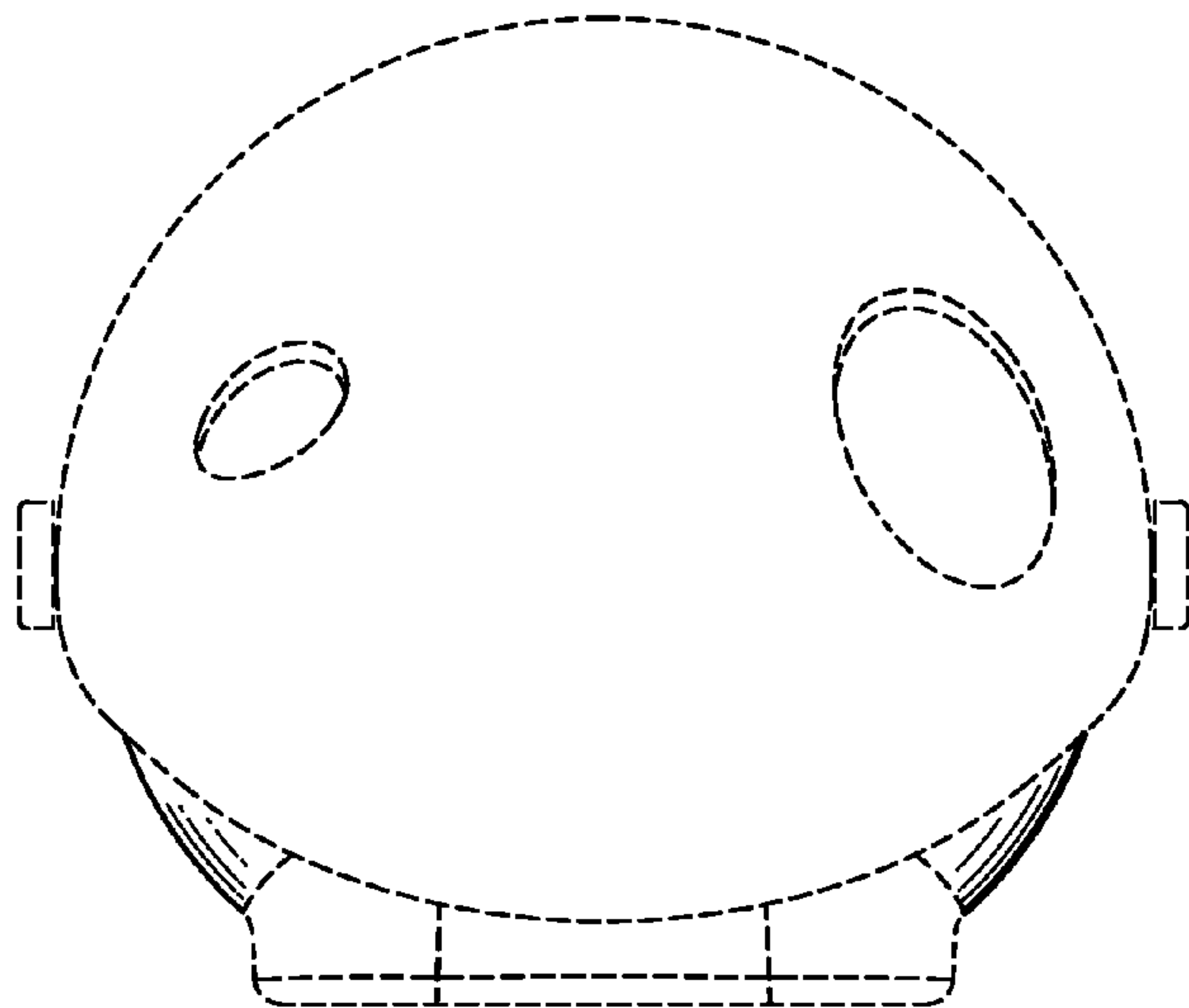


FIG. 3

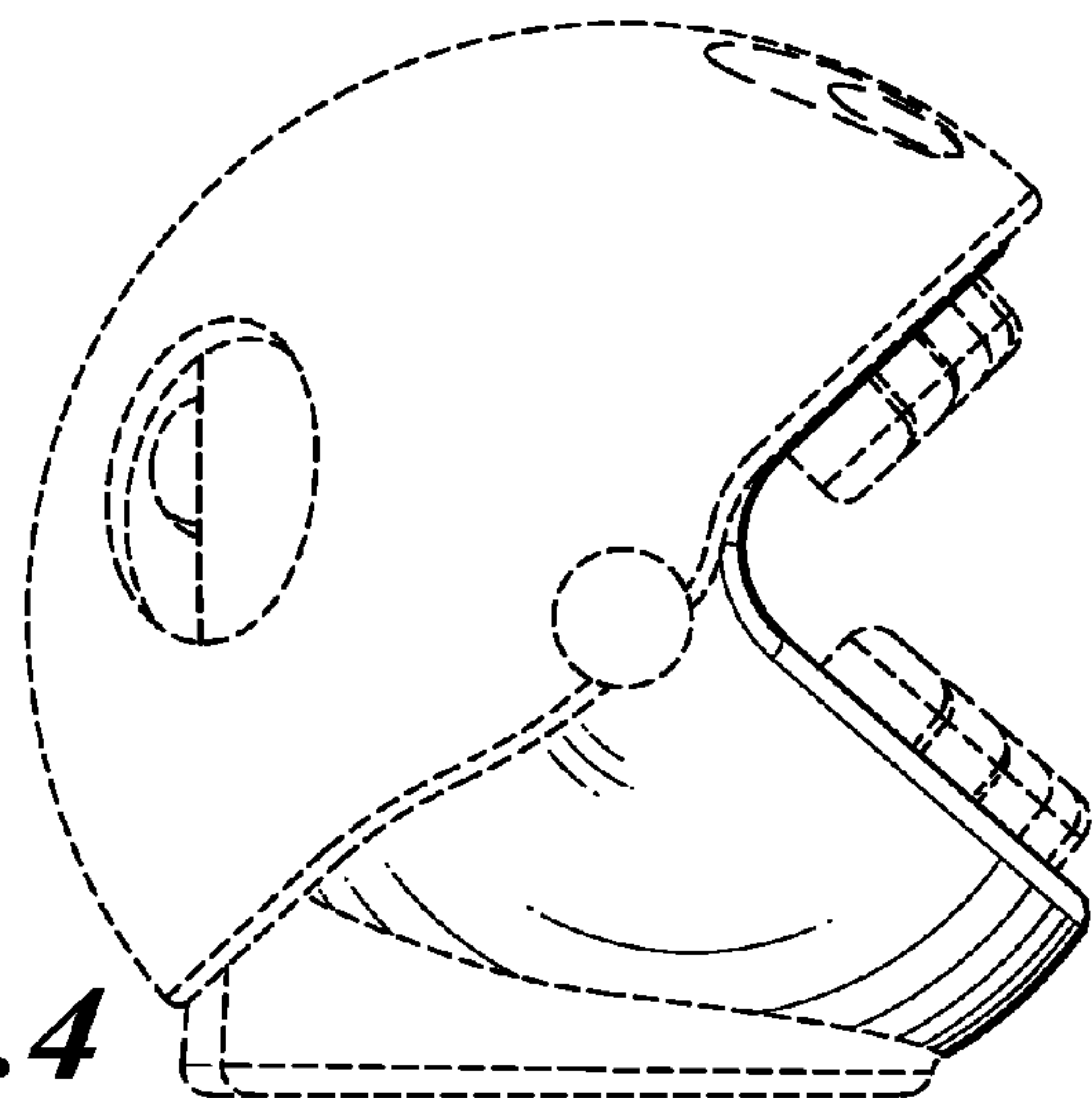


FIG. 4

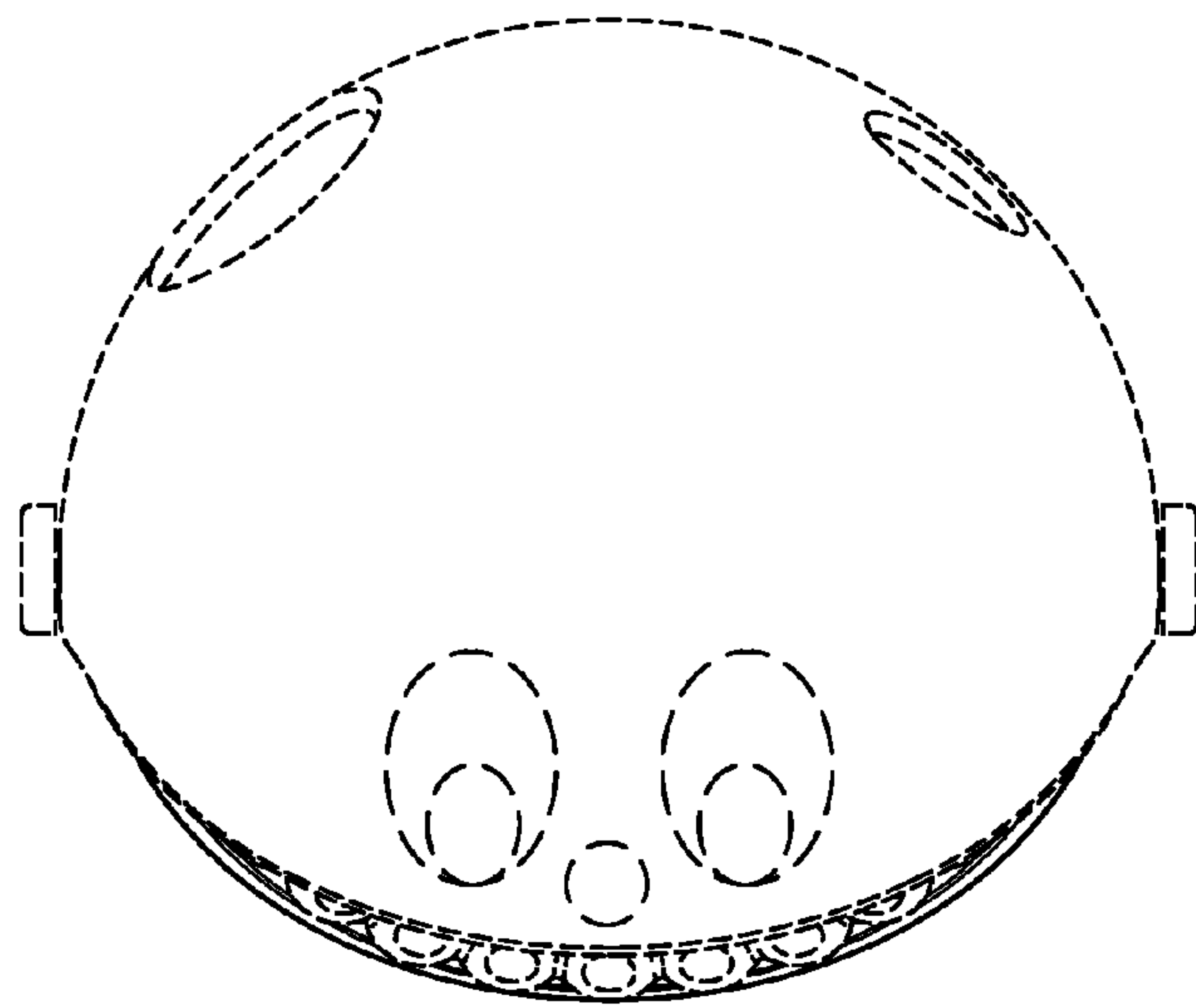


FIG. 5

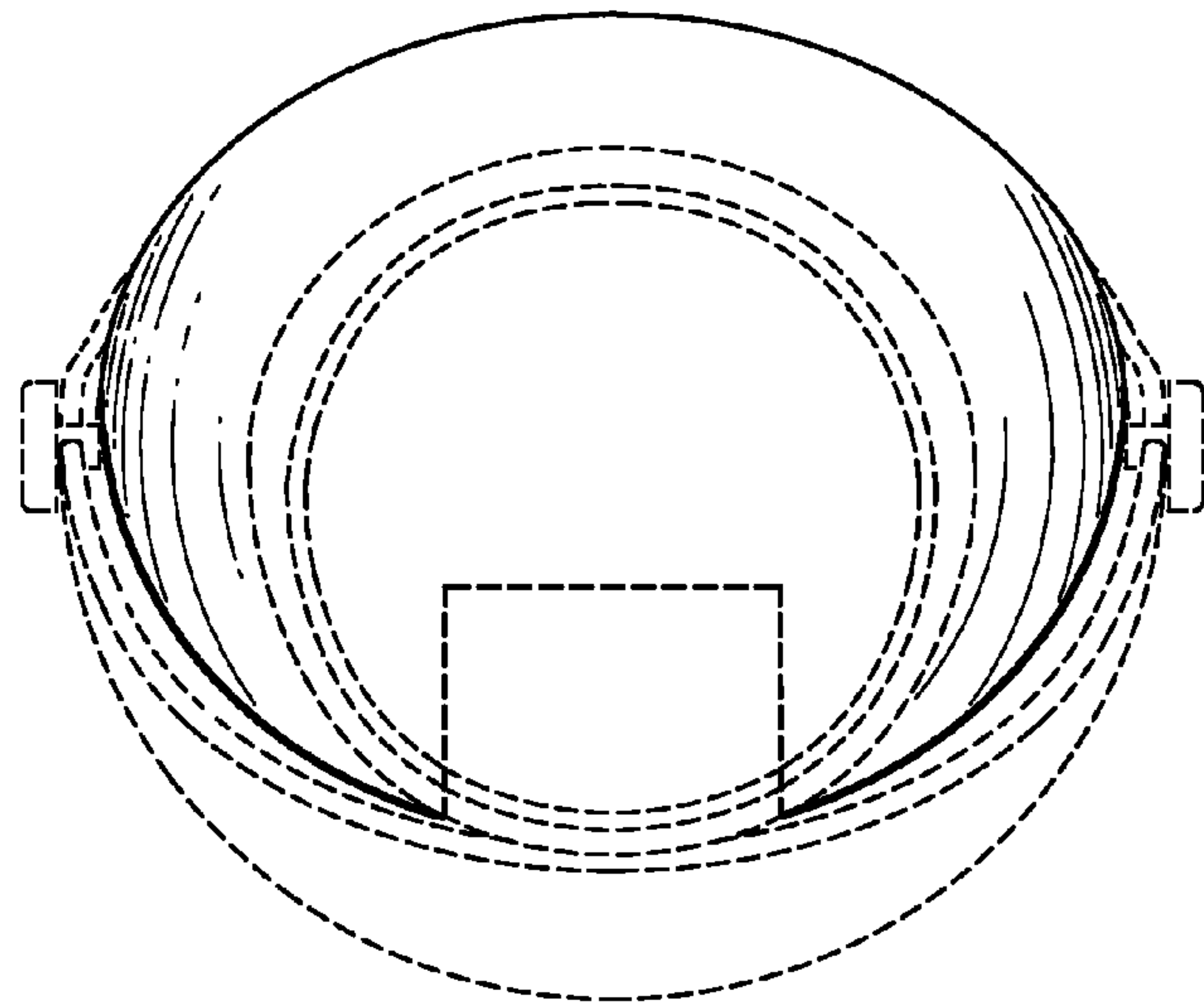


FIG. 6

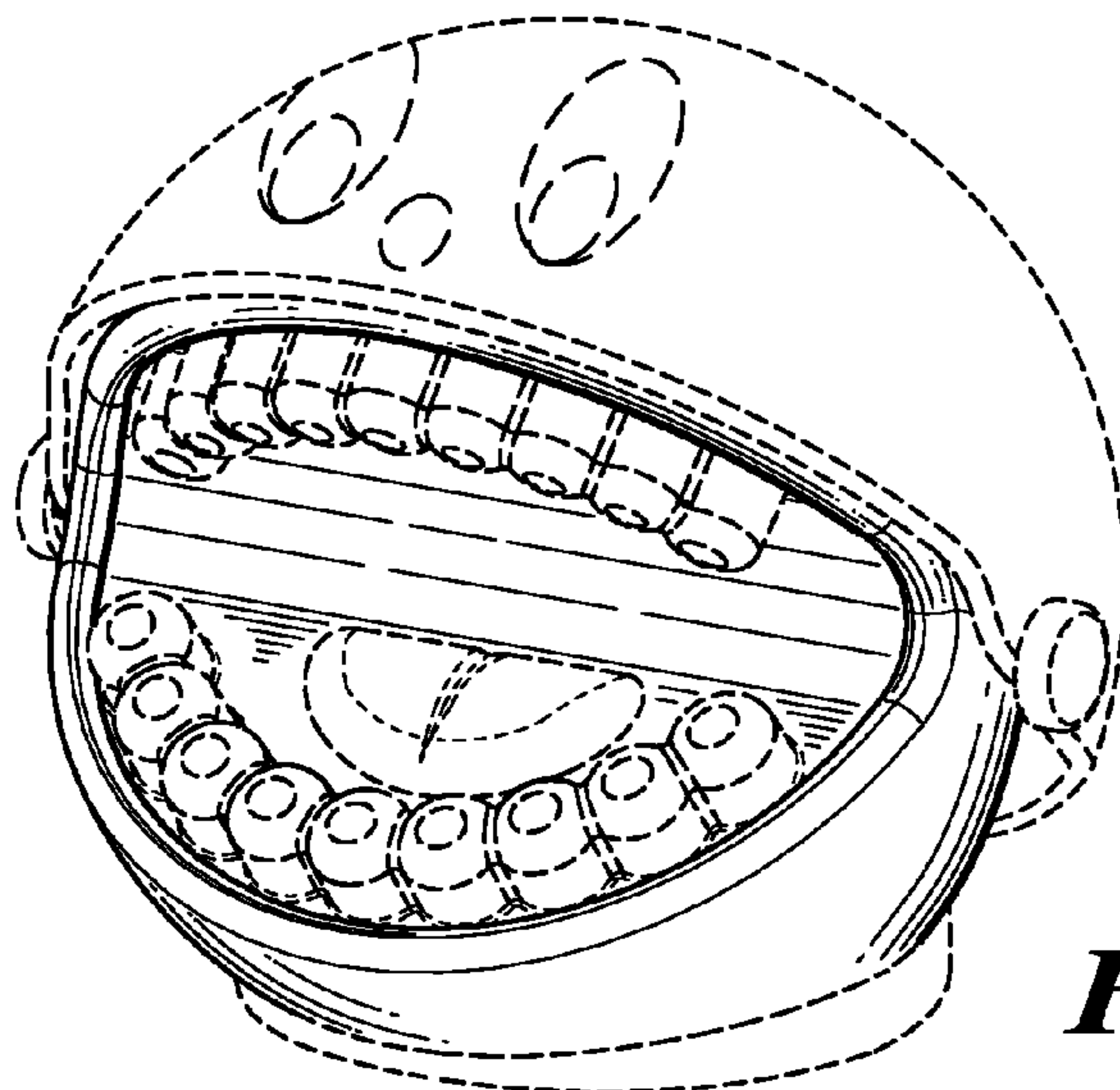


FIG. 7