



US00D633560S

(12) **United States Design Patent**  
**Clivio**

(10) **Patent No.:** **US D633,560 S**

(45) **Date of Patent:** **\*\* Mar. 1, 2011**

(54) **HANDWRITING INSTRUMENT**

(75) Inventor: **Franco Clivio**, Erlenbach (CH)

(73) Assignee: **C. Josef Lamy GmbH** (DE)

(\*\*) Term: **14 Years**

(21) Appl. No.: **29/316,796**

(22) Filed: **Nov. 2, 2009**

(30) **Foreign Application Priority Data**

May 15, 2009 (WO) ..... DM/071 785

(51) **LOC (9) Cl.** ..... **19-06**

(52) **U.S. Cl.** ..... **D19/45**

(58) **Field of Classification Search** ..... D19/35,  
D19/36, 41-51, 53-57; 24/11 R, 11 F, 11 P;  
401/52, 99, 100, 104-109, 192, 195, 196  
See application file for complete search history.

(56) **References Cited**

**U.S. PATENT DOCUMENTS**

- 1,647,536 A \* 11/1927 Miller ..... 401/88
- 2,233,846 A \* 3/1941 Packard ..... 401/192
- D146,215 S \* 1/1947 Florman ..... D19/51
- D152,847 S \* 2/1949 Weiss ..... D8/104
- 2,658,479 A \* 11/1953 Fried ..... 401/195
- D172,929 S \* 8/1954 Kahla ..... D19/49
- 3,089,465 A \* 5/1963 West ..... 401/160
- D400,301 S \* 10/1998 Wong ..... D28/45
- D410,680 S \* 6/1999 Muller ..... D19/42
- D416,042 S \* 11/1999 Burkhardt, Jr. .... D19/51
- 6,550,997 B1 \* 4/2003 King et al. .... 401/45
- 6,749,355 B2 \* 6/2004 Payne et al. .... 401/195
- D552,176 S \* 10/2007 Schnug ..... D19/51
- 7,306,391 B1 \* 12/2007 Spreier ..... 401/195
- D585,093 S \* 1/2009 Schnug ..... D19/51

D590,883 S \* 4/2009 Dong ..... D19/55

**FOREIGN PATENT DOCUMENTS**

WO DM/054488 \* 12/2000

WO DM/071785 \* 5/2009

\* cited by examiner

*Primary Examiner*—Elizabeth A Albert

(74) *Attorney, Agent, or Firm*—Smith, Gambrell & Russell

(57) **CLAIM**

The ornamental design for a handwriting instrument, as shown and described.

**DESCRIPTION**

FIG. 1 is a perspective view of the top, front and left side of a handwriting instrument showing my new design.

FIG. 2 is a perspective view of the bottom, front and right side thereof.

FIG. 3 is a left side view thereof.

FIG. 4 is a front view thereof.

FIG. 5 is a back view thereof.

FIG. 6 is a top view thereof, enlarged in relation to the other figures.

FIG. 7 is a perspective view of the top and front thereof.

FIG. 8 is a perspective view of the bottom and front thereof.

FIG. 9 is a perspective view of the top, front and left side thereof, shown with the nib extended.

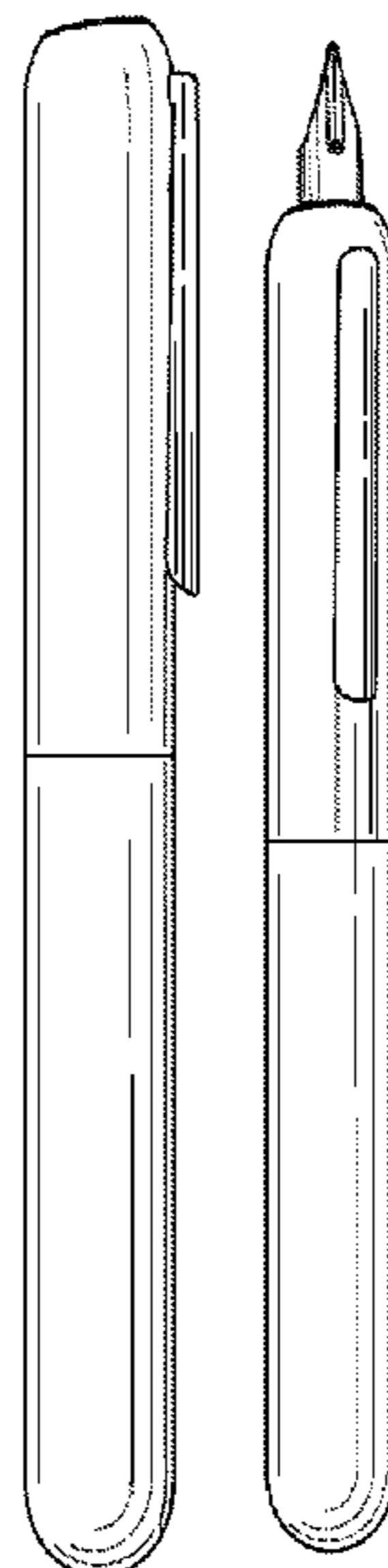
FIG. 10 is a perspective view of the bottom, front and right side thereof, shown with the nib extended.

FIG. 11 is a left side view thereof, shown with the nib extended.

FIG. 12 is a front view thereof, shown the nib extended; and,

FIG. 13 is a bottom view thereof, enlarged in relation to the other figures.

**1 Claim, 13 Drawing Sheets**



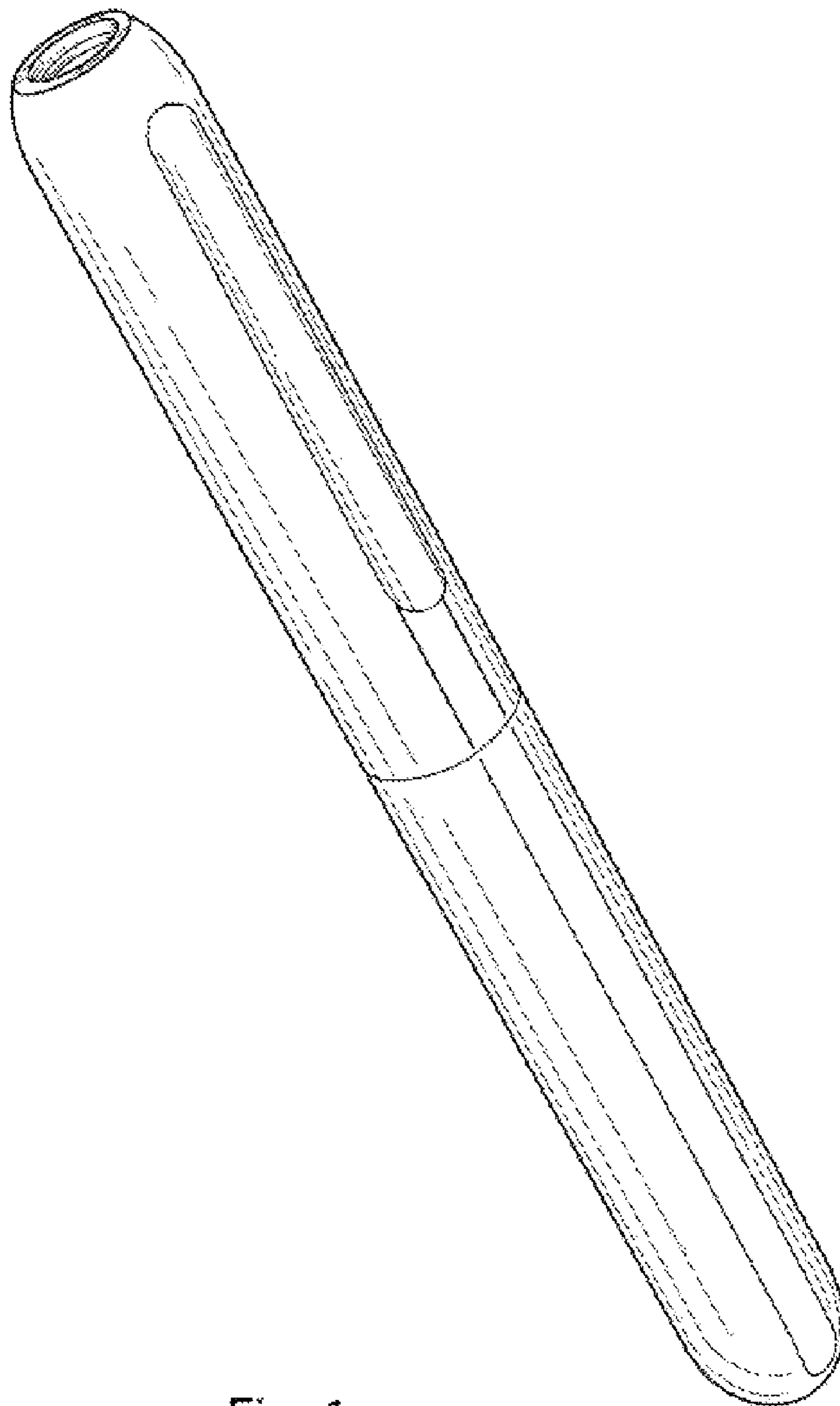


Fig. 1

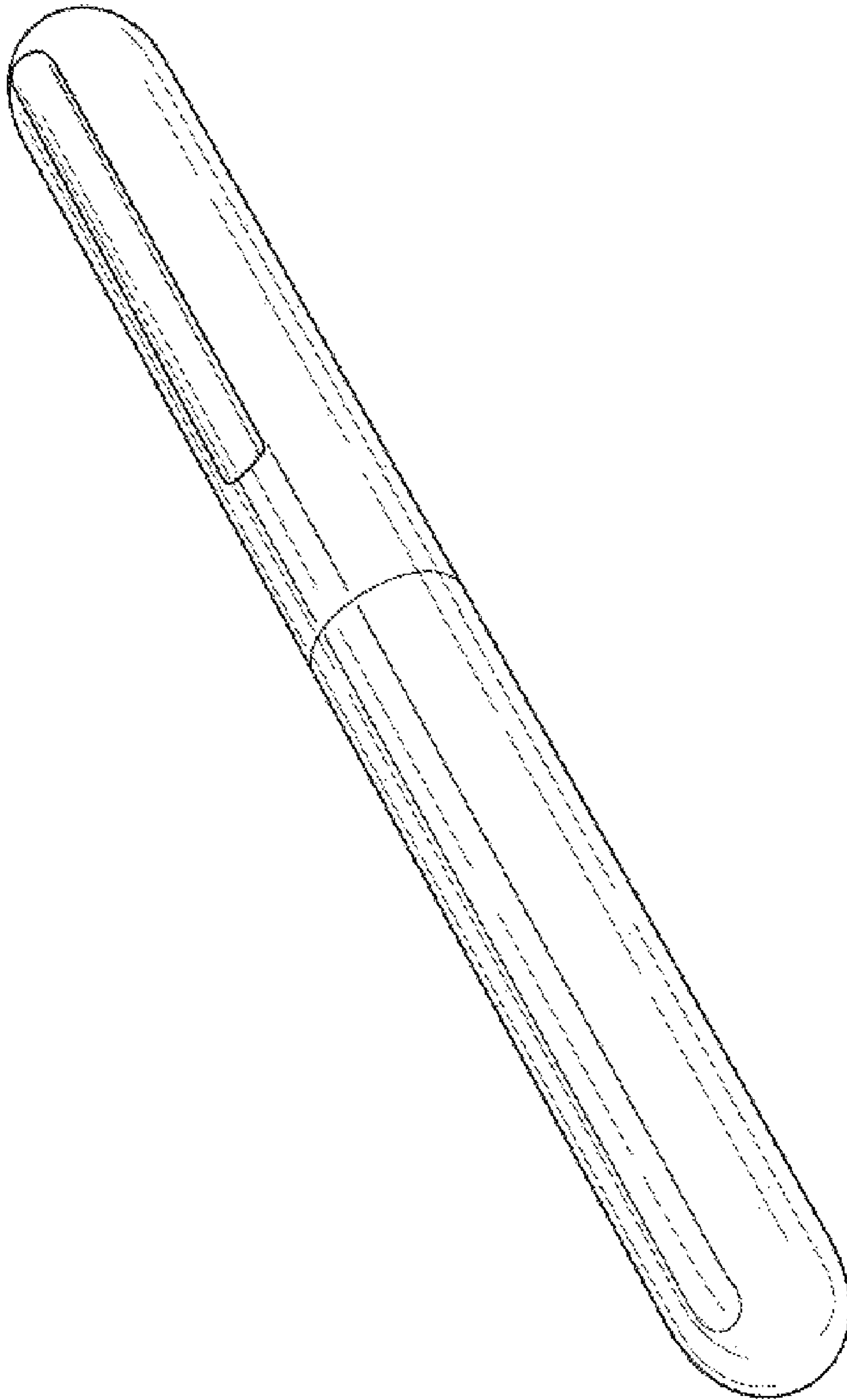


Fig. 2

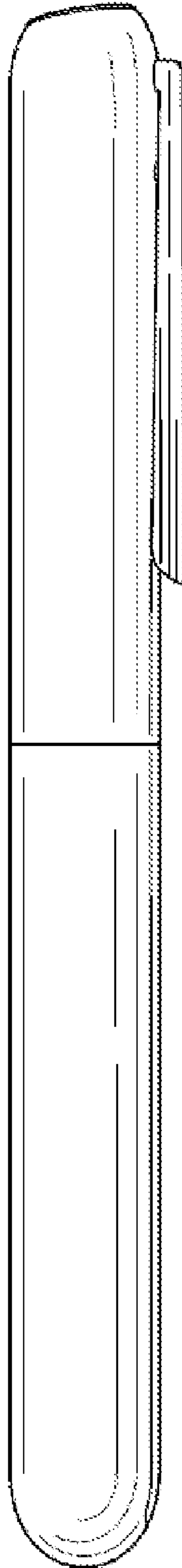


Fig. 3

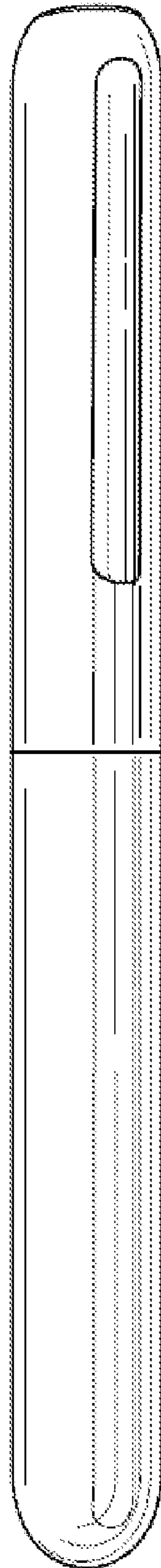


Fig. 4

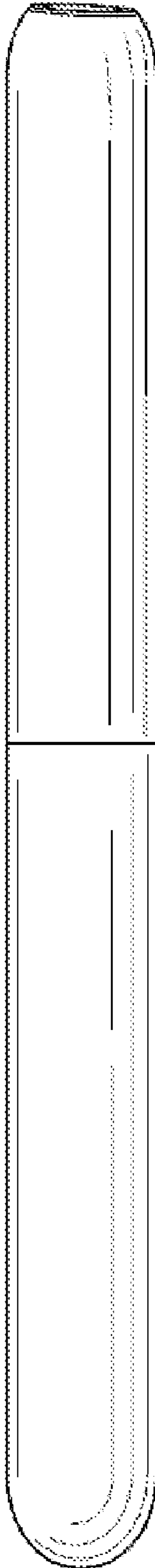


Fig. 5

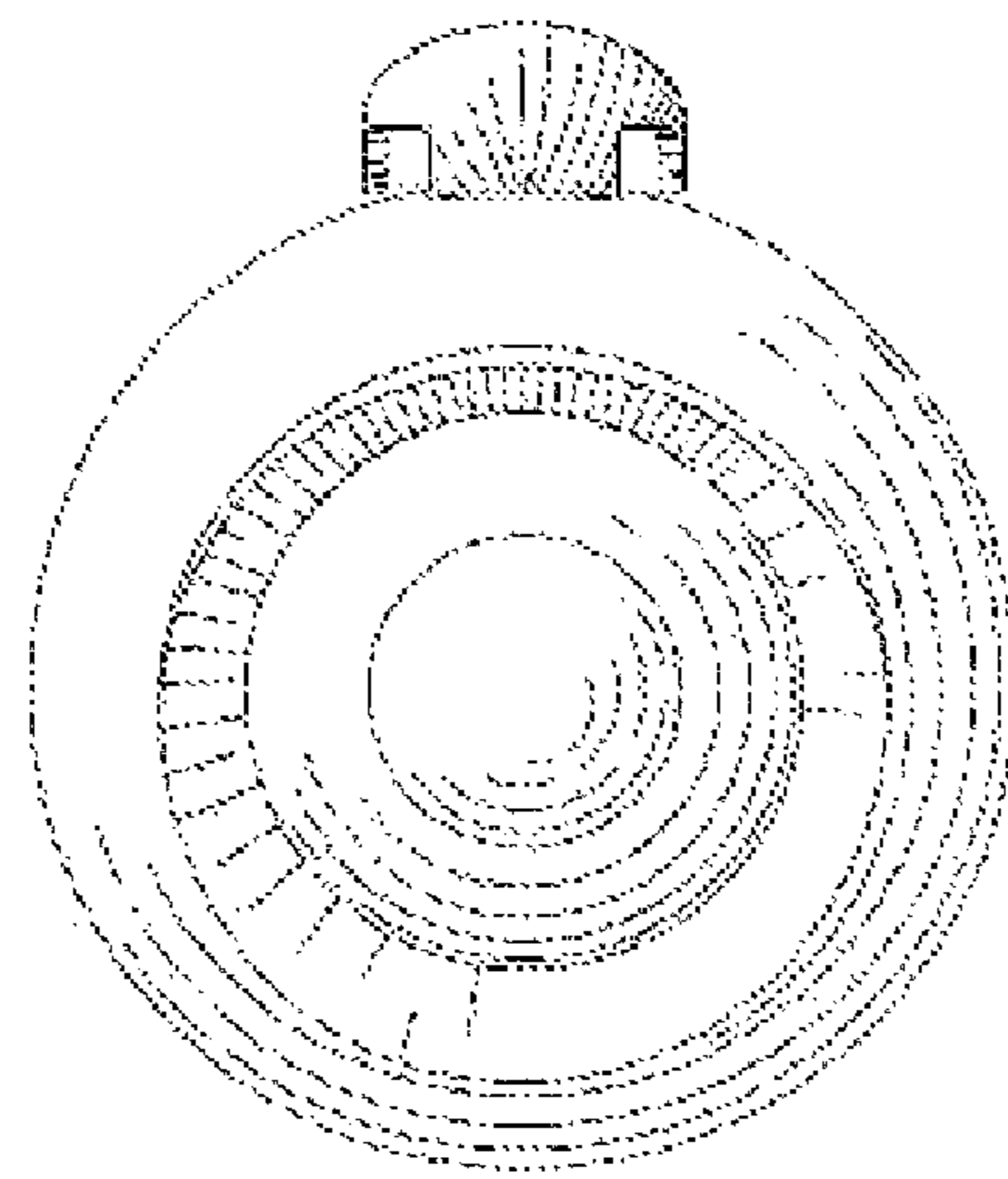


Fig. 6

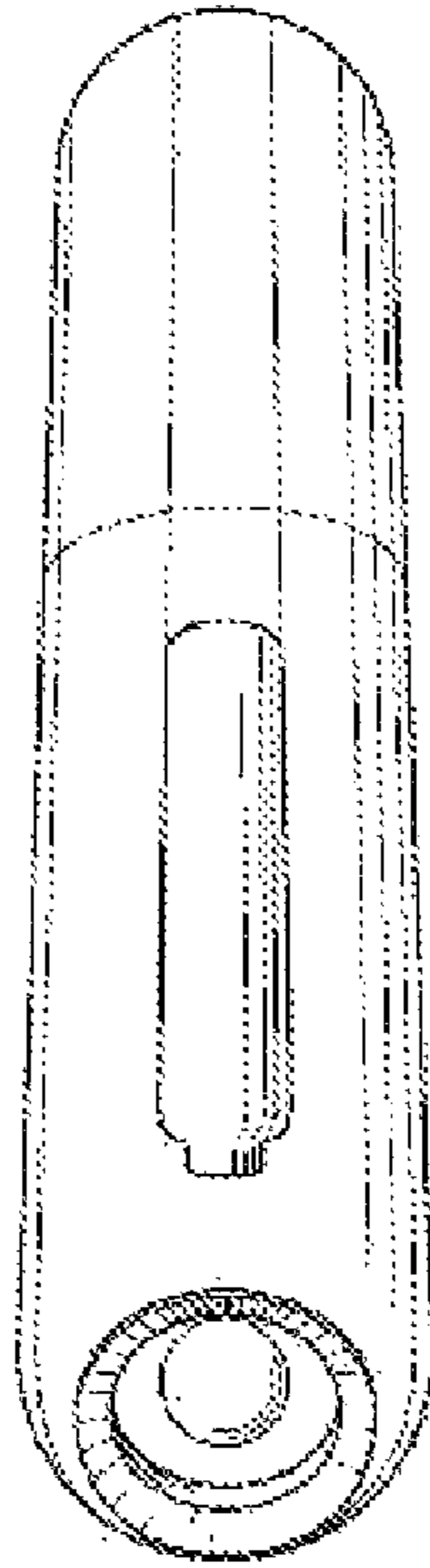


Fig. 7



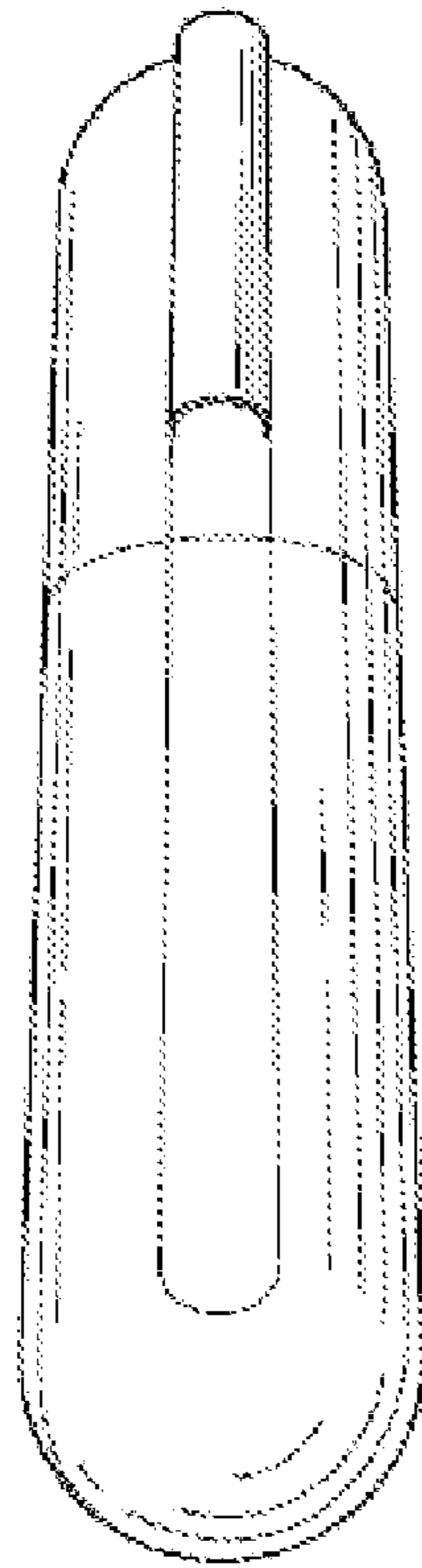


Fig. 8

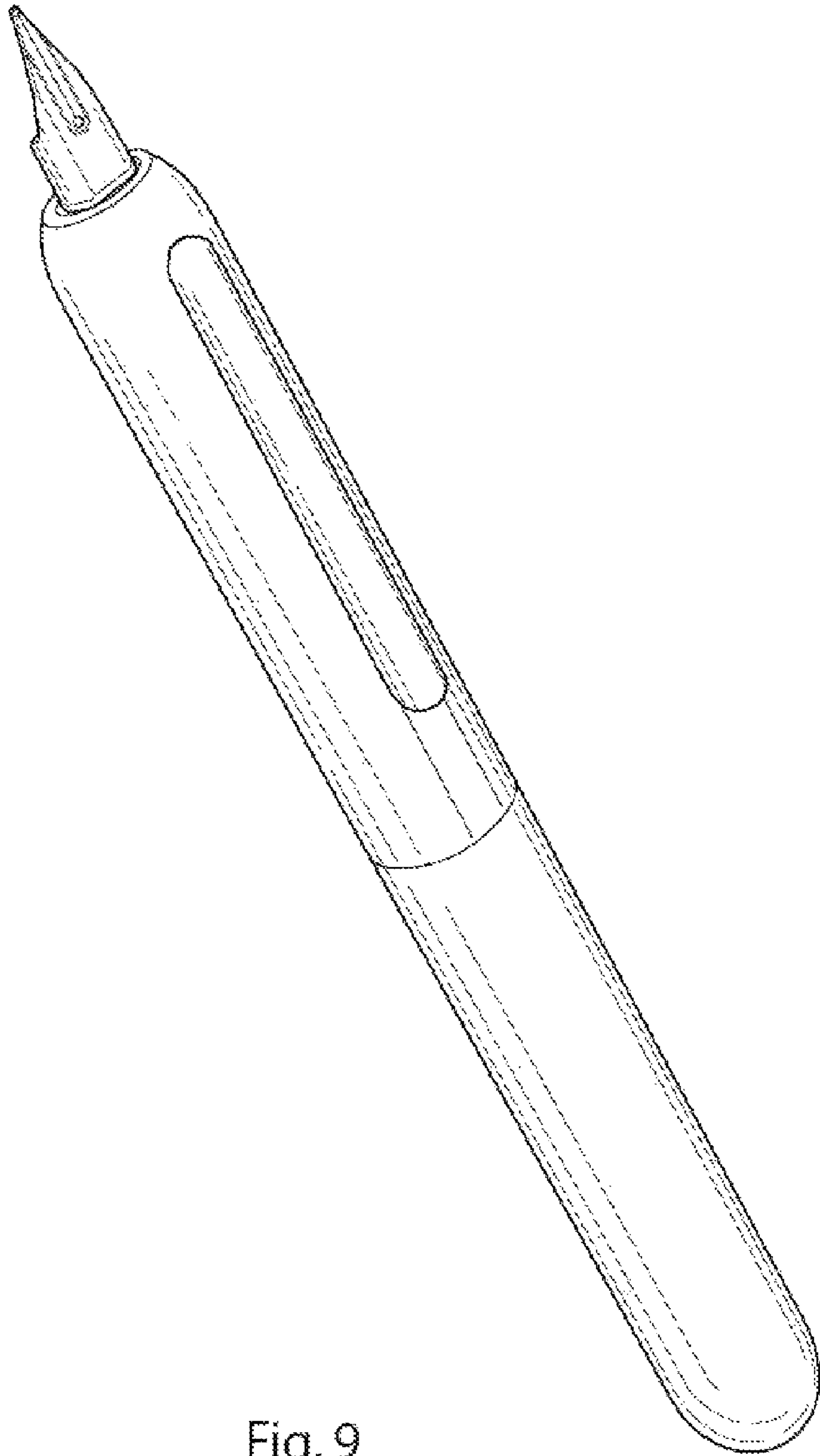


Fig. 9

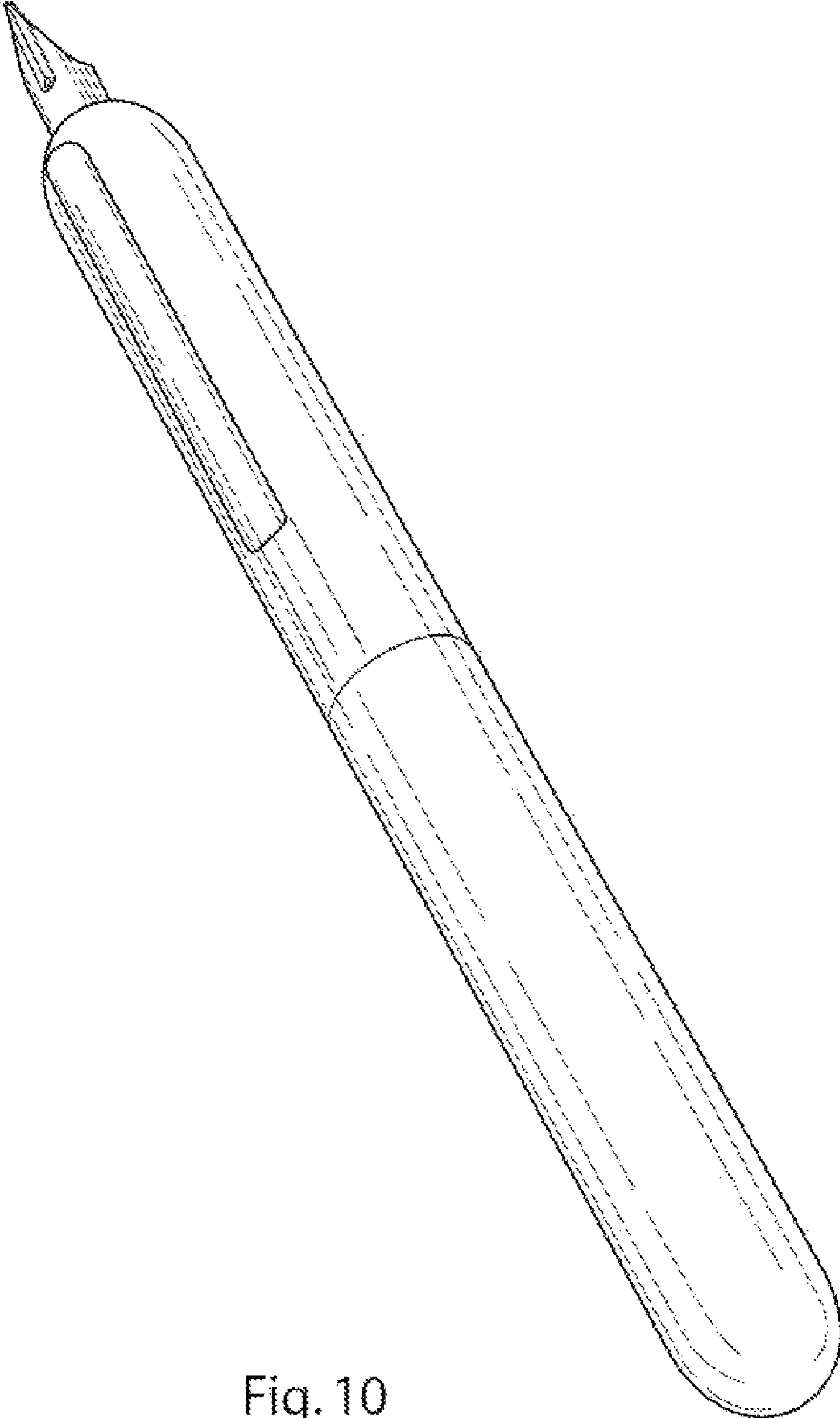


Fig. 10

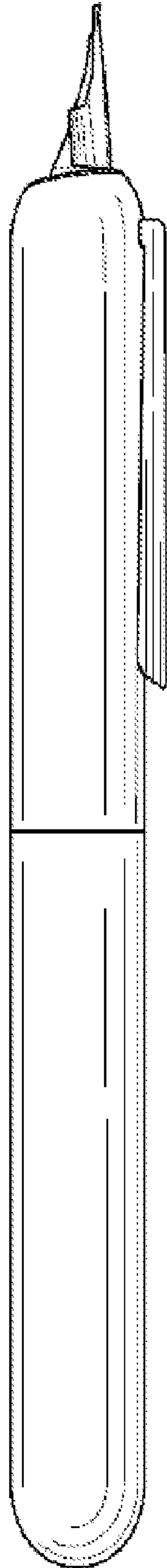


Fig. 11

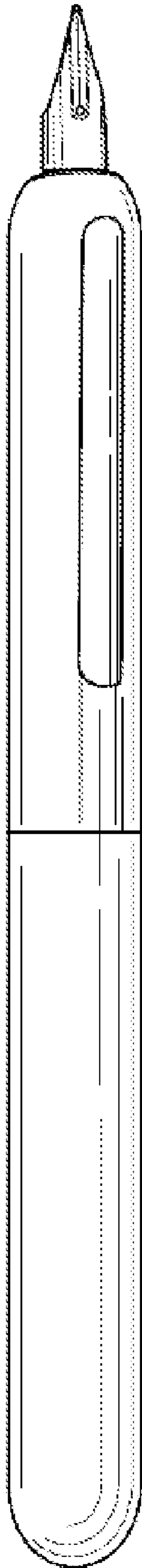


Fig. 12

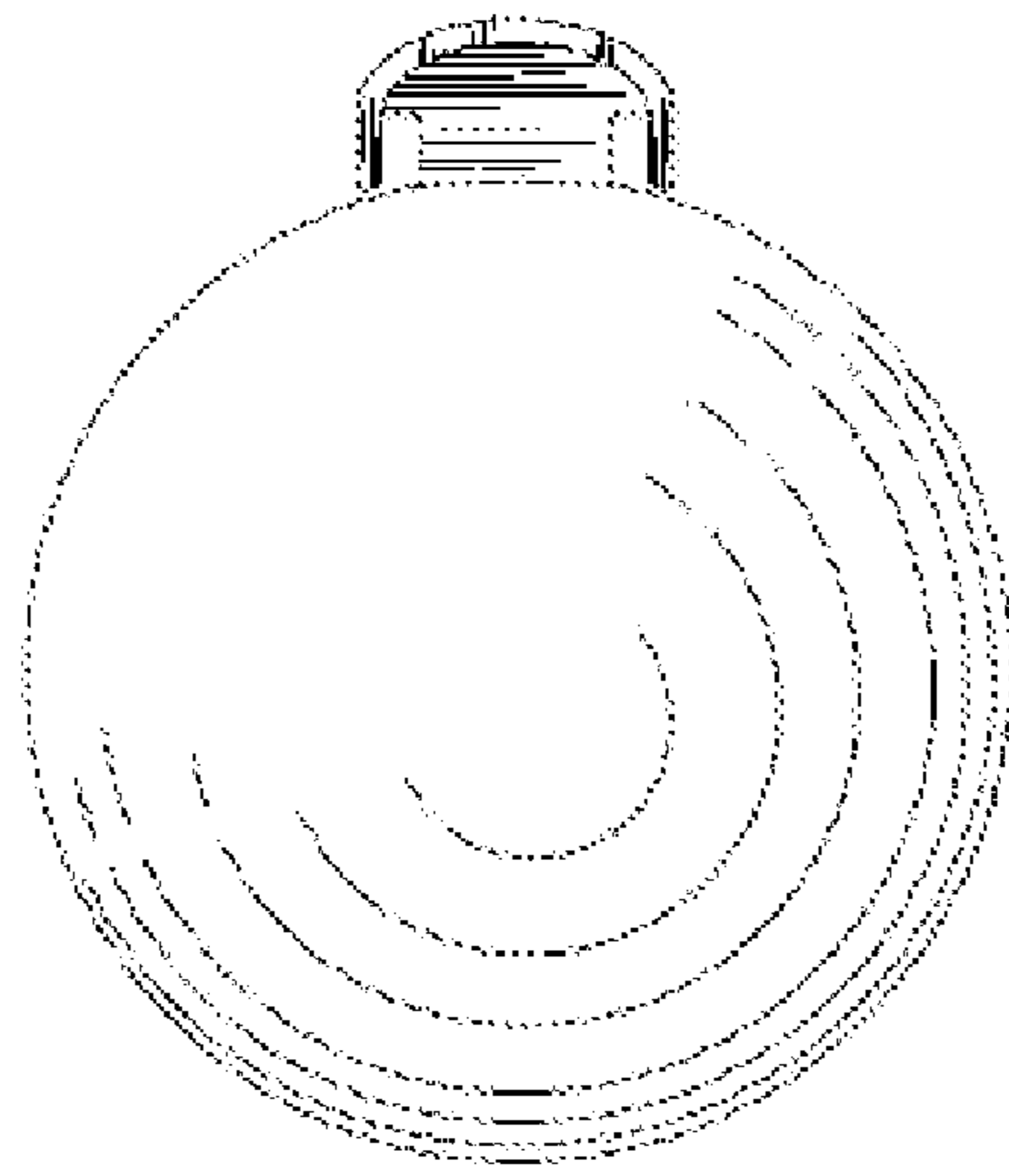


Fig. 13