



US00D633559S

(12) **United States Design Patent**
Le et al.

(10) **Patent No.:** **US D633,559 S**
(45) **Date of Patent:** **** Mar. 1, 2011**

(54) **BINDER**

(75) Inventors: **L. Sean Le**, Yorba Linda, CA (US);
Scott L. Brickin, Santa Monica, CA
(US); **Michael Novak**, Granby, MA
(US); **Jack B. Harrison, Jr.**, Little Rock,
MS (US)

(73) Assignee: **Avery Dennison Corporation**,
Pasadena, CA (US)

(**) Term: **14 Years**

(21) Appl. No.: **29/353,582**

(22) Filed: **Jan. 11, 2010**

(51) **LOC (9) Cl.** **19-04**

(52) **U.S. Cl.** **D19/27**

(58) **Field of Classification Search** D19/26,
D19/27, 28, 32, 33, 75, 86; 402/4, 70, 73,
402/76; 281/15.1, 19.1, 29, 31
See application file for complete search history.

(56) **References Cited**

U.S. PATENT DOCUMENTS

3,680,969 A 8/1972 Gorman

(Continued)

FOREIGN PATENT DOCUMENTS

GB 332119 7/1930

(Continued)

OTHER PUBLICATIONS

Leitz Active Plus Lever Arch Binder; http://www.ukofficedirect.co.uk/prd_305646.aspx.

Primary Examiner—T. Chase Nelson
Assistant Examiner—Kathleen M Sims

(57) **CLAIM**

We claim the ornamental design for a binder, as shown and described.

DESCRIPTION

FIG. 1 is a top perspective view of a binder embodying our new design with the binder in a closed configuration.

FIG. 2 is a top plan view of the binder of FIG. 1.

FIG. 3 is a bottom plan view of the binder of FIG. 1.

FIG. 4 is a front-edge elevational view of the binder of FIG. 1.

FIG. 5 is a back-edge elevational view of the binder of FIG. 1.

FIG. 6 is a left-side elevational view of the binder of FIG. 1.

FIG. 7 is a right-side elevational view of the binder of FIG. 1.

FIG. 8 is a perspective view of the binder of FIG. 1 in a partially open configuration showing an inside surface having a pocket in a closed configuration.

FIG. 9 is a top plan view of the binder of FIG. 8 in a fully open configuration.

FIG. 10 is a bottom plan view of the binder of FIG. 8 in a fully open configuration.

FIG. 11 is a front-edge elevational view of the binder of FIG. 8 in a fully open configuration.

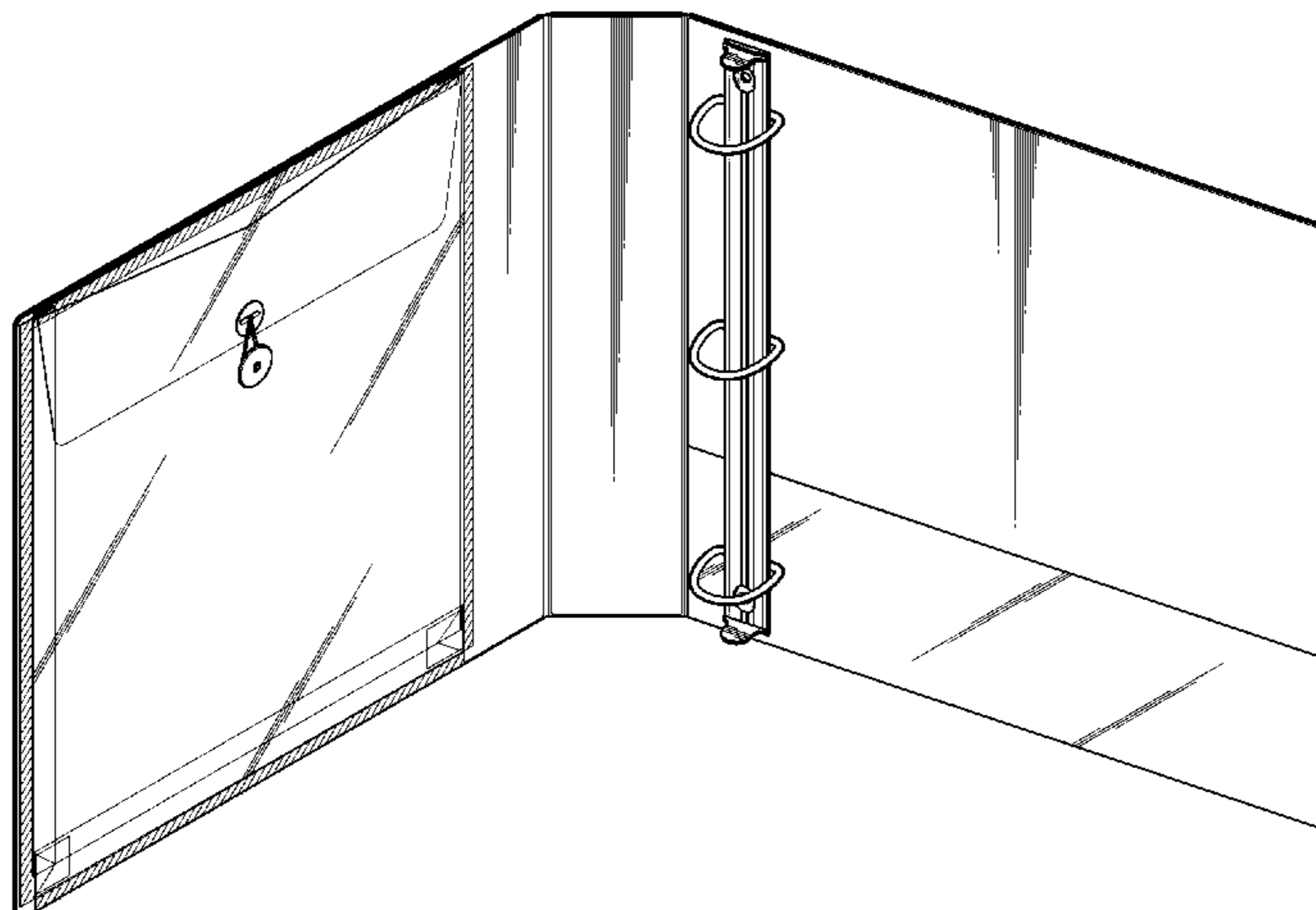
FIG. 12 is a back-edge elevational view of the binder of FIG. 8 in a fully open configuration.

FIG. 13 is a left-side elevational view of the binder of FIG. 8 in a fully open configuration.

FIG. 14 is a right-side elevational view of the binder of FIG. 8 in a fully open configuration; and,

FIG. 15 is a perspective view of the binder of FIG. 1 in a partially open configuration showing an inside surface having a pocket in an open and expanded configuration.

1 Claim, 11 Drawing Sheets



US D633,559 S

Page 2

U.S. PATENT DOCUMENTS

3,936,202 A * 2/1976 Brajituli 402/24
4,296,945 A 10/1981 Pavlik
4,519,629 A 5/1985 Podosek
4,629,349 A * 12/1986 Pitts 402/74
D299,932 S * 2/1989 Beleckis D19/26
4,824,273 A * 4/1989 Silva et al. 402/79
5,042,841 A 8/1991 Friedman
D319,660 S * 9/1991 Moor D19/27
5,275,438 A 1/1994 Struhl
5,660,514 A * 8/1997 Wilson 412/1
5,711,627 A 1/1998 Chapman
5,951,189 A * 9/1999 Winzen 402/3
5,951,190 A * 9/1999 Wilson 402/73
6,053,382 A 4/2000 Wyant
6,241,414 B1 * 6/2001 Wien 402/73
6,250,834 B1 6/2001 Wien
6,371,679 B1 * 4/2002 Peleman 402/73

6,764,242 B1 * 7/2004 Karten et al. 402/73
D496,396 S * 9/2004 Hyman D19/27
D512,100 S * 11/2005 Howes et al. D19/86
7,021,853 B2 * 4/2006 Hall et al. 402/73
7,210,936 B2 5/2007 Moeller et al.
7,387,461 B2 * 6/2008 Brandt et al. 402/73
7,399,136 B2 * 7/2008 Petrie et al. 402/73
2002/0041789 A1 4/2002 Conklin et al.
2003/0098578 A1 5/2003 Moor
2005/0207827 A1 9/2005 Busam et al.
2006/0039745 A1 2/2006 Menders

FOREIGN PATENT DOCUMENTS

GB 2233604 1/1991
GB 2322830 9/1998
GB 2349114 10/2000
WO 2005-087507 9/2005

* cited by examiner

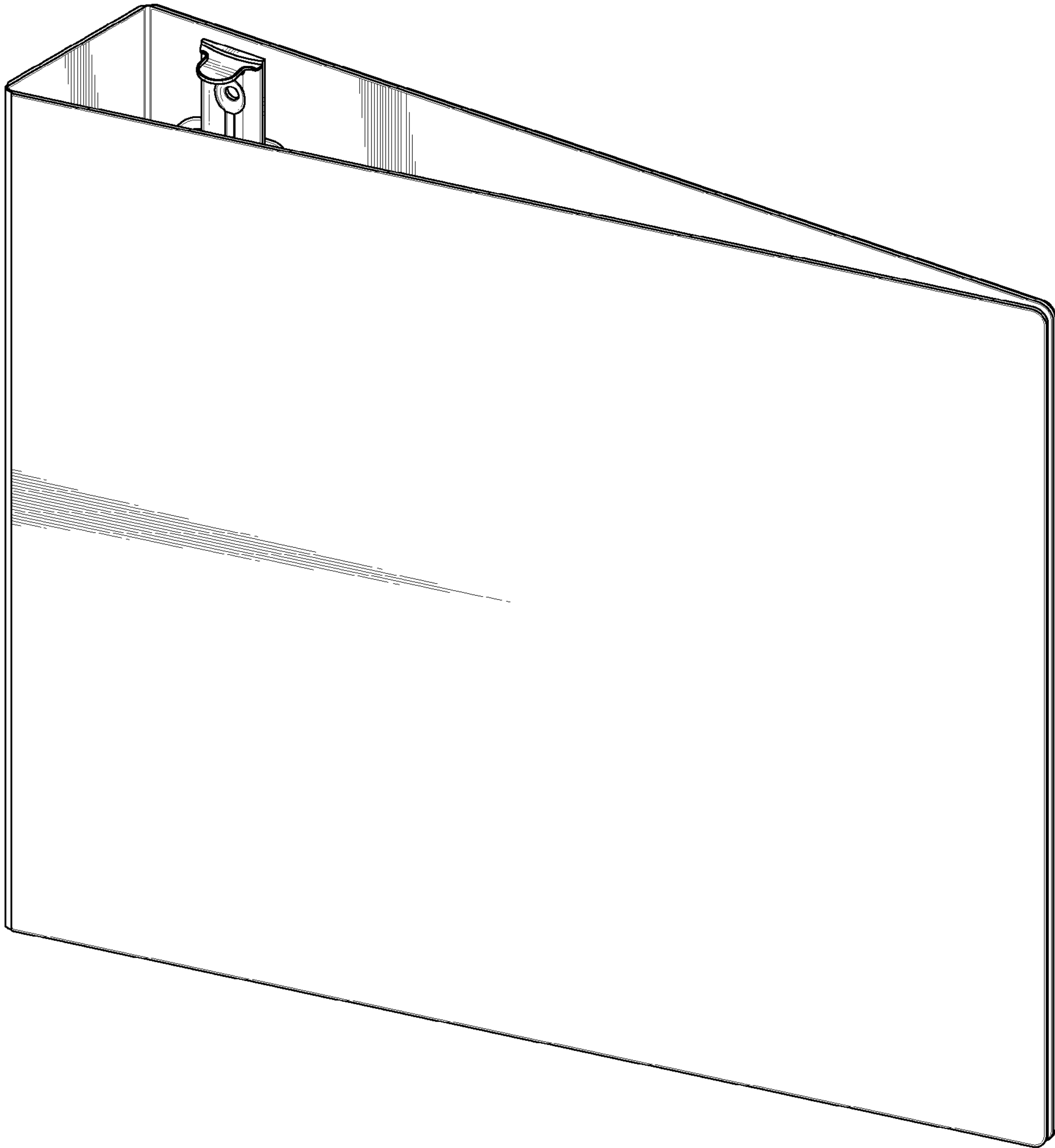


FIG. 1

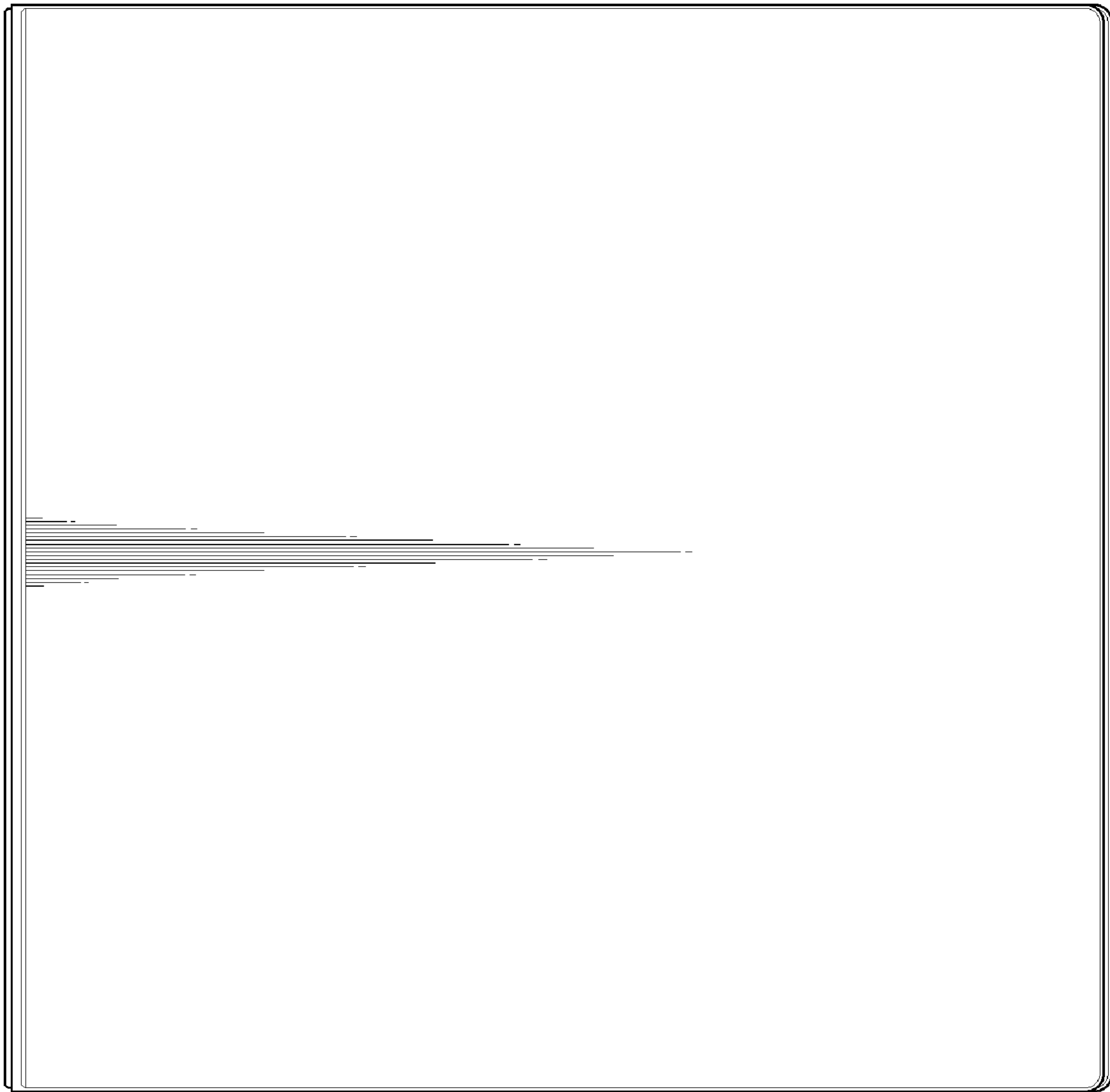


FIG. 2

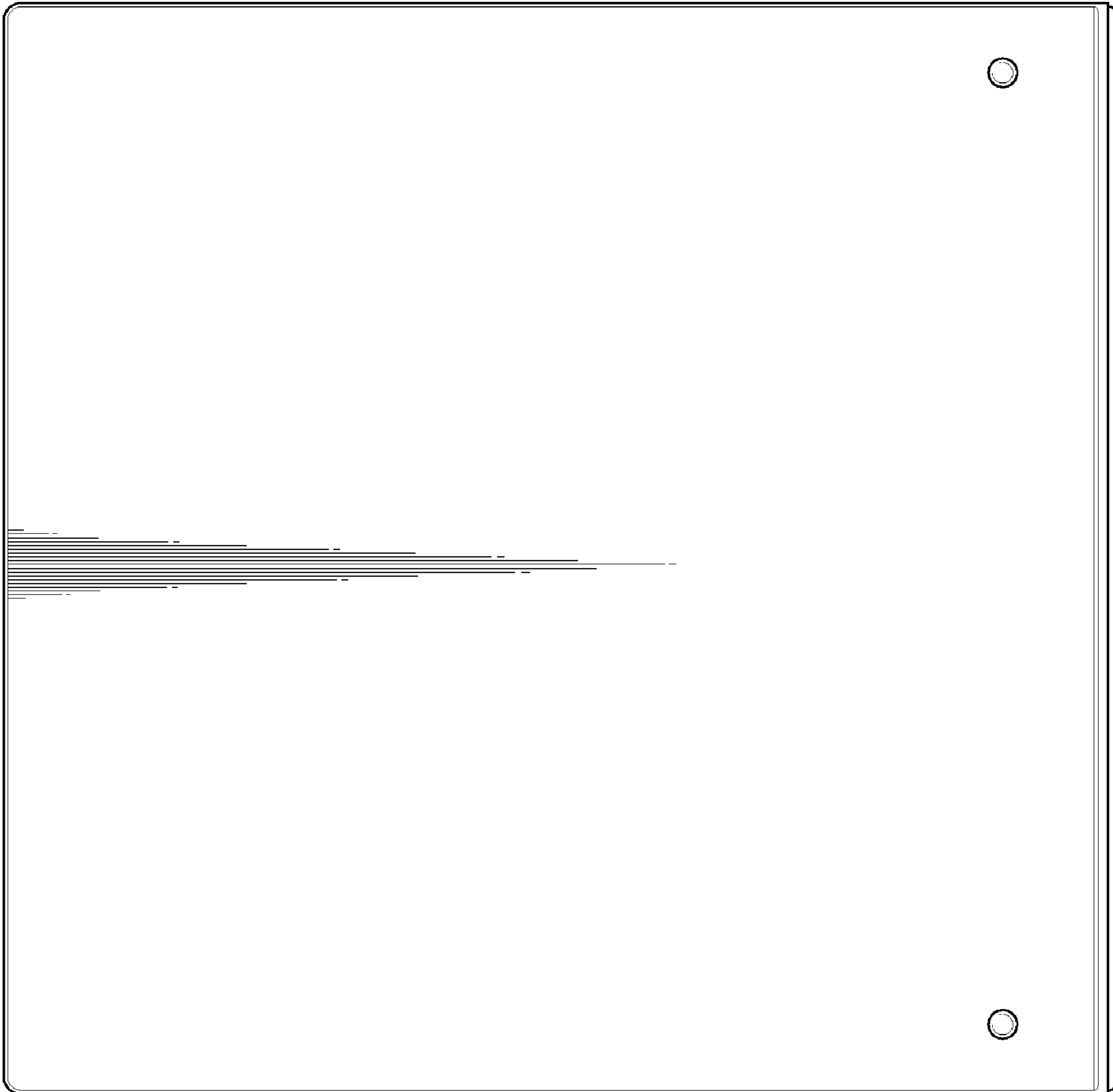


FIG. 3

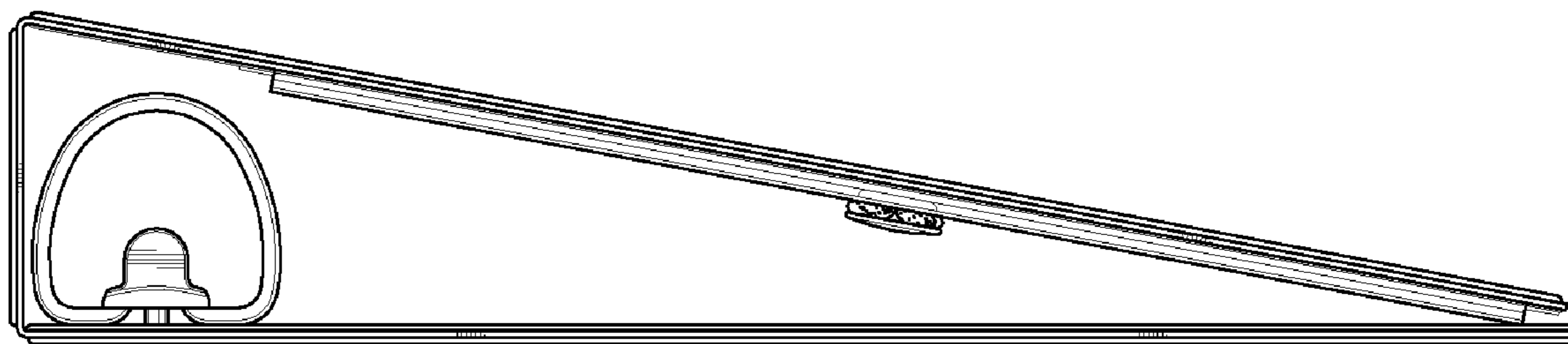


FIG. 4

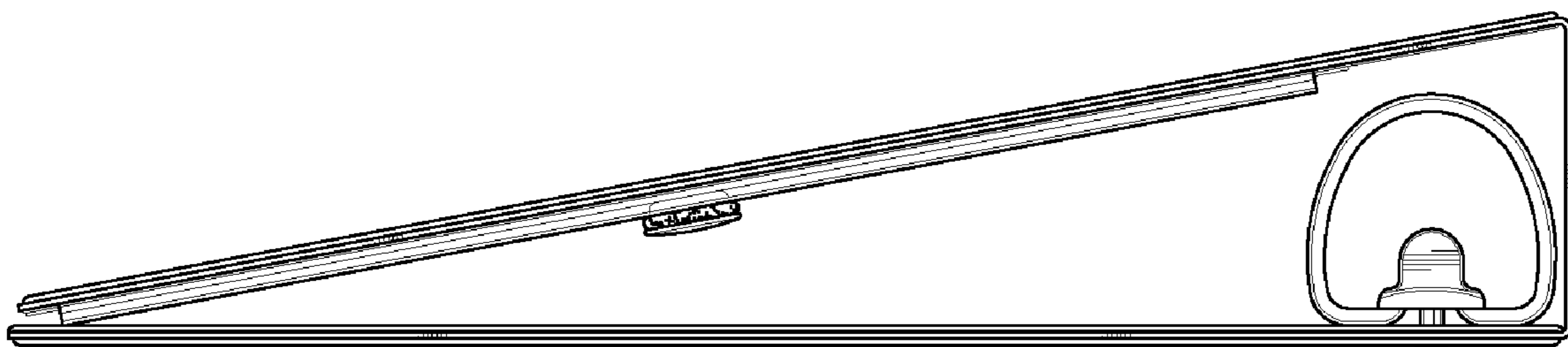


FIG. 5



FIG. 6

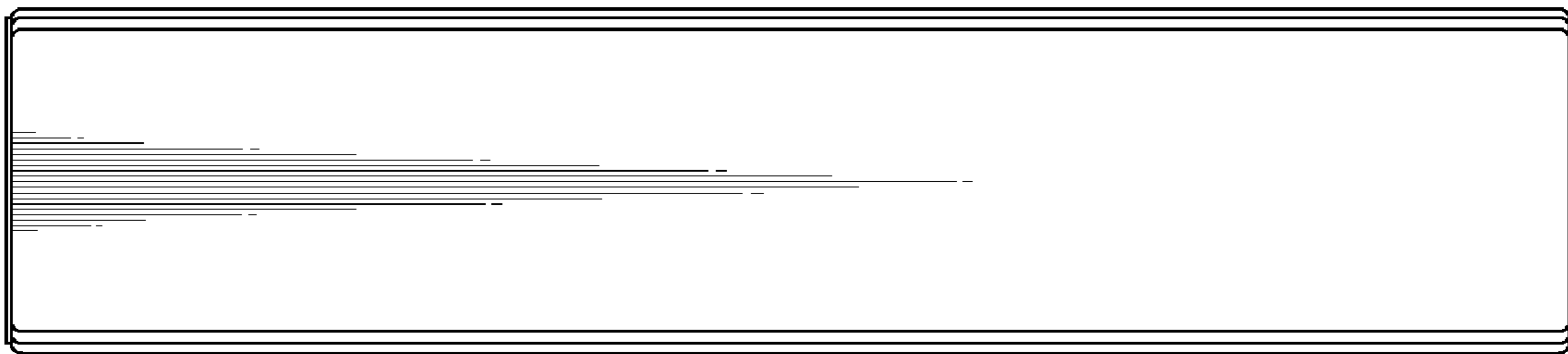


FIG. 7

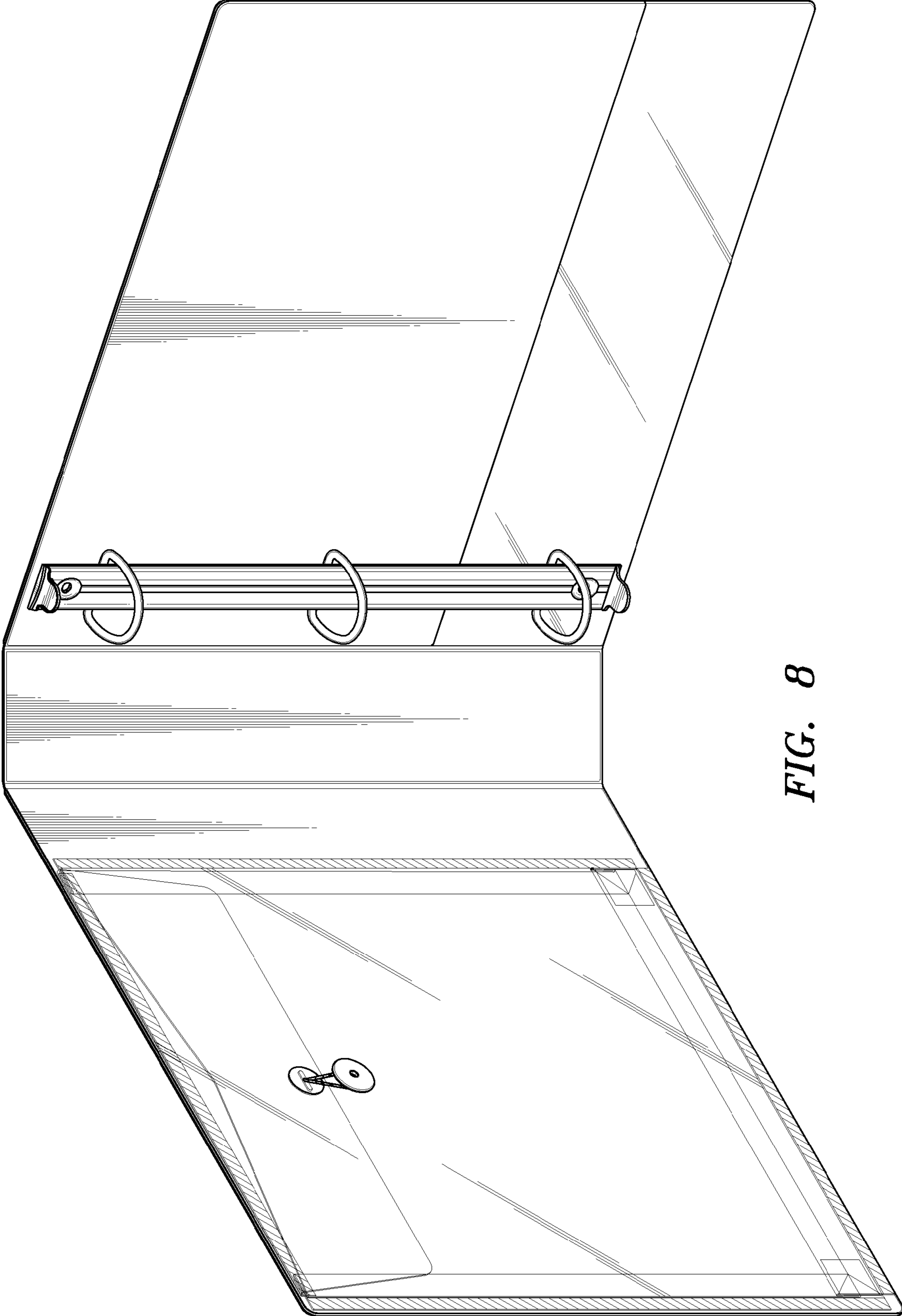


FIG. 8

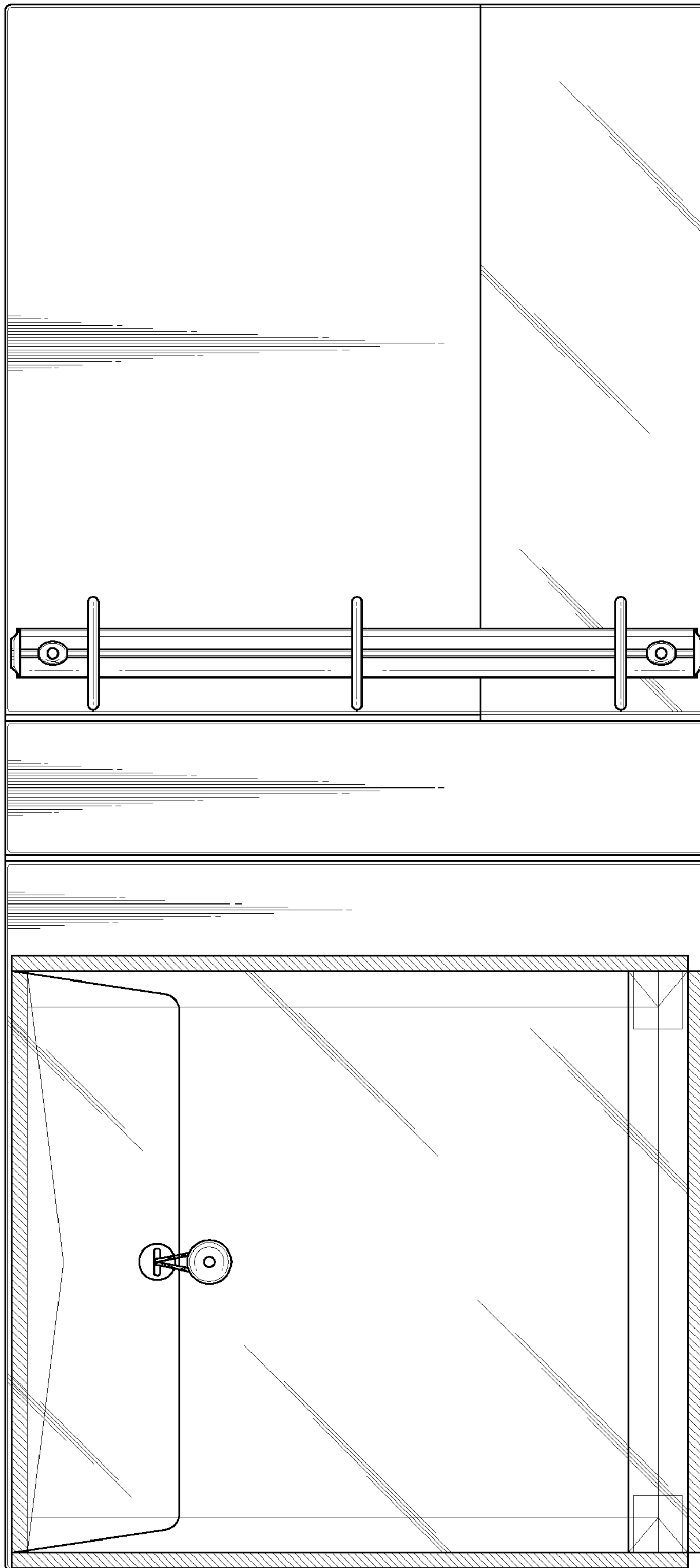


FIG. 9

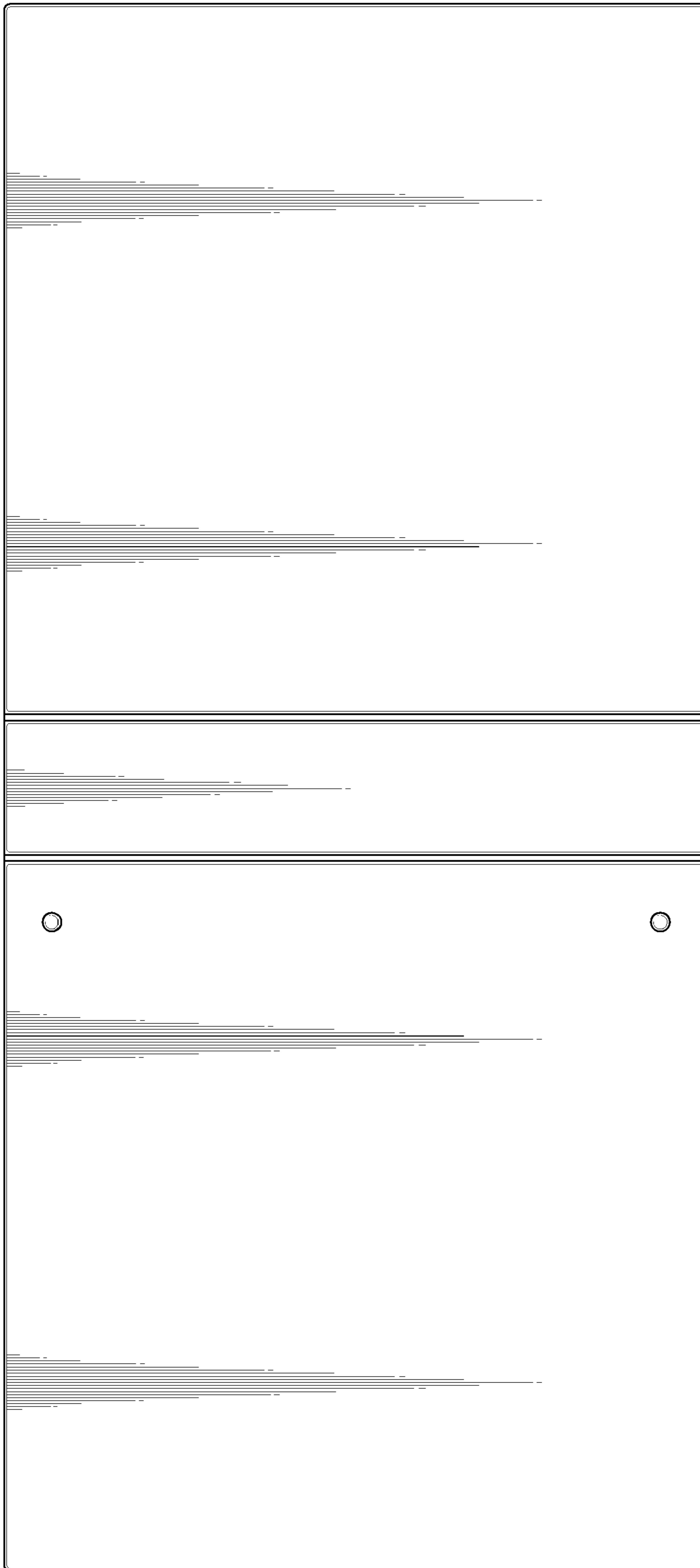


FIG. 10

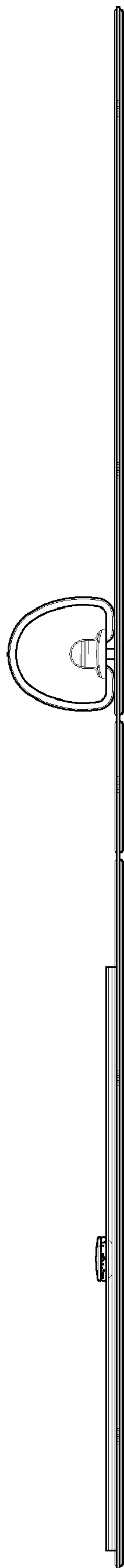


FIG. 11

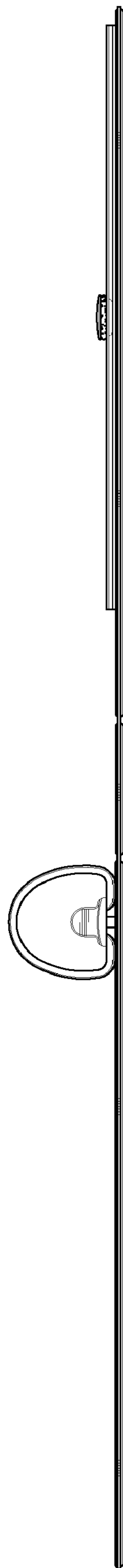


FIG. 12

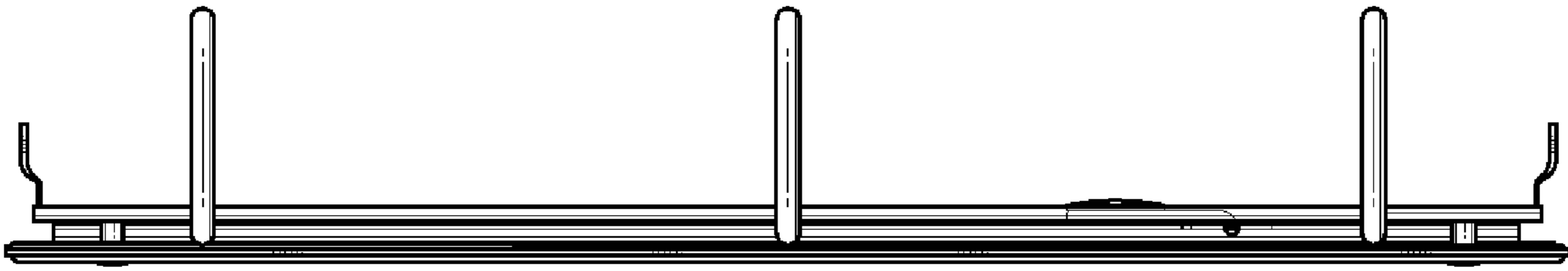


FIG. 13

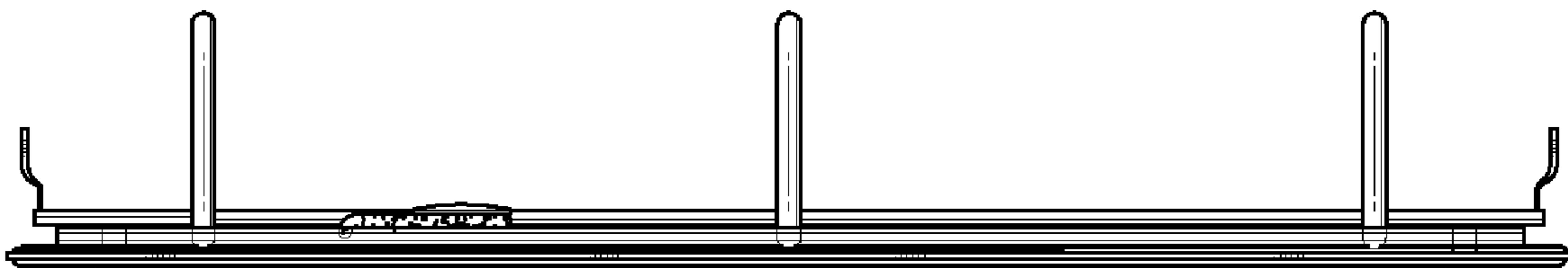


FIG. 14

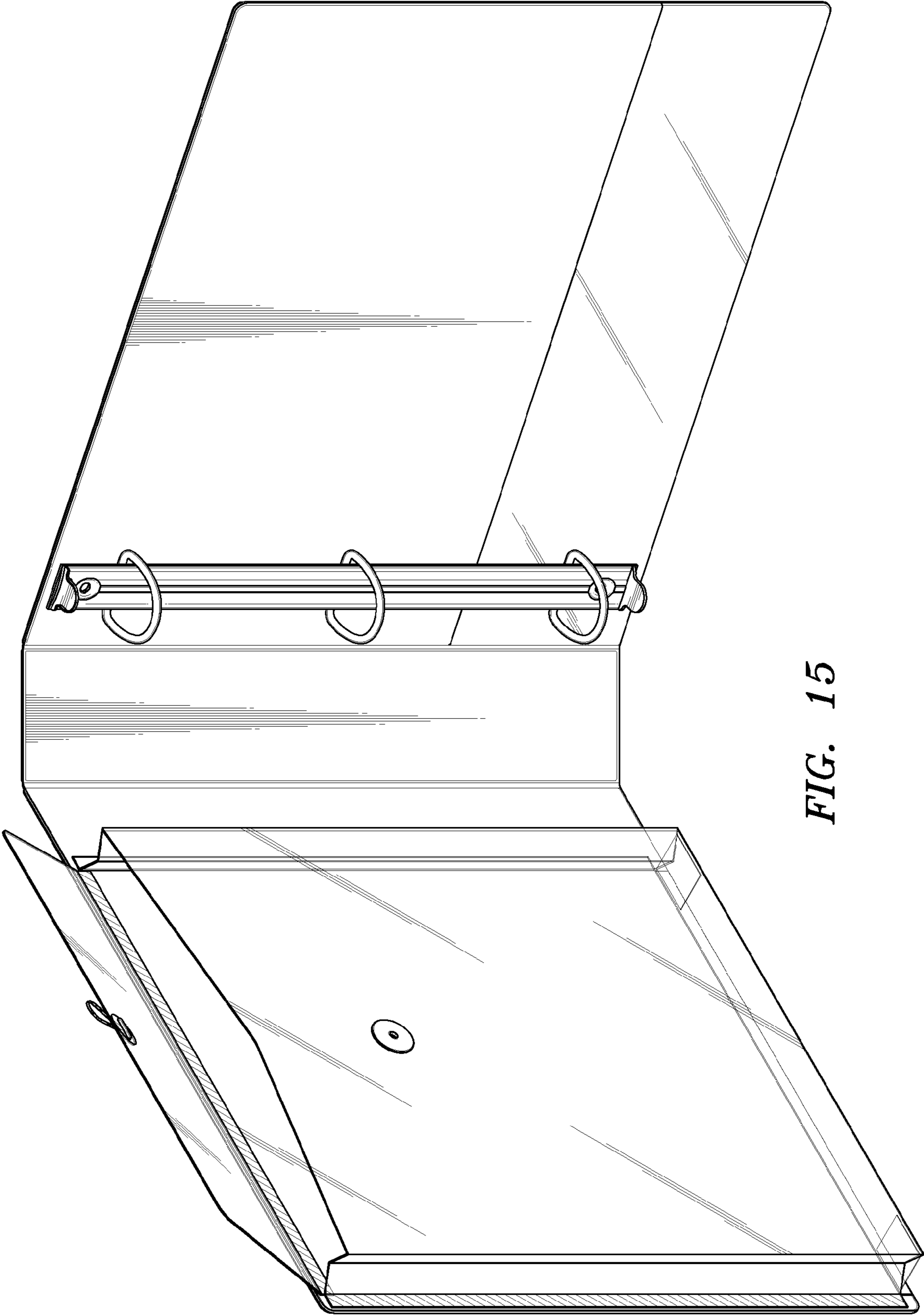


FIG. 15