



US00D633557S

(12) **United States Design Patent**
Egami et al.

(10) **Patent No.:** **US D633,557 S**
(45) **Date of Patent:** **** Mar. 1, 2011**

(54) **PRINTER**

2004/0131378 A1* 7/2004 Hattori et al. 399/90
2008/0014007 A1* 1/2008 Ukai 400/691

(75) Inventors: **Keiichiro Egami**, Nagoya (JP);
Yukihiko Sato, Nagoya (JP); **Kayo**
Hasui, Nagoya (JP)

FOREIGN PATENT DOCUMENTS

(73) Assignee: **Brother Industries, Ltd.**, Nagoya (JP)

| | | |
|----|----------------|---------|
| EM | 000940168-0001 | 6/2008 |
| JP | S-D1264495 | 3/2006 |
| JP | S-D1275610 | 7/2006 |
| JP | S-D1275611 | 7/2006 |
| JP | S-D1275861 | 7/2006 |
| JP | S-D1275862 | 7/2006 |
| JP | S-D1317321 | 12/2007 |

(**) Term: **14 Years**

* cited by examiner

(21) Appl. No.: **29/338,252**

(22) Filed: **Jun. 8, 2009**

Primary Examiner—Cathy Anne MacCormac
(74) *Attorney, Agent, or Firm*—Olliff & Berridge, PLC

(30) **Foreign Application Priority Data**

Dec. 24, 2008 (JP) 2008-032760

(57) **CLAIM**

(51) **LOC (9) Cl.** **14-02**

The ornamental design for a printer, as shown and described.

(52) **U.S. Cl.** **D18/55**

DESCRIPTION

(58) **Field of Classification Search** D18/36–39,
D18/50, 54, 54.1, 55; D14/315, 327, 420–425,
D14/463–470; 400/613, 613.1–613.4, 690,
400/690.1–690.4, 691–694

FIG. 1 is a perspective view of a printer;
FIG. 2 is a front view thereof;
FIG. 3 is a top view thereof;
FIG. 4 is a right-side view thereof;
FIG. 5 is a left-side view thereof;
FIG. 6 is a bottom view thereof;
FIG. 7 is a rear view thereof; and,
FIG. 8 is an enlarged cross-sectional view thereof taken along
the line 8—8 of FIG. 4 between the lines 8'—8' and the lines
8''—8'' of FIG. 2.

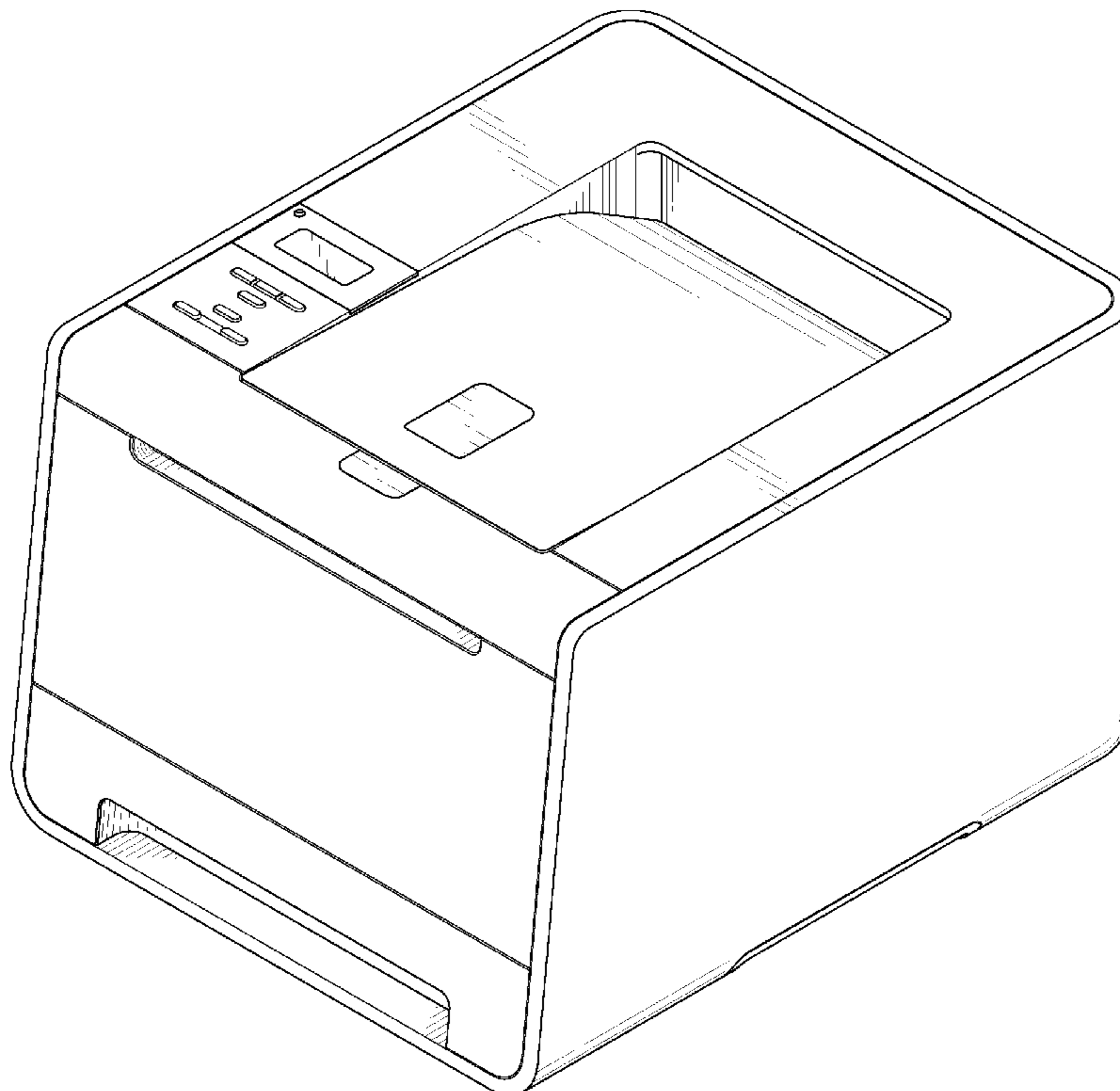
See application file for complete search history.

(56) **References Cited**

U.S. PATENT DOCUMENTS

| | | | | |
|--------------|---------|---------------|-------|--------|
| D535,325 S * | 1/2007 | Yamaguchi | | D18/55 |
| D552,170 S | 10/2007 | Kim et al. | | |
| D562,886 S * | 2/2008 | Egami et al. | | D18/55 |
| D585,934 S | 2/2009 | Tomono et al. | | |
| D586,383 S | 2/2009 | Takatani | | |
| D617,829 S * | 6/2010 | Suzuki et al. | | D18/55 |

1 Claim, 7 Drawing Sheets



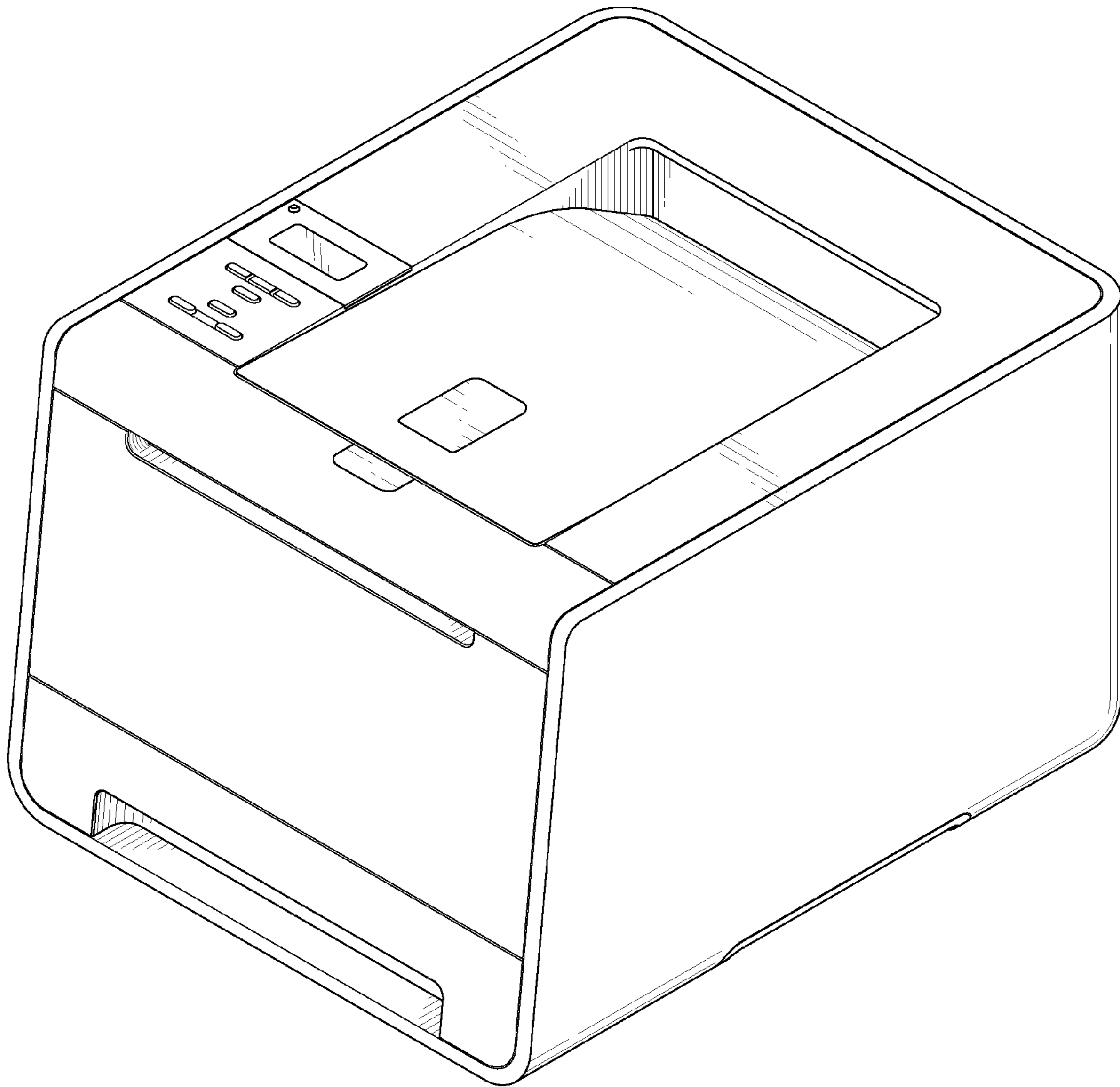


FIG. 1

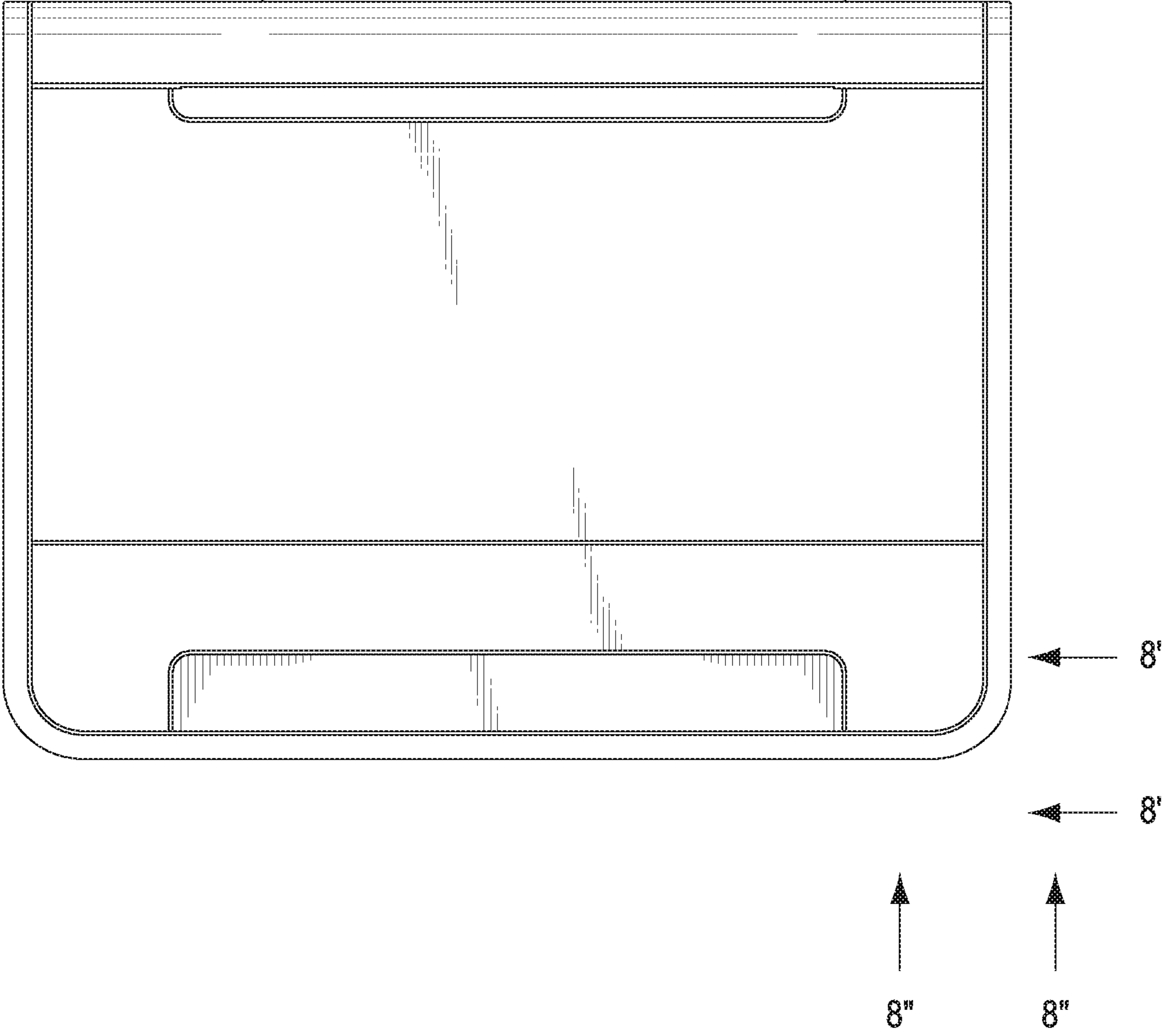


FIG. 2

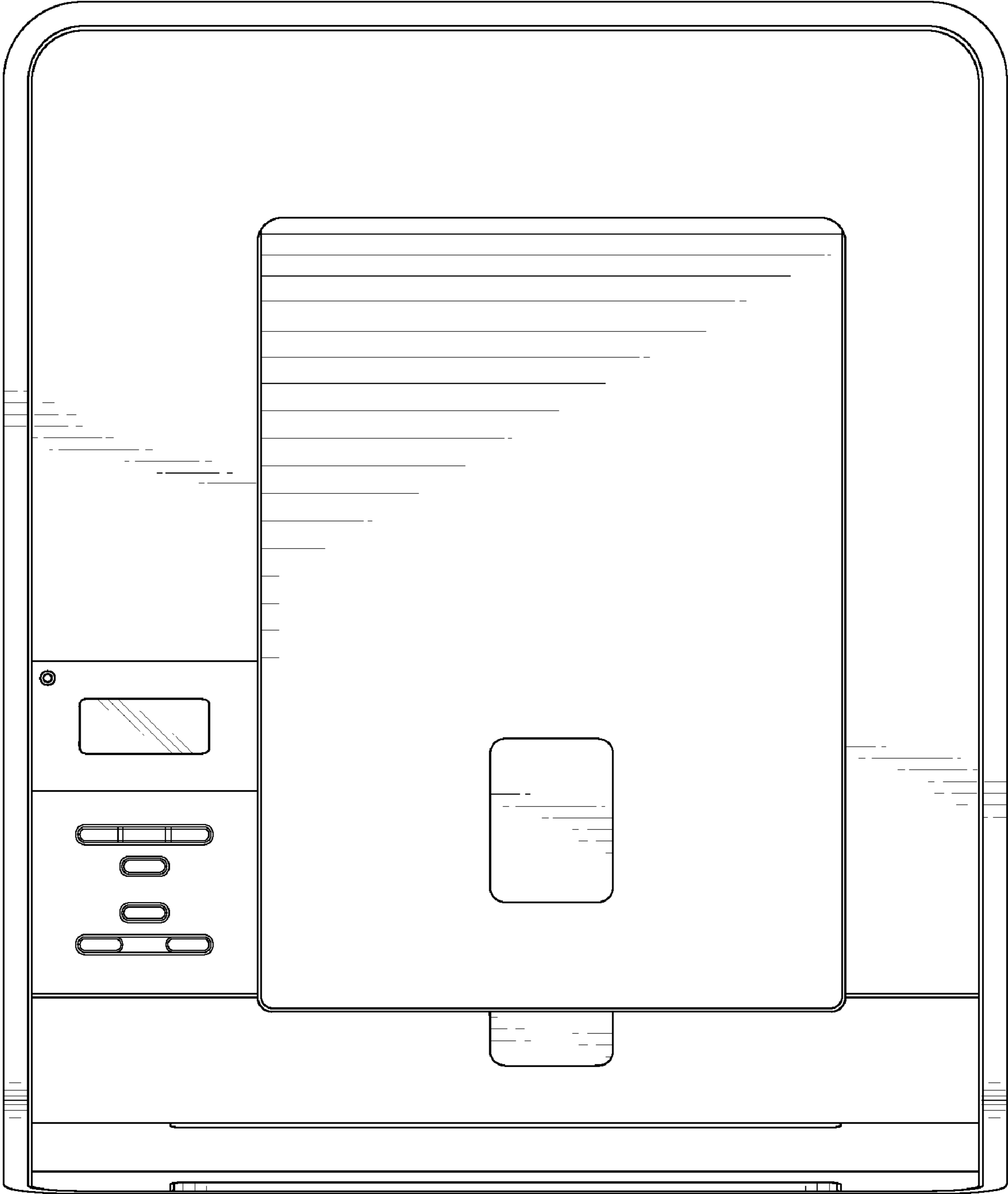


FIG. 3

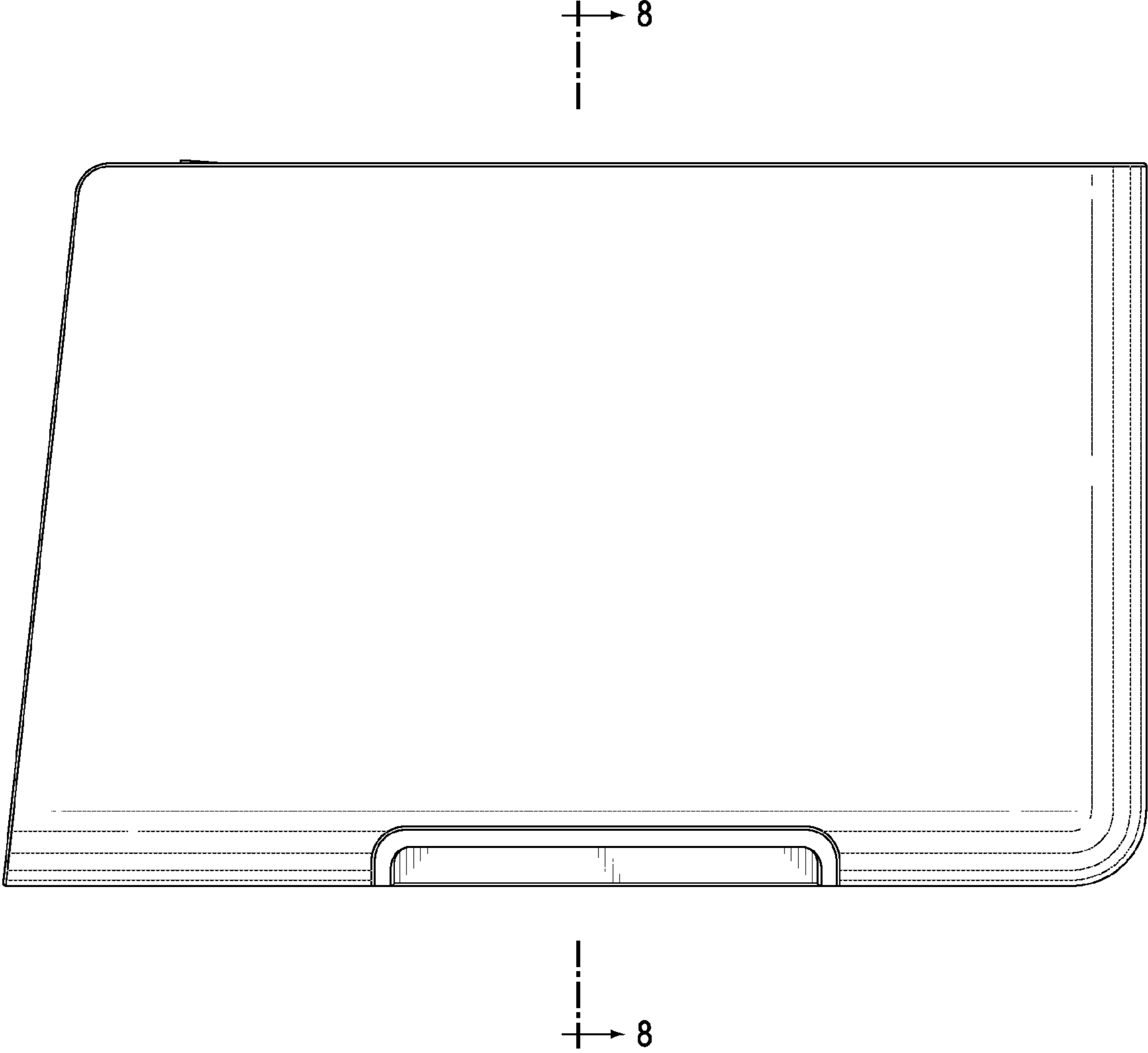


FIG. 4

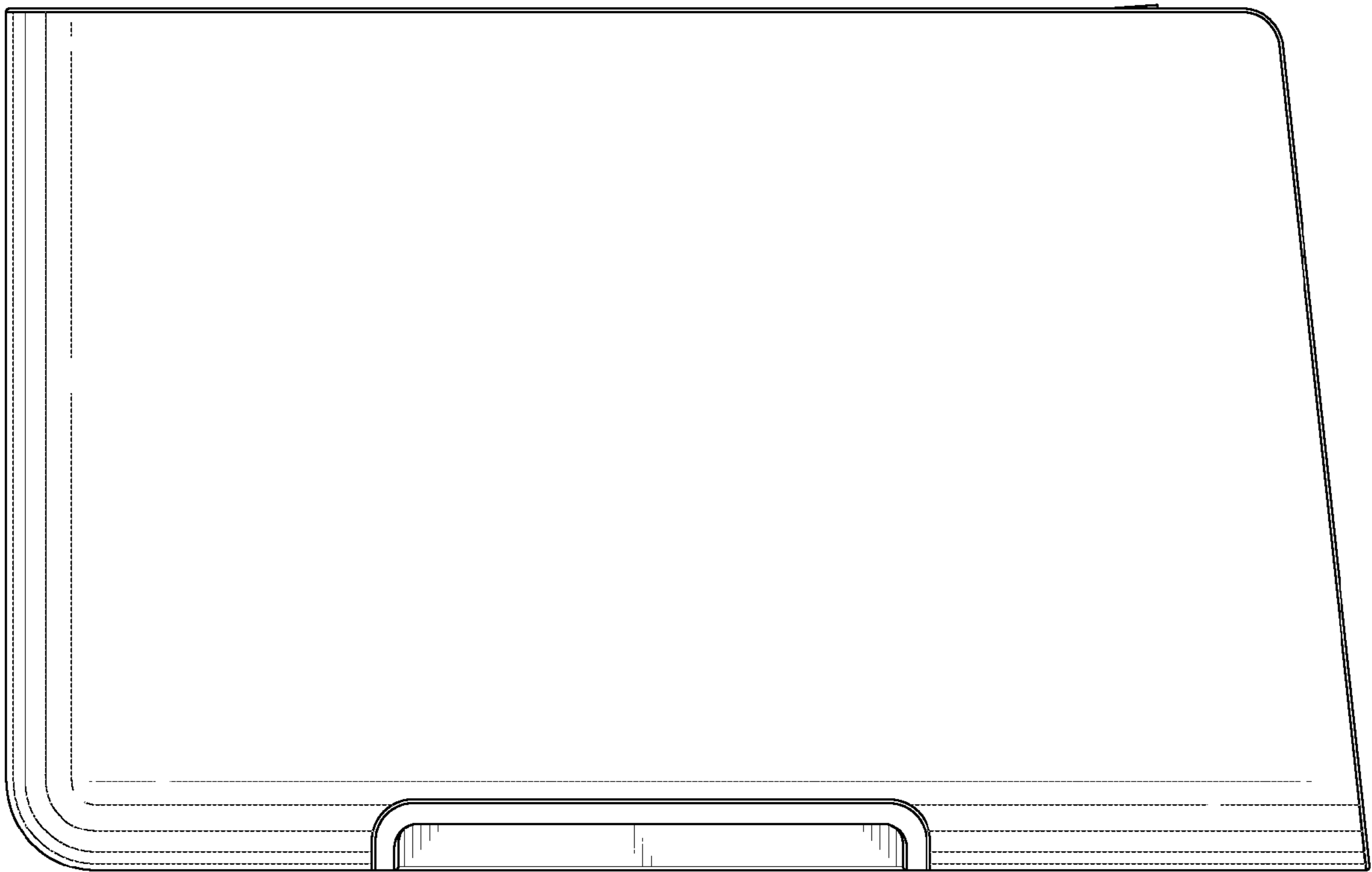


FIG. 5

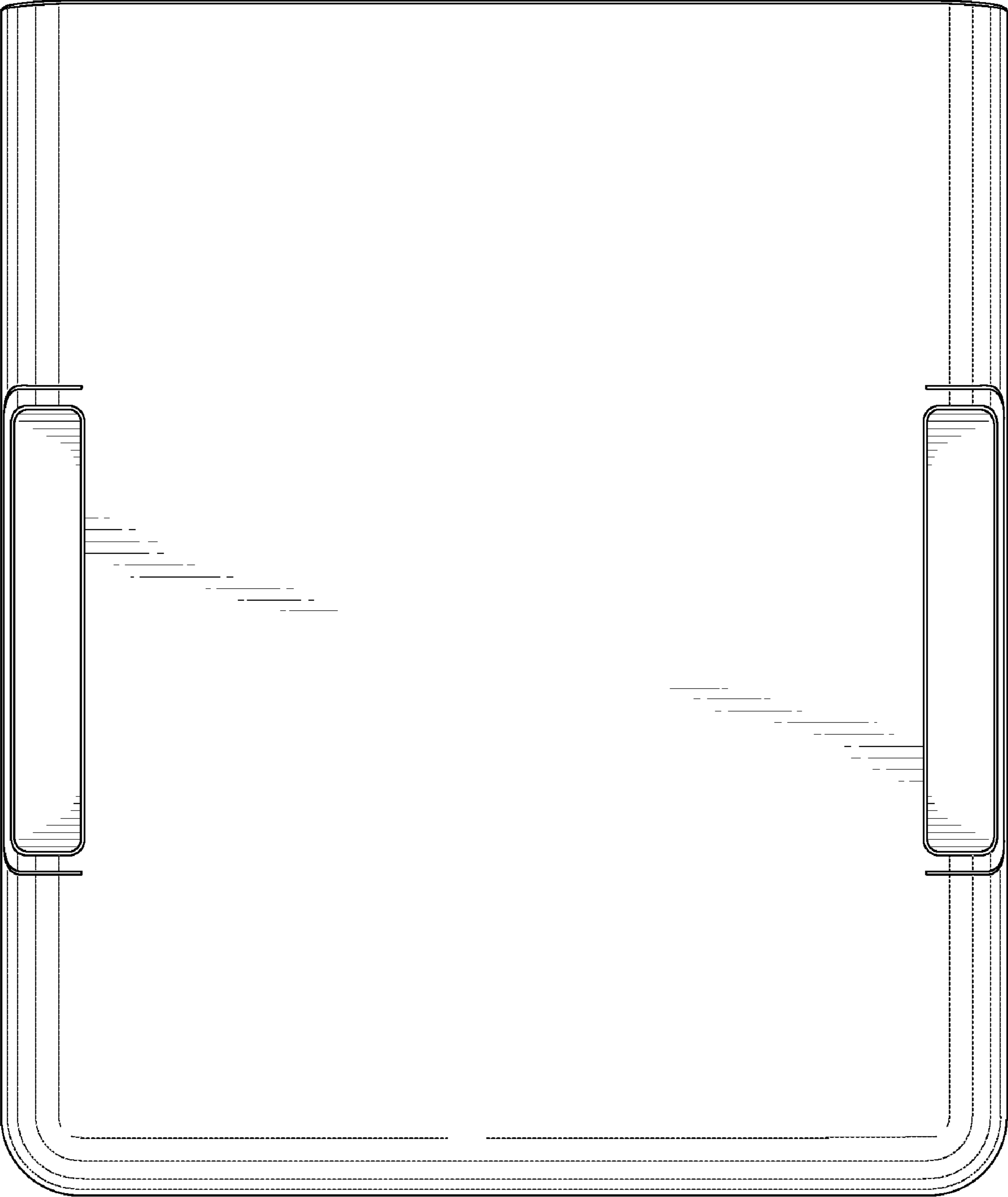


FIG. 6



FIG. 7

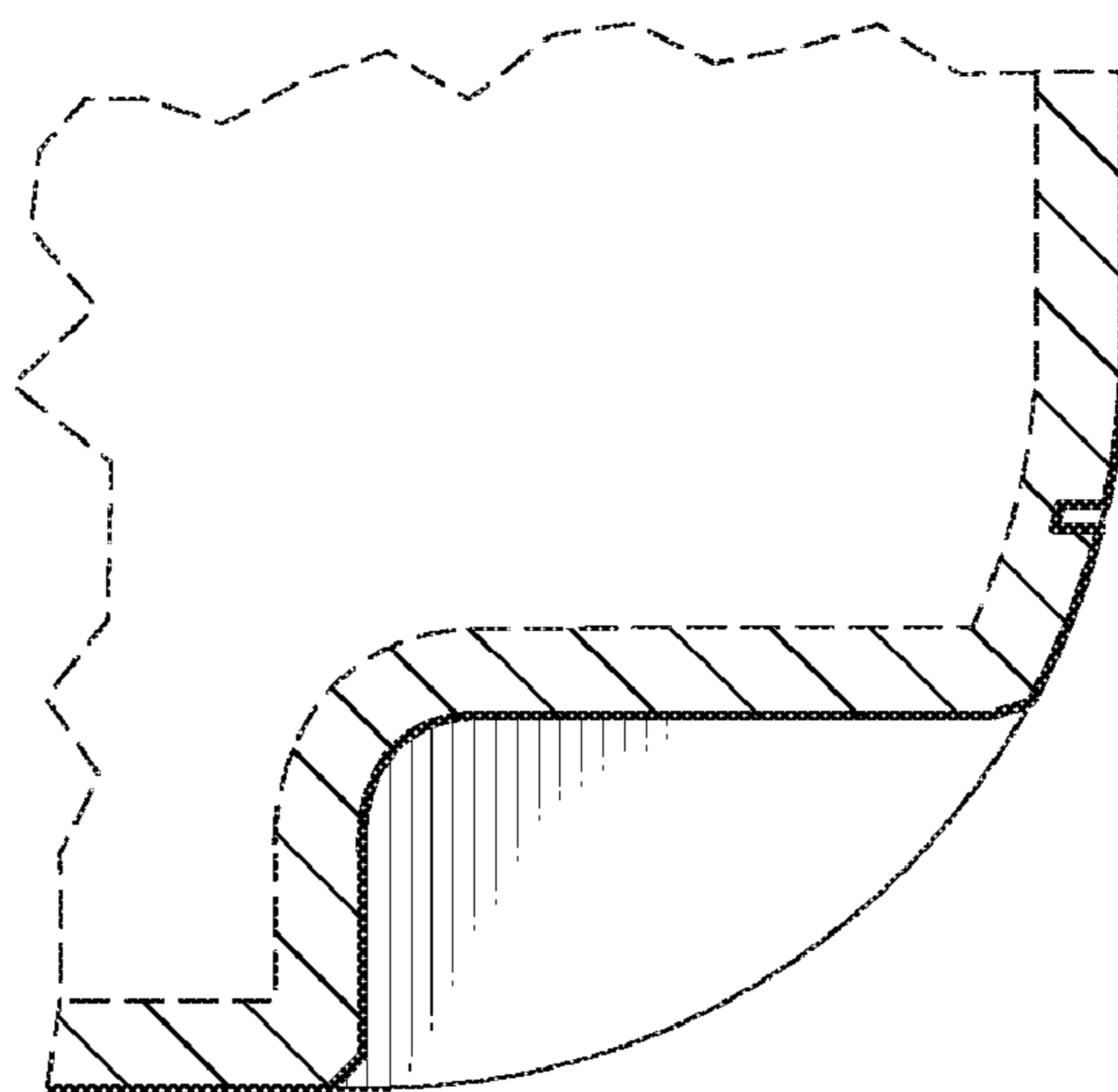


FIG. 8