



US00D633556S

(12) **United States Design Patent**
Park et al.

(10) **Patent No.:** **US D633,556 S**

(45) **Date of Patent:** **** Mar. 1, 2011**

- (54) **LASER COMPLEX**
- (75) Inventors: **Ji-Sang Park**, Kyunggi-do (KR);
Chung-Ha Kim, Seoul (KR)
- (73) Assignee: **Samsung Electronics Co., Ltd.**, Suwon,
Kyunggi-do (KR)
- (**) Term: **14 Years**
- (21) Appl. No.: **29/316,030**
- (22) Filed: **Aug. 17, 2009**

- D562,378 S 2/2008 Kim et al.
- D573,178 S 7/2008 Lee et al.
- D573,179 S 7/2008 Bae et al.
- D579,973 S * 11/2008 Park et al. D18/55
- D580,483 S 11/2008 Park et al.
- D581,976 S 12/2008 Park et al.
- D584,344 S 1/2009 Lee et al.
- D584,347 S 1/2009 Hong et al.
- D584,348 S 1/2009 Boo et al.
- D586,384 S * 2/2009 Yamaguchi et al. D18/55
- D586,385 S * 2/2009 Kim et al. D18/55
- D593,149 S 5/2009 Park et al.
- D596,227 S * 7/2009 Larson et al. D18/55

- (51) **LOC (9) Cl.** **14-02**
 - (52) **U.S. Cl.** **D18/55**
 - (58) **Field of Classification Search** D18/36-39,
D18/50, 54, 54.1, 55; D14/315, 327, 420-425,
D14/463-470; 400/613, 613.1-613.4, 690,
400/690.1-690.4, 691-694
- See application file for complete search history.

(Continued)

OTHER PUBLICATIONS

U.S. Appl. No. 29/294,097, Applicant: Hee-Yul Kim, et al., filed Dec. 21, 2007 entitled Laser Printer.

(Continued)

Primary Examiner—Cathy Anne MacCormac
(74) *Attorney, Agent, or Firm*—Flynn, Thiel, Boutell & Tanis,
P.C.

(56) **References Cited**
U.S. PATENT DOCUMENTS

- D326,867 S 6/1992 Kwak
- D359,506 S 6/1995 Lee
- D378,218 S 2/1997 Hong et al.
- D527,045 S 8/2006 Lim et al.
- D528,155 S * 9/2006 Katayama D18/55
- D530,737 S 10/2006 Lim et al.
- D532,043 S 11/2006 Park et al.
- D534,578 S * 1/2007 Katayama et al. D18/55
- D536,372 S 2/2007 Lim et al.
- D545,357 S * 6/2007 Hattori et al. D18/55
- D551,700 S 9/2007 Park et al.
- D552,170 S 10/2007 Kim et al.
- D555,195 S 11/2007 Park et al.
- D555,722 S 11/2007 Bae et al.
- D556,253 S 11/2007 Hong et al.
- D556,822 S 12/2007 Hong et al.
- D558,261 S 12/2007 Hong et al.
- D558,262 S 12/2007 Hong et al.
- D558,820 S 1/2008 Hong et al.
- D561,248 S 2/2008 Lee et al.
- D561,824 S 2/2008 Park et al.

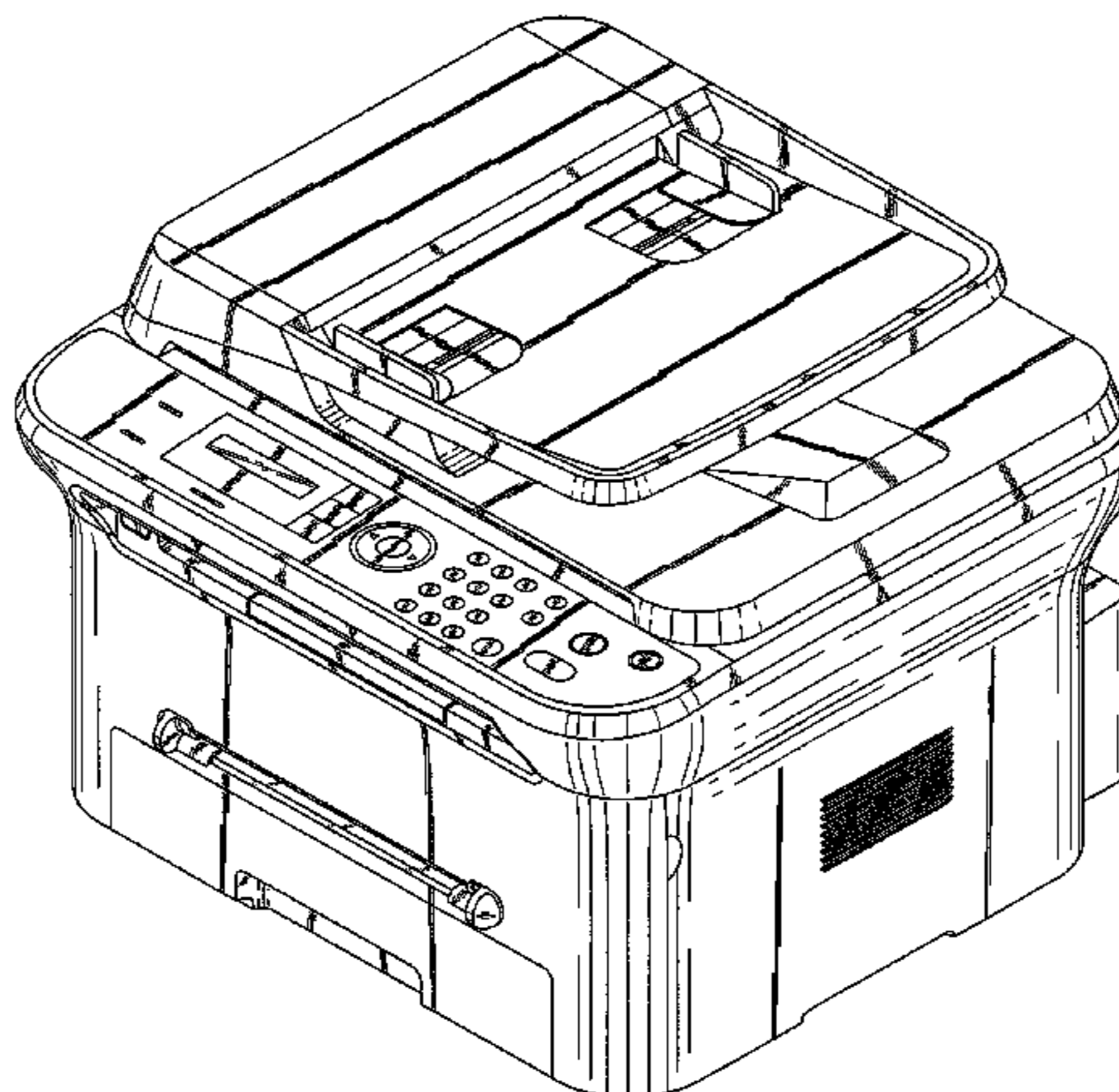
(57) **CLAIM**

The ornamental design for a laser complex, as shown and described.

DESCRIPTION

FIG. 1 is a top front perspective view of a laser complex showing our new design;
FIG. 2 is a front elevational view thereof;
FIG. 3 is a rear elevational view thereof;
FIG. 4 is a left side elevational view thereof;
FIG. 5 is a right side elevational view thereof;
FIG. 6 is a top plan view thereof; and,
FIG. 7 is a bottom plan view thereof.

1 Claim, 7 Drawing Sheets



U.S. PATENT DOCUMENTS

D616,927 S * 6/2010 Suzuki et al. D18/55

OTHER PUBLICATIONS

U.S. Appl. No. 29/294,093, Applicant: Hee-Yul Kim, et al, filed Dec. 21, 2007 entitled Laser Printer.
U.S. Appl. No. 29/307,999, Applicant: Son-Young Lee, et al., filed May 22, 2008 entitled Laser Printer.
U.S. Appl. No. 29/308,001, Applicant: Kyong-Hwan Kim, et al., filed May 22, 2008 entitled Color Laser Printer.
U.S. Appl. No. 29/308,018, Applicant: Kyong-Hwan Kim, et al., filed May 22, 2008 entitled Laser Printer.
U.S. Appl. No. 29/308,000, Applicant: Kyong-Hwan Kim, et al., filed May 22, 2008 entitled Laser Printer.
U.S. Appl. No. 29/310,435, Applicant: Jasper Morrison, et al., filed Aug. 15, 2008 entitled Color Laser Printer.

U.S. Appl. No. 29/313,583, Applicant: Jong-Kyu Kim, et al., filed Jan. 23, 2009 entitled Copy Machine Attached by Function of Scanner and Printer.
U.S. Appl. No. 29/313,861, Applicant: Hee-Yul Kim, filed Feb. 17, 2009 entitled Copy Machine Attached by Function of Scanner and Printer.
U.S. Appl. No. 29/314,206, Applicant: Ji-Sang Park, et al., filed Mar. 13, 2009 entitled Laser Printer.
U.S. Appl. No. 29/314,647, Applicant: Ji-Sang Park, et al., filed Apr. 15, 2009 entitled Laser Complex.
U.S. Appl. No. 29/314,642, Applicant: Ji-Sang Park, et al., filed Apr. 15, 2009 entitled Laser Printer.
U.S. Appl. No. 29/315,577, Applicant: Hoon-Tae Kim, et al., filed Jul. 7, 2009 entitled Printer.
U.S. Appl. No. 29/316,032, Applicant: Ji-Sang Park, et al., filed Aug. 17, 2009 entitled Laser Complex.

* cited by examiner

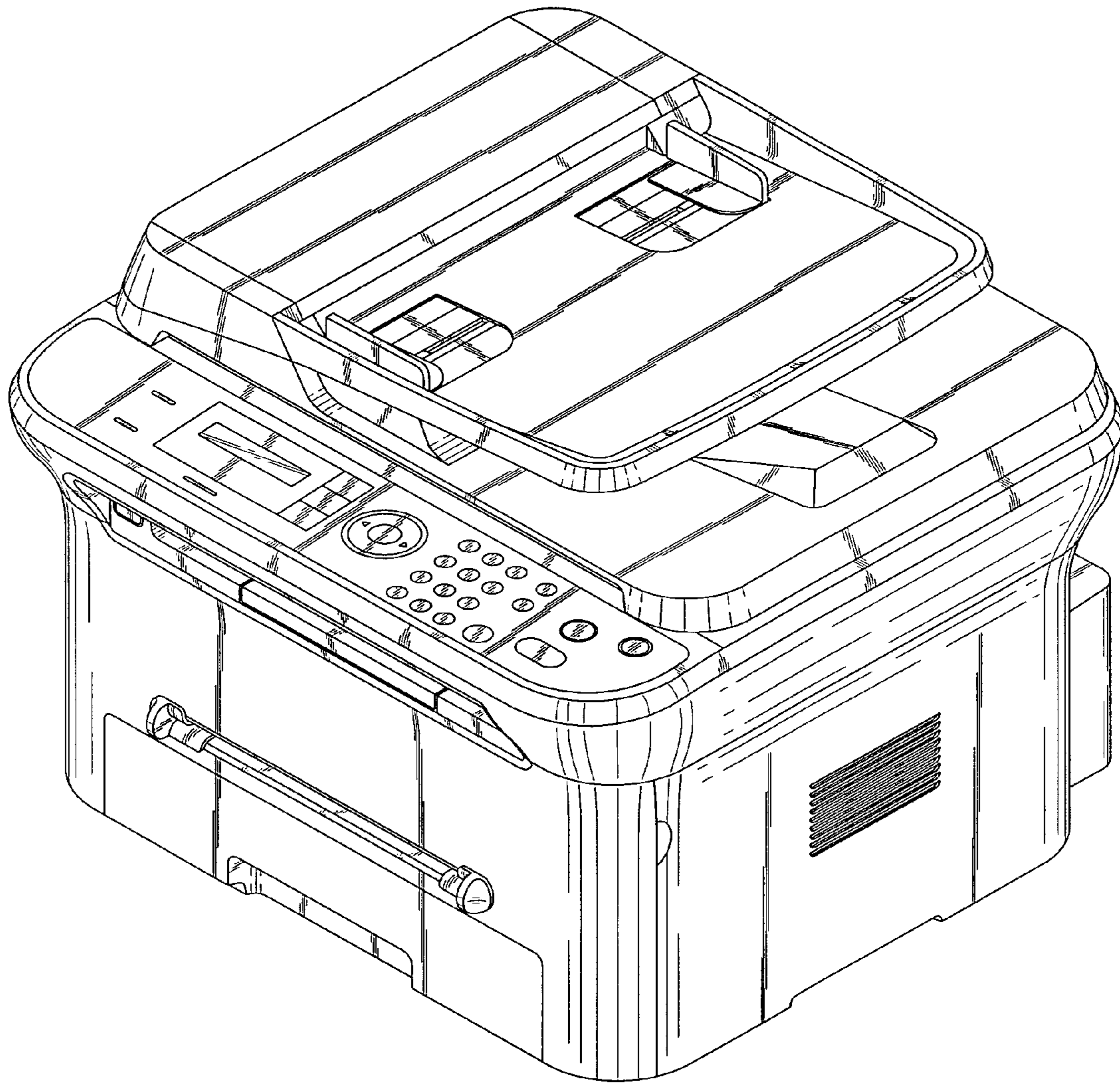


FIG. 1

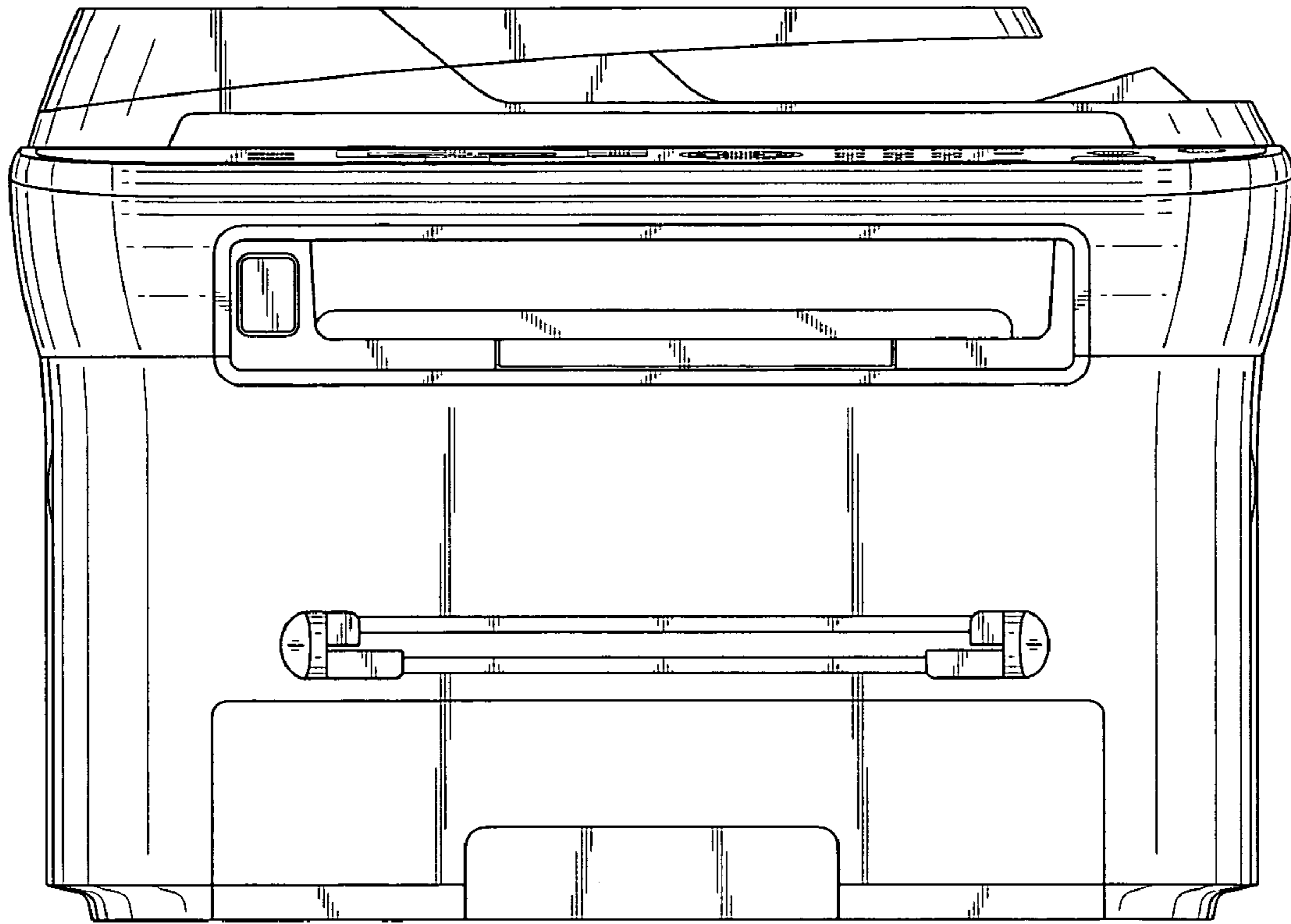


FIG. 2

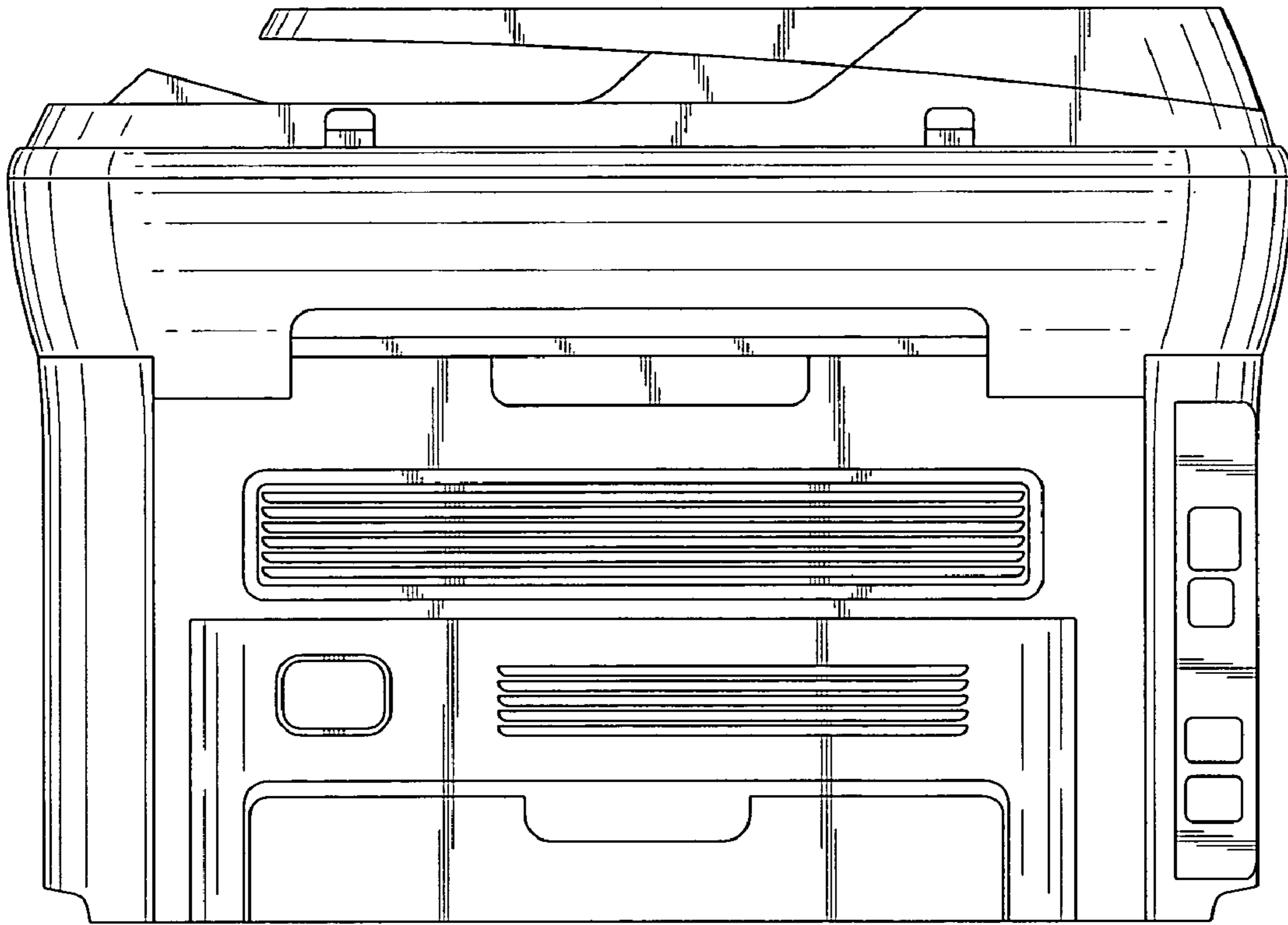


FIG. 3

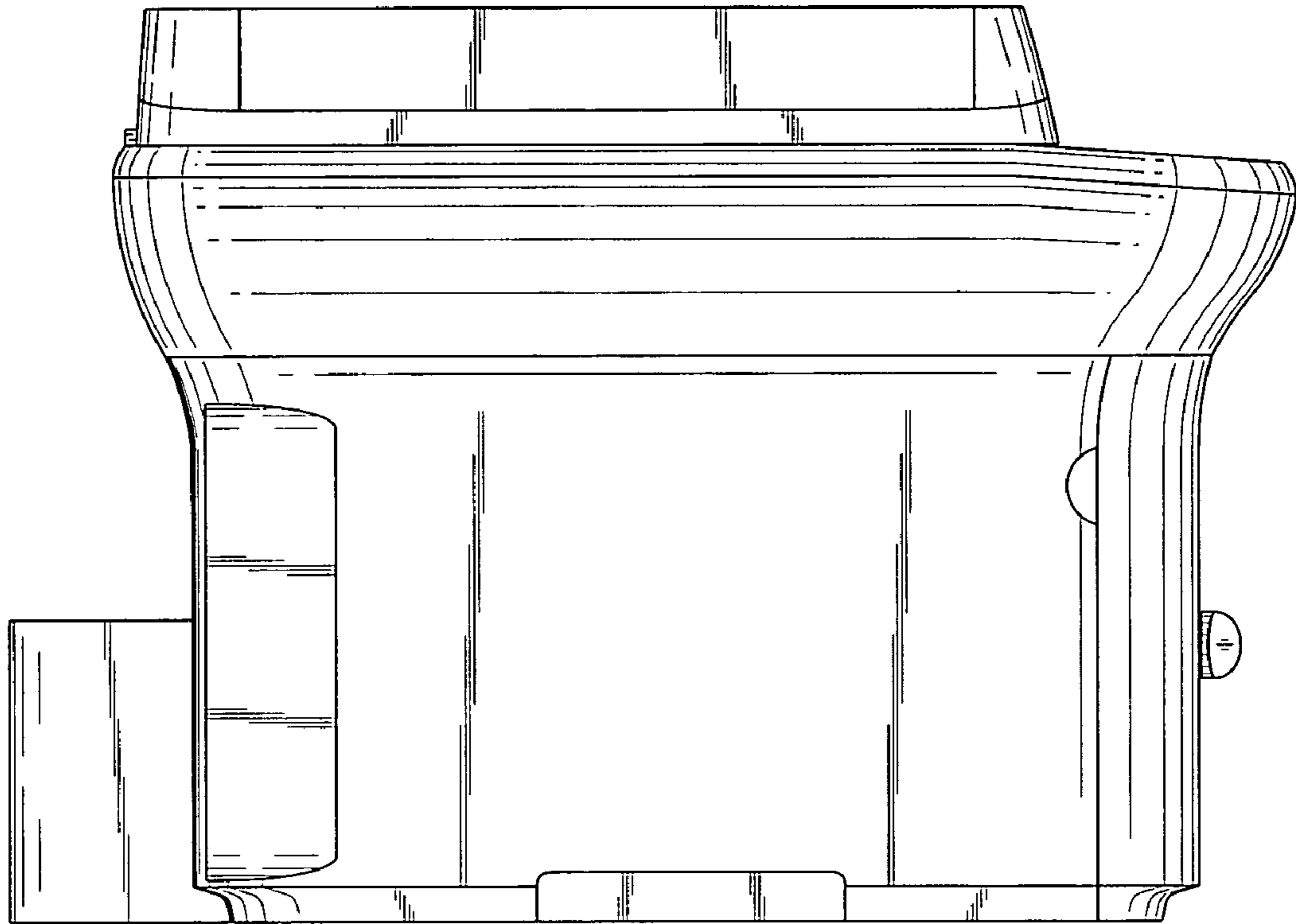


FIG. 4

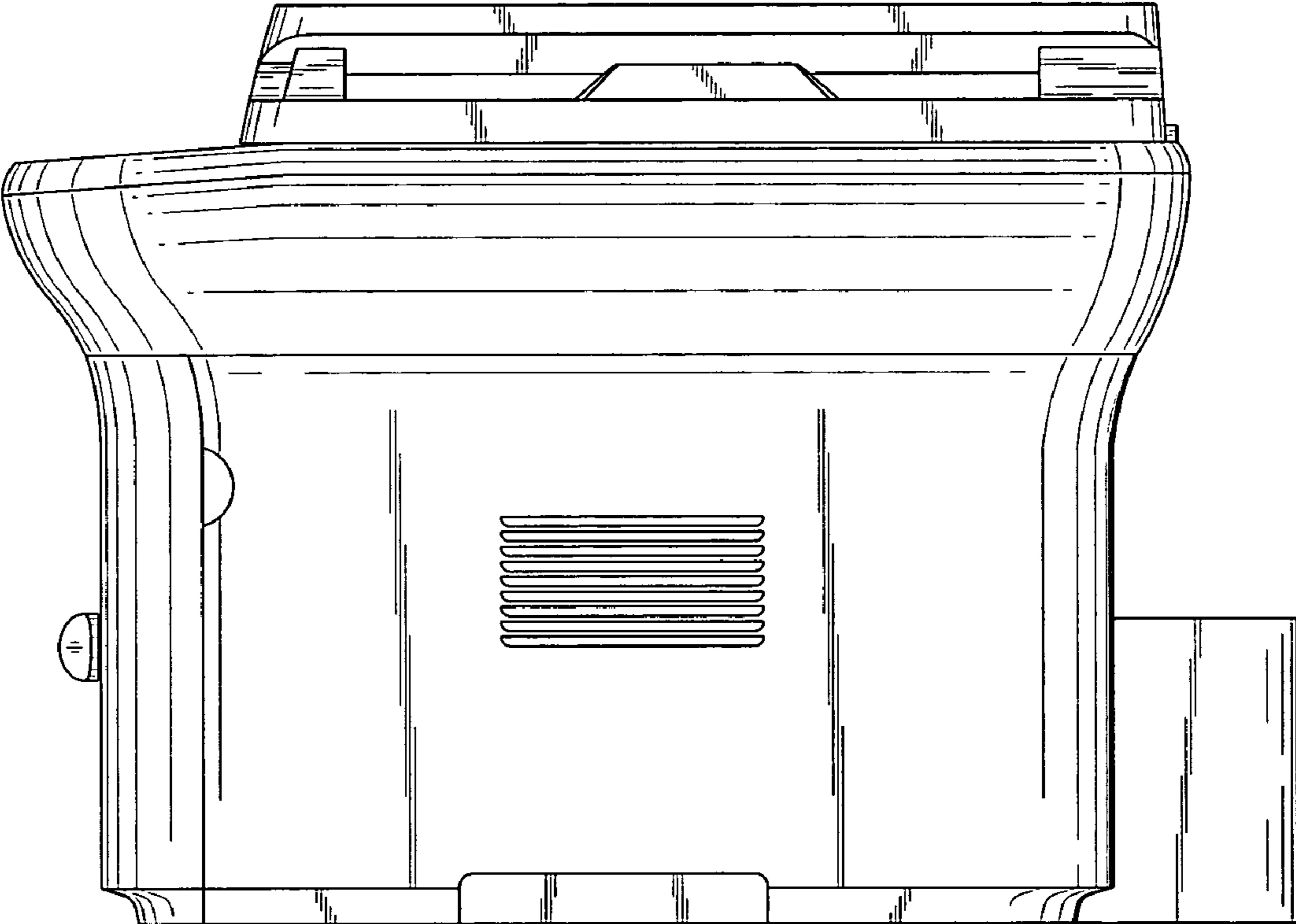


FIG. 5

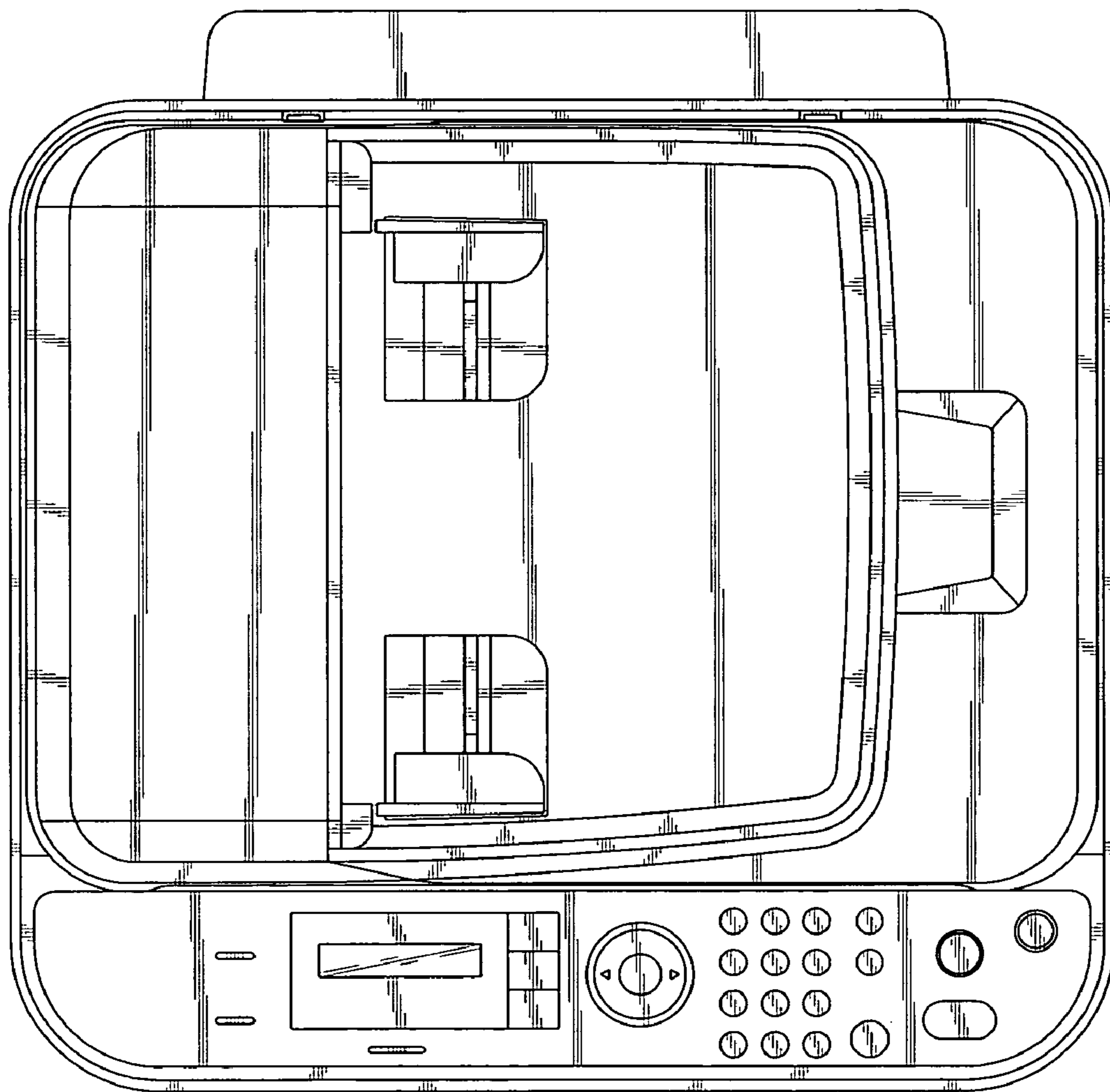


FIG. 6

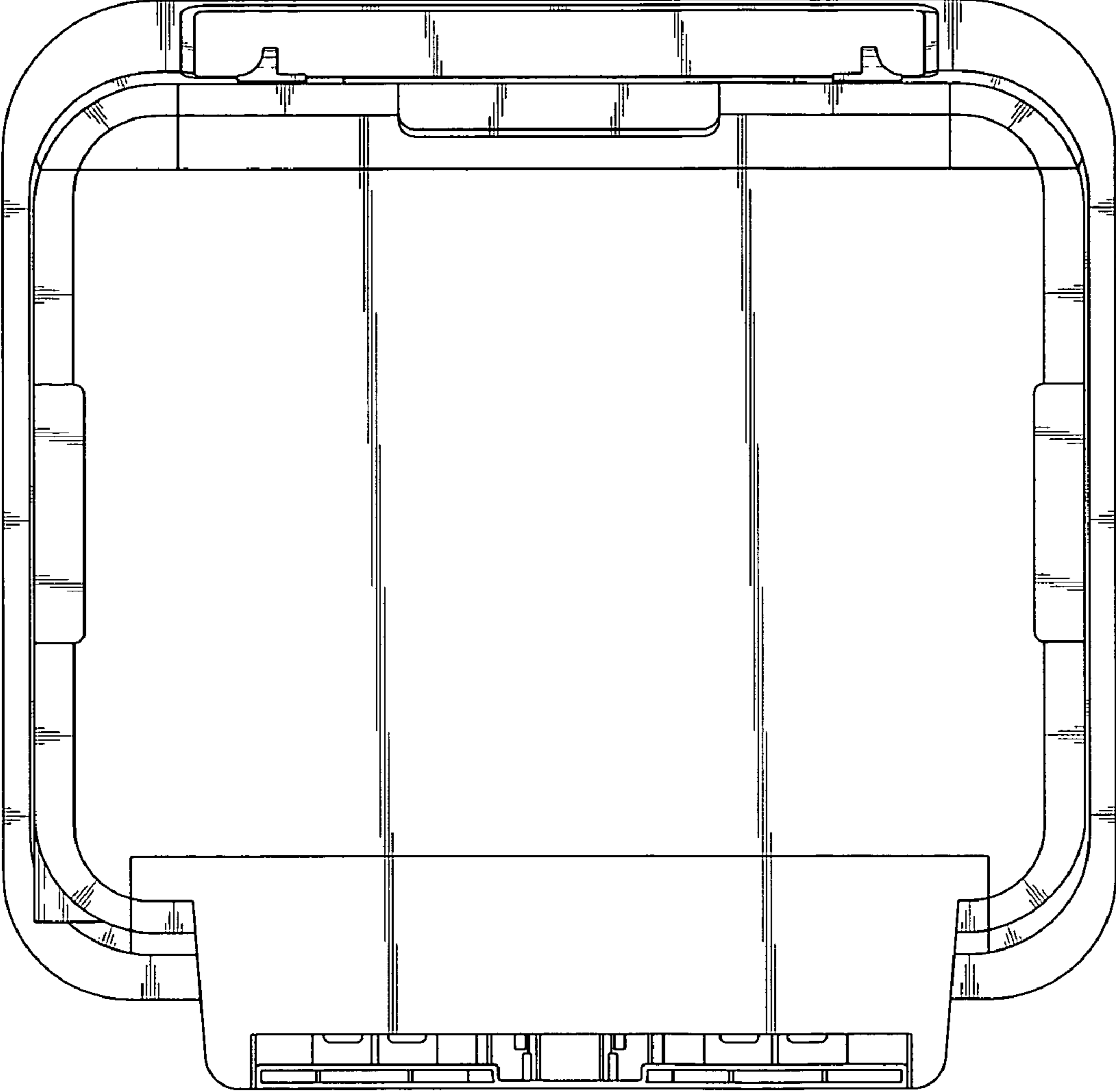


FIG. 7