



US00D633555S

(12) **United States Design Patent**
Egami

(10) **Patent No.:** **US D633,555 S**
(45) **Date of Patent:** **** Mar. 1, 2011**

(54) **PRINTER**

(75) Inventor: **Keiichiro Egami**, Nagoya (JP)

(73) Assignee: **Brother Industries, Ltd.**, Nagoya (JP)

(**) Term: **14 Years**

(21) Appl. No.: **29/331,505**

(22) Filed: **Jan. 27, 2009**

(30) **Foreign Application Priority Data**

Aug. 7, 2008 (JP) 2008-020523

(51) **LOC (9) Cl.** **14-02**

(52) **U.S. Cl.** **D18/50**

(58) **Field of Classification Search** D18/36–39,
D18/50, 54, 54.1, 55; D14/315, 327, 420–425,
D14/463–470; 400/613, 613.1–613.4, 690,
400/690.1–690.4, 691–694

See application file for complete search history.

(56) **References Cited**

U.S. PATENT DOCUMENTS

D281,256 S	*	11/1985	Yamamoto	D18/55
D439,273 S	*	3/2001	Sato et al.	D18/54.1
D522,569 S	*	6/2006	Katayama et al.	D18/50
D523,071 S	*	6/2006	Katayama et al.	D18/50
D534,578 S	*	1/2007	Katayama et al.	D18/55
D548,776 S		8/2007	Egami et al.		
D552,168 S		10/2007	Egami et al.		
D552,169 S		10/2007	Egami et al.		
D555,195 S	*	11/2007	Park et al.	D18/55
D574,886 S		8/2008	Mase et al.		
D575,330 S		8/2008	Egami et al.		
D582,972 S	*	12/2008	Hashimoto et al.	D18/50
D596,227 S	*	7/2009	Larson et al.	D18/55
D613,792 S		4/2010	Suzuki et al.		
D614,235 S		4/2010	Nakata		
D622,762 S	*	8/2010	Egami et al.	D18/55

* cited by examiner

Primary Examiner—Cathy Anne MacCormac

(74) *Attorney, Agent, or Firm*—Oliff & Berridge, PLC

(57) **CLAIM**

The ornamental design for a printer, as shown and described.

DESCRIPTION

FIG. 1 is a perspective view according to a first embodiment of a printer;

FIG. 2 is a front view thereof;

FIG. 3 is a top view thereof;

FIG. 4 is a right-side view thereof;

FIG. 5 is a left-side view thereof;

FIG. 6 is a cross-sectional view thereof taken along the line 6—6 of FIG. 2;

FIG. 7 is a partial enlarged view taken within the circle 7 of FIG. 6;

FIG. 8 is a perspective view according to a second embodiment of a printer;

FIG. 9 is a front view of FIG. 8;

FIG. 10 is a top view of FIG. 8;

FIG. 11 is a cross-sectional view of FIG. 8 taken along the line 11—11 of FIG. 9; and,

FIG. 12 is a partial enlarged view taken within the circle 12 of FIG. 11.

The broken lines depict environmental subject matter only and form no part of the claimed design.

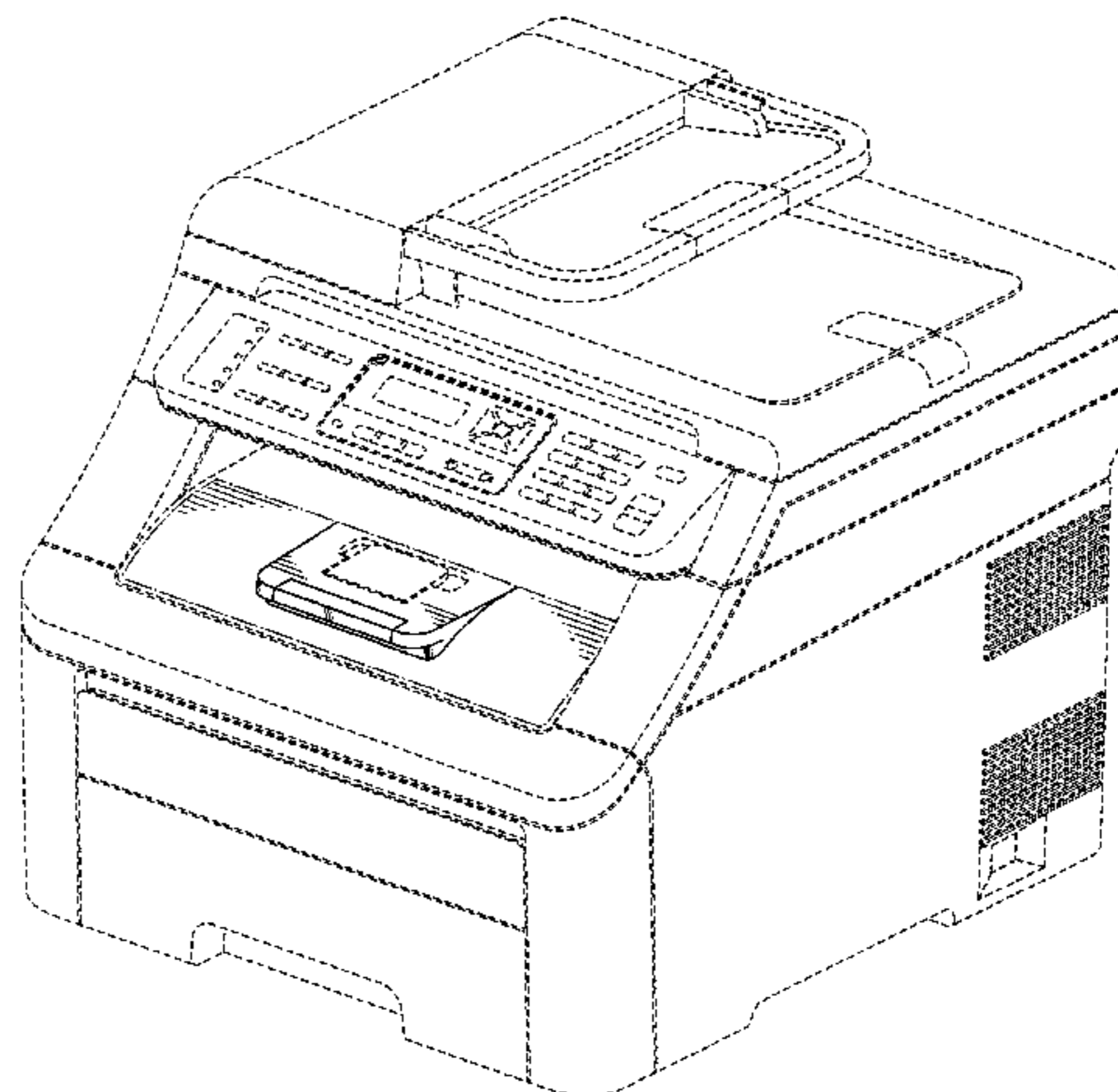
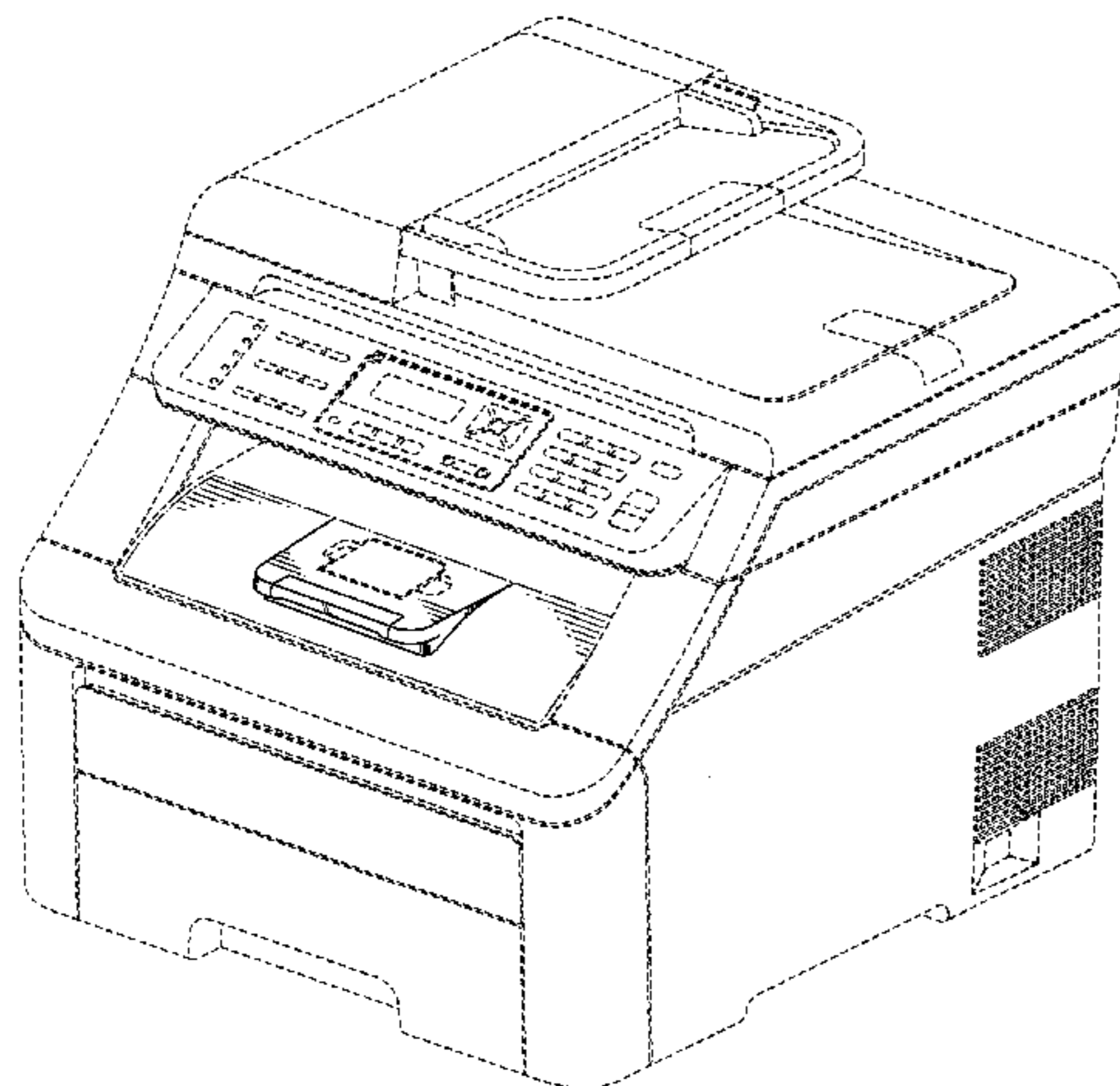
The dot-chain lines illustrate a border of the claimed subject matter and form no part of the claimed design.

The broken lines depict environmental subject matter only and form no part of the claimed design.

The dot-chain lines illustrate a border of the claimed subject matter and form no part of the claimed design.

The right-side and left-side views of the second embodiment are the same as the right-side and left-side views of the first embodiment and are not illustrated.

1 Claim, 10 Drawing Sheets



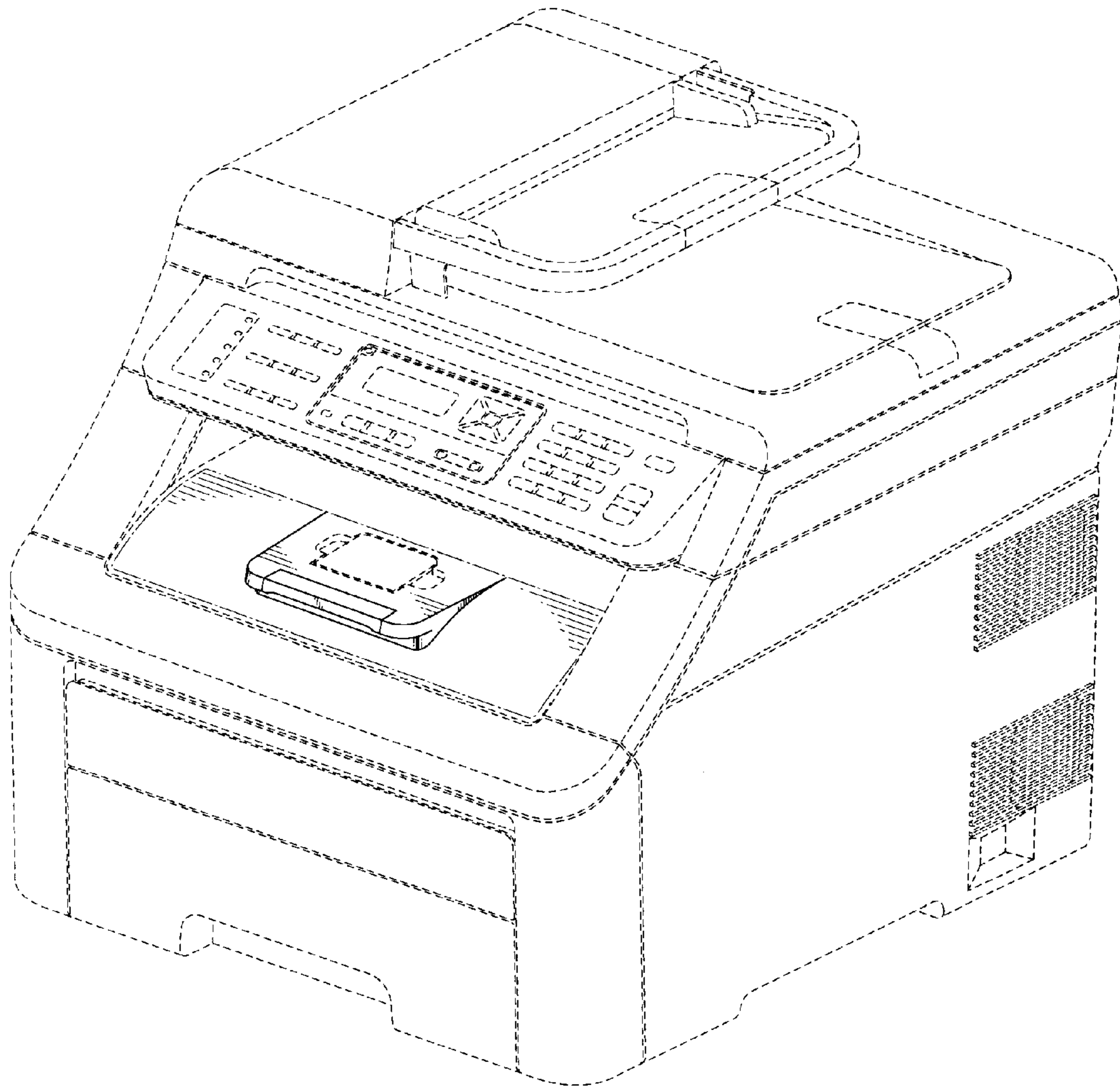


FIG. 1

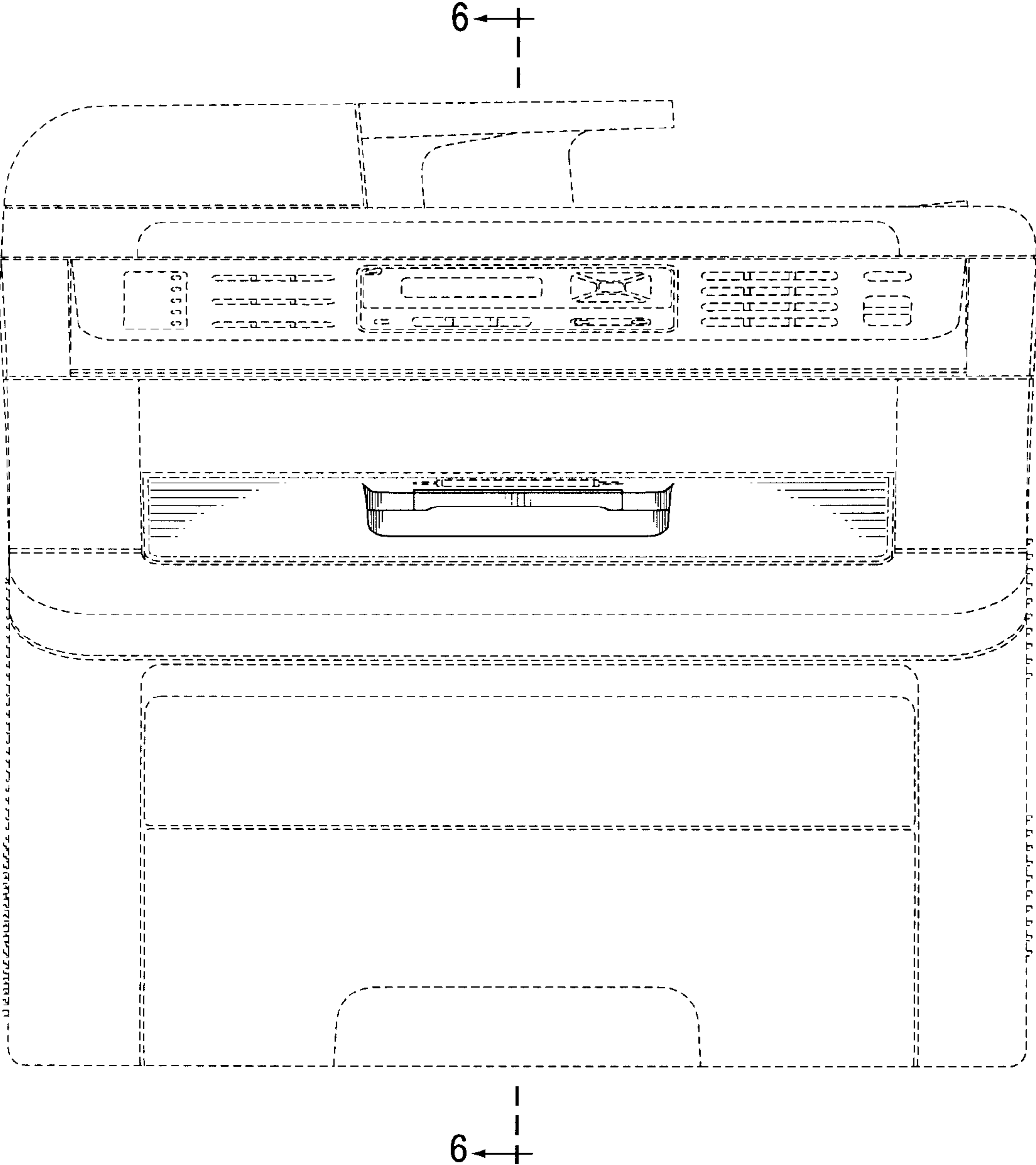


FIG. 2

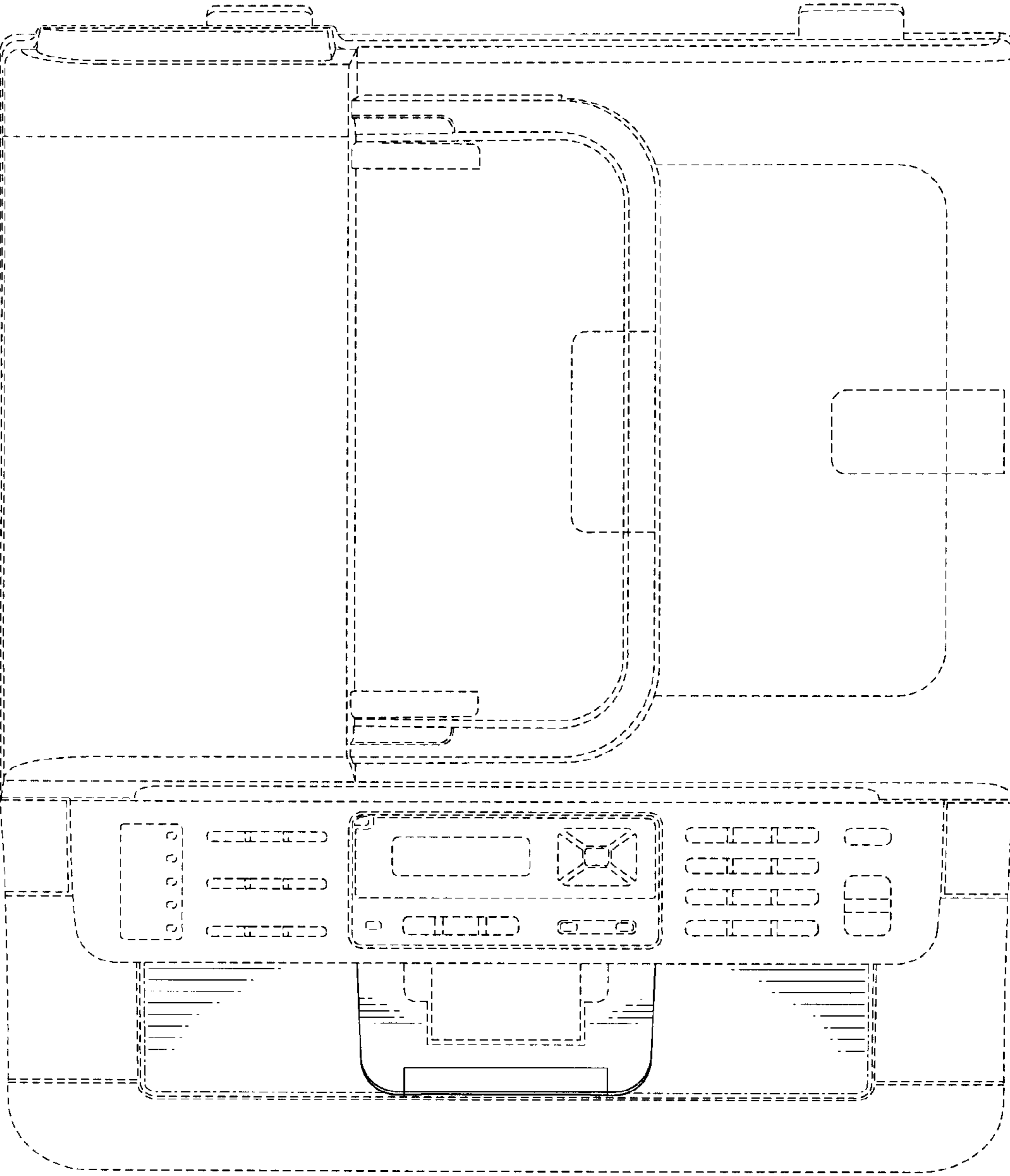


FIG. 3

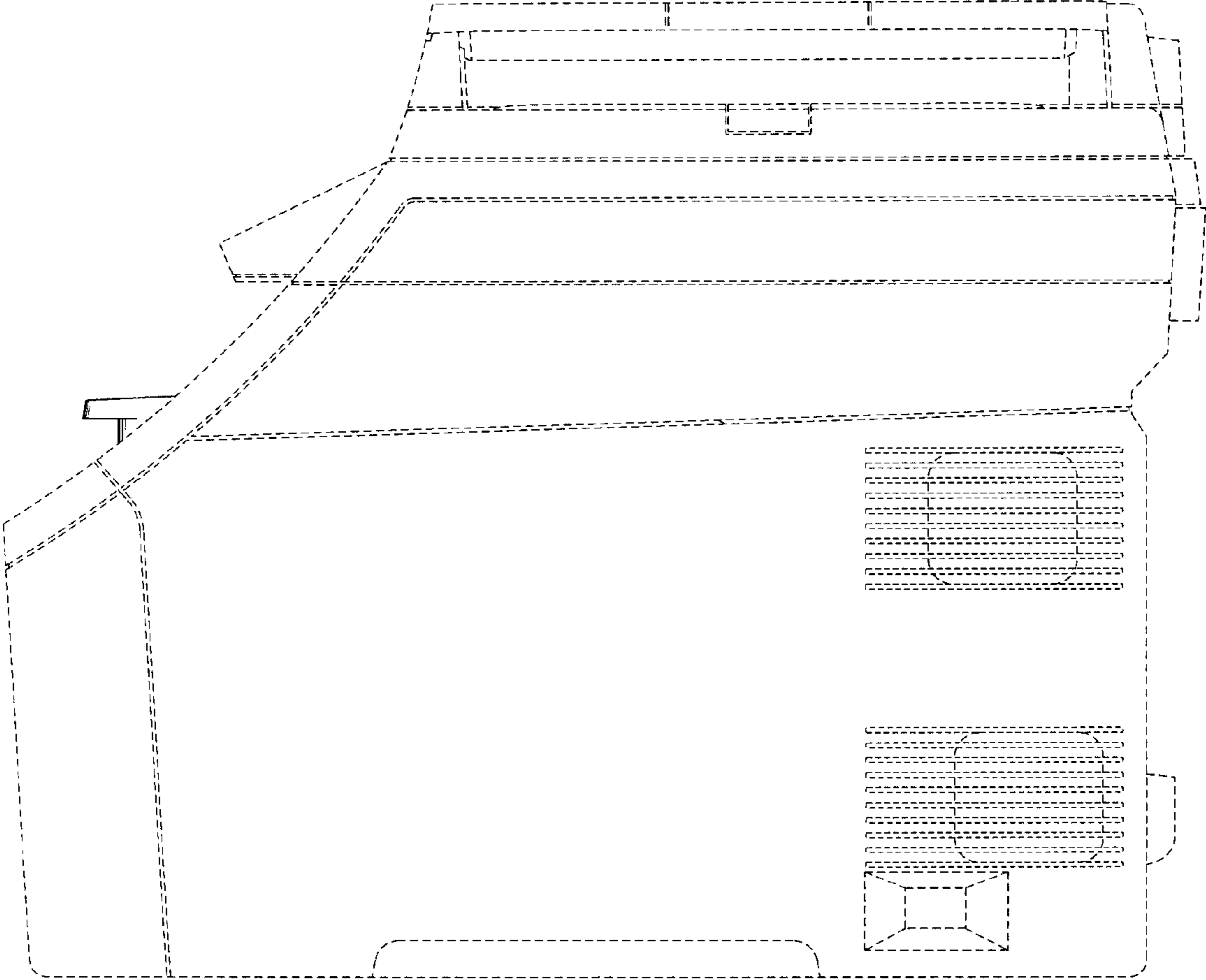


FIG. 4

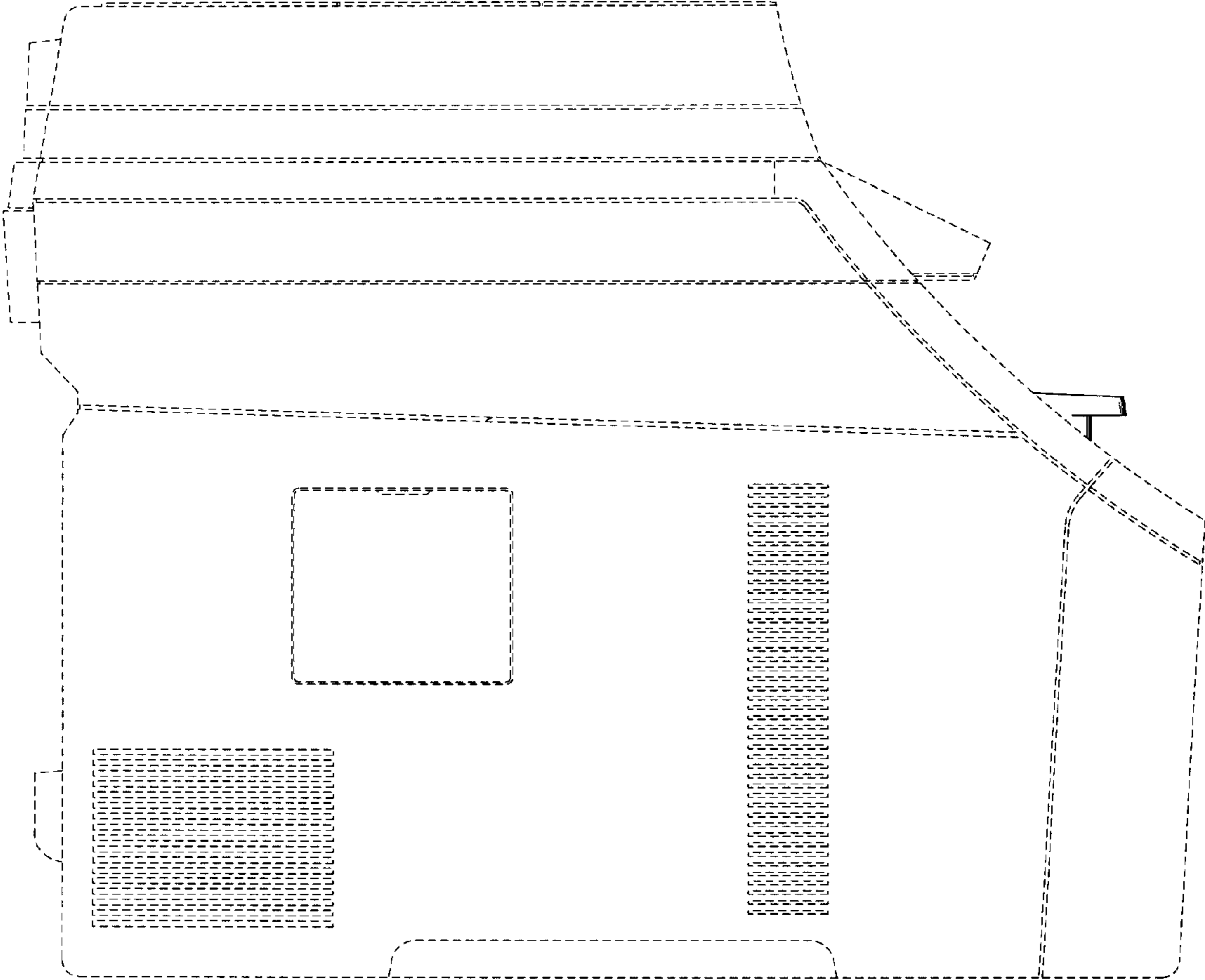


FIG. 5

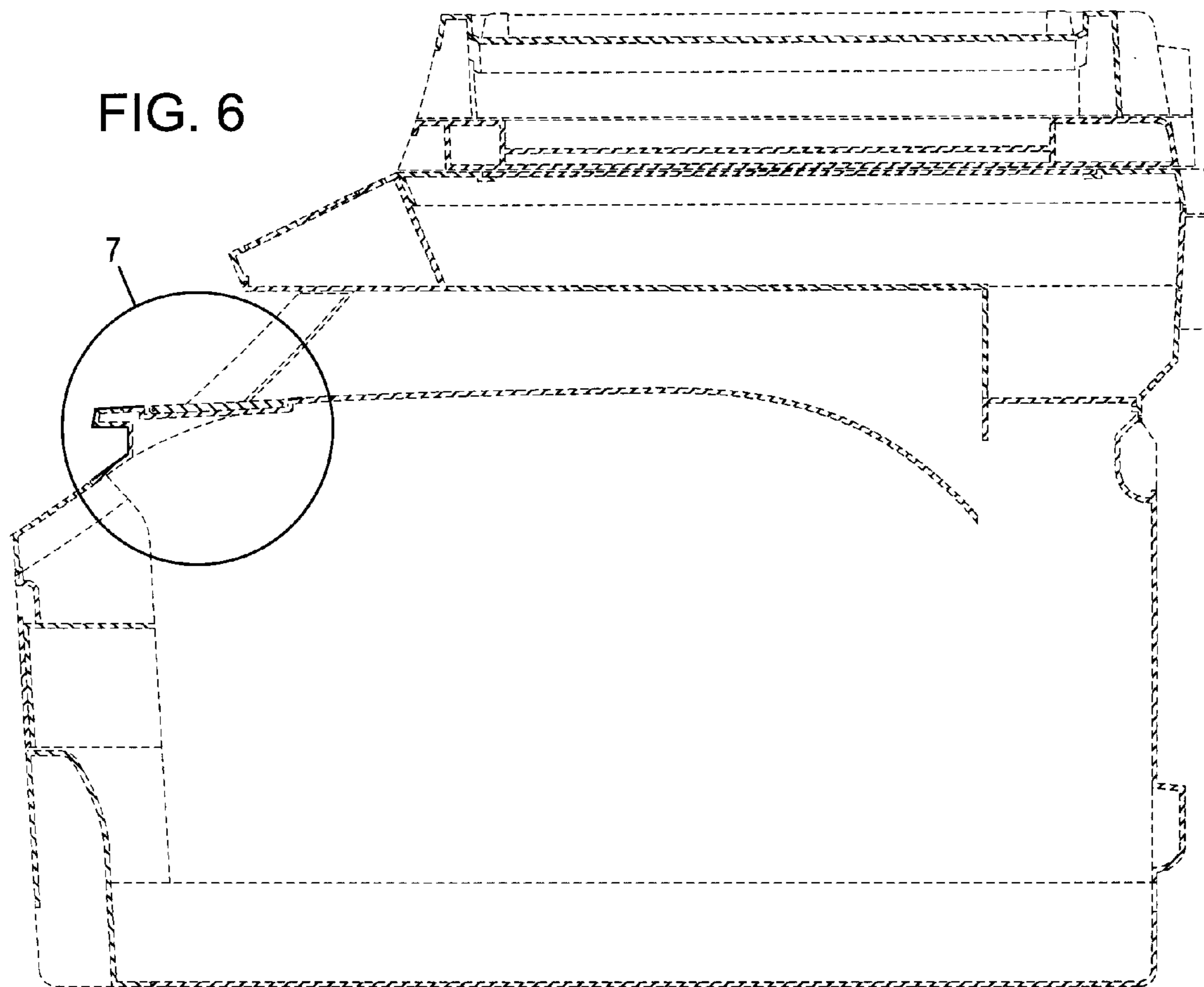
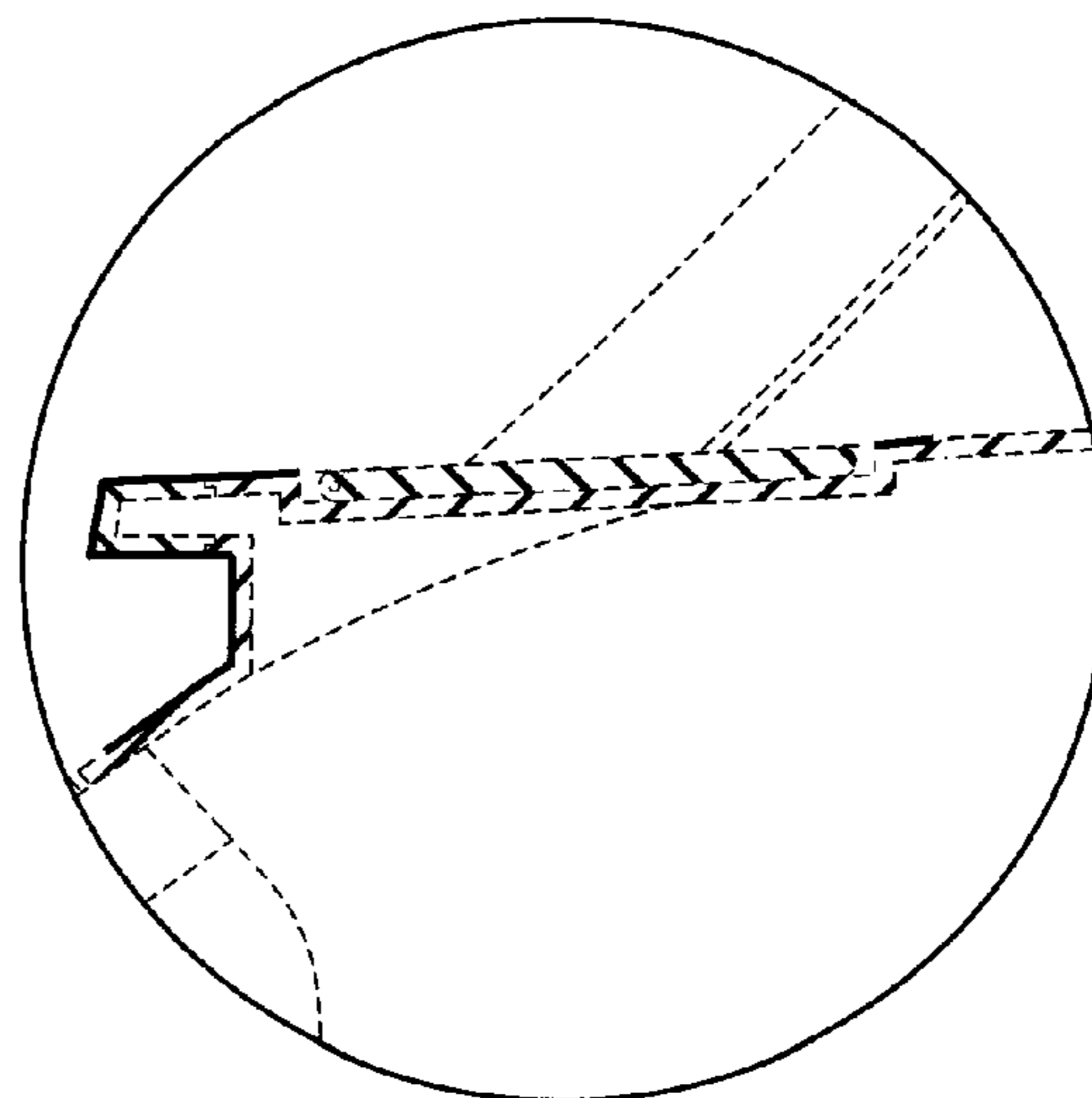


FIG. 7



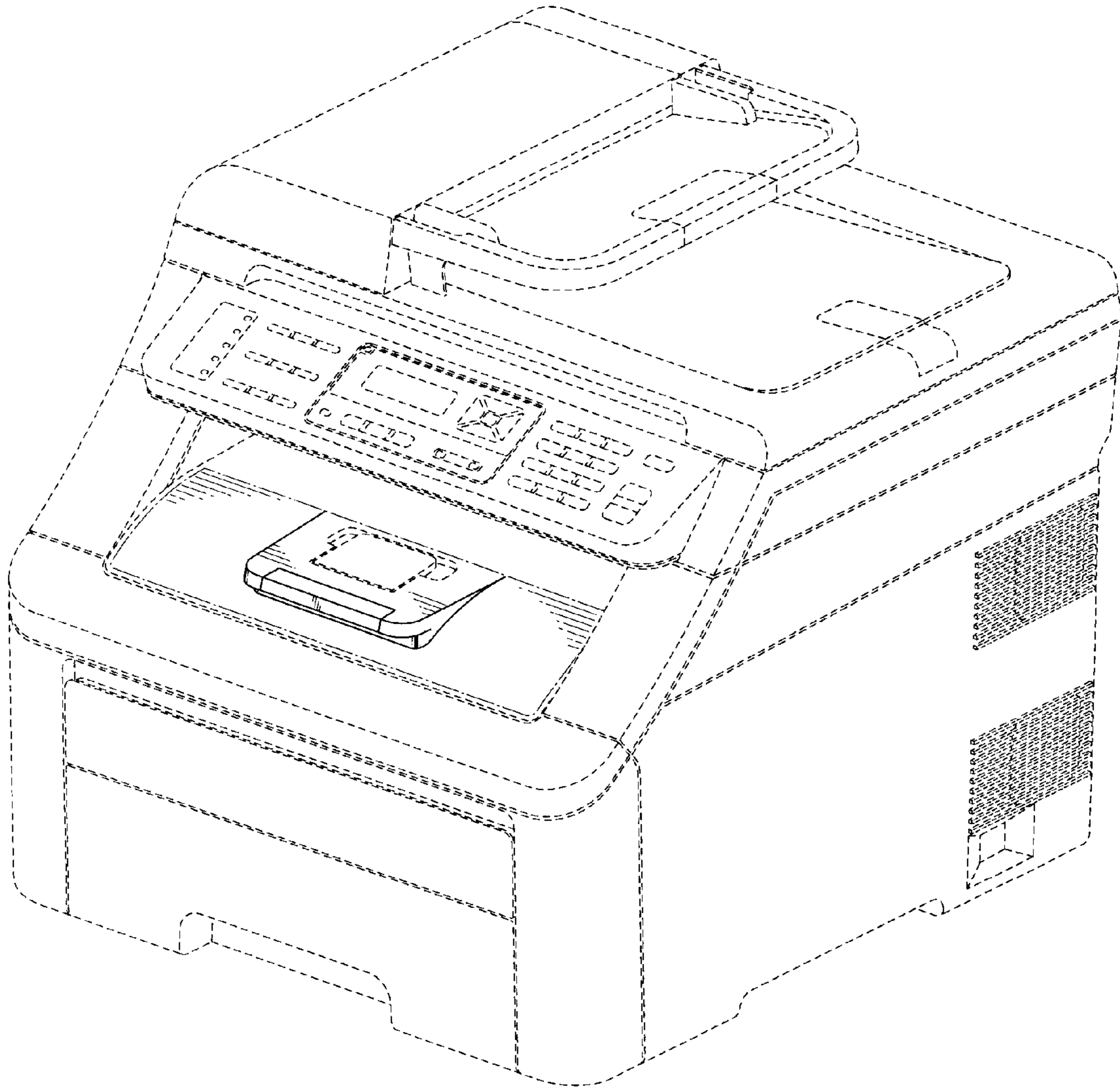


FIG. 8

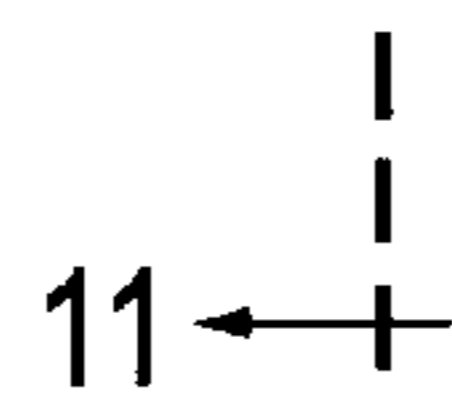
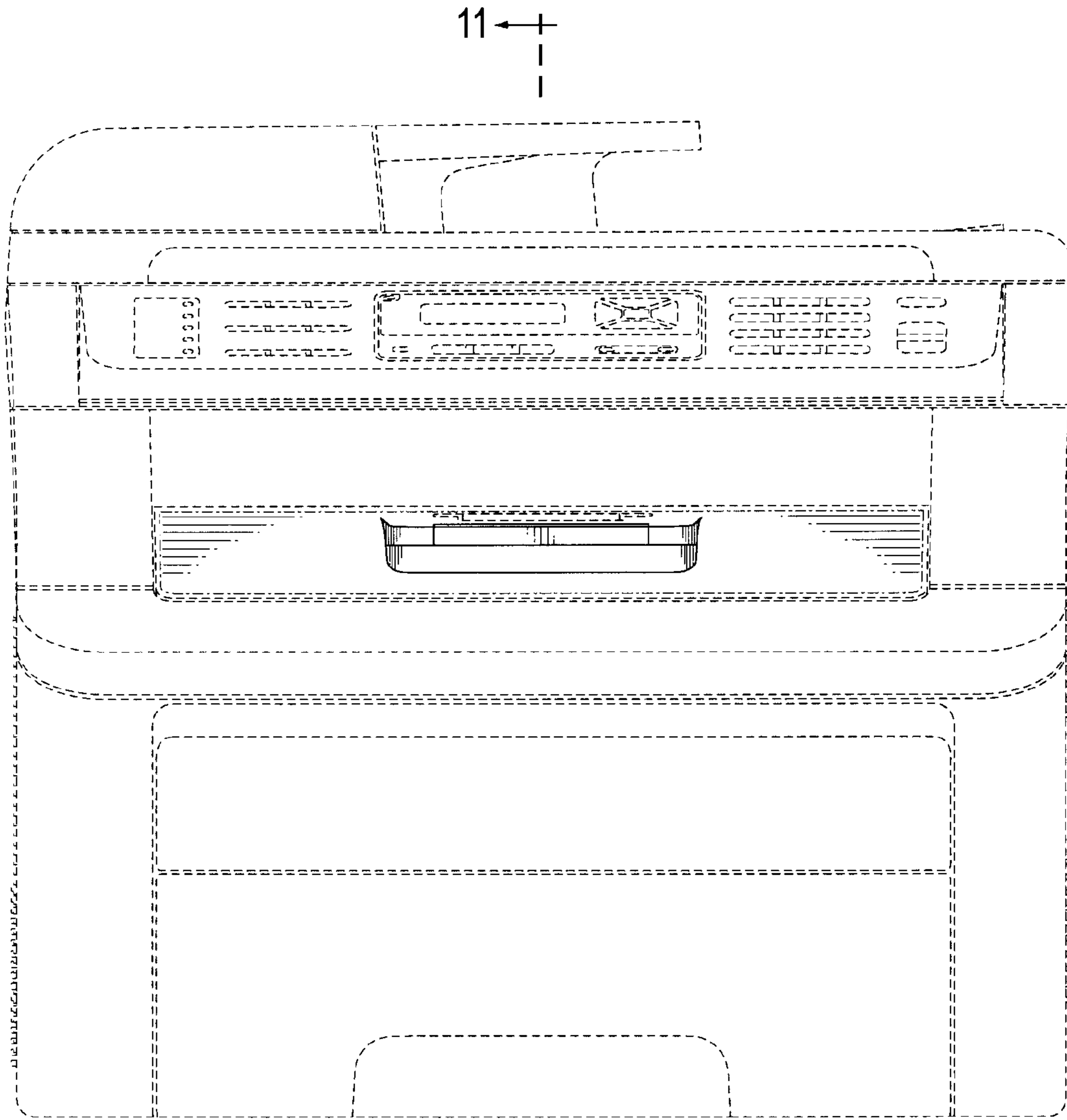


FIG. 9

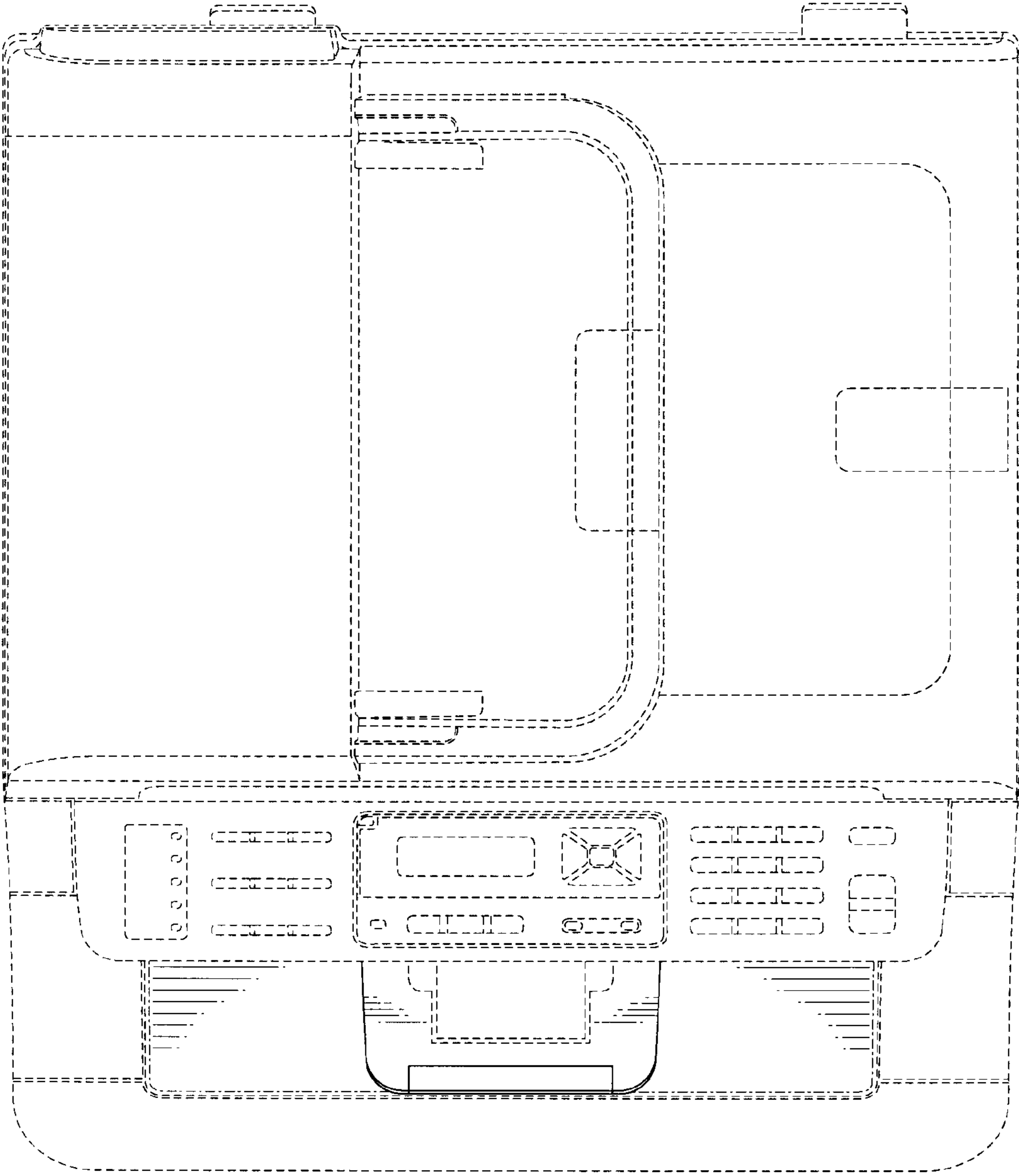


FIG. 10

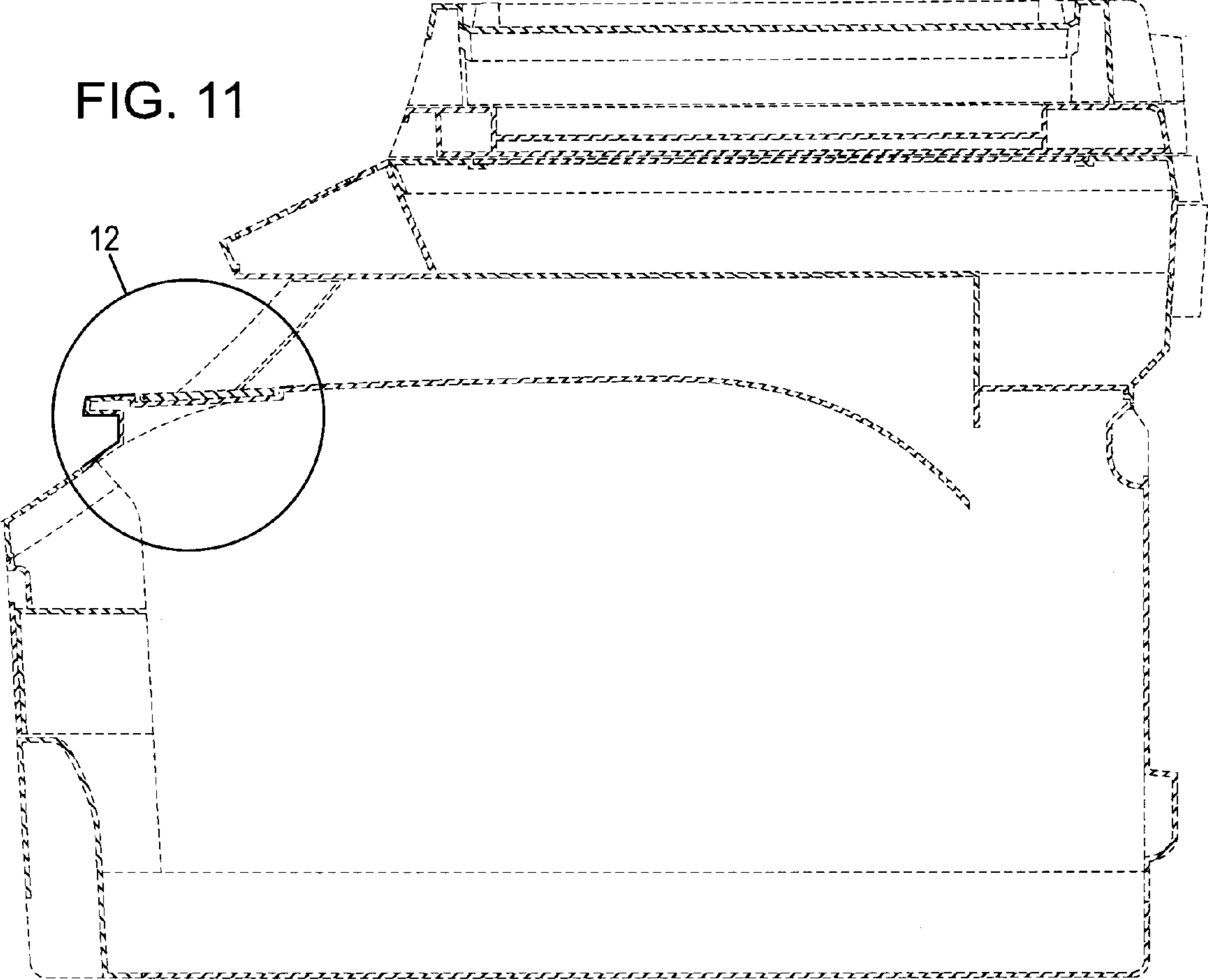


FIG. 12

