



US00D633554S

(12) **United States Design Patent**
Nguyen

(10) **Patent No.:** **US D633,554 S**
(45) **Date of Patent:** **** Mar. 1, 2011**

(54) **HARP HOLDER FOR A HARMONICA**

(75) Inventor: **The-Hai Nguyen**, Aixheim (DE)

(73) Assignee: **Matth. Hohner AG**, Trossingen (DE)

(**) Term: **14 Years**

(21) Appl. No.: **29/352,826**

(22) Filed: **Dec. 28, 2009**

(30) **Foreign Application Priority Data**

Jul. 29, 2009 (EM) 001595661

(51) **LOC (9) Cl.** **17-01**

(52) **U.S. Cl.** **D17/13**

(58) **Field of Classification Search** D17/1,
D17/7, 9, 12, 13, 14, 20, 10, 18, 99; 84/13,
84/27, 29, 30, 33, 34, 40, 174, 377, DIG. 14,
84/379, 384; 984/51, 52, 101, 113, 114
See application file for complete search history.

(56) **References Cited**

U.S. PATENT DOCUMENTS

1,793,823 A * 2/1931 Overton 84/379
1,954,169 A * 4/1934 Futer 84/379
3,172,328 A * 3/1965 Haile 84/379
3,332,310 A * 7/1967 Pochobradsky 84/379
5,608,177 A * 3/1997 Zadworny 84/379
5,619,001 A * 4/1997 Pasin et al. 84/379

5,929,352 A * 7/1999 Gutc et al. 84/379

* cited by examiner

Primary Examiner—Celia A Murphy

Assistant Examiner—Charles D Hanson

(74) *Attorney, Agent, or Firm*—Kilpatrick Townsend & Stockton LLC

(57) **CLAIM**

The ornamental design for a harp holder for a harmonica, as shown and described.

DESCRIPTION

FIG. 1 is a perspective view of a harp holder for a harmonica showing our new design;

FIG. 2 is a front view thereof;

FIG. 3 is a rear view thereof;

FIG. 4 is a right side view thereof;

FIG. 5 is a left side view thereof;

FIG. 6 is a top view thereof;

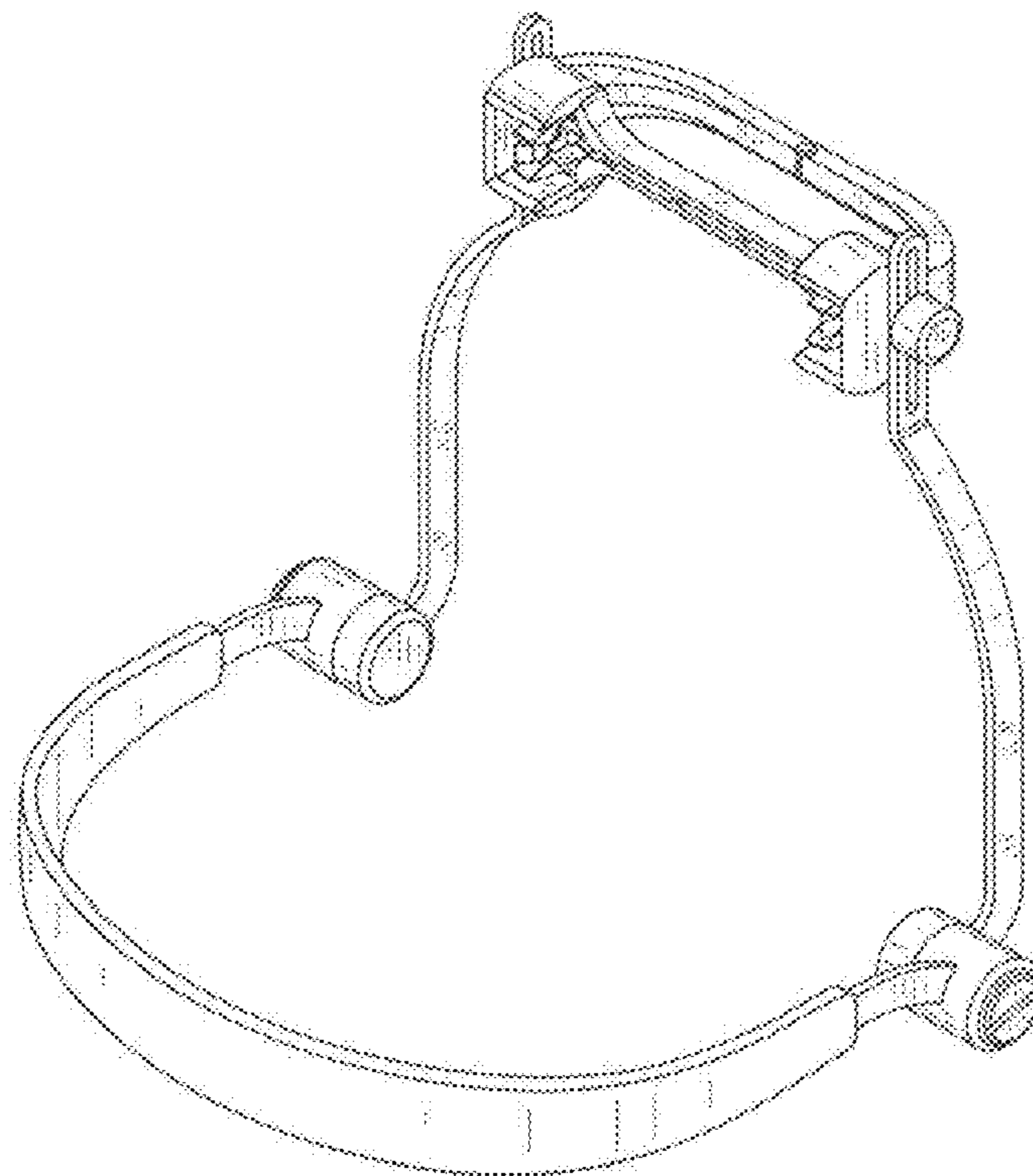
FIG. 7 is a bottom view thereof;

FIG. 8 illustrates the harp holder for a harmonica of FIG. 1 with a harmonic shown in phantom line;

FIG. 9 is a perspective view of the harp holder for a harmonica of FIG. 1 in a folded arrangement; and,

FIG. 10 is a left side view of the harp holder for a harmonica of FIG. 9.

1 Claim, 10 Drawing Sheets



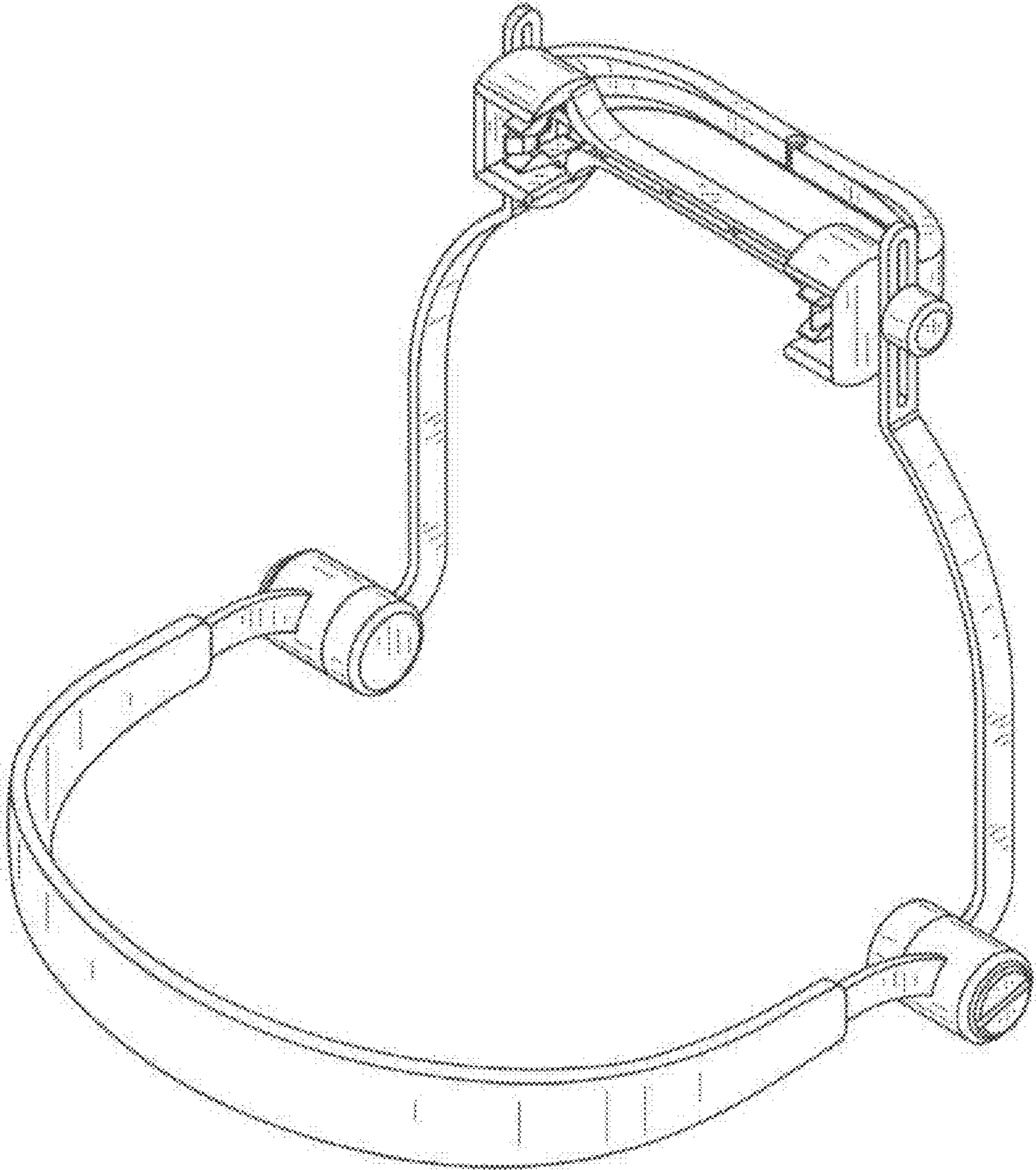


FIG. 1

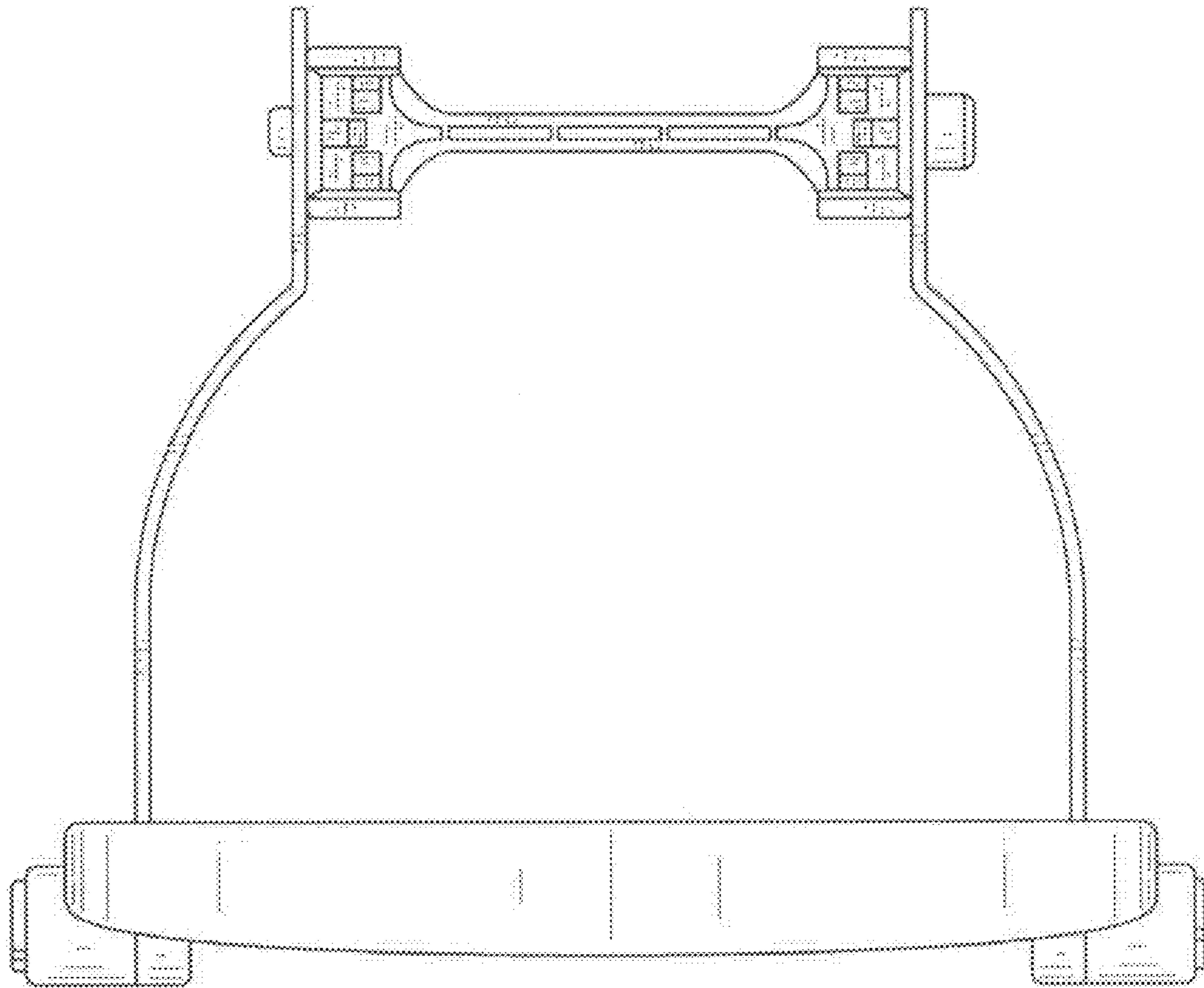


FIG. 2

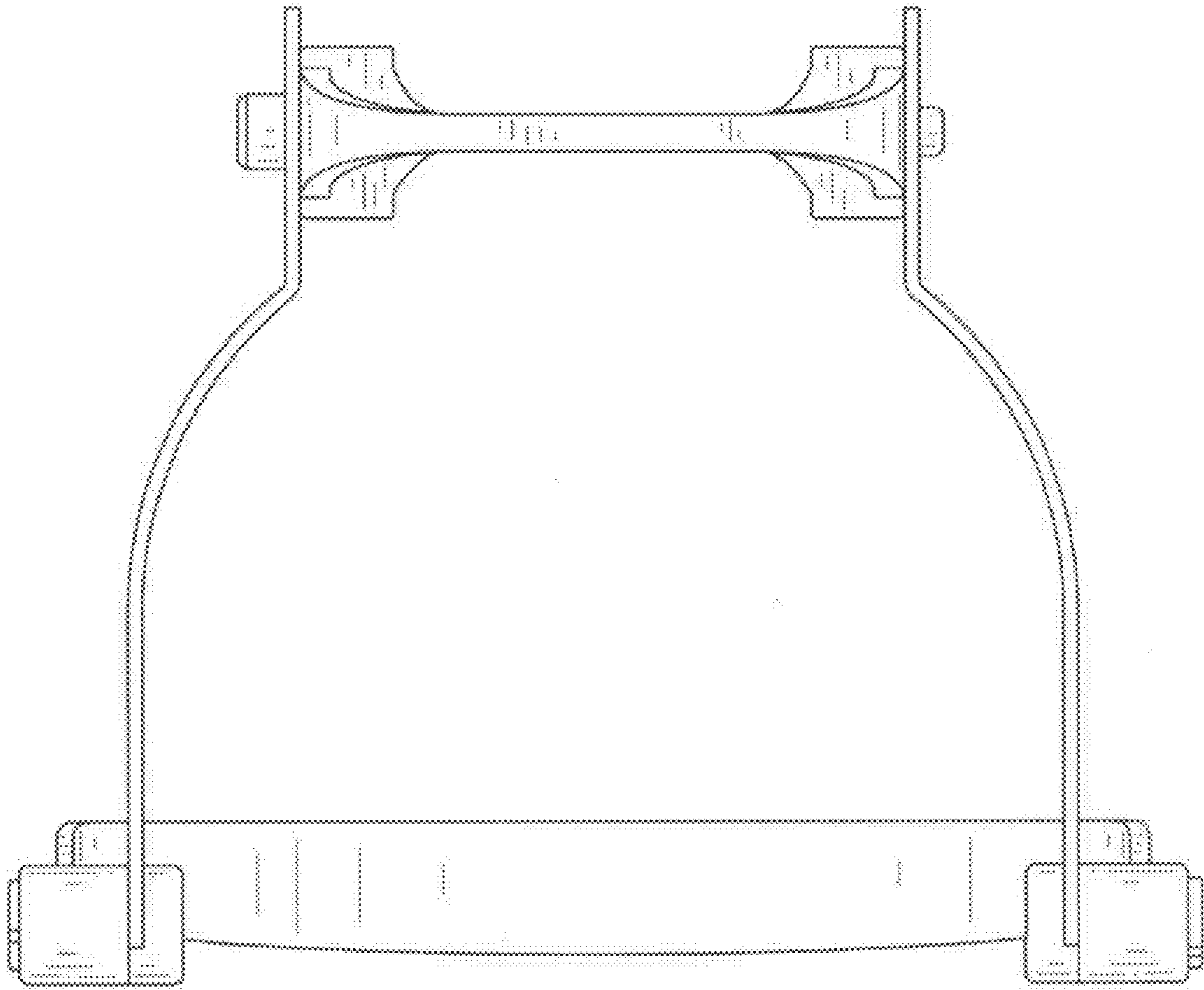


FIG. 3

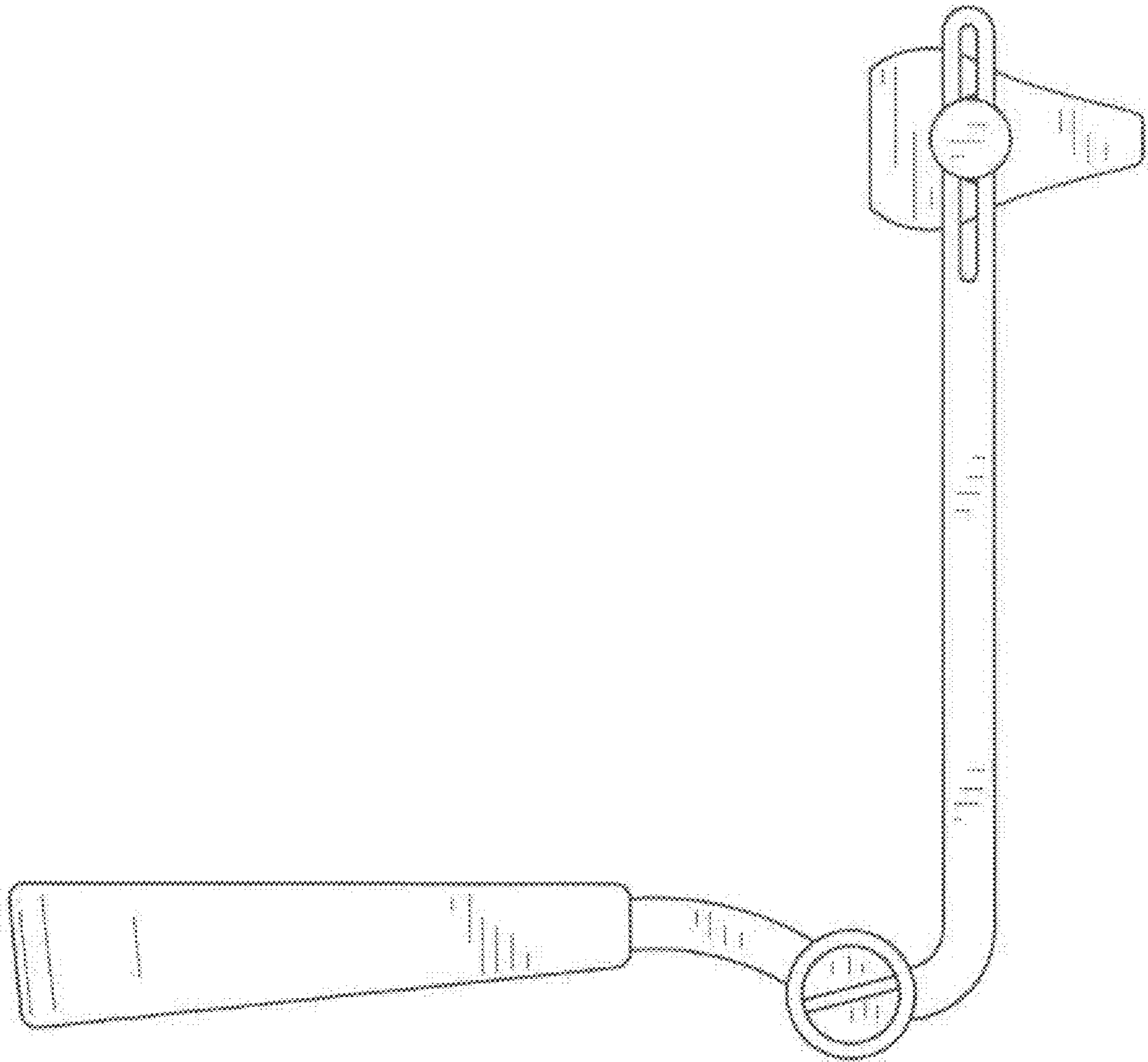


FIG. 4

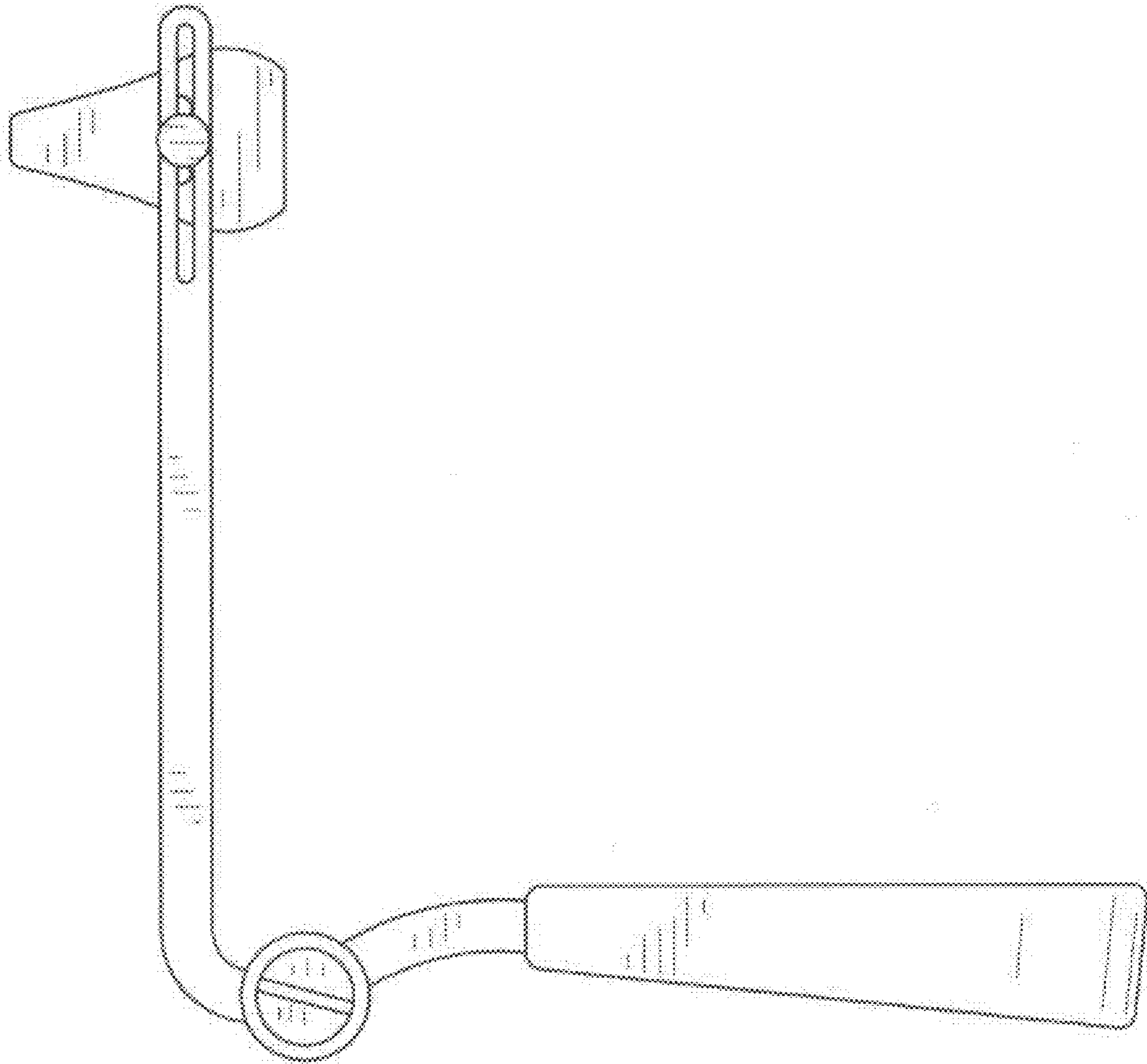


FIG. 5

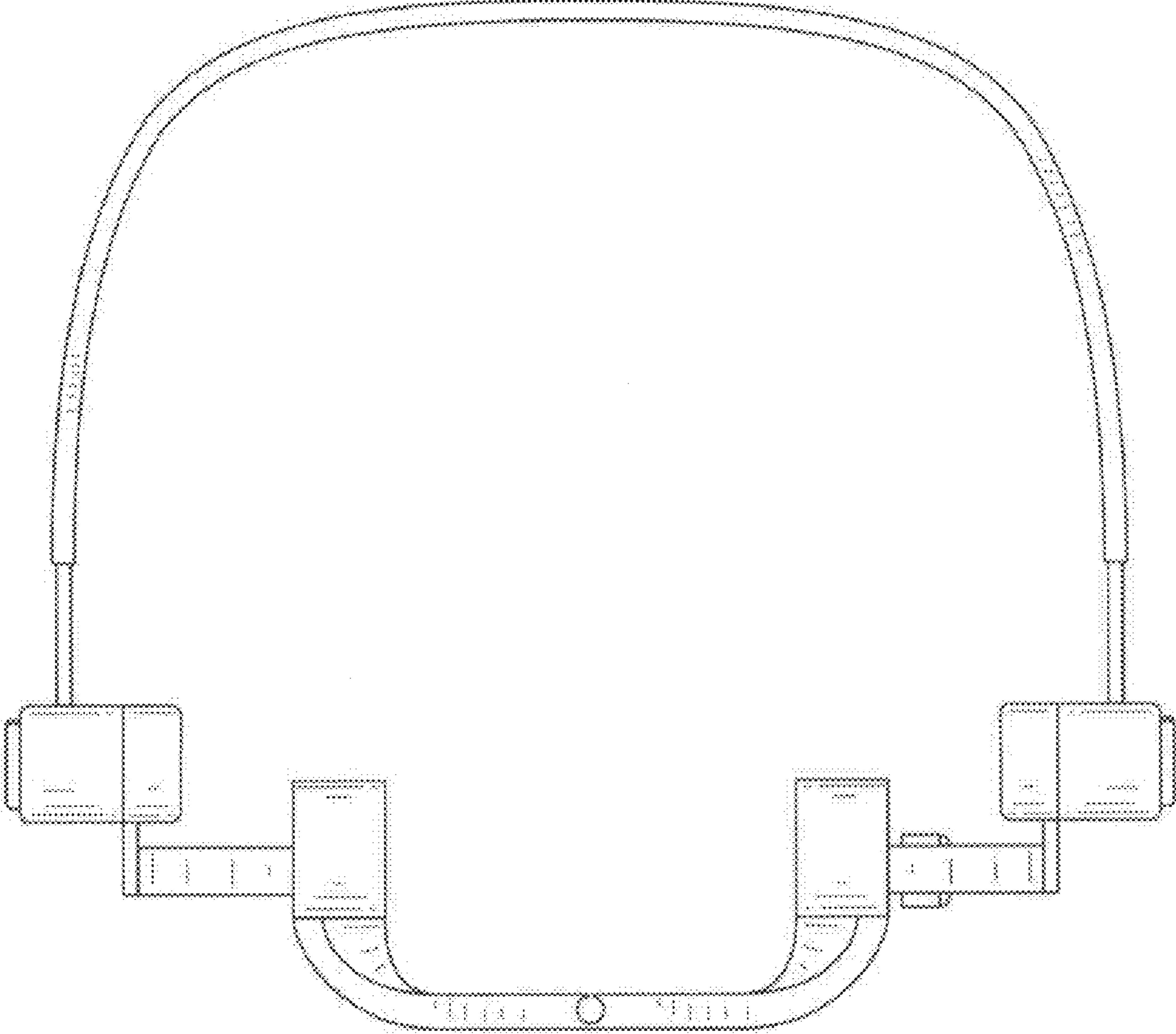


FIG.6

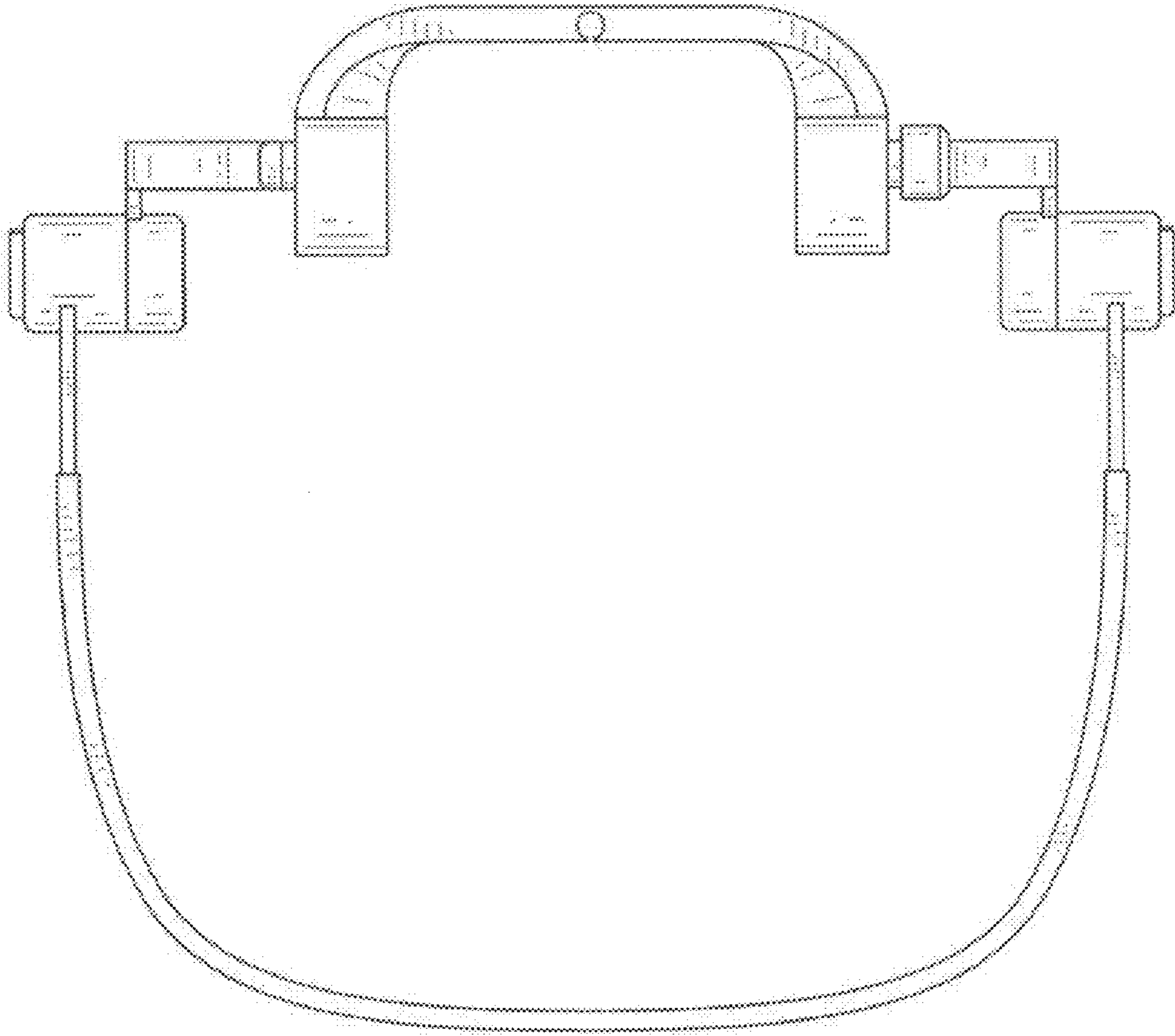


FIG.7

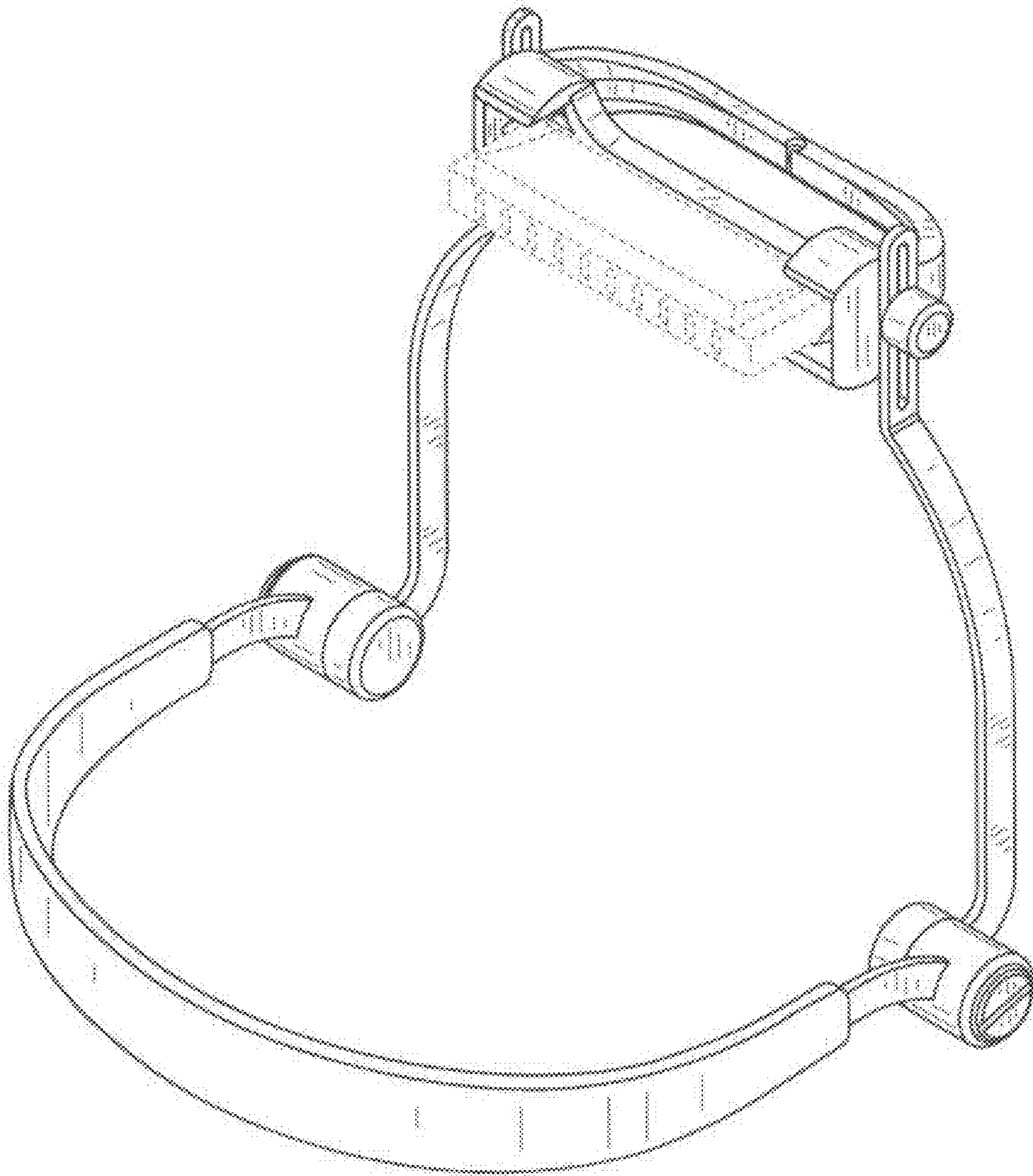


FIG.8

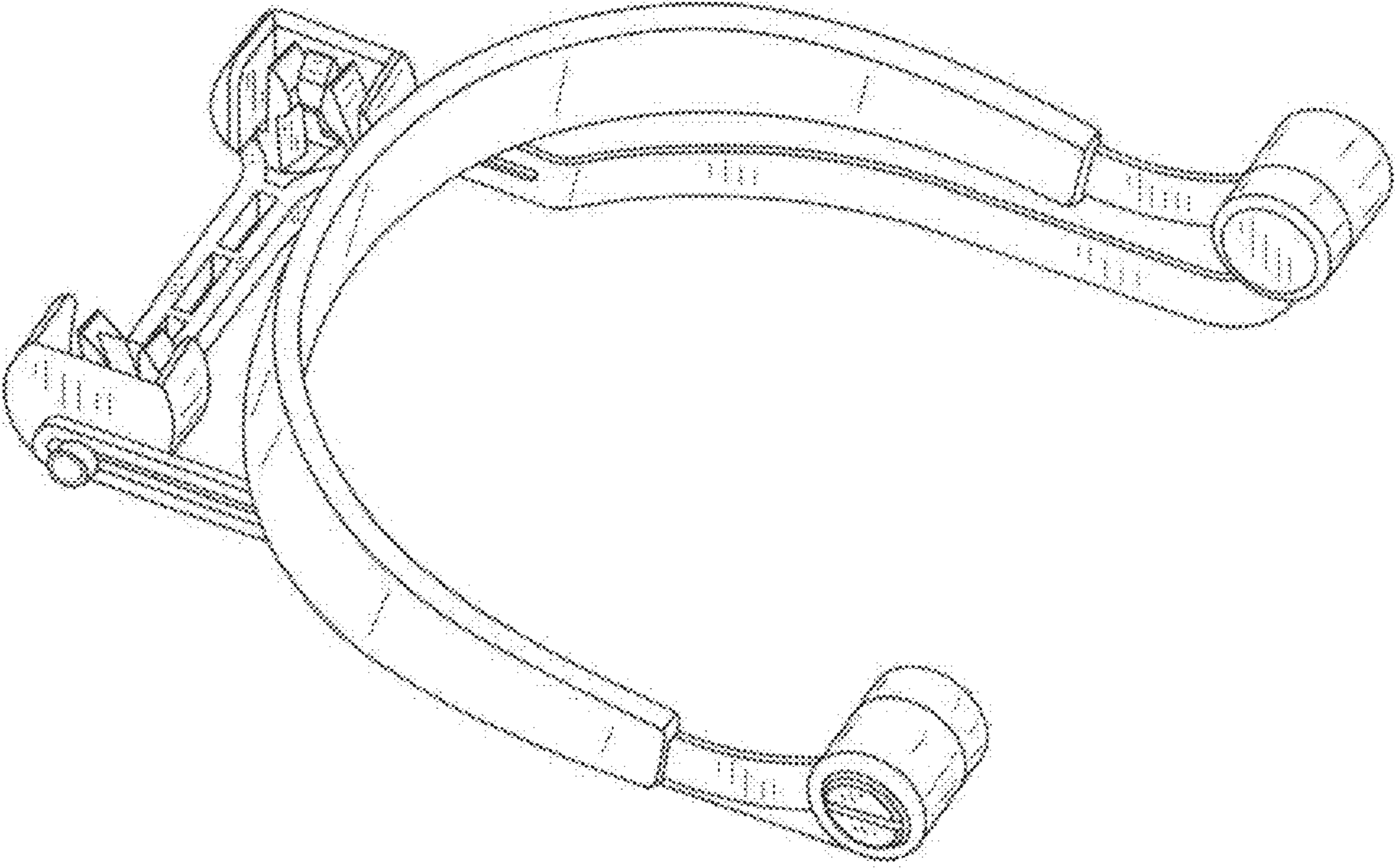


FIG. 9

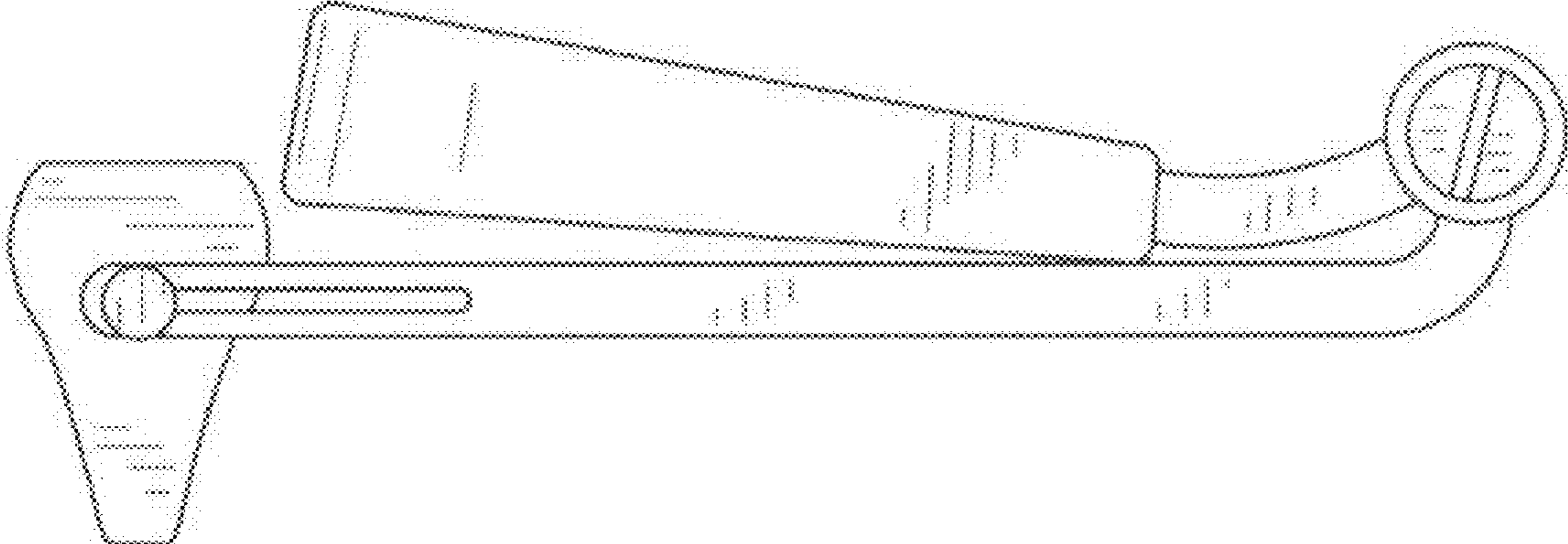


FIG. 10