

US00D633548S

(12) **United States Design Patent**
Huang

(10) **Patent No.:** **US D633,548 S**

(45) **Date of Patent:** **** Mar. 1, 2011**

(54) **PROJECTOR HOLDER**

(76) Inventor: **Ming-Hsien Huang**, Hsi-Chih (TW)

(**) Term: **14 Years**

(21) Appl. No.: **29/366,527**

(22) Filed: **Jul. 27, 2010**

(51) **LOC (9) Cl.** **16-02**

(52) **U.S. Cl.** **D16/235; D16/242**

(58) **Field of Classification Search** D16/235,
D16/242, 245, 221; D8/349, 354-355, 373;
D14/447, 451; 353/119; 352/243; 248/176.1,
248/176.3, 177.1, 221.11, 317, 344, 519,
248/523, 205.1, 346.07, 310, 323, 514, 324
See application file for complete search history.

(56) **References Cited**

U.S. PATENT DOCUMENTS

1,684,925	A *	9/1928	Perlmutter	248/346.07
4,118,002	A *	10/1978	Bartlett	248/310
D513,470	S *	1/2006	Gillespie et al.	D8/355
6,988,698	B2 *	1/2006	O'Neill	248/323
D514,612	S *	2/2006	Boele	D16/235
D540,367	S *	4/2007	Dittmer	D16/235
D560,669	S *	1/2008	Muday et al.	D14/451
7,497,412	B2 *	3/2009	Dittmer et al.	248/514
7,503,536	B2 *	3/2009	Friederich et al.	248/324
D597,582	S *	8/2009	Anderson et al.	D16/235
D611,084	S *	3/2010	Anderson et al.	D16/235

D624,578 S * 9/2010 Smith D16/235

* cited by examiner

Primary Examiner—Ian Simmons

Assistant Examiner—Wan Laymon

(74) *Attorney, Agent, or Firm*—Sheridan Ross P.C.

(57) **CLAIM**

The ornamental design for a projector holder, as shown and described.

DESCRIPTION

FIG. 1 is a perspective view of a projector holder showing my new design;

FIG. 2 is a front elevational view thereof;

FIG. 3 is a rear elevational view thereof;

FIG. 4 is a left side elevational view thereof;

FIG. 5 is a right side elevational view thereof;

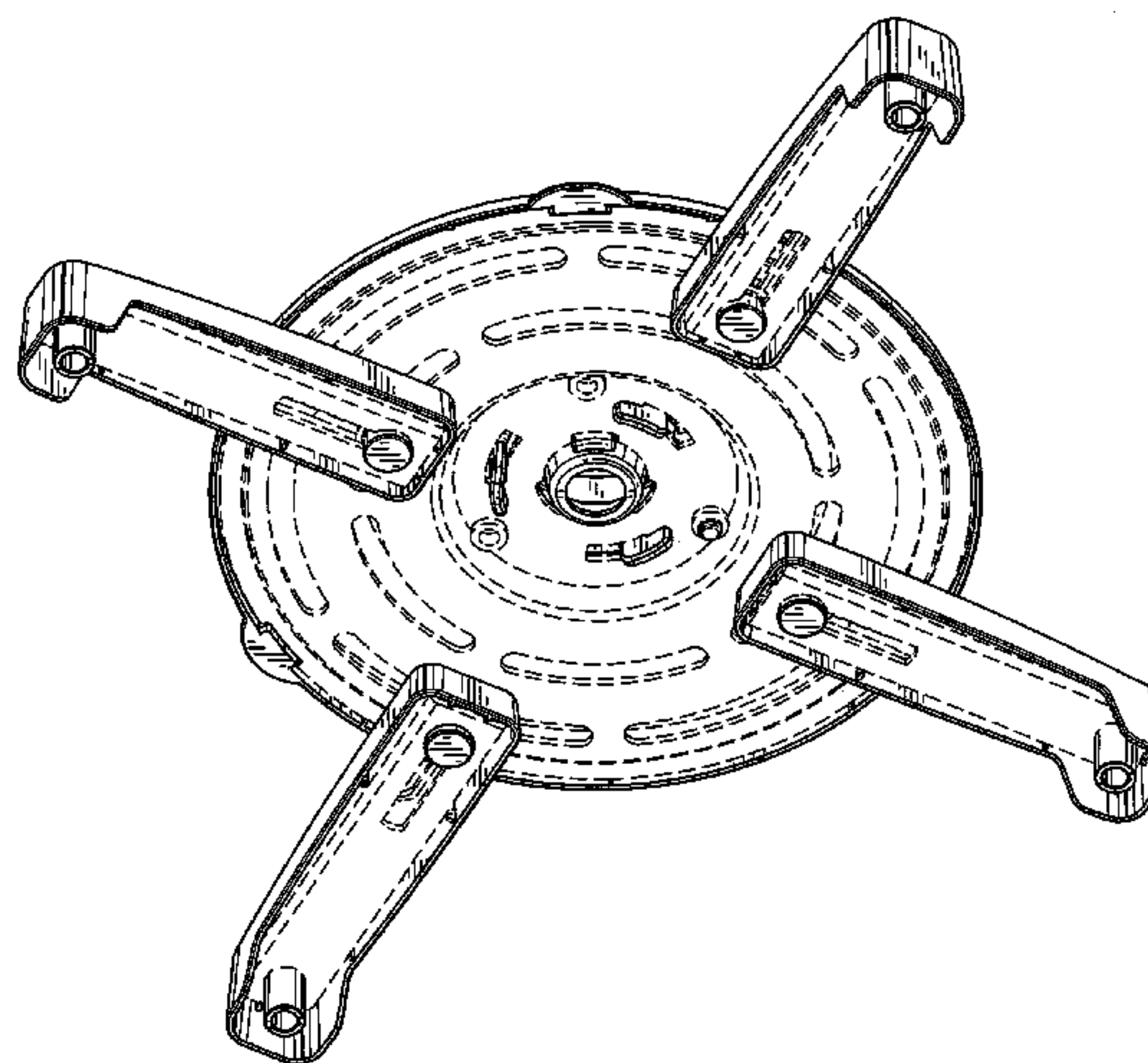
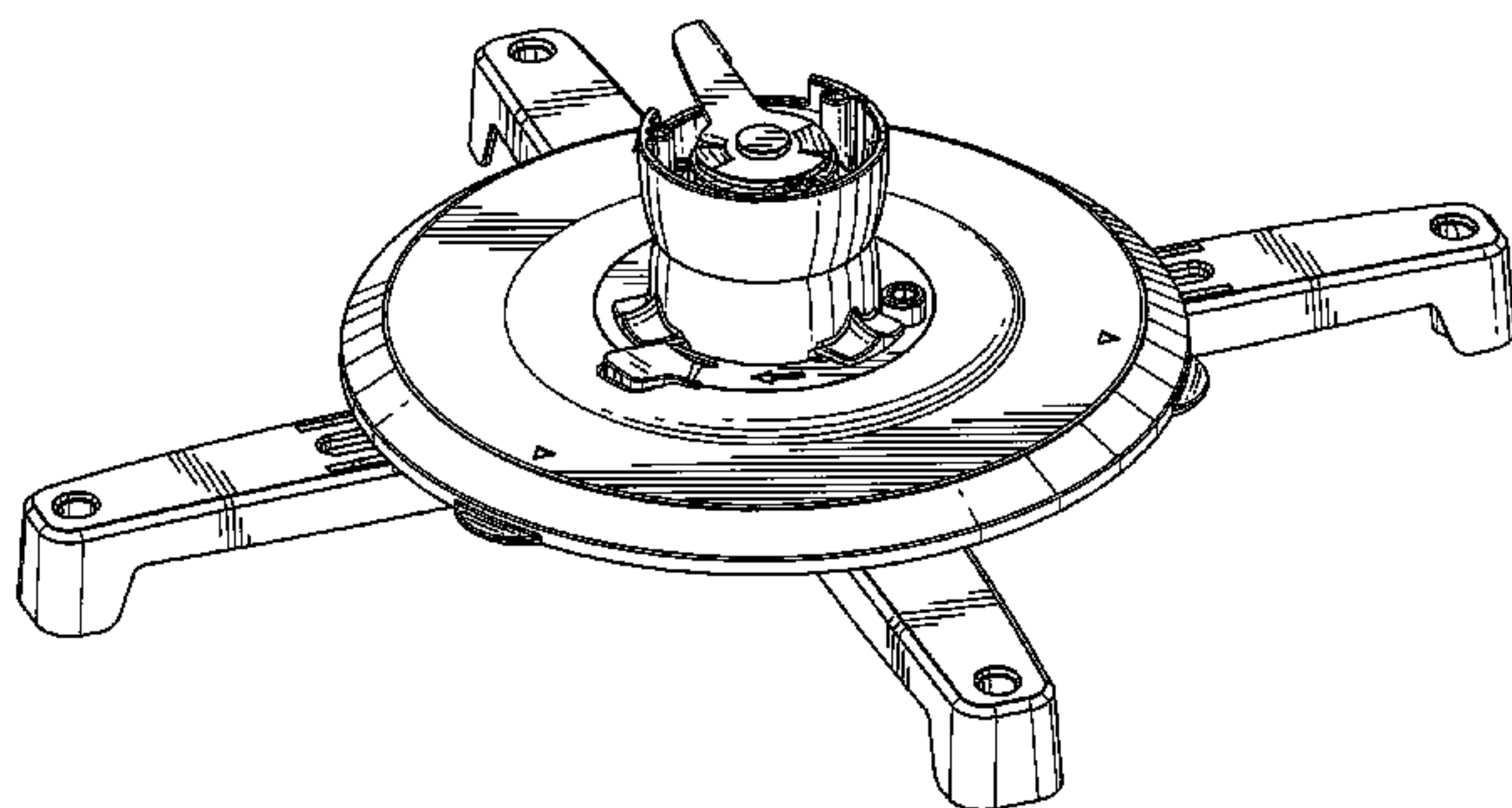
FIG. 6 is a top plan view thereof;

FIG. 7 is a bottom plan view thereof; and,

FIG. 8 is a bottom perspective view.

The broken lines immediately adjacent to the shaded areas in the views represent the boundaries of the design. The broken lines represent portions of the design that form no part of the claim. None of the broken lines form any part of the claimed design.

1 Claim, 7 Drawing Sheets



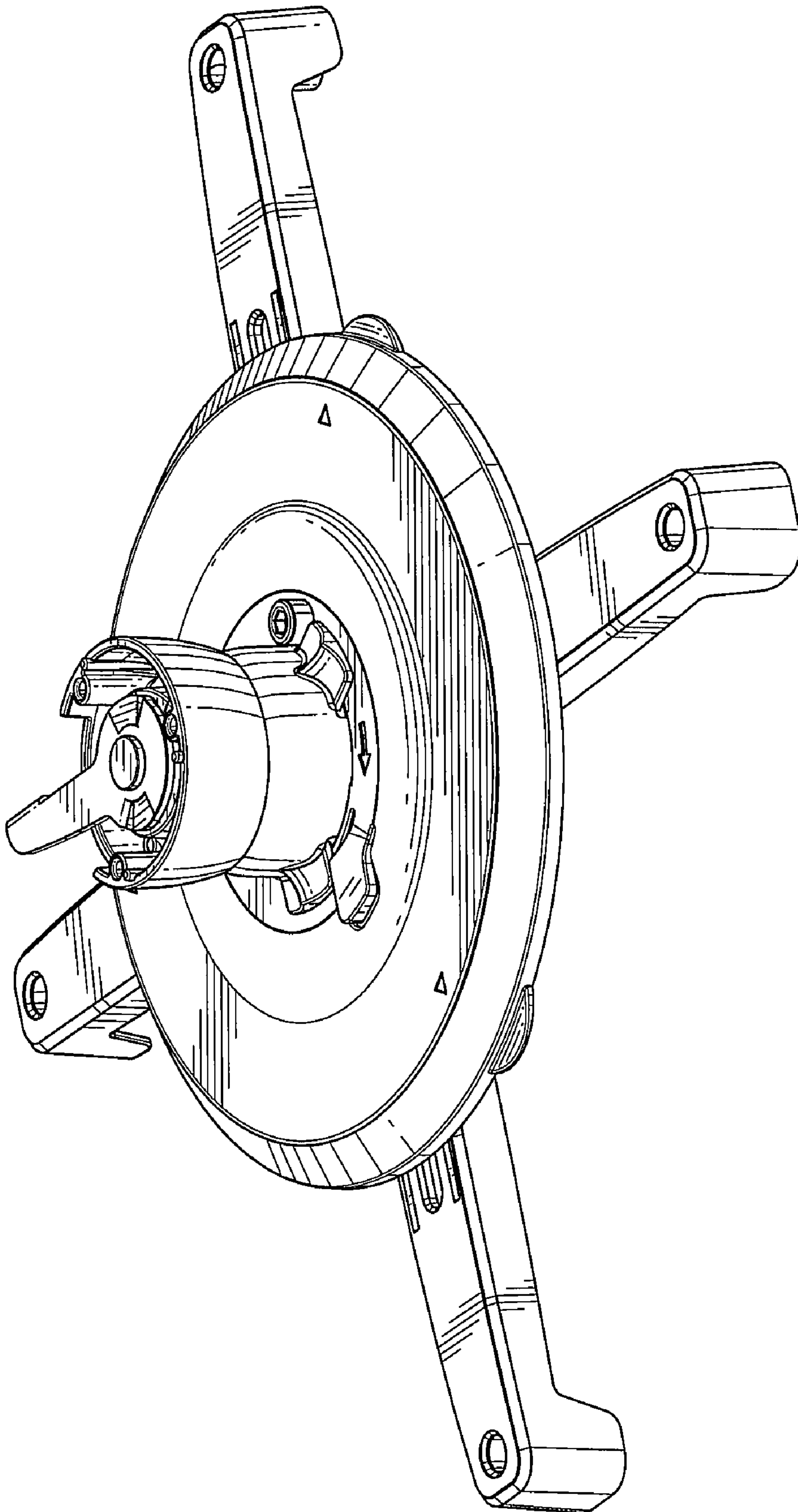


FIG. 1

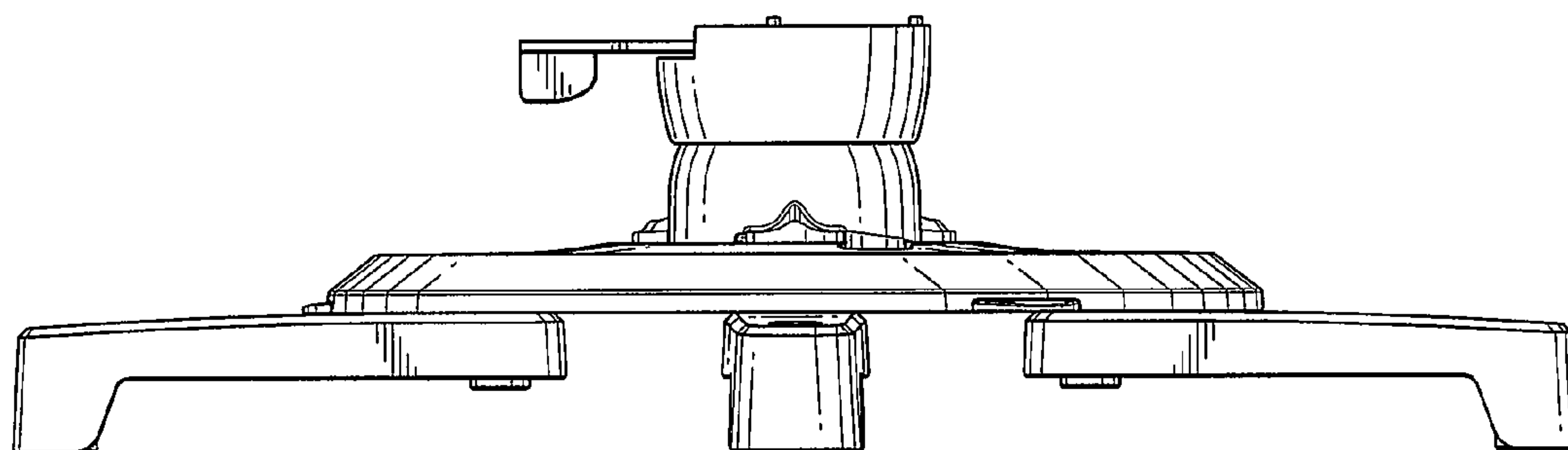


FIG. 2

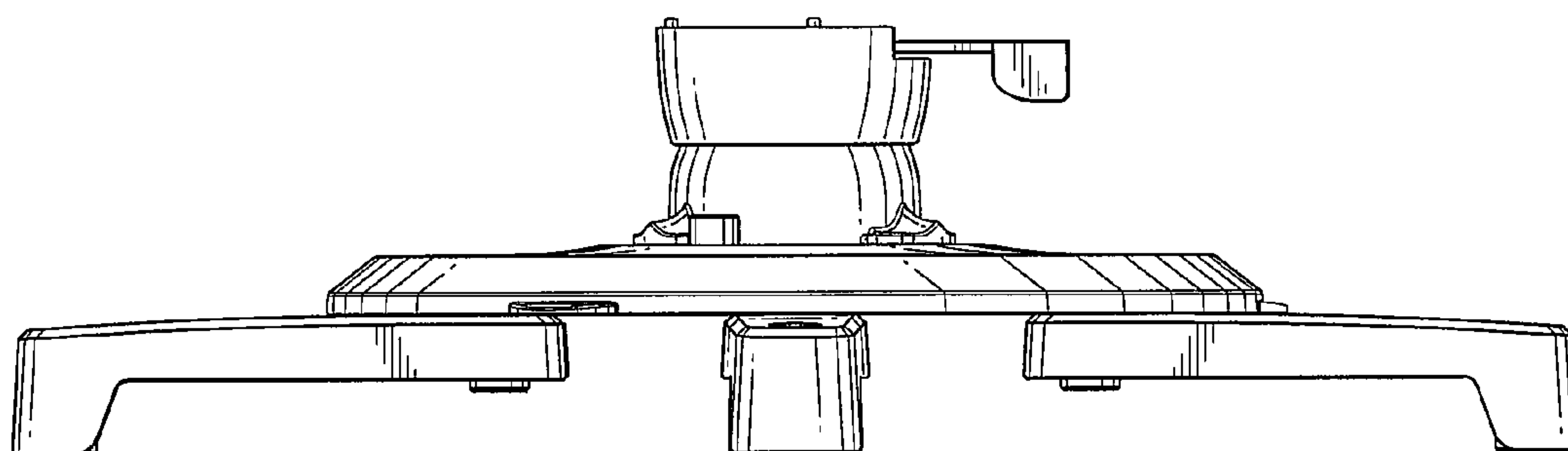


FIG. 3

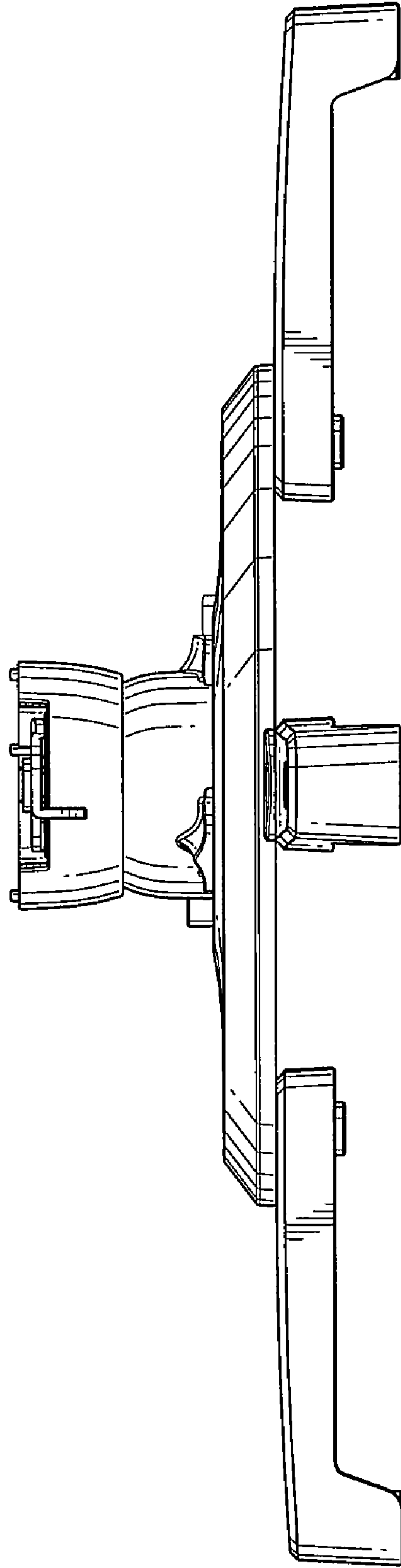


FIG. 4

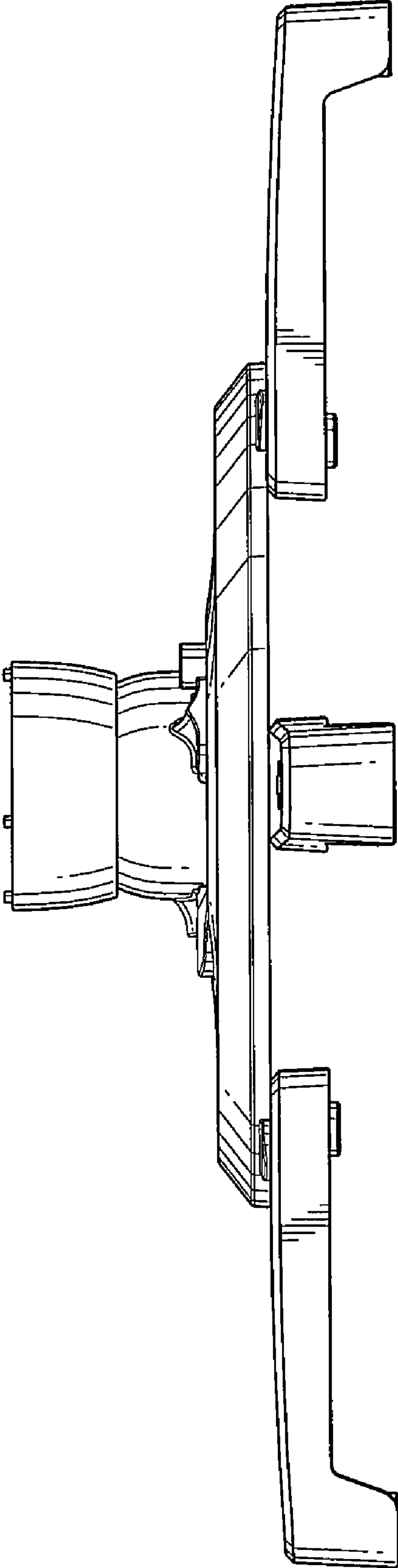


FIG. 5

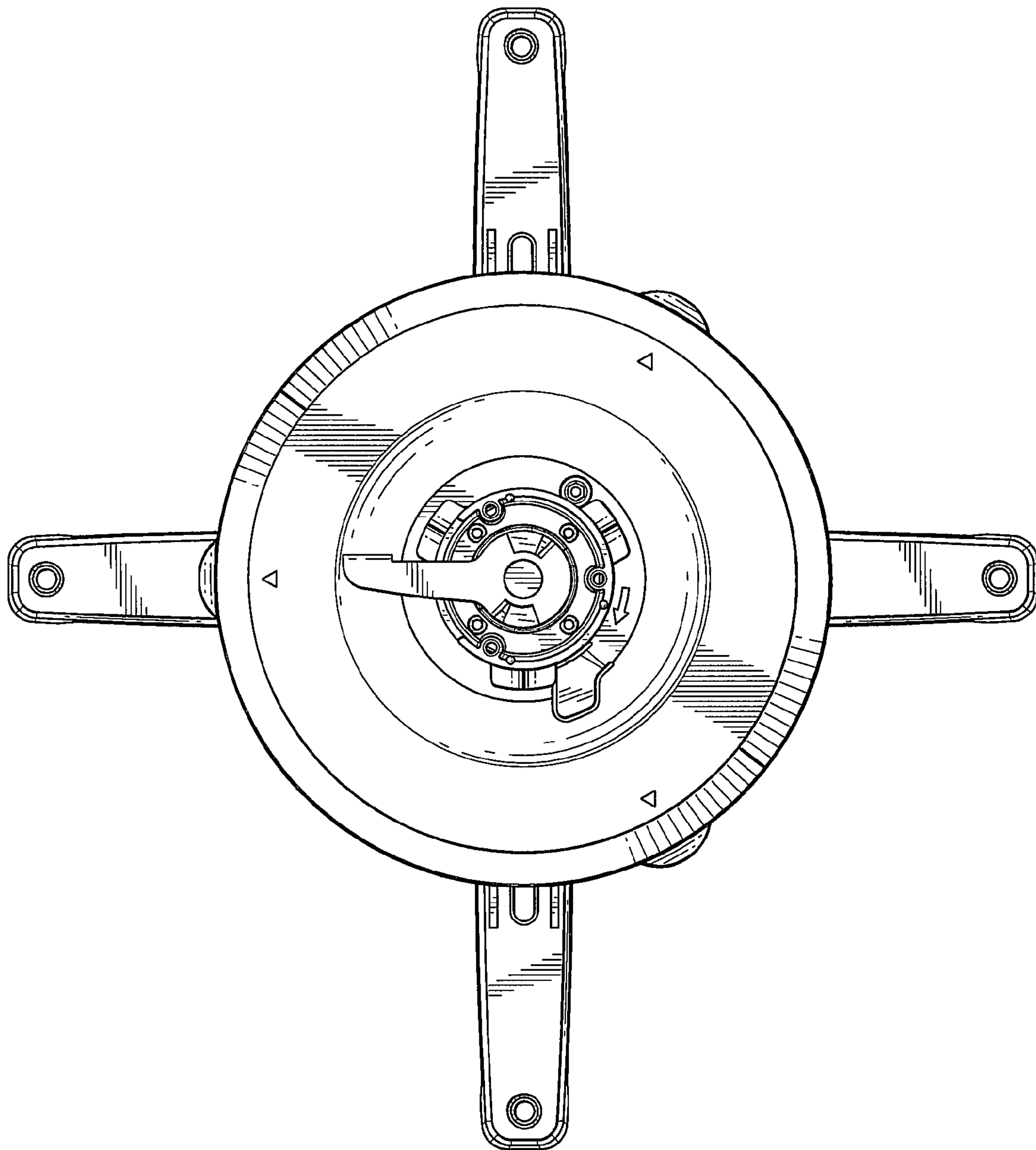


FIG. 6

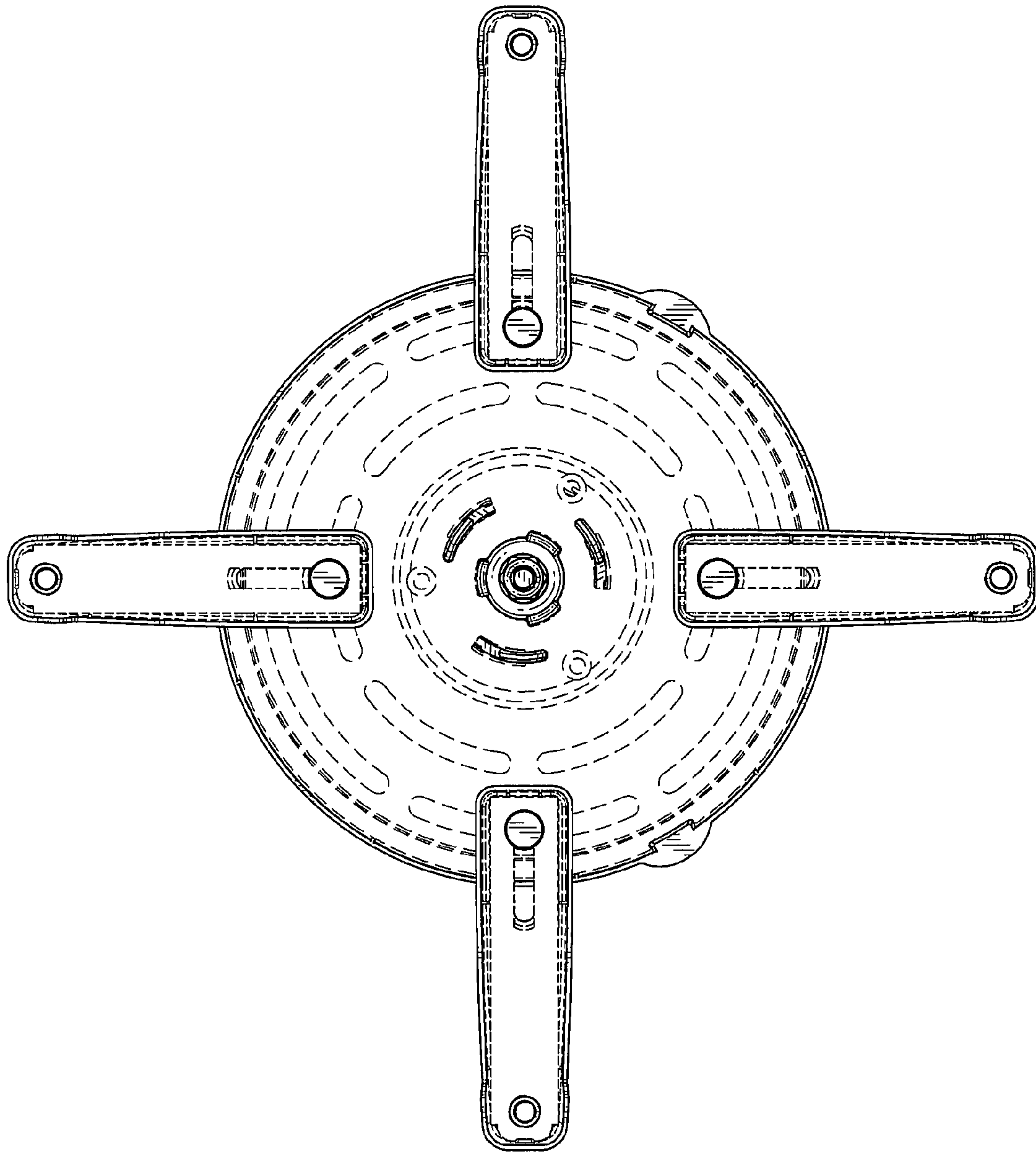


FIG. 7

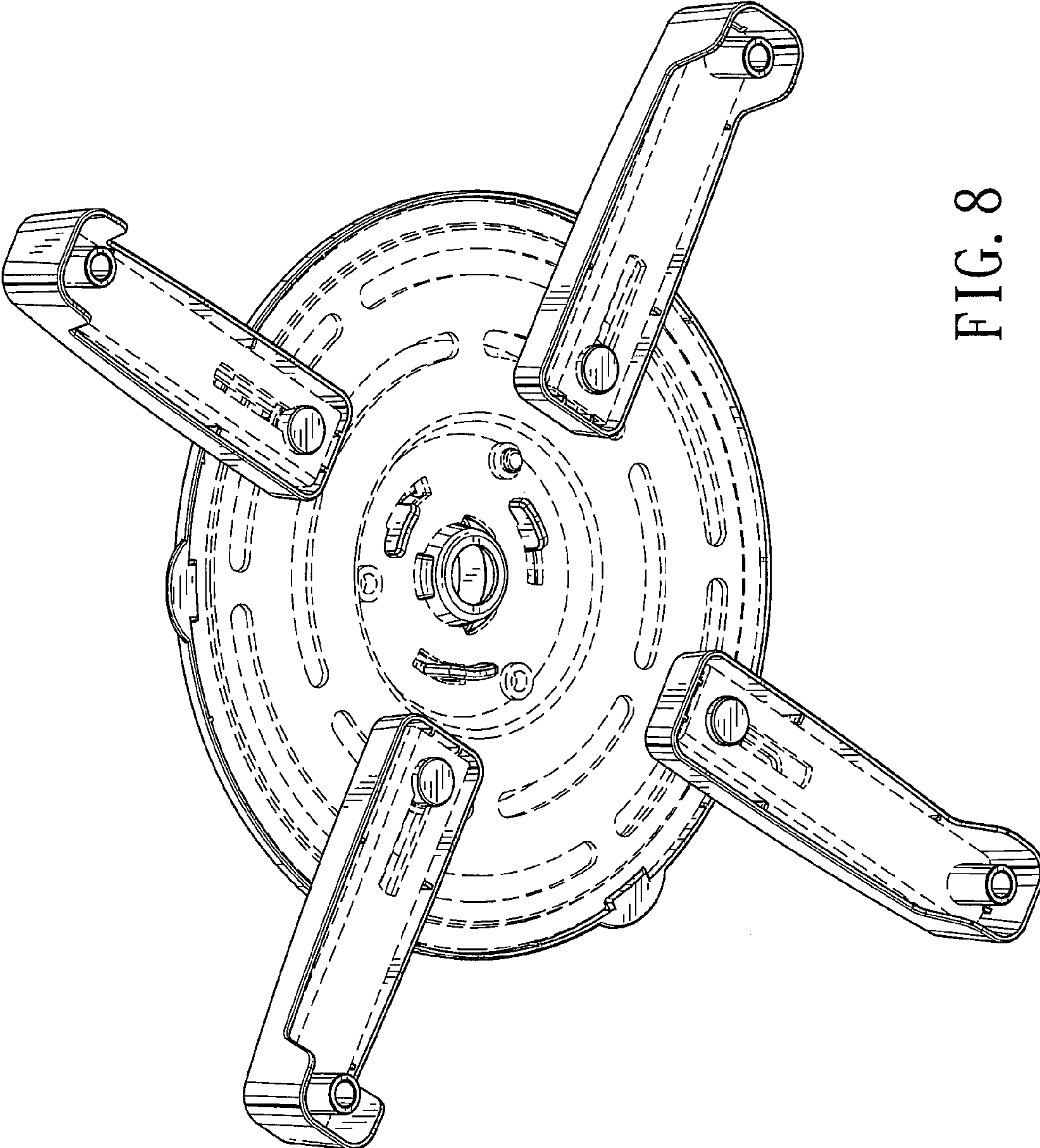


FIG. 8