



US00D633547S

(12) **United States Design Patent**
Yamaguchi et al.

(10) **Patent No.:** **US D633,547 S**
(45) **Date of Patent:** **** Mar. 1, 2011**

(54) **PROJECTOR**

(75) Inventors: **Toshiyuki Yamaguchi**, Tokyo (JP); **Akio Morita**, Tokyo (JP); **Kenichiro Matsushita**, Tokyo (JP)

(73) Assignee: **NEC Display Solutions, Ltd.**, Tokyo (JP)

(**) Term: **14 Years**

(21) Appl. No.: **29/364,577**

(22) Filed: **Jun. 25, 2010**

(30) **Foreign Application Priority Data**

Dec. 28, 2009 (JP) 2009-030638

(51) **LOC (9) Cl.** **16-02**

(52) **U.S. Cl.** **D16/235; D16/230**

(58) **Field of Classification Search** D16/200–205,
D16/208, 219, 221, 225, 229, 230–231, 234,
D16/235; D21/514; 352/34, 242; 353/115,
353/119, 122

See application file for complete search history.

(56) **References Cited**

U.S. PATENT DOCUMENTS

6,808,273 B2 * 10/2004 Morinaga 353/119
D497,929 S * 11/2004 Ohki et al. D16/230
D498,491 S * 11/2004 Ohki et al. D16/235
D545,342 S * 6/2007 Sakamaki et al. D16/235
D548,264 S * 8/2007 Sakamaki et al. D16/230
7,264,362 B2 * 9/2007 Clark et al. 353/119
D564,566 S * 3/2008 Naruki D16/230

D595,329 S * 6/2009 Sakamaki et al. D16/235
D608,814 S * 1/2010 Nagase D16/230
7,677,739 B2 * 3/2010 Kuroda 353/119

* cited by examiner

Primary Examiner—Ian Simmons

Assistant Examiner—Wan Laymon

(74) *Attorney, Agent, or Firm*—Sughrue Mion, PLLC

(57) **CLAIM**

The ornamental design for a projector, as shown and described.

DESCRIPTION

FIG. 1 is a front, left side, top perspective view of a projector showing our new design;

FIG. 2 is a front elevational view thereof;

FIG. 3 is a rear elevational view thereof;

FIG. 4 is a left side view thereof;

FIG. 5 is a right side view thereof;

FIG. 6 is a top plan view thereof;

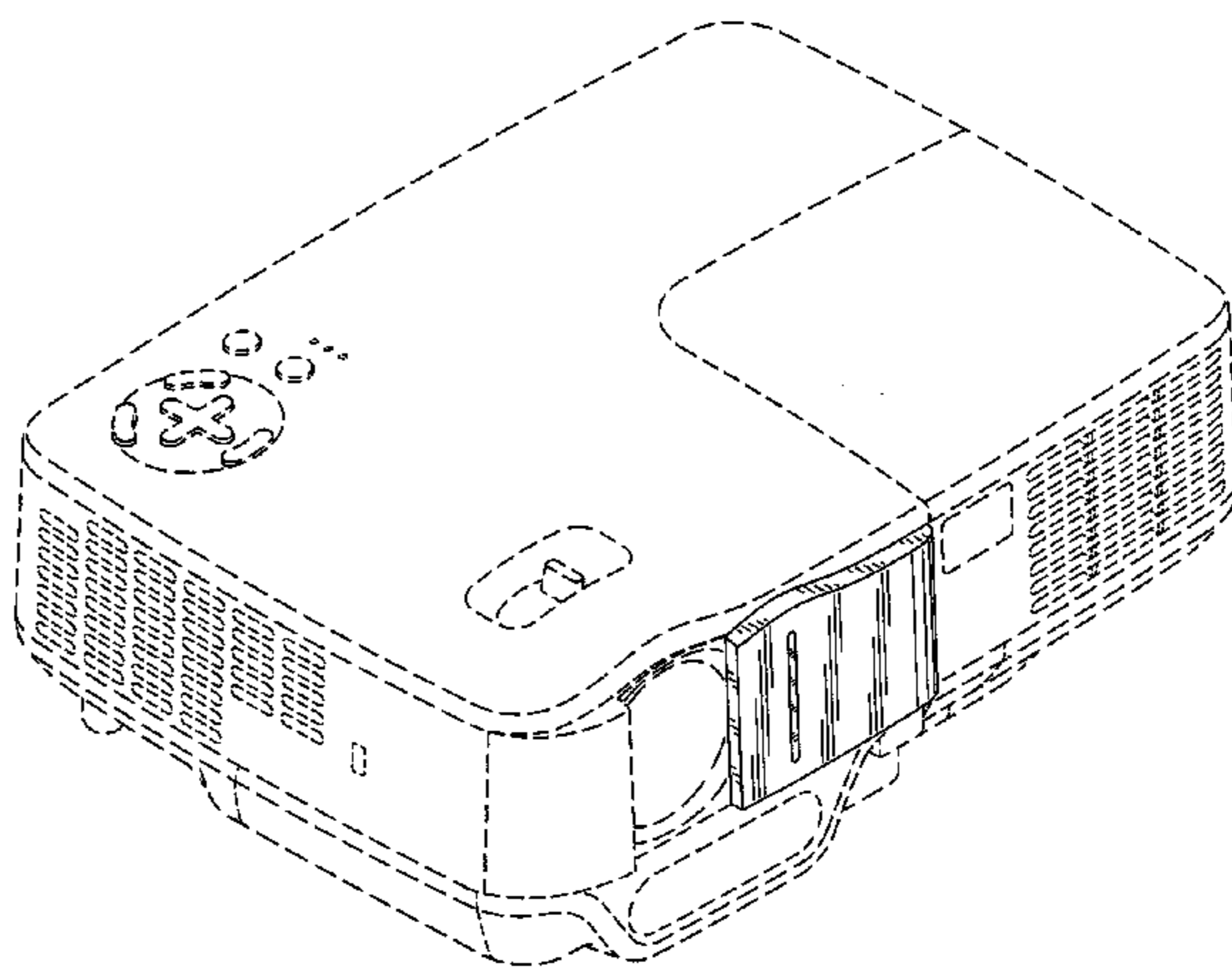
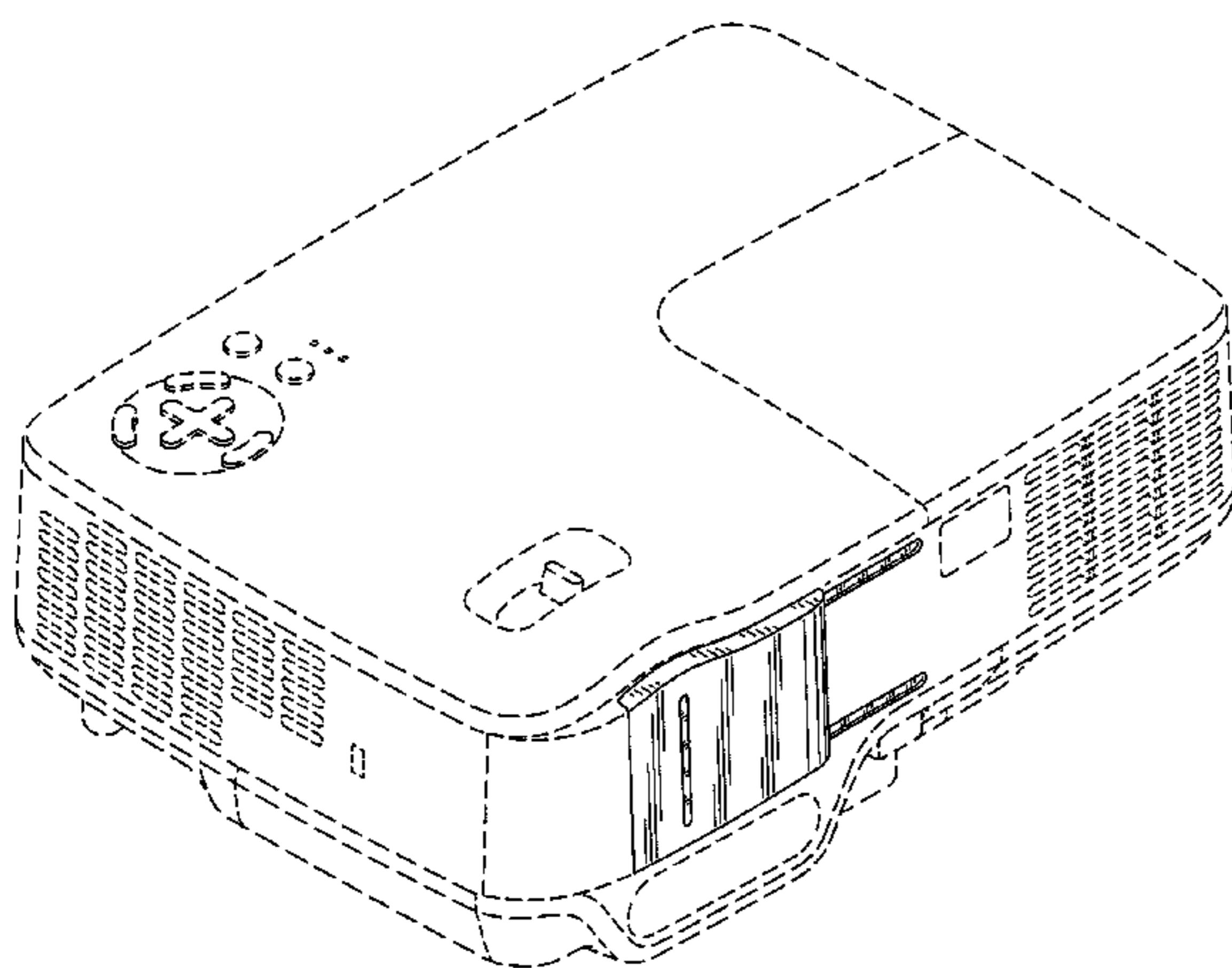
FIG. 7 is a bottom plan view thereof;

FIG. 8 is a perspective view thereof, showing a state in which a lens cover is opened; and,

FIG. 9 is a front elevational view thereof, showing a state in which a lens cover is opened.

The portions of the projector in broken lines are shown for illustrative purposes only and form no part of the claimed design.

1 Claim, 7 Drawing Sheets



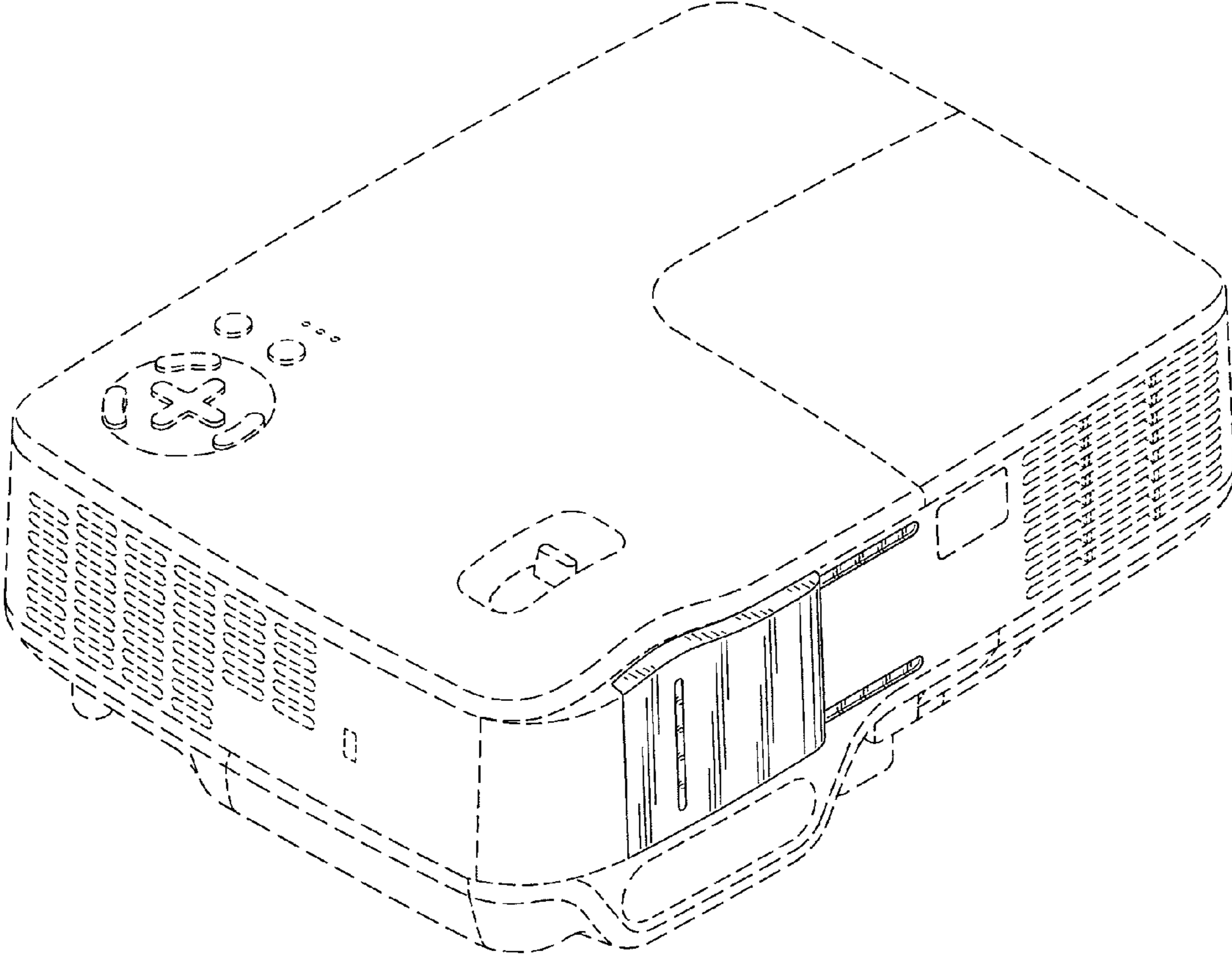


FIG. 1

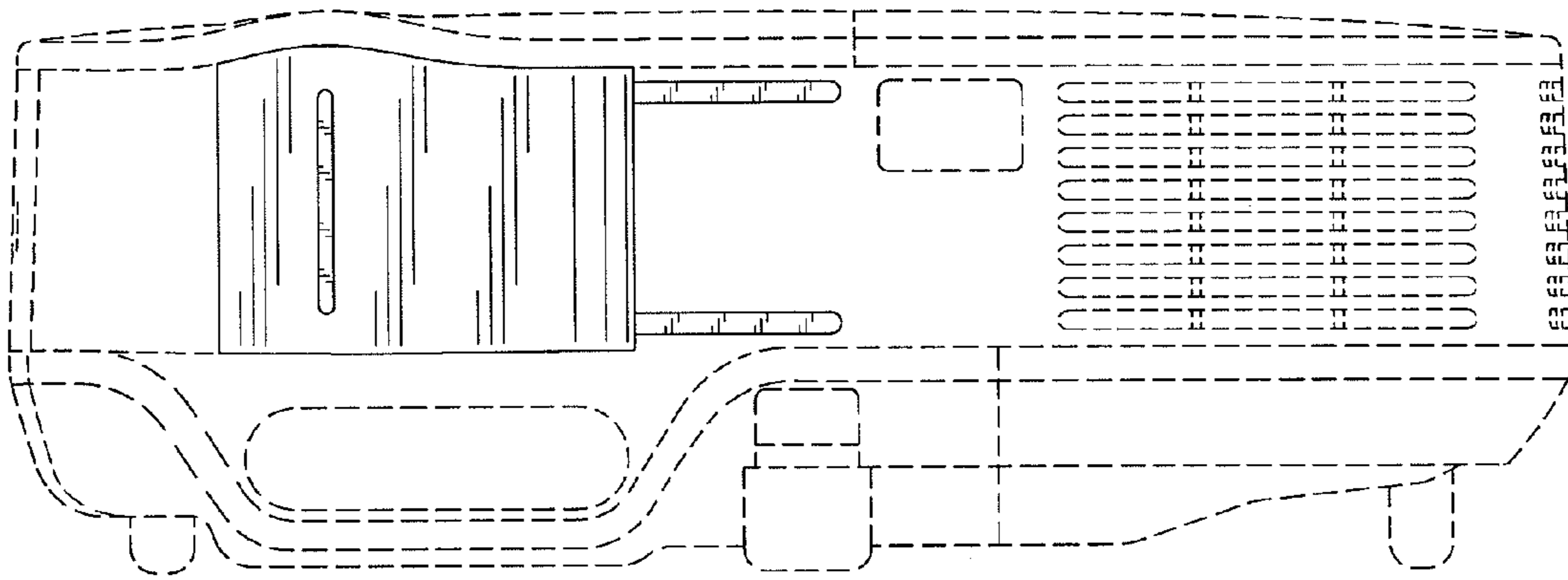


FIG. 2

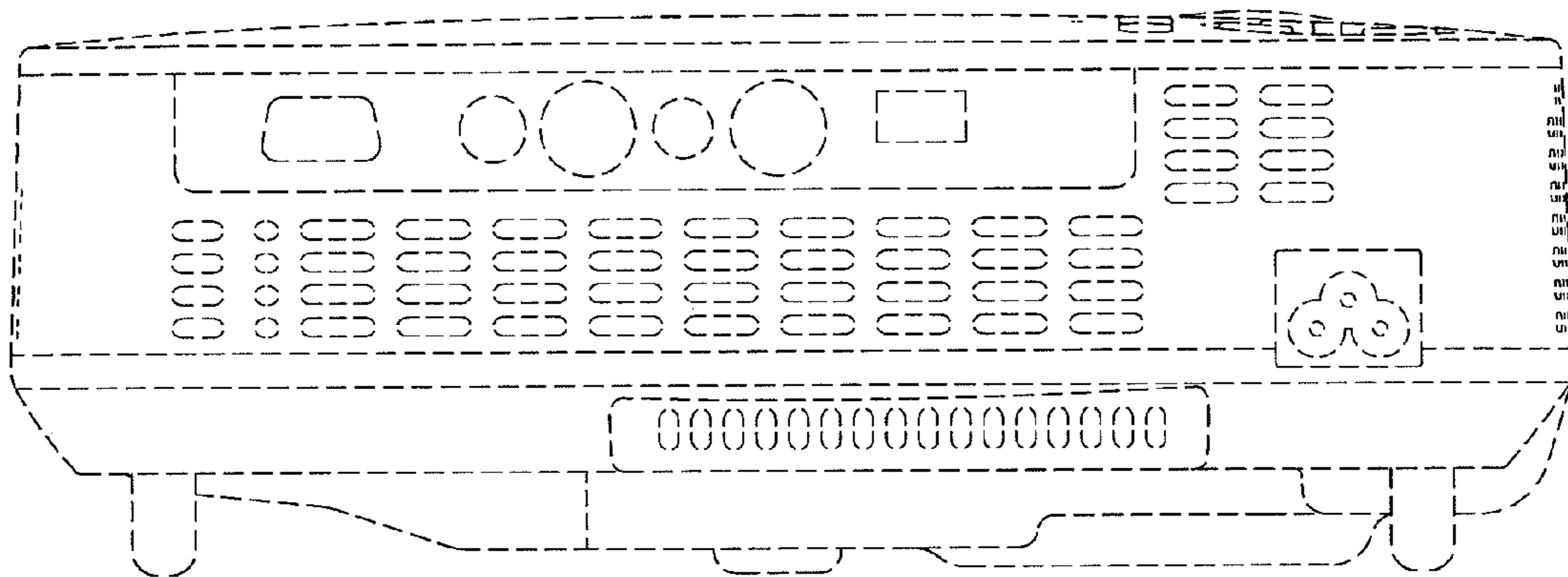


FIG. 3

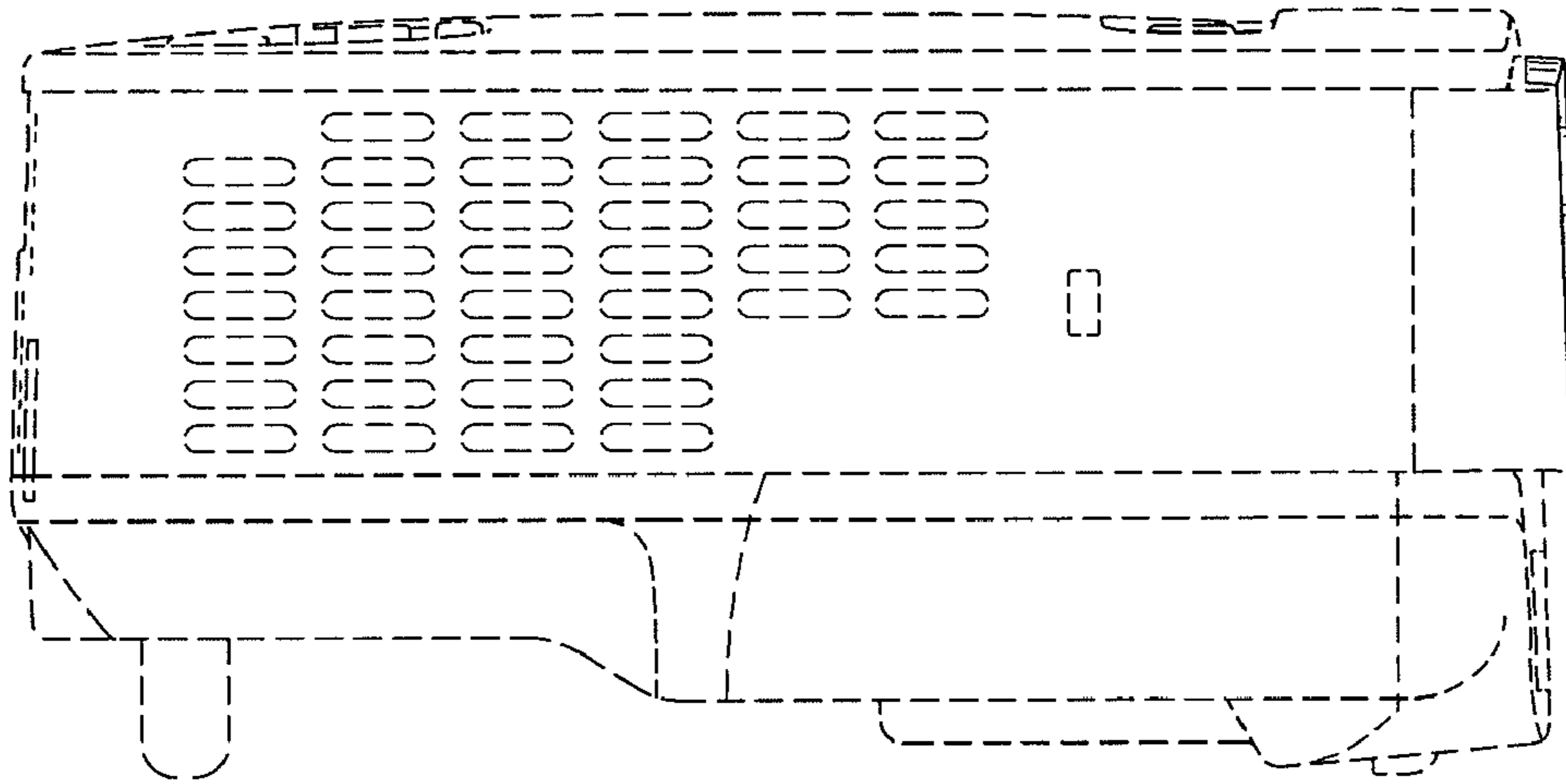


FIG. 4

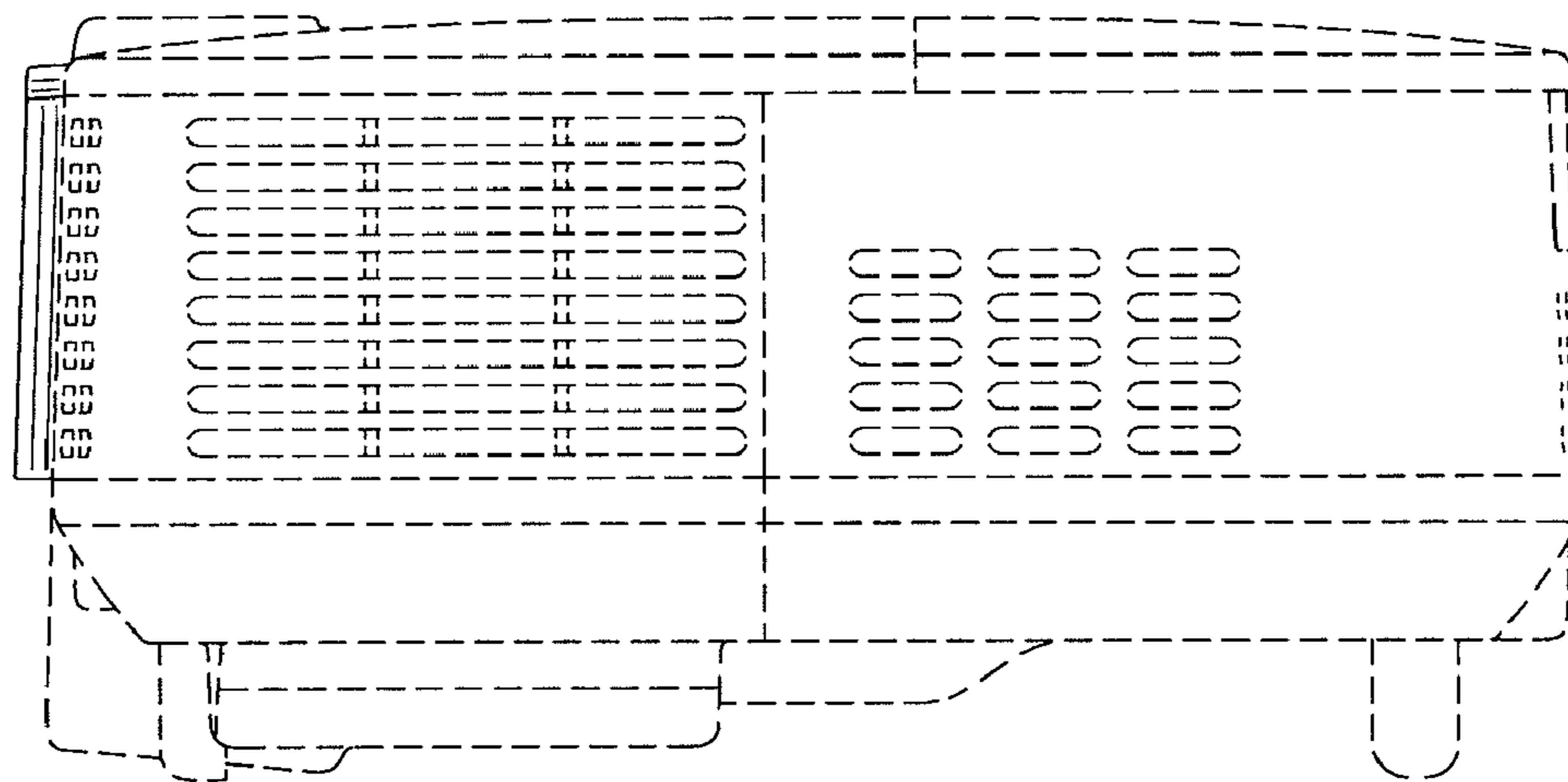


FIG. 5

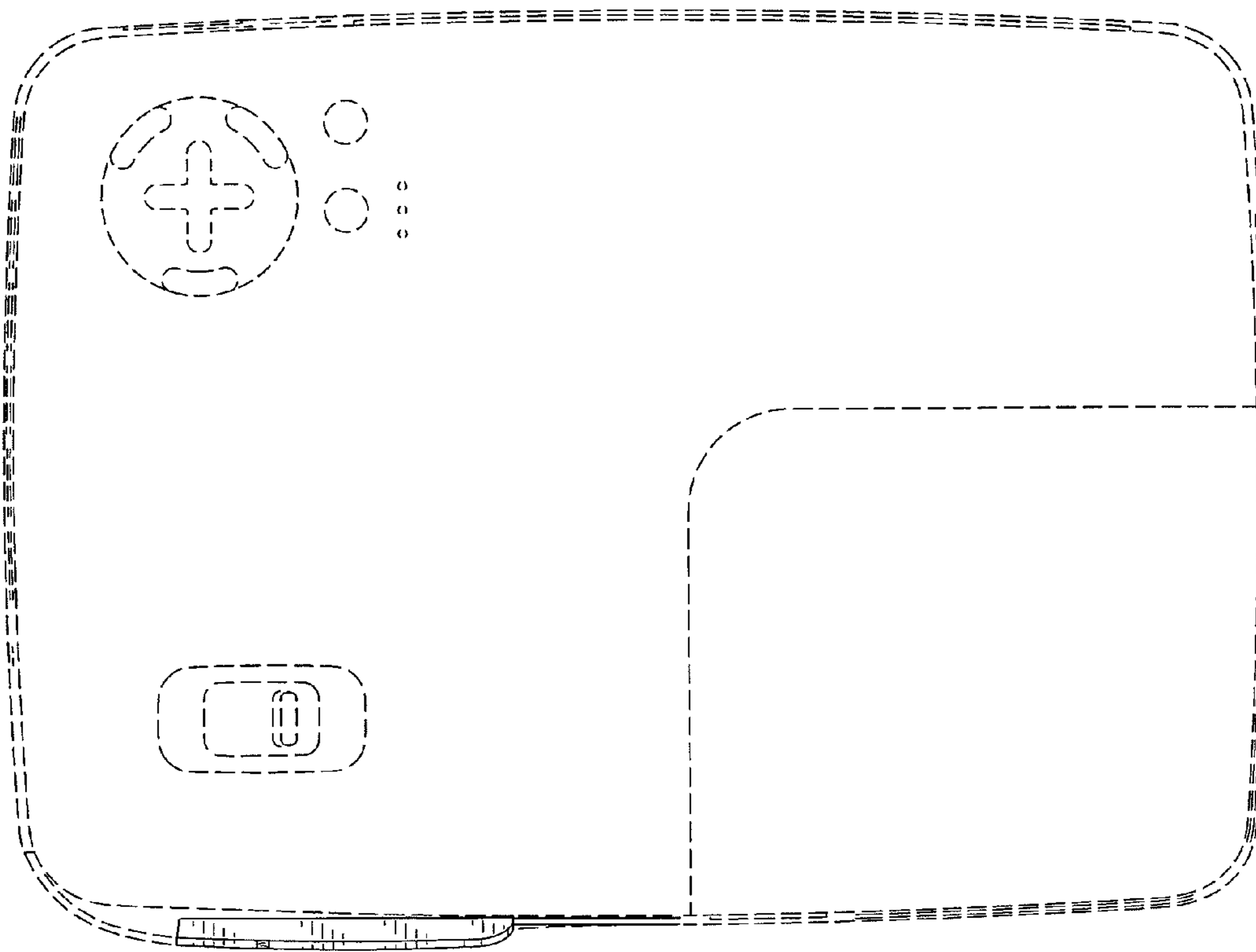


FIG. 6

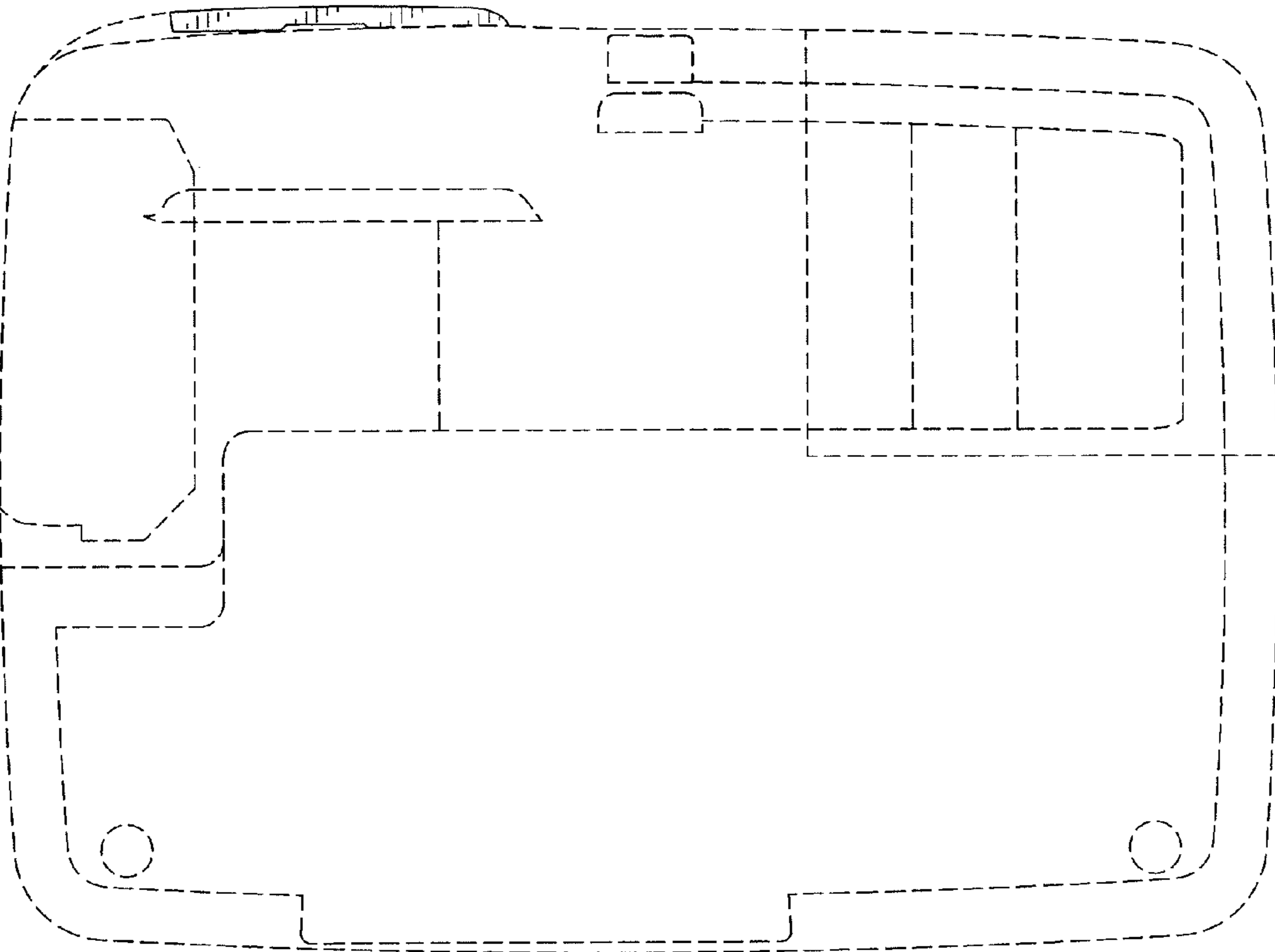


FIG. 7

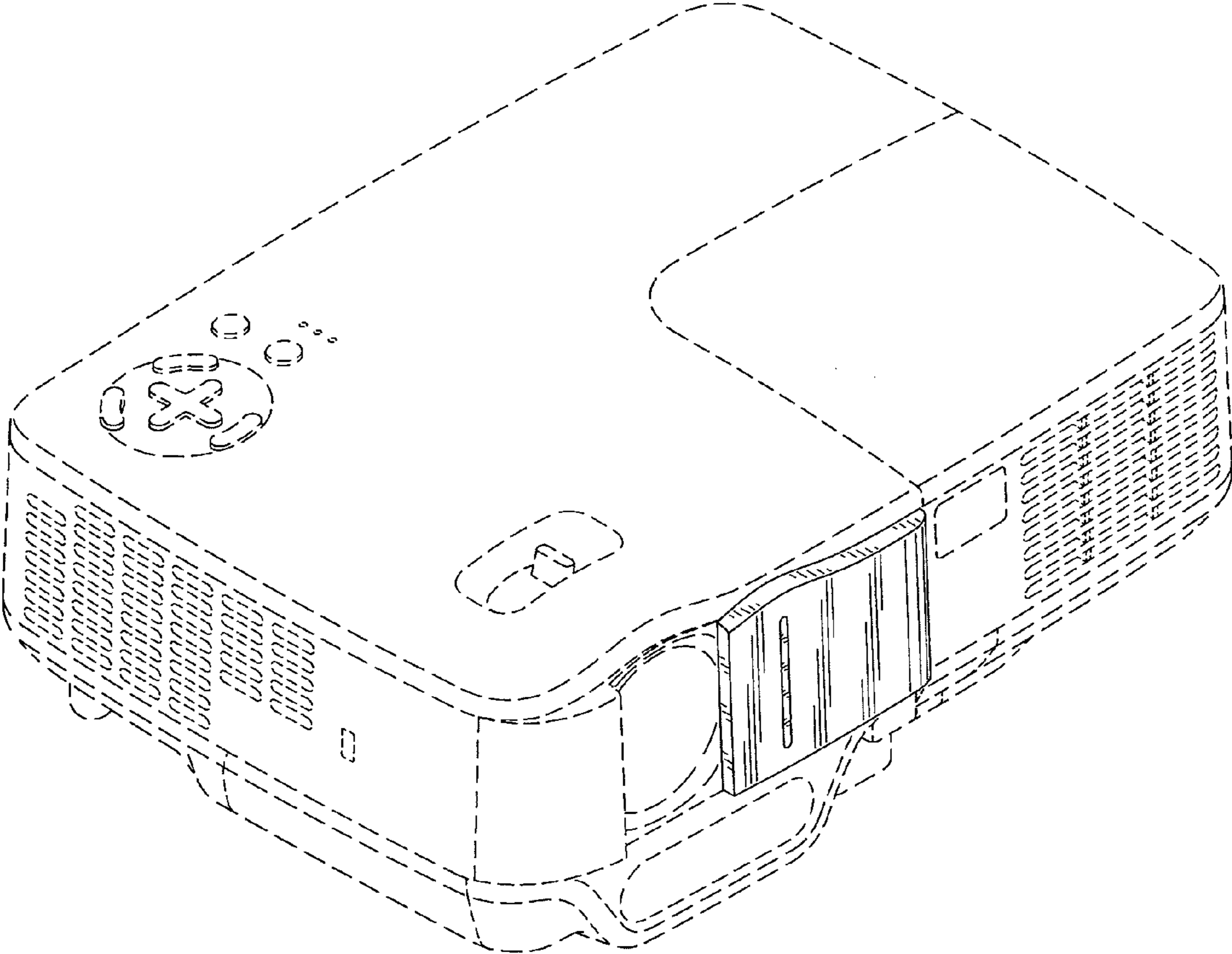


FIG. 8

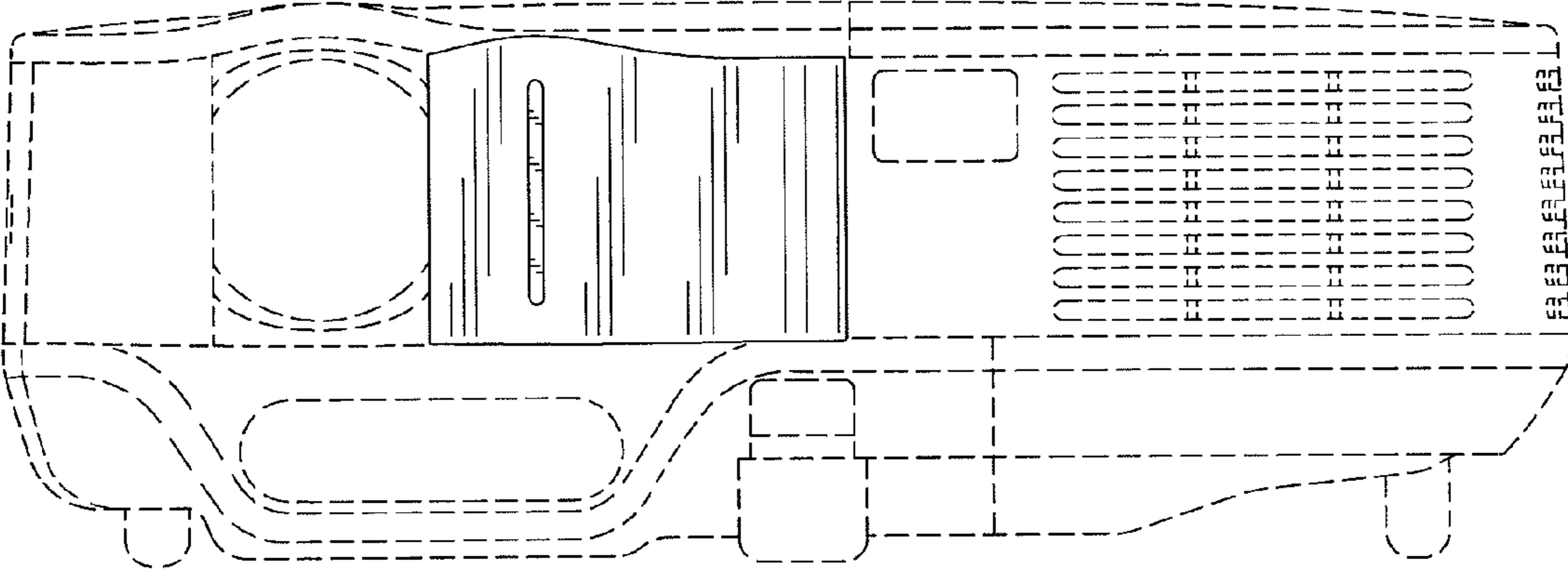


FIG. 9