



US00D633546S

(12) **United States Design Patent**
Fletcher

(10) **Patent No.:** **US D633,546 S**
(45) **Date of Patent:** **** Mar. 1, 2011**

(54) **PROJECTOR**

(75) Inventor: **Mark Andrew Fletcher**, Napean (CA)

(73) Assignee: **SMART Technologies ULC**, Calgary, Alberta (CA)

(**) Term: **14 Years**

(21) Appl. No.: **29/360,802**

(22) Filed: **Apr. 30, 2010**

(30) **Foreign Application Priority Data**

Oct. 30, 2009 (KR) 30-2009-0047884

(51) **LOC (9) Cl.** **16-02**

(52) **U.S. Cl.** **D16/229; D16/225**

(58) **Field of Classification Search** D16/202,
D16/203, 208, 221, 225, 229, 230-231, 234,
D16/205; D21/514; D18/50, 53, 36; D34/6-7,
D34/11; 353/98, 115, 119, 122

See application file for complete search history.

(56) **References Cited**

U.S. PATENT DOCUMENTS

3,187,442	A *	6/1965	Hertsche	D16/225
D257,776	S *	1/1981	Sato et al.	D16/229
D266,430	S *	10/1982	Schlagheck	D16/225
D268,589	S *	4/1983	Miller et al.	D16/229
D304,952	S *	12/1989	Fukuda et al.	D16/225
D360,426	S *	7/1995	Maiefski et al.	D16/225
D367,489	S *	2/1996	Katayama	D16/229
D390,246	S *	2/1998	Cienfuegos-Jovellanos	D16/225

7,290,897	B2 *	11/2007	Schmidt	353/119
D575,329	S *	8/2008	Burch Gonzalez et al.	...	D18/53
7,754,982	B2 *	7/2010	Zhou et al.	353/119
2009/0122274	A1 *	5/2009	Saito	353/119

* cited by examiner

Primary Examiner—Ian Simmons

Assistant Examiner—Wan Laymon

(74) *Attorney, Agent, or Firm*—Katten Muchin Rosenman LLP

(57) **CLAIM**

The ornamental design for a projector, as shown and described.

DESCRIPTION

FIG. 1 is a front and right side perspective view of the projector showing my new design;

FIG. 2 is a front and left side perspective view of the projector of FIG. 1;

FIG. 3 is a front view of the projector of FIG. 1;

FIG. 4 is a top plan view of the projector of FIG. 1;

FIG. 5 is a right side elevational view of the projector of FIG. 1;

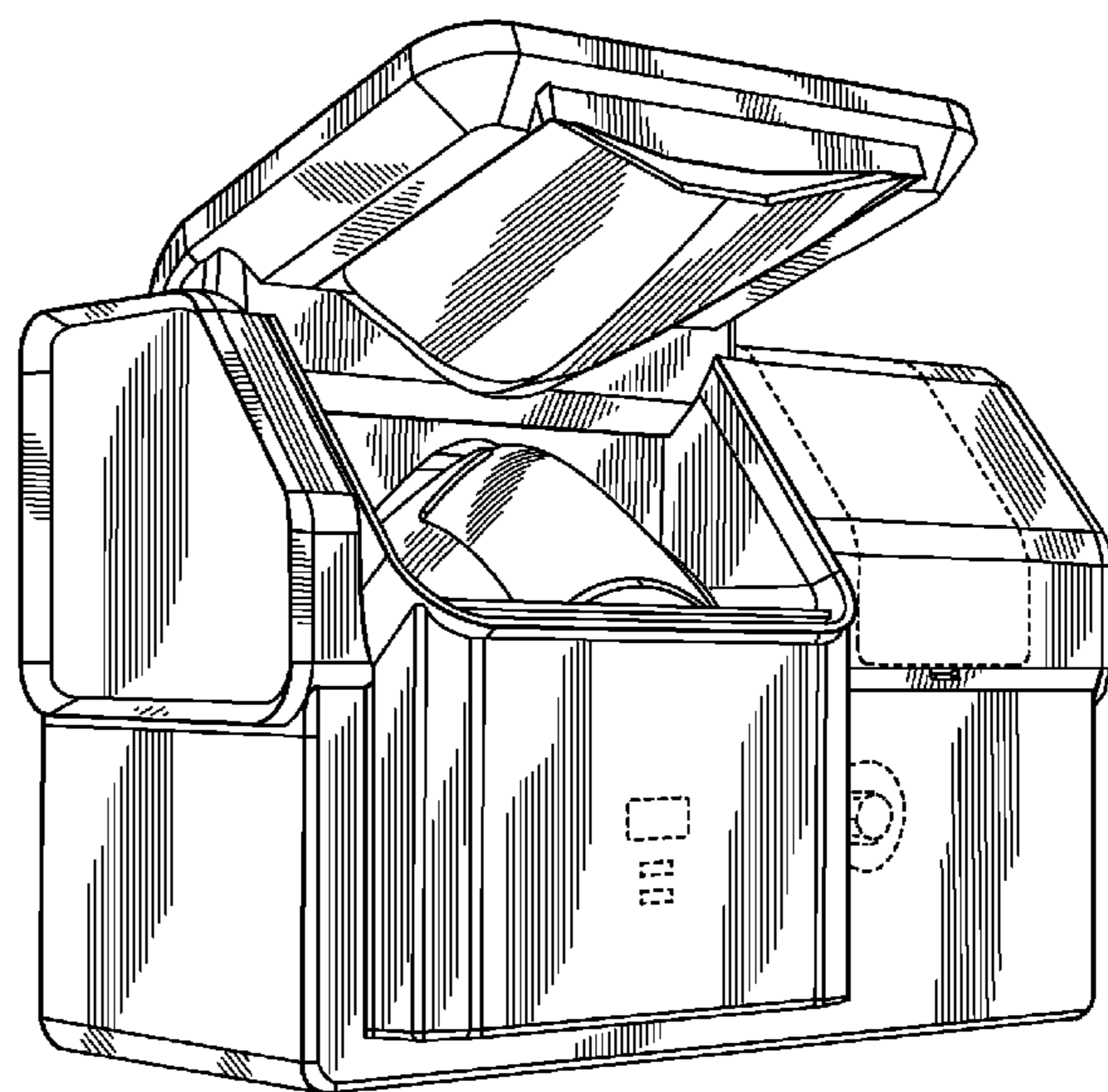
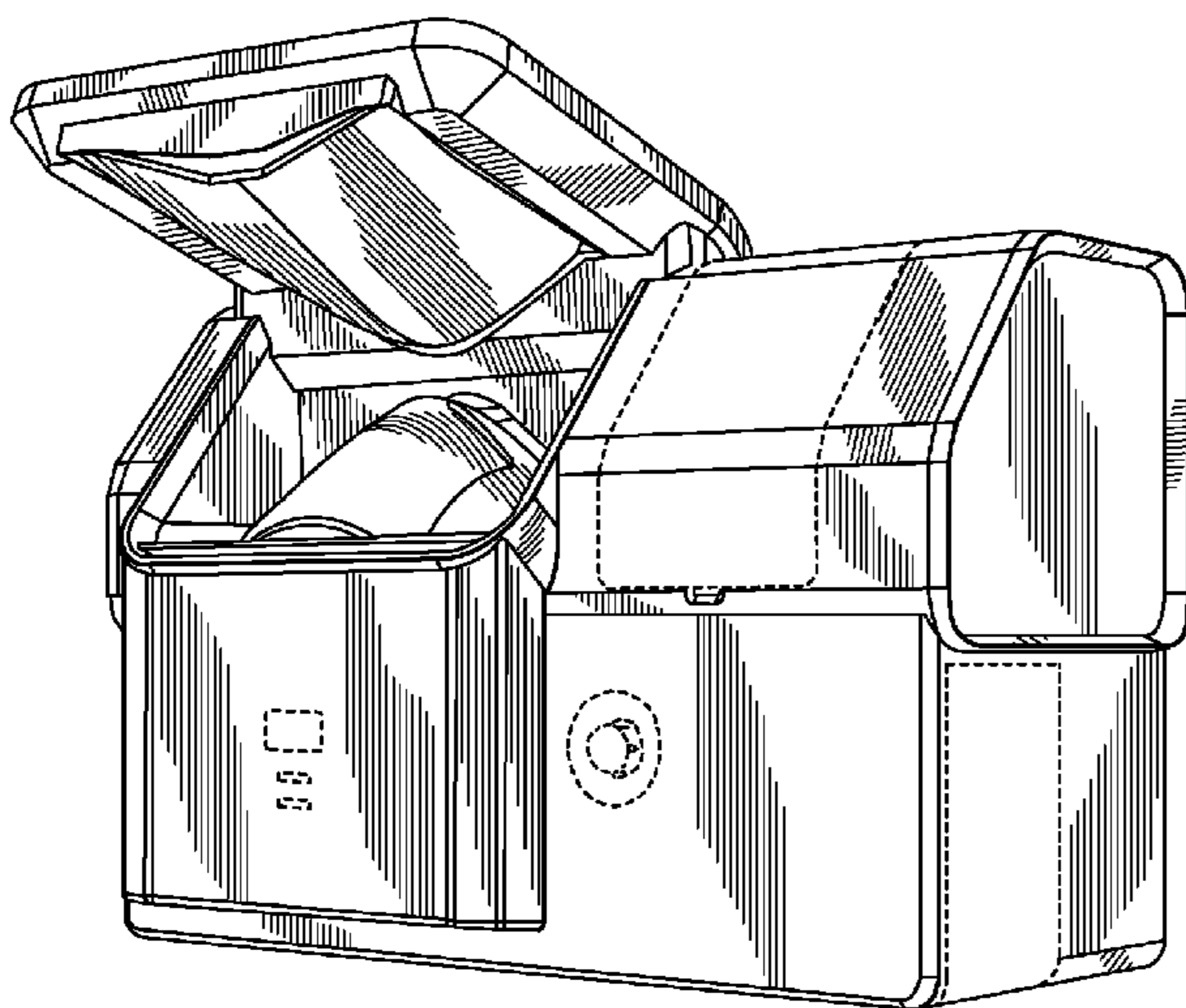
FIG. 6 is a left side elevational view of the projector of FIG. 1;

FIG. 7 is a rear view of the projector of FIG. 1; and,

FIG. 8 is a bottom plan view of the projector of FIG. 1.

The broken lines are provided for illustrative purposes only and form no part of the claimed design.

1 Claim, 5 Drawing Sheets



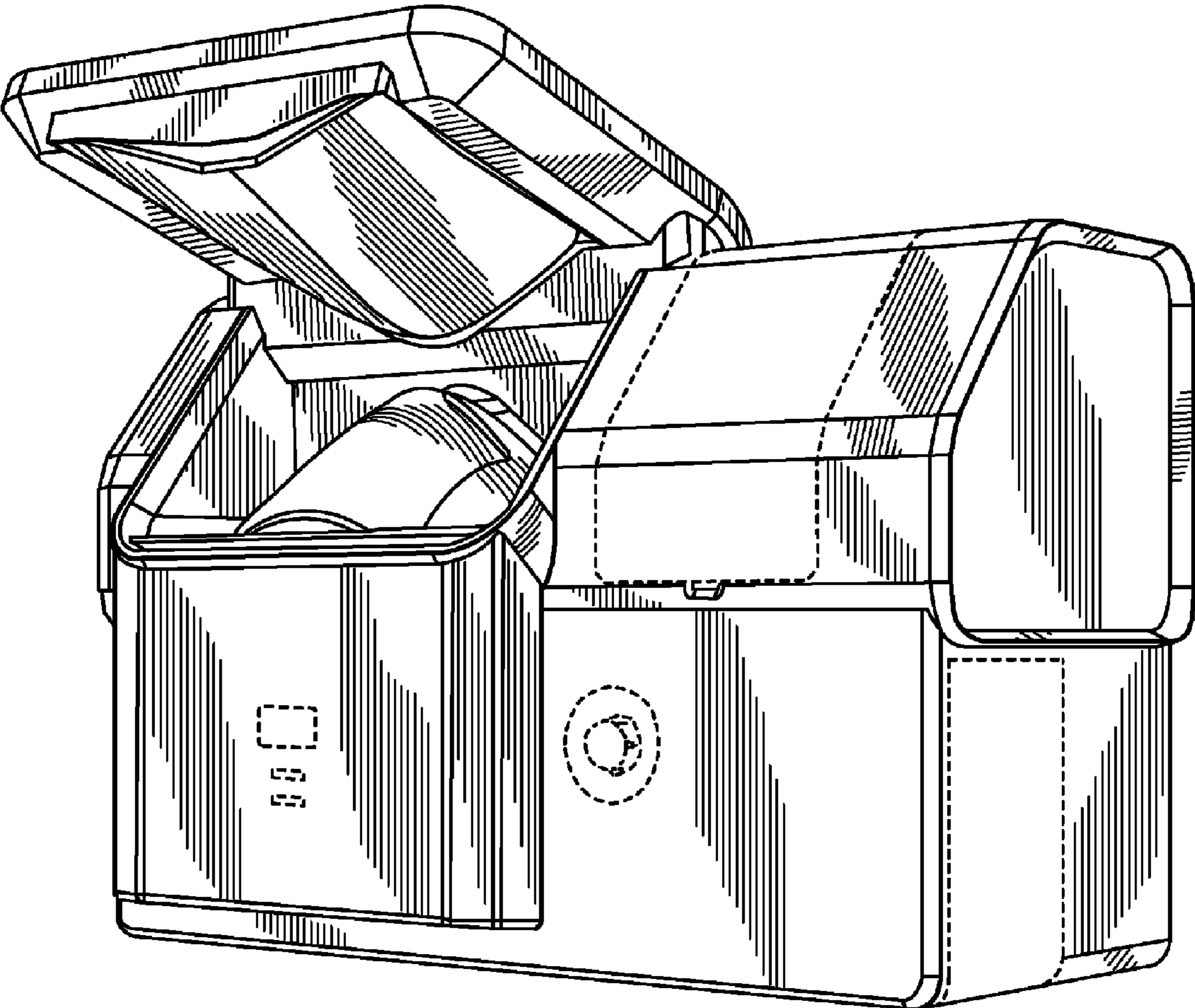


FIG. 1

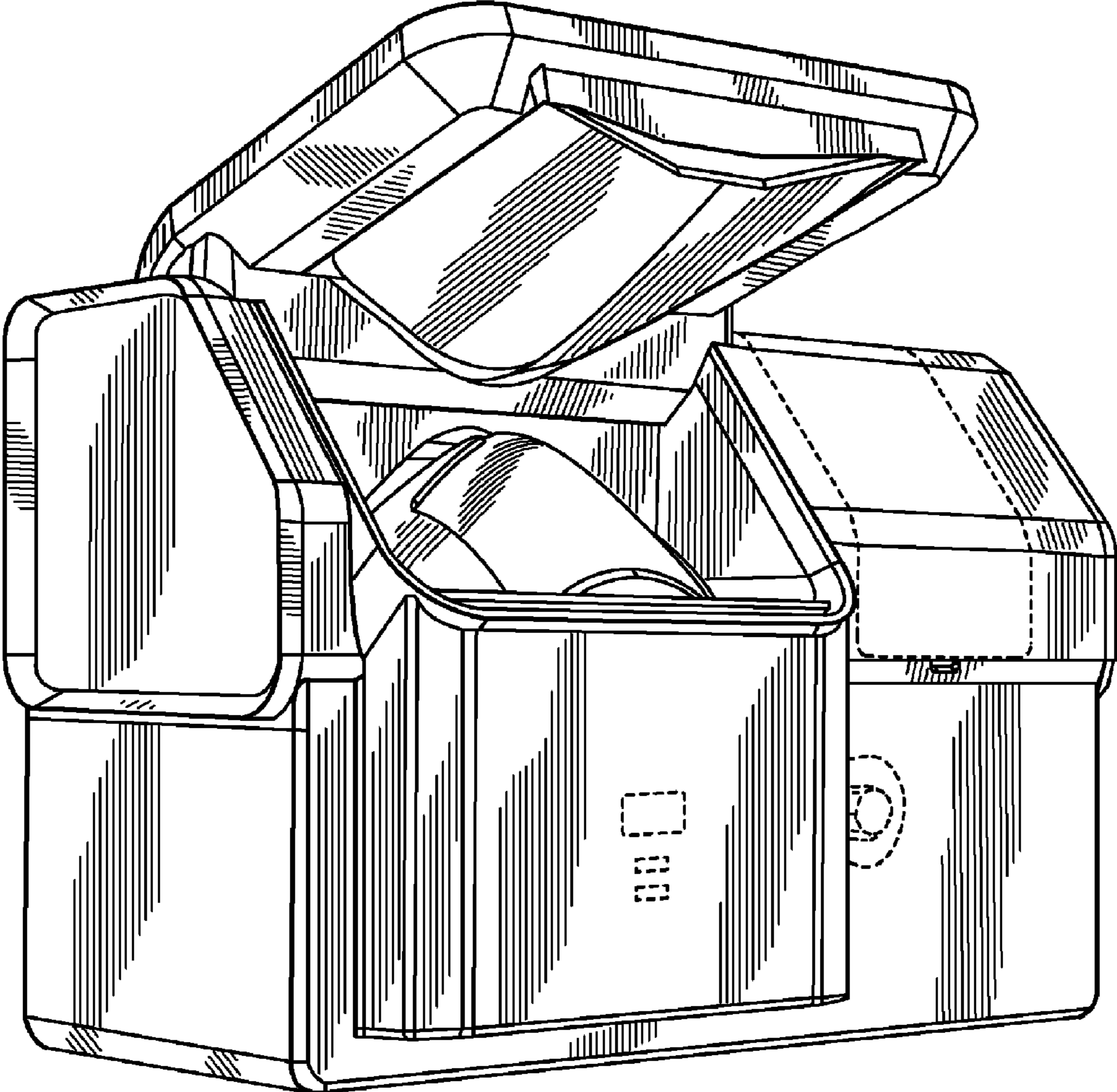


FIG. 2

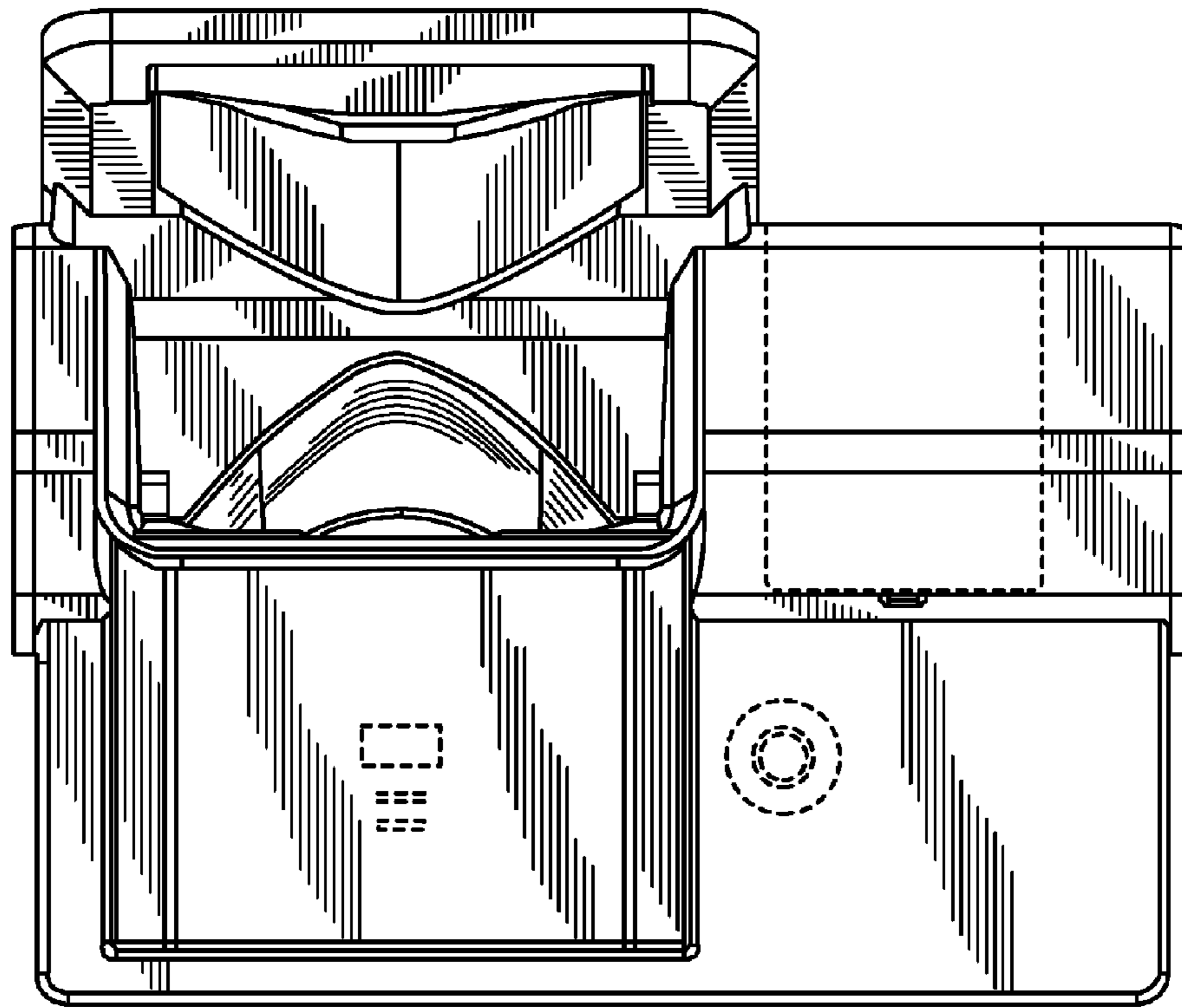


FIG. 3

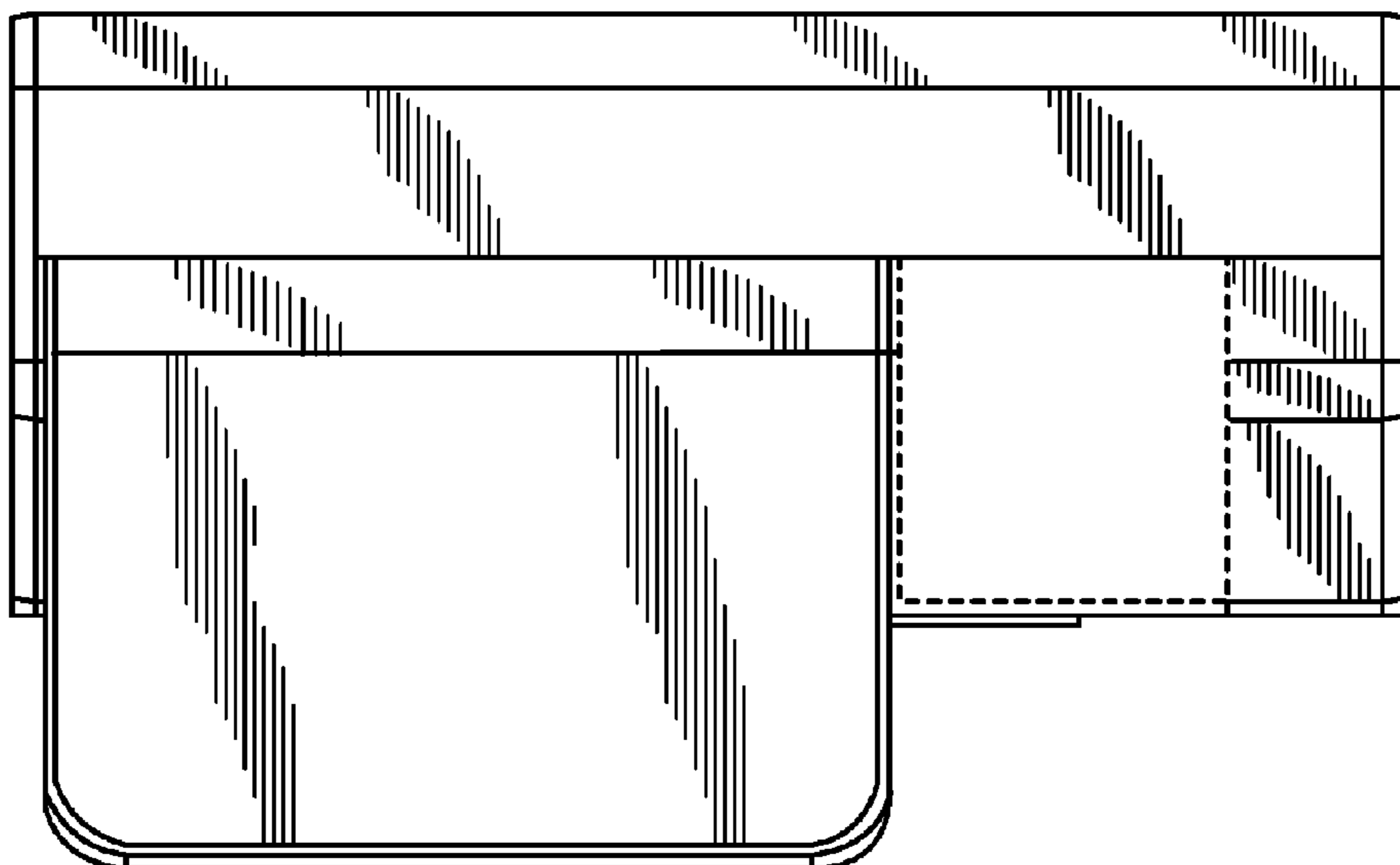


FIG. 4

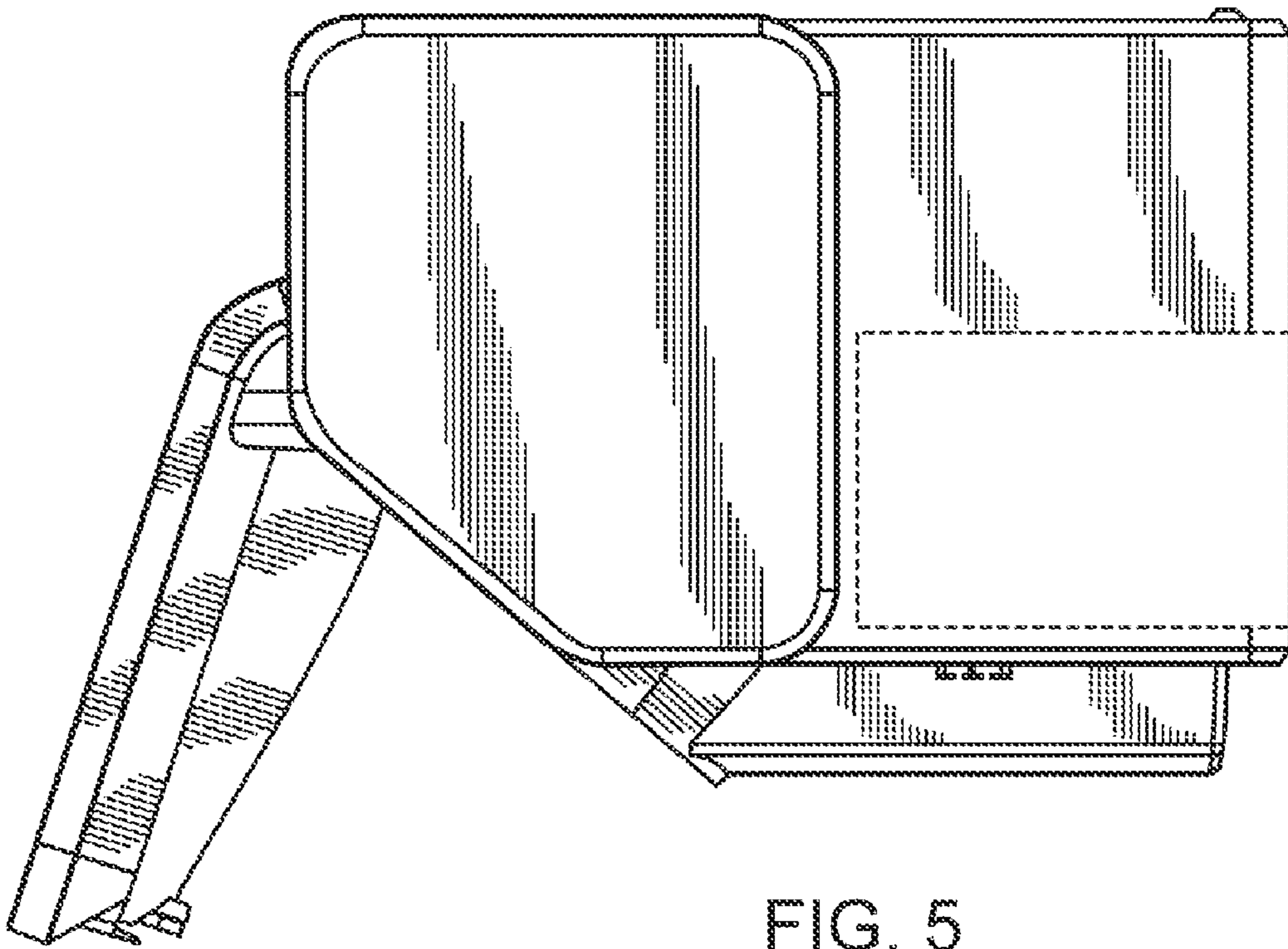


FIG. 5

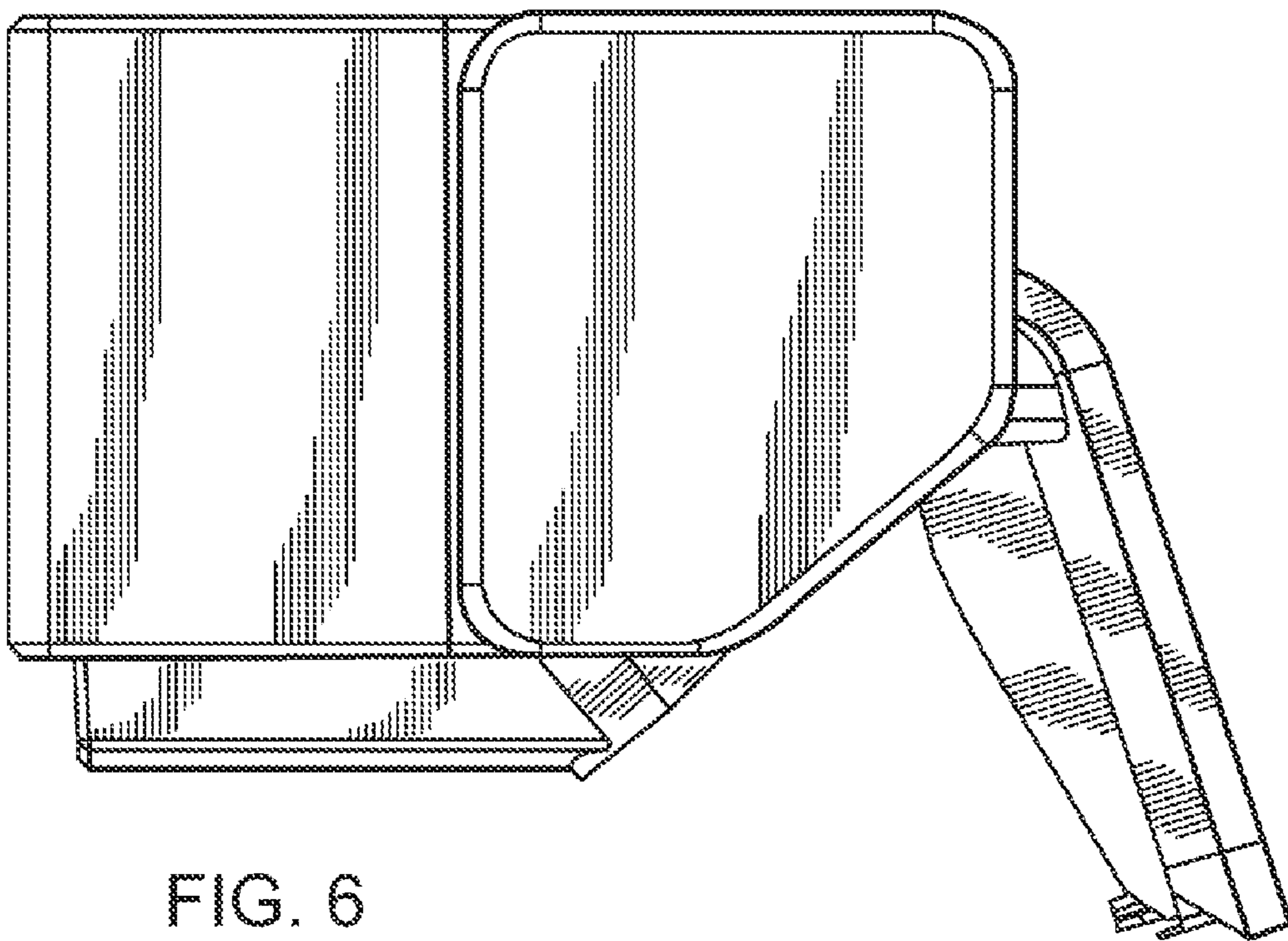


FIG. 6

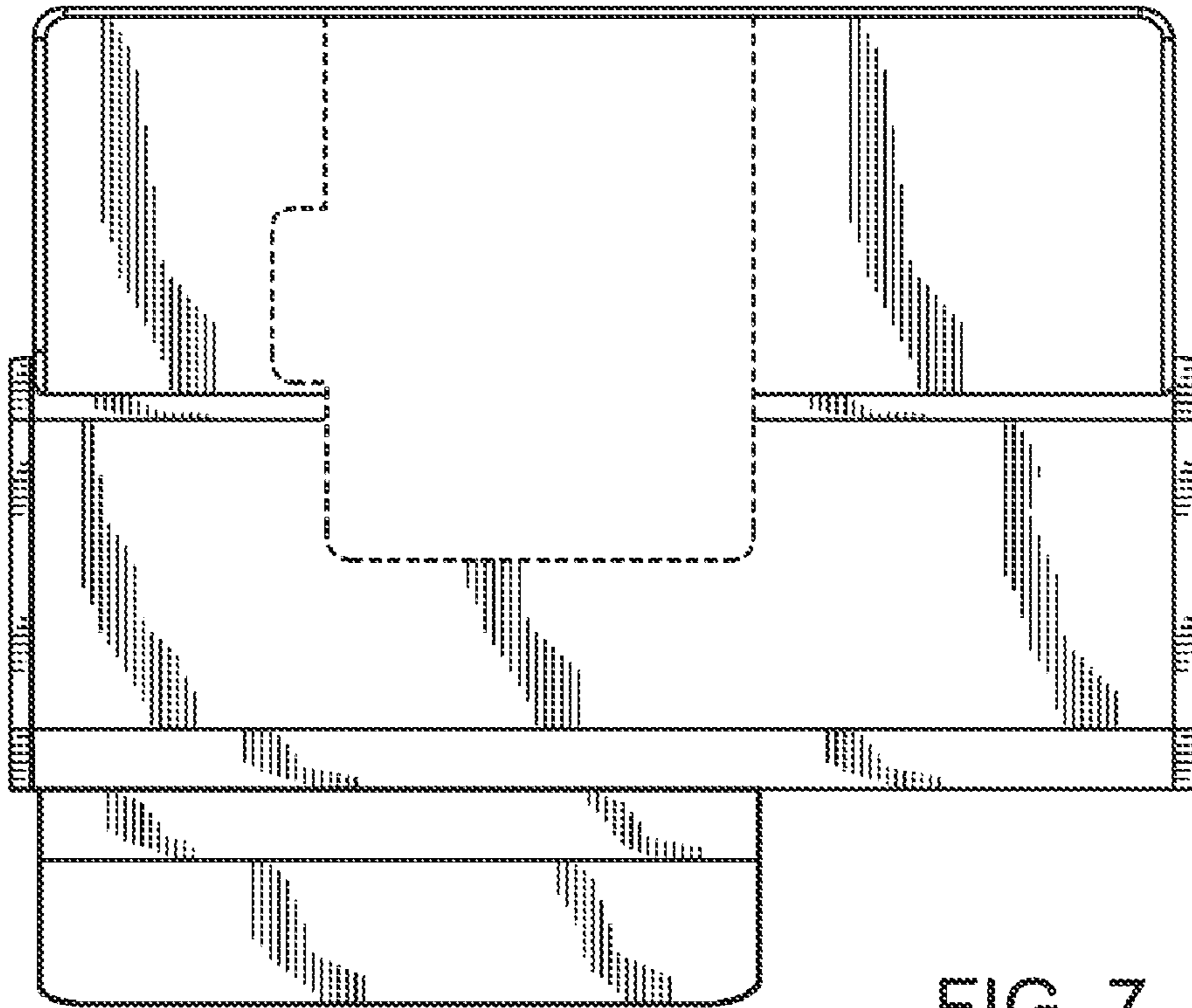


FIG. 7

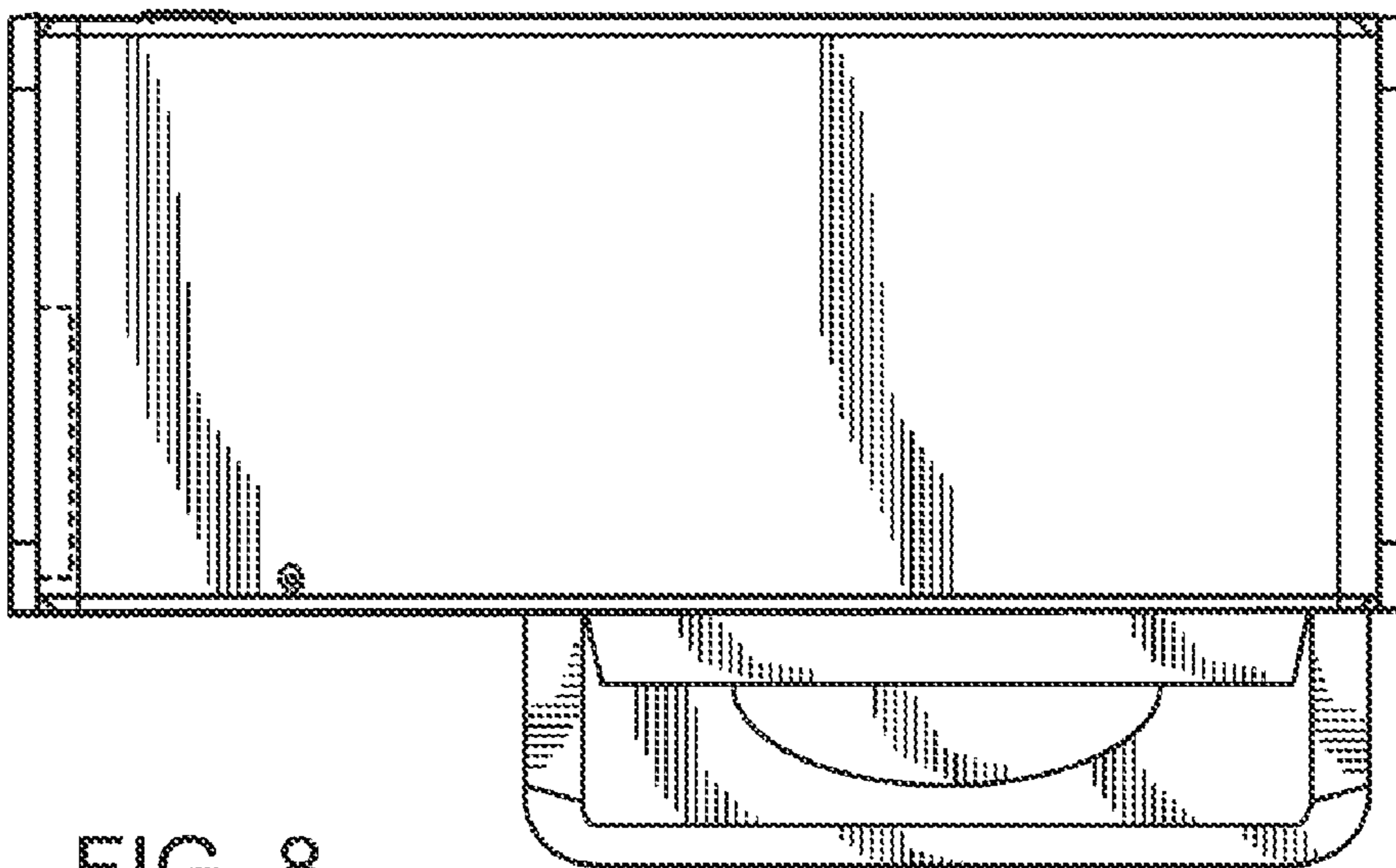


FIG. 8