



US00D633545S

(12) **United States Design Patent**
Tajima

(10) **Patent No.:** **US D633,545 S**
(45) **Date of Patent:** **** Mar. 1, 2011**

(54) **PORTION OF A DIGITAL CAMERA**

(75) Inventor: **Kenji Tajima**, Hachioji (JP)

(73) Assignee: **Olympus Imaging Corp.**, Tokyo (JP)

(**) Term: **14 Years**

(21) Appl. No.: **29/366,445**

(22) Filed: **Jul. 26, 2010**

(51) **LOC (9) Cl.** **16-05**

(52) **U.S. Cl.** **D16/219**

(58) **Field of Classification Search** D16/200–204,
D16/208, 218, 219; 348/373–376; 358/909.1;
396/535–541

See application file for complete search history.

(56) **References Cited**

U.S. PATENT DOCUMENTS

D487,766 S *	3/2004	Tanaka	D16/219
D540,365 S *	4/2007	Sakai	D16/202
D550,746 S *	9/2007	Inaba	D16/219
D561,228 S *	2/2008	Imai	D16/219
D561,229 S *	2/2008	Sato	D16/219
D566,156 S *	4/2008	Tainaka	D16/202
D573,624 S *	7/2008	Yoshida	D16/219
D586,838 S *	2/2009	Tainaka	D16/219
D596,215 S *	7/2009	Tainaka	D16/219

OTHER PUBLICATIONS

U.S. Appl. No. 29/366,442; First Named Inventor: Kenji Tajima;
Title: "Digital Camera"; filed Jul. 26, 2010.

* cited by examiner

Primary Examiner—Adir Aronovich

(74) *Attorney, Agent, or Firm*—Holtz, Holtz, Goodman &
Chick, PC

(57) **CLAIM**

The ornamental design for a portion of a digital camera, as
shown and described.

DESCRIPTION

FIG. 1 is a front, top and right side perspective view of a
portion of a digital camera, showing my new design;

FIG. 2 is a rear, top and left side perspective view thereof;

FIG. 3 is a front elevational view thereof;

FIG. 4 is a rear elevational view thereof;

FIG. 5 is a top plan view thereof;

FIG. 6 is a bottom plan view thereof;

FIG. 7 is a left side elevational view thereof; and,

FIG. 8 is a right side elevational view thereof.

The broken lines are for illustrative purposes only and form
no part of the claimed design.

1 Claim, 6 Drawing Sheets

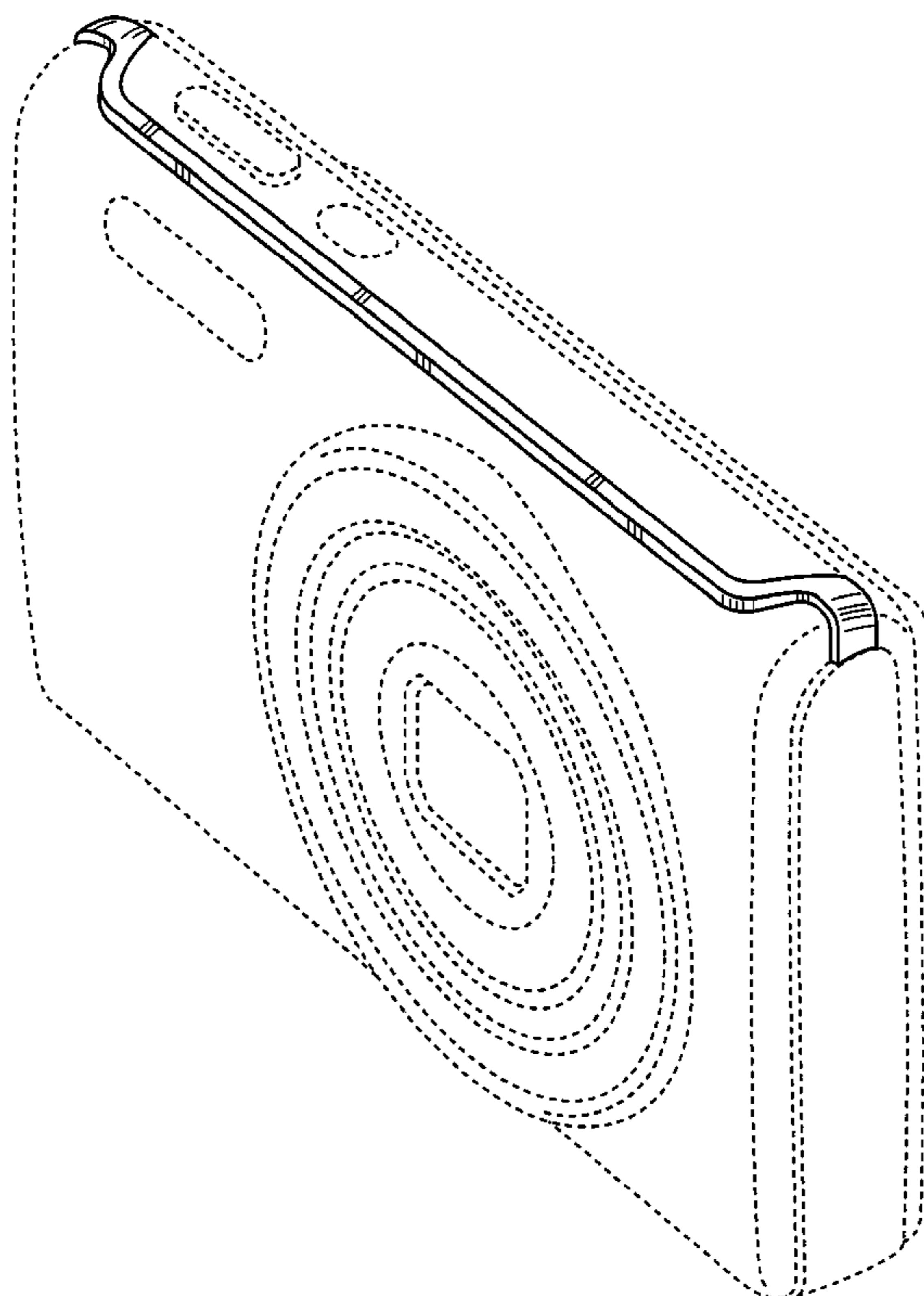


FIG.1

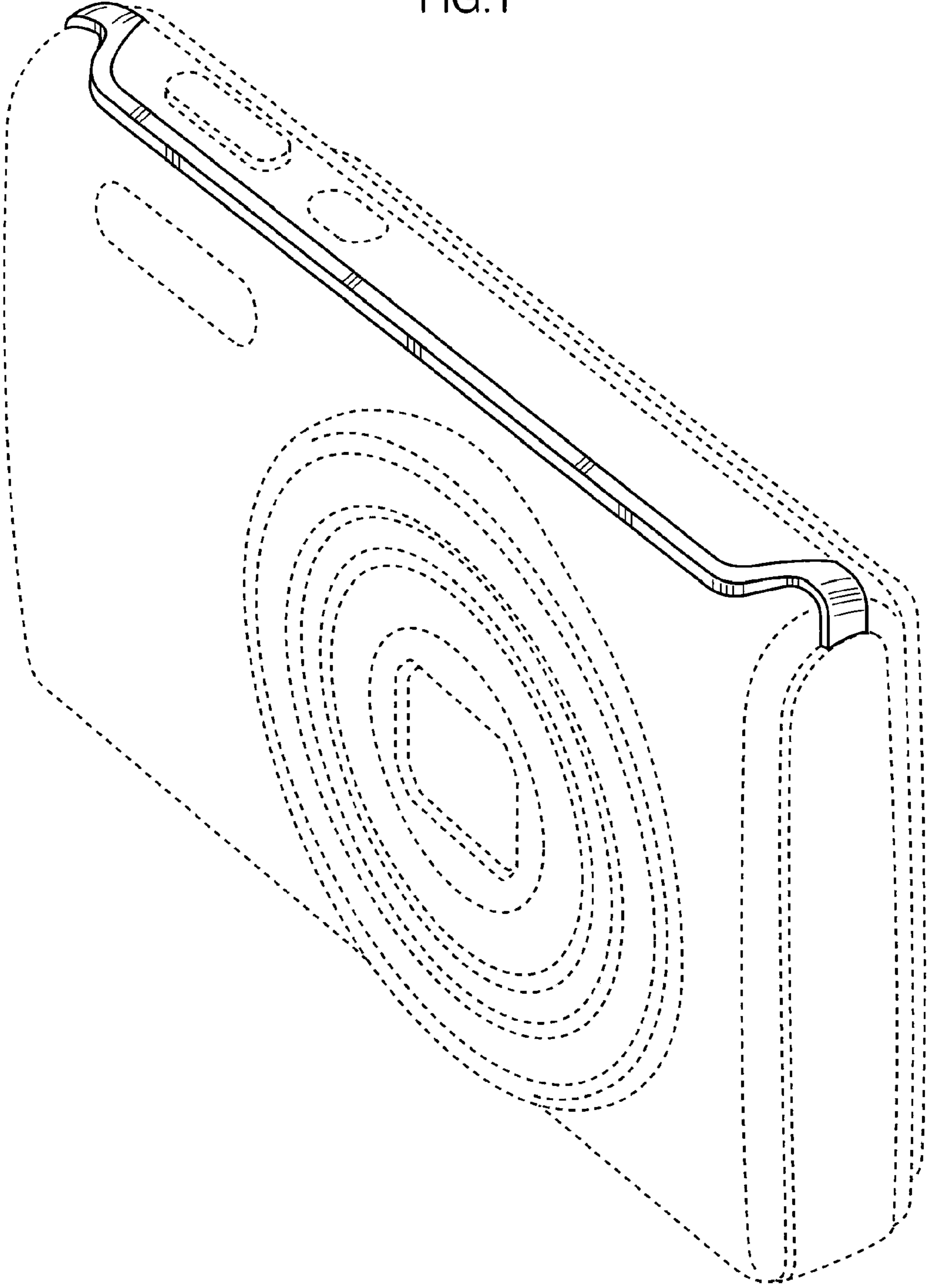


FIG.2

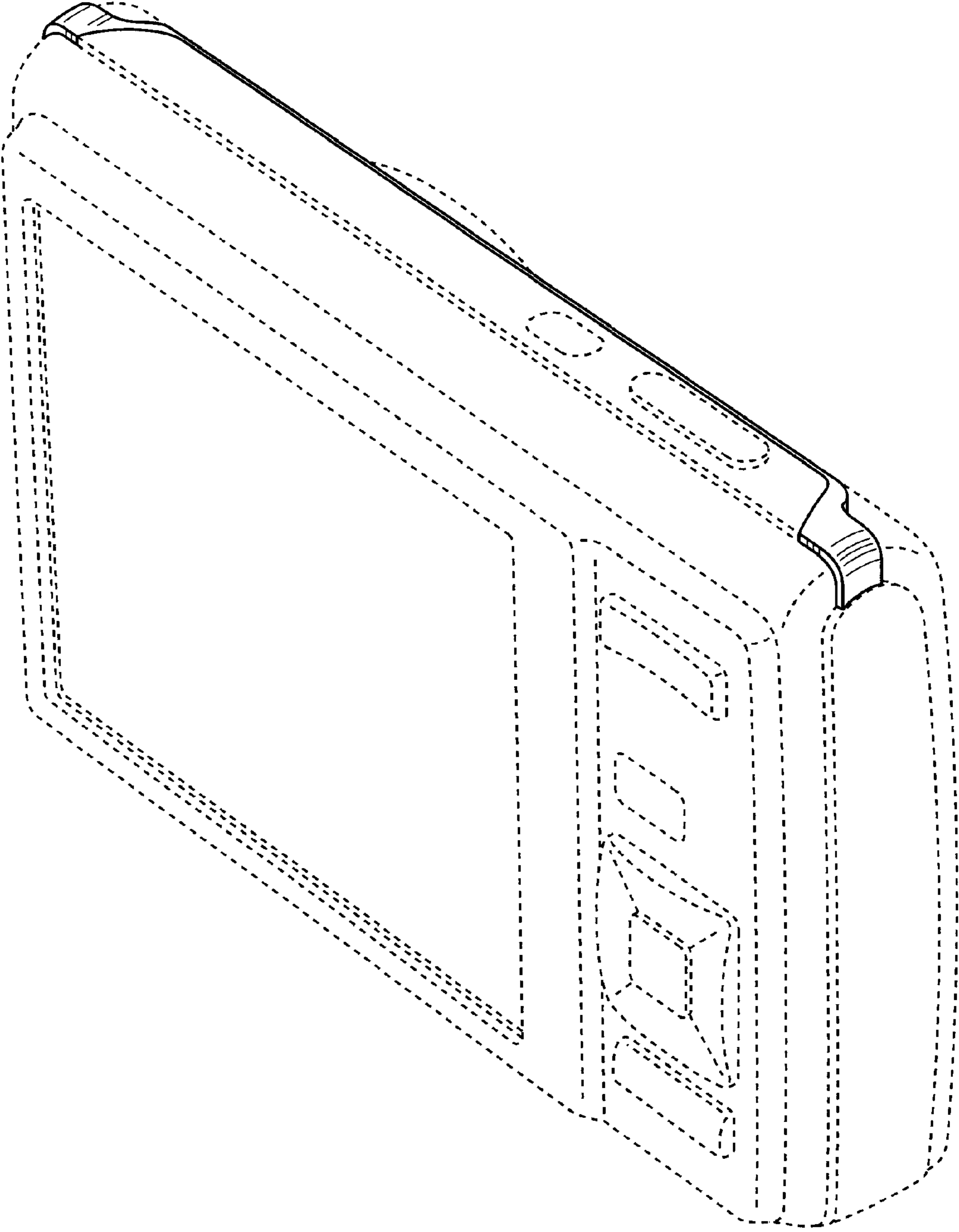


FIG.3

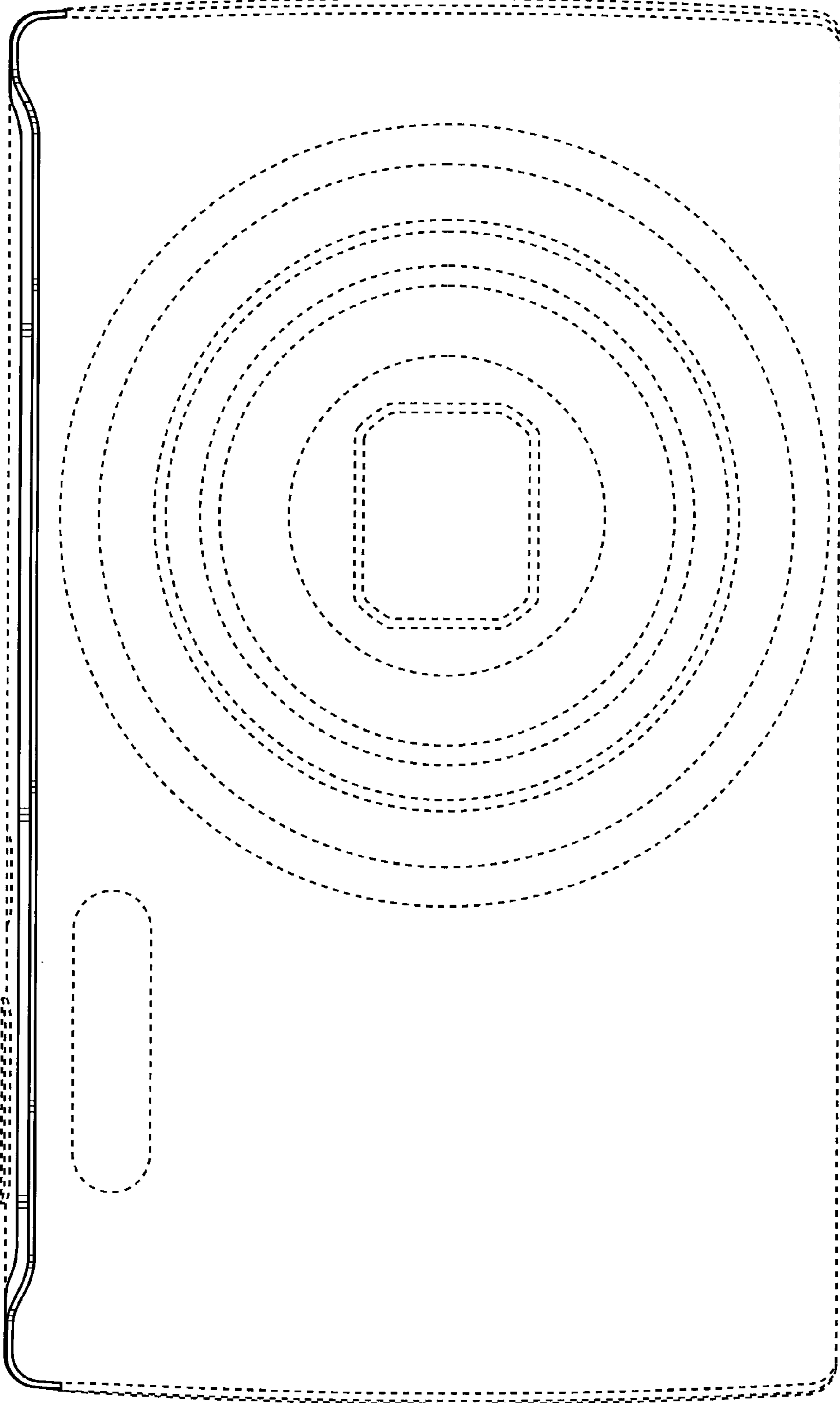


FIG.4

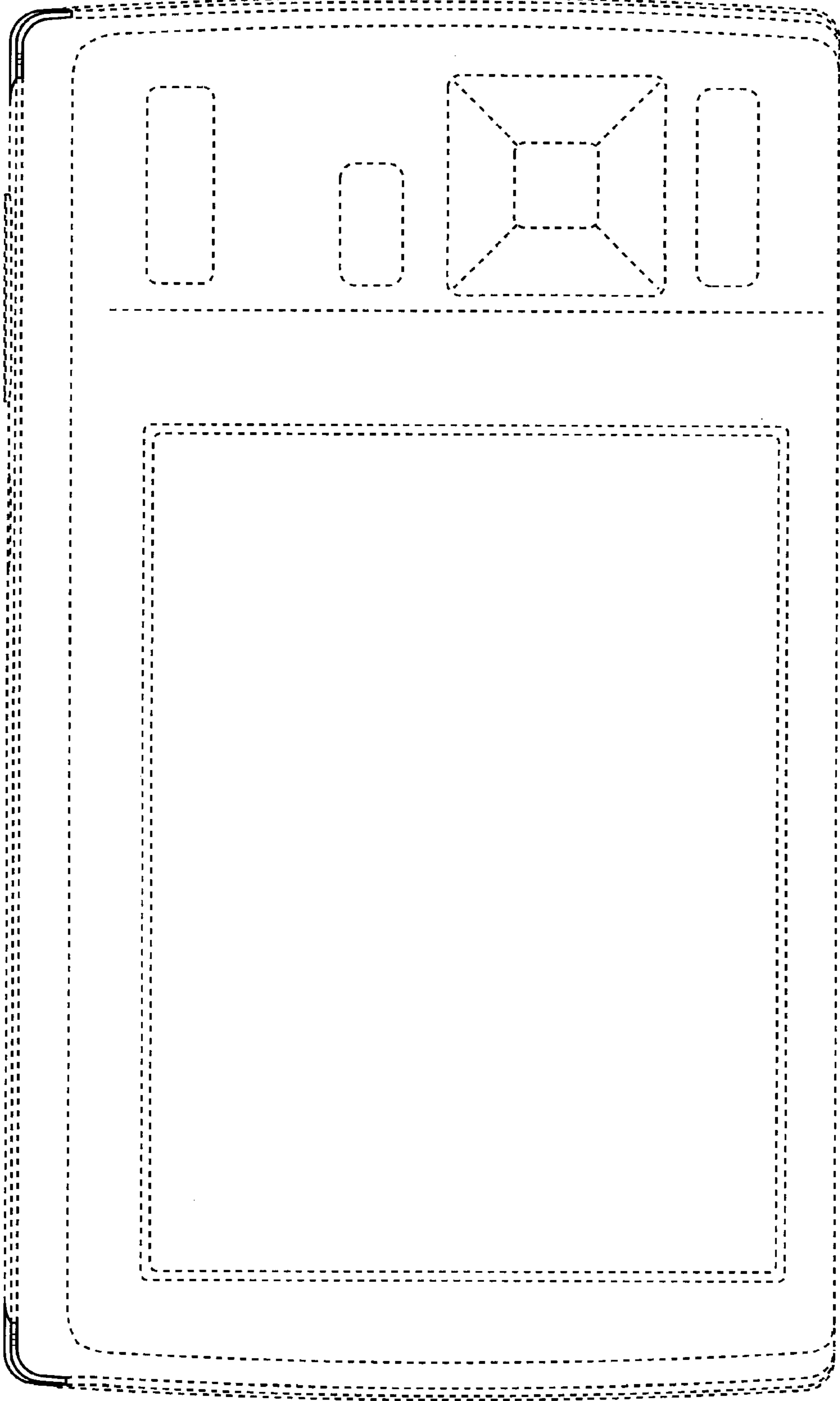


FIG.5

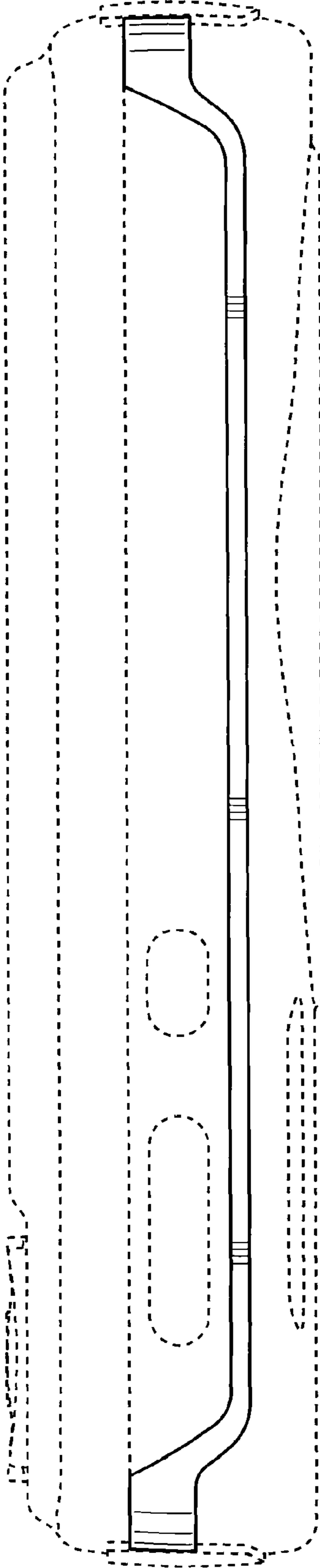


FIG.6

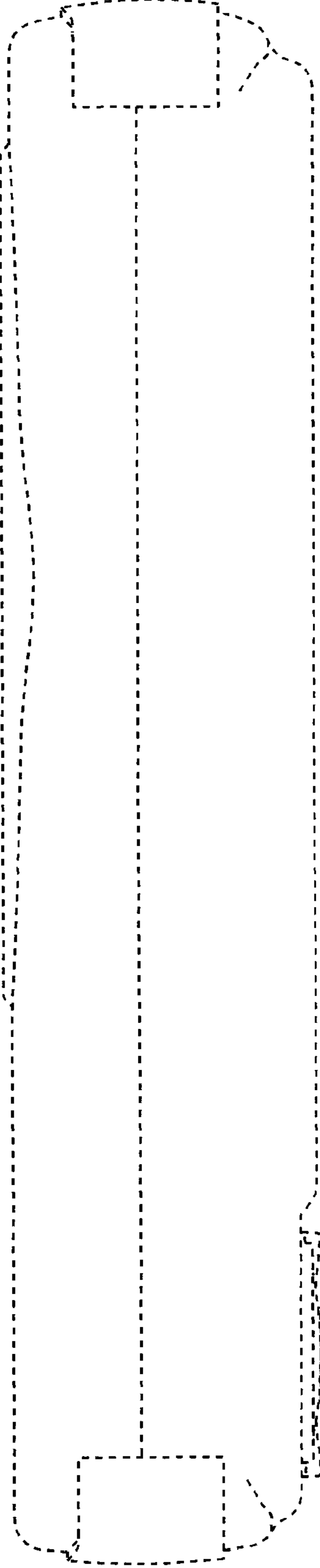


FIG.7

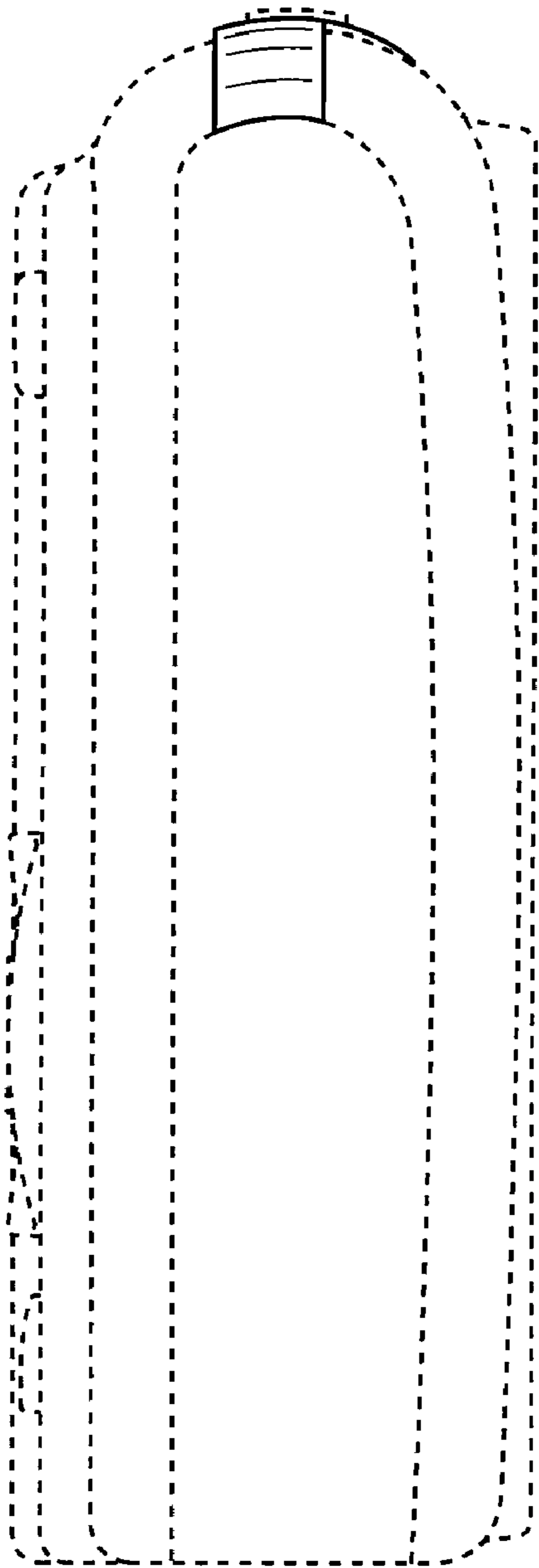


FIG.8

