



US00D633544S

(12) **United States Design Patent**  
**Tainaka**

(10) **Patent No.:** **US D633,544 S**  
(45) **Date of Patent:** **\*\* Mar. 1, 2011**

(54) **DIGITAL CAMERA BODY OF LENS REPLACING TYPE**

2007/0223912 A1\* 9/2007 Sugimoto ..... 396/439

\* cited by examiner

(75) Inventor: **Daisuke Tainaka**, Hachioji (JP)

*Primary Examiner*—Adir Aronovich

(73) Assignee: **Olympus Imaging Corp.**, Tokyo (JP)

(74) *Attorney, Agent, or Firm*—Holtz, Holtz, Goodman & Chick, PC

(\*\*) Term: **14 Years**

(57) **CLAIM**

(21) Appl. No.: **29/356,195**

The ornamental design for a digital camera body of lens replacing type, as shown and described.

(22) Filed: **Feb. 22, 2010**

(30) **Foreign Application Priority Data**

**DESCRIPTION**

Jan. 28, 2010 (JP) ..... 2010-001994

FIG. 1 is a front, top and right side perspective view of a digital camera body of lens replacing type showing my new design;

(51) **LOC (9) Cl.** ..... **16-05**

(52) **U.S. Cl.** ..... **D16/219**

(58) **Field of Classification Search** ..... D16/200,  
D16/202, 204, 209, 218, 219; 348/373–376;  
358/909.1; 396/439, 535, 540, 541

FIG. 2 is a front elevational view thereof;

FIG. 3 is a rear elevational view thereof;

FIG. 4 is a top plan view thereof;

FIG. 5 is a bottom plan view thereof;

See application file for complete search history.

FIG. 6 is a right side elevational view thereof;

FIG. 7 is a left side elevational view thereof; and,

FIG. 8 is a fragmental enlarged rear perspective view thereof.

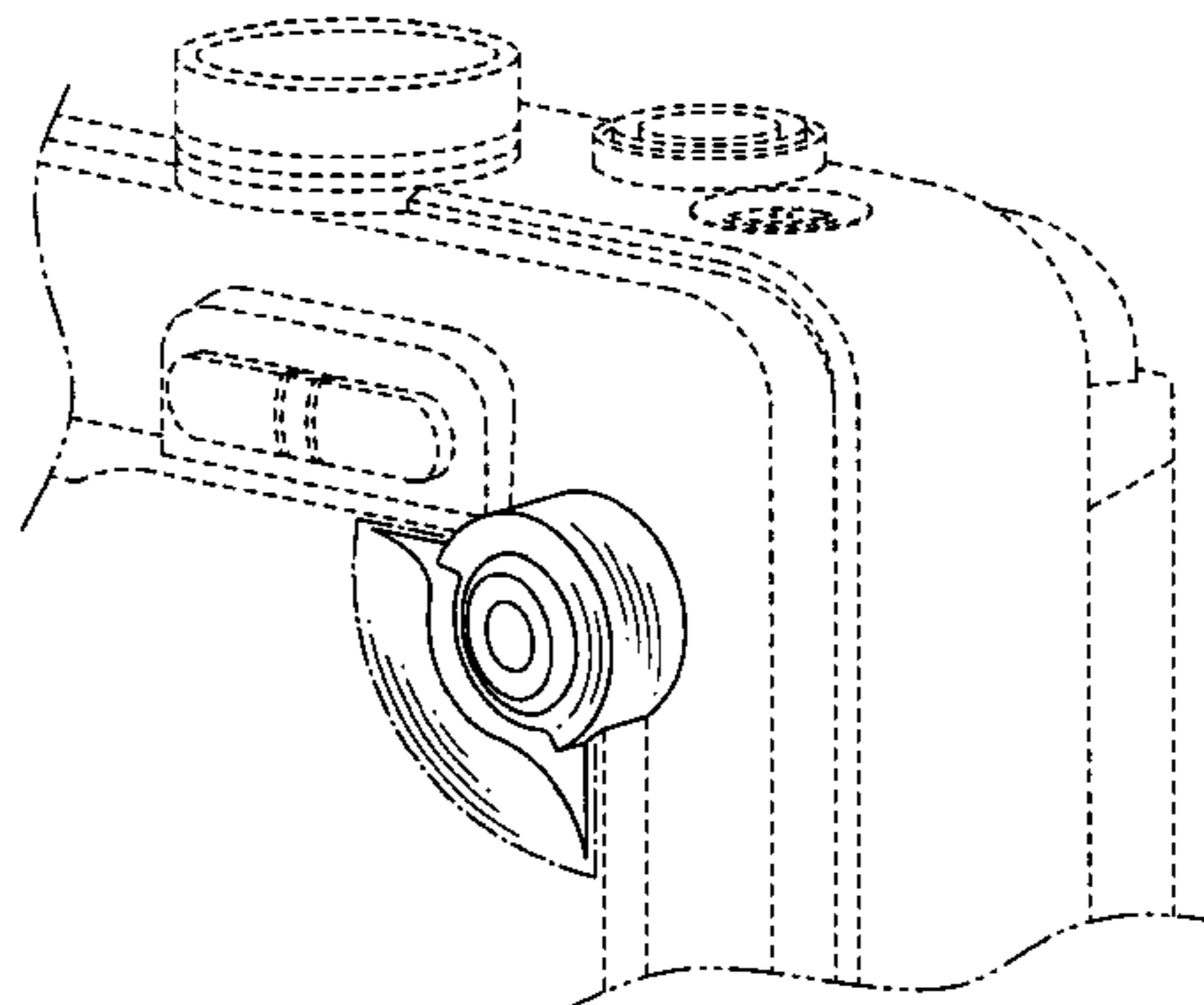
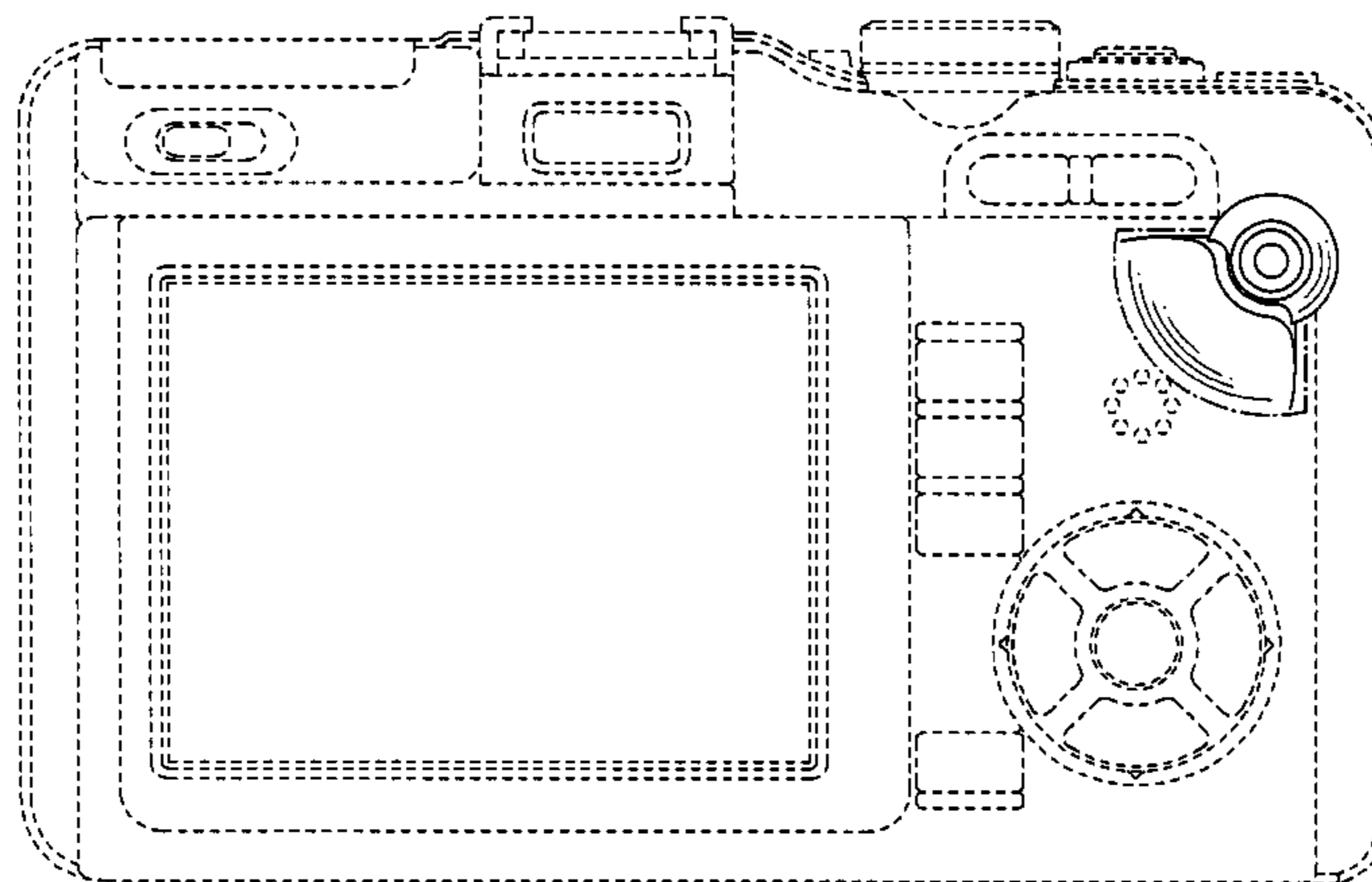
(56) **References Cited**

The portions of the digital camera body of lens replacing type in broken lines are shown for illustrative purposes only and form no part of the claimed design.

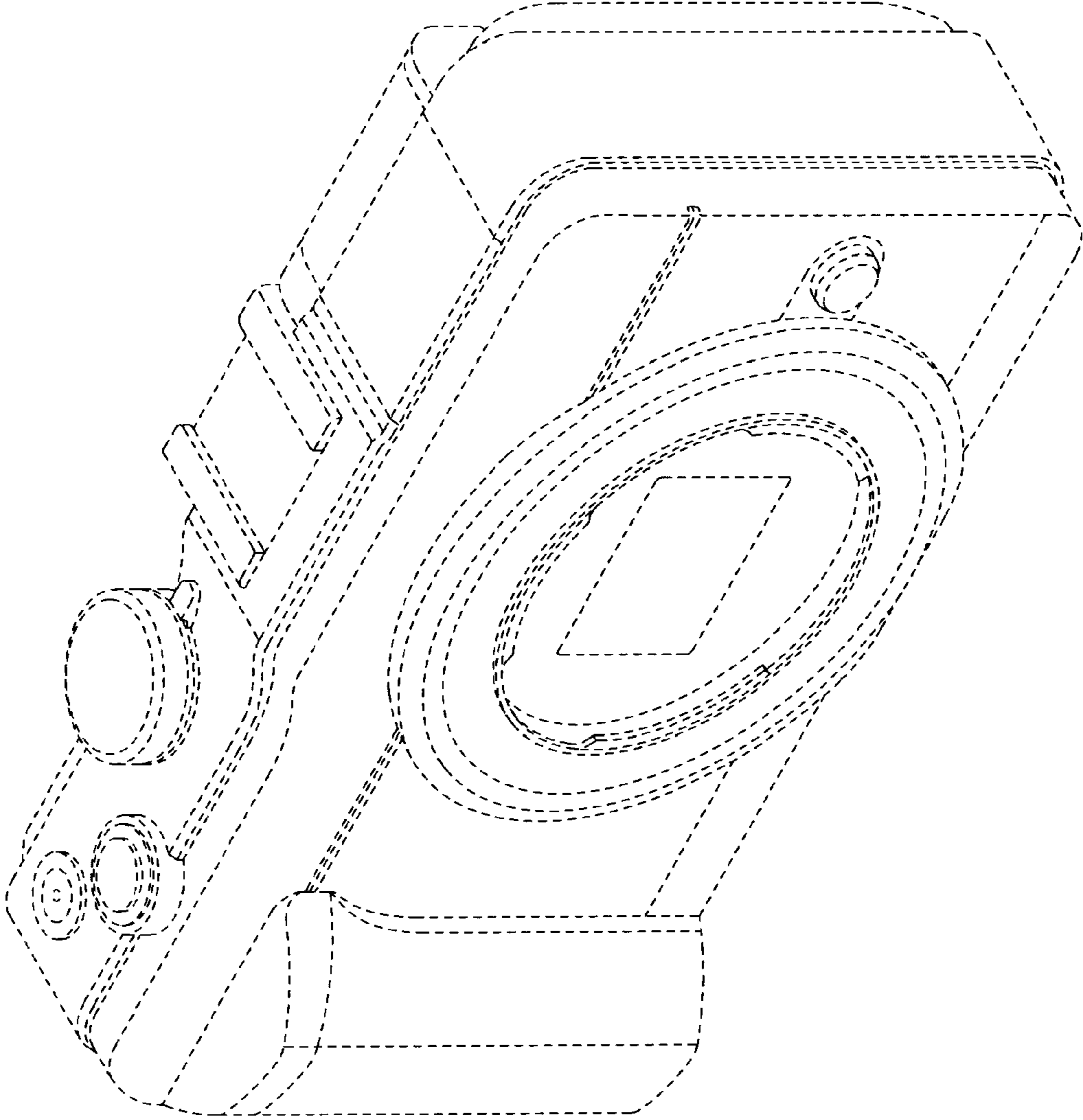
**U.S. PATENT DOCUMENTS**

D478,109 S *	8/2003	Tanaka	.....	D16/219
D484,167 S *	12/2003	Naito	.....	D16/202
6,788,894 B2 *	9/2004	Suzuki et al.	.....	348/373
D542,826 S *	5/2007	Ina et al.	.....	D16/219
D565,074 S *	3/2008	Shimobayashi	.....	D16/219
7,519,290 B2 *	4/2009	Nozaki	.....	396/439

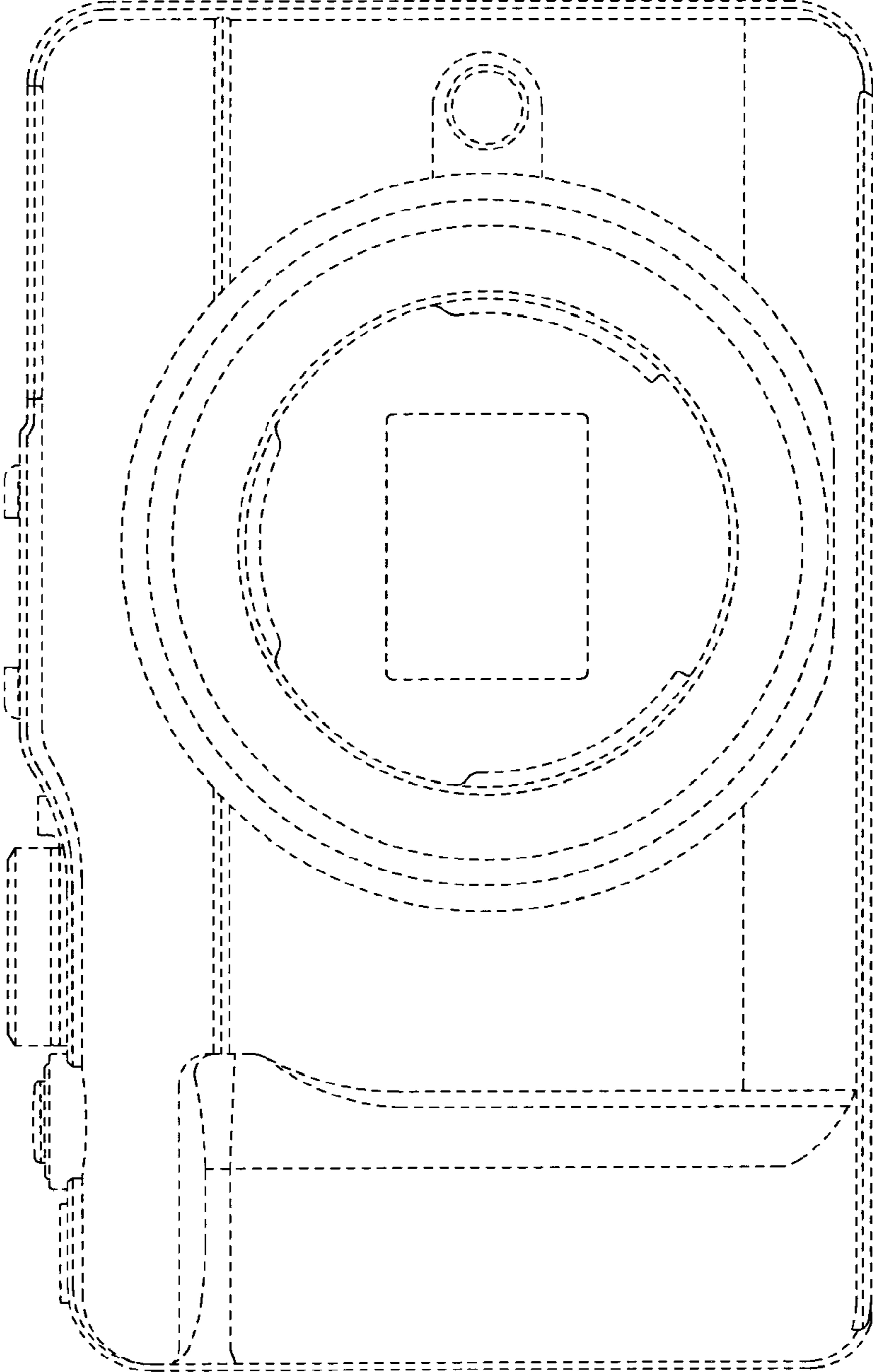
**1 Claim, 7 Drawing Sheets**



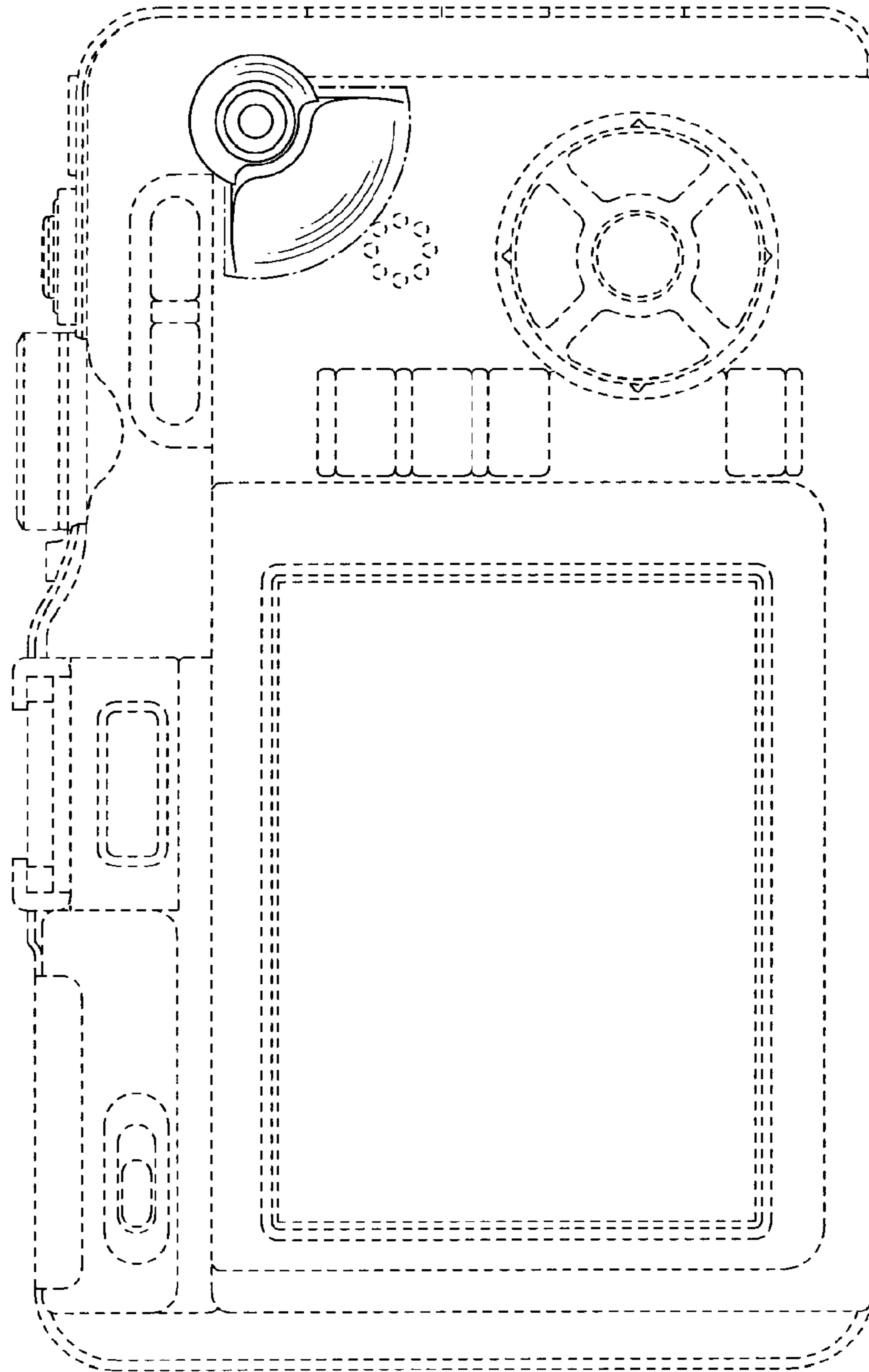
**FIG.1**



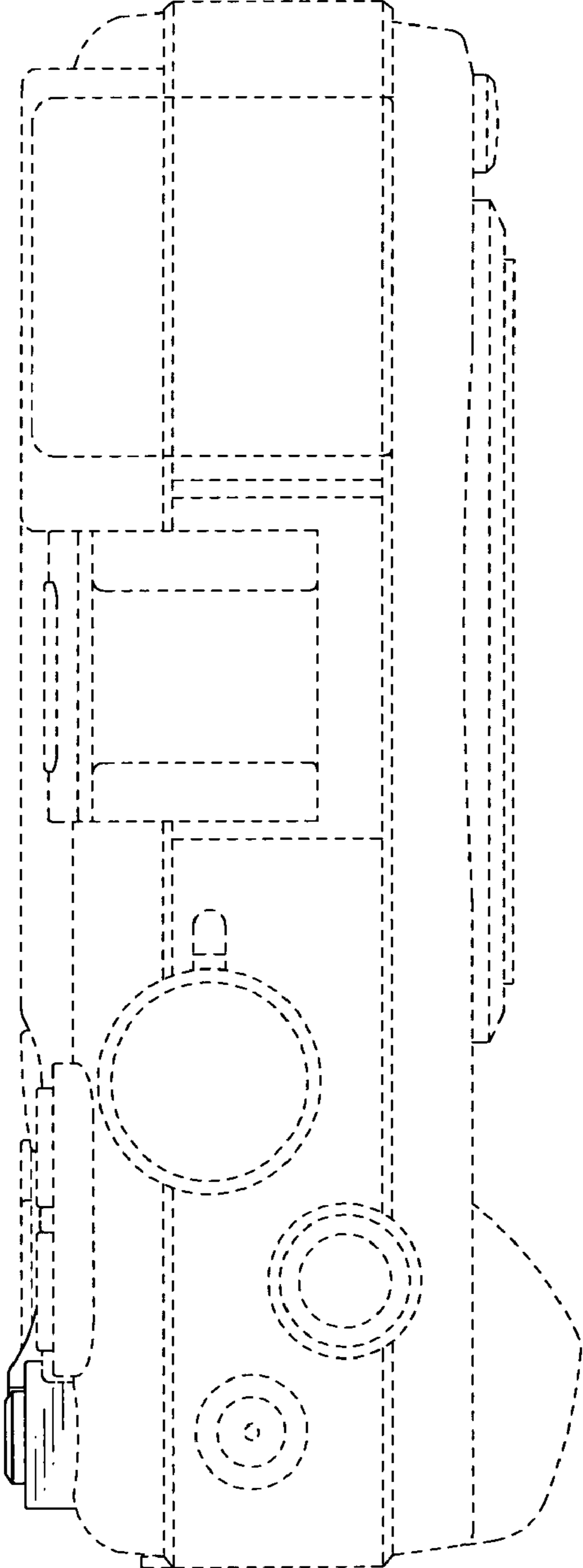
**FIG.2**



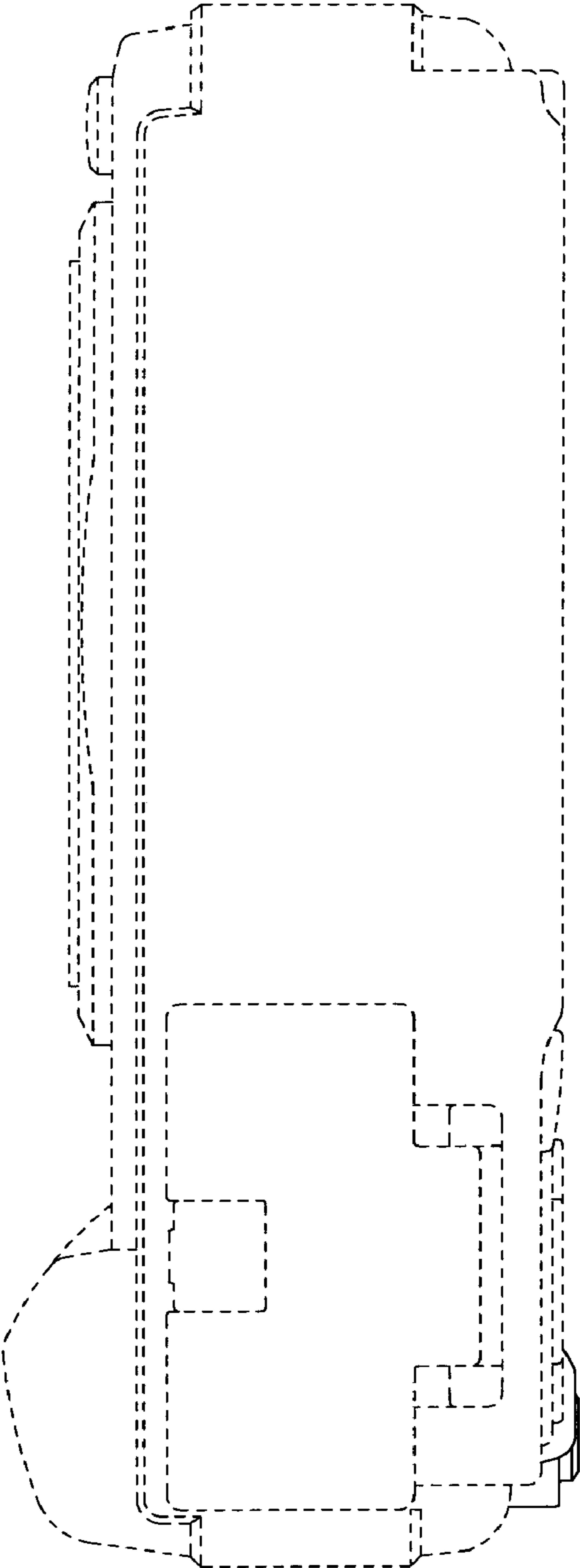
**FIG. 3**



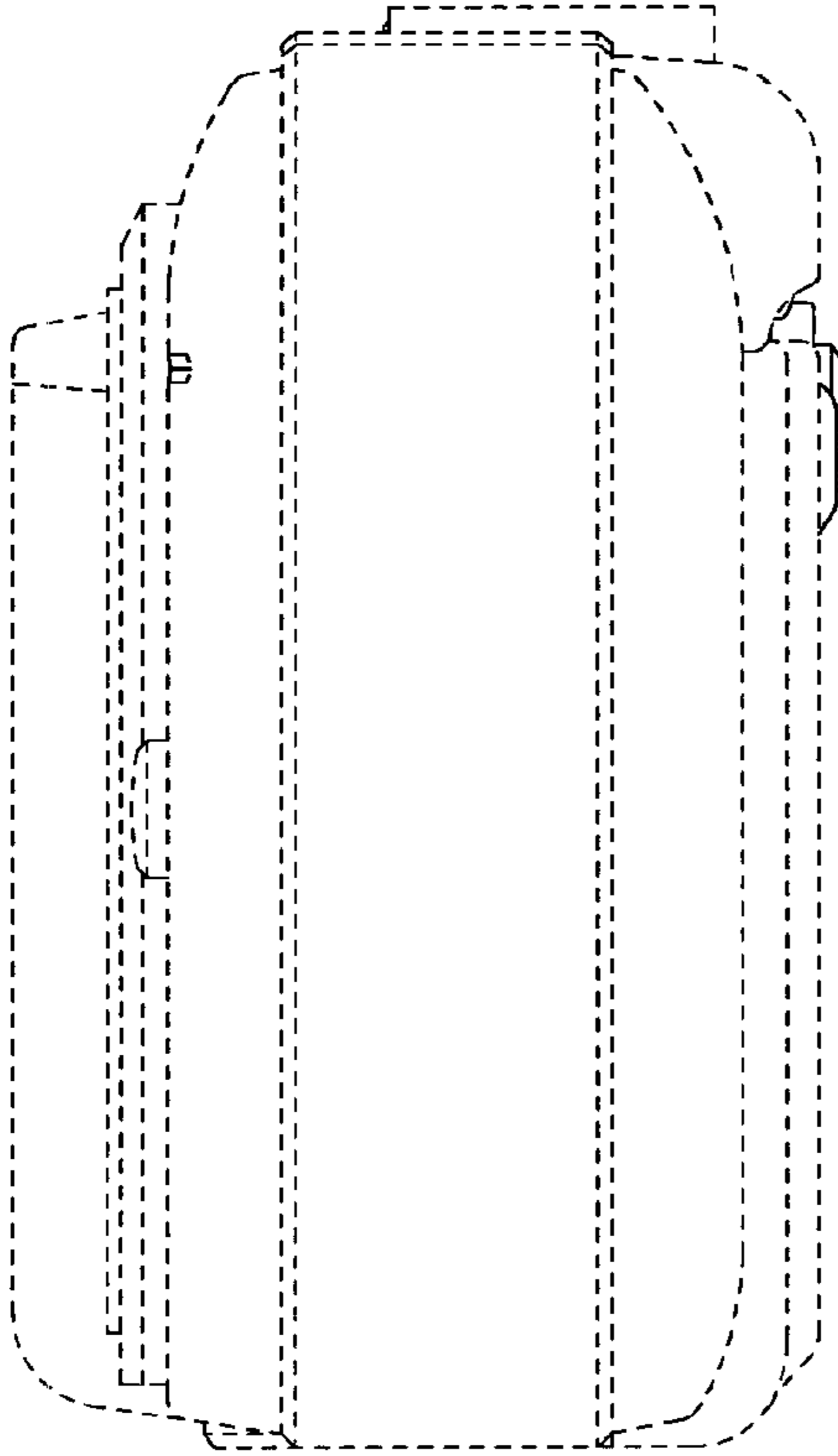
**FIG.4**



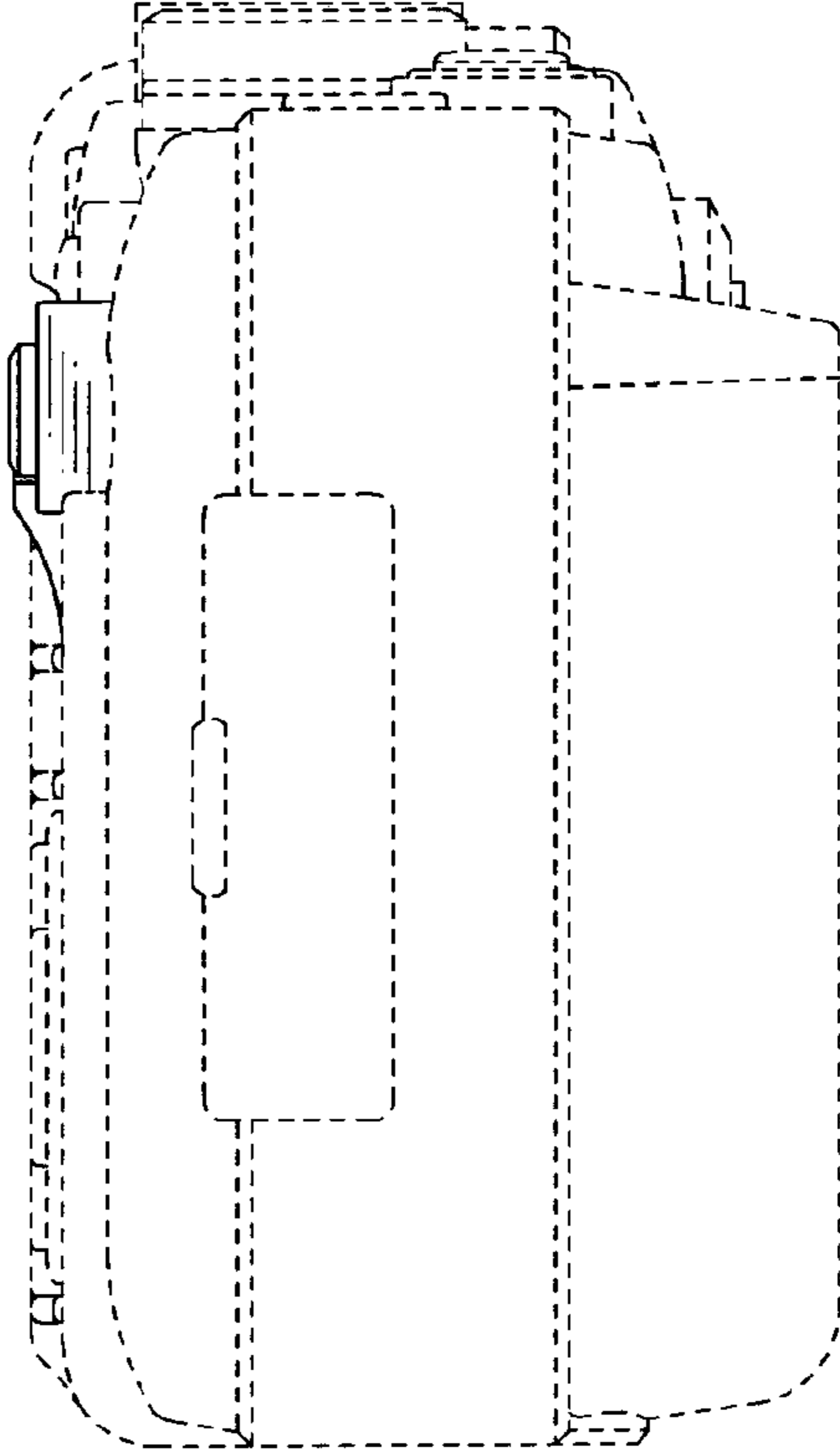
**FIG. 5**



**FIG.6**



**FIG.7**



**FIG.8**

