

US00D633542S

(12) **United States Design Patent**
Tajima

(10) **Patent No.:** **US D633,542 S**
(45) **Date of Patent:** **** Mar. 1, 2011**

(54) **DIGITAL CAMERA**

D610,180 S * 2/2010 Tainaka D16/202

(75) Inventor: **Kenji Tajima**, Hachioji (JP)

(73) Assignee: **Olympus Imaging Corp.**, Tokyo (JP)

(**) Term: **14 Years**

(21) Appl. No.: **29/366,442**

(22) Filed: **Jul. 26, 2010**

(51) **LOC (9) Cl.** **16-01**

(52) **U.S. Cl.** **D16/202**

(58) **Field of Classification Search** D16/200–204,
D16/208, 218; 348/373–376; 358/909.1;
396/535–541

See application file for complete search history.

(56) **References Cited**

U.S. PATENT DOCUMENTS

D546,859 S *	7/2007	Ishii	D16/218
D556,230 S *	11/2007	Hanafusa et al.	D16/202
D576,191 S *	9/2008	Shimobayashi	D16/202
D591,781 S *	5/2009	Matsuda	D16/202
D604,348 S *	11/2009	Inaba	D16/202
D605,678 S *	12/2009	Shimobayashi	D16/202
7,646,426 B2 *	1/2010	Saiki et al.	348/373

OTHER PUBLICATIONS

U.S. Appl. No. 29/366,445; First Named Inventor: Kenji Tajima;
Title: "Portion of a Digital Camera"; filed Jul. 26, 2010.

* cited by examiner

Primary Examiner—Adir Aronovich

(74) *Attorney, Agent, or Firm*—Holtz, Holtz, Goodman &
Chick, PC

(57) **CLAIM**

The ornamental design for a digital camera, as shown.

DESCRIPTION

FIG. 1 is a front, top and right side perspective view of a
digital camera, showing my new design;

FIG. 2 is a rear, top and left side perspective view thereof;

FIG. 3 is a front elevational view thereof;

FIG. 4 is a rear elevational view thereof;

FIG. 5 is a top plan view thereof;

FIG. 6 is a bottom plan view thereof;

FIG. 7 is a left side elevational view thereof; and,

FIG. 8 is a right side elevational view thereof.

1 Claim, 6 Drawing Sheets

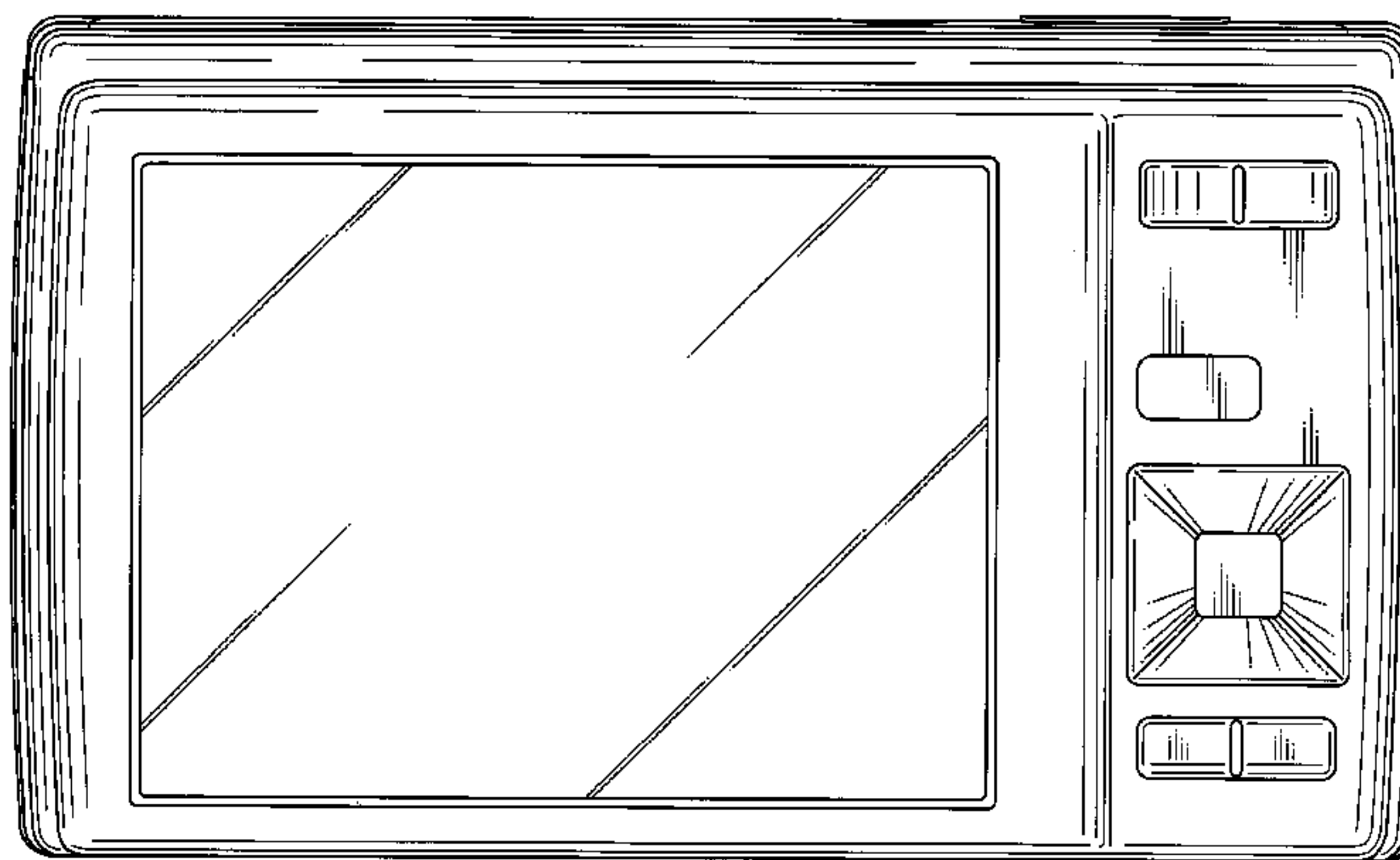
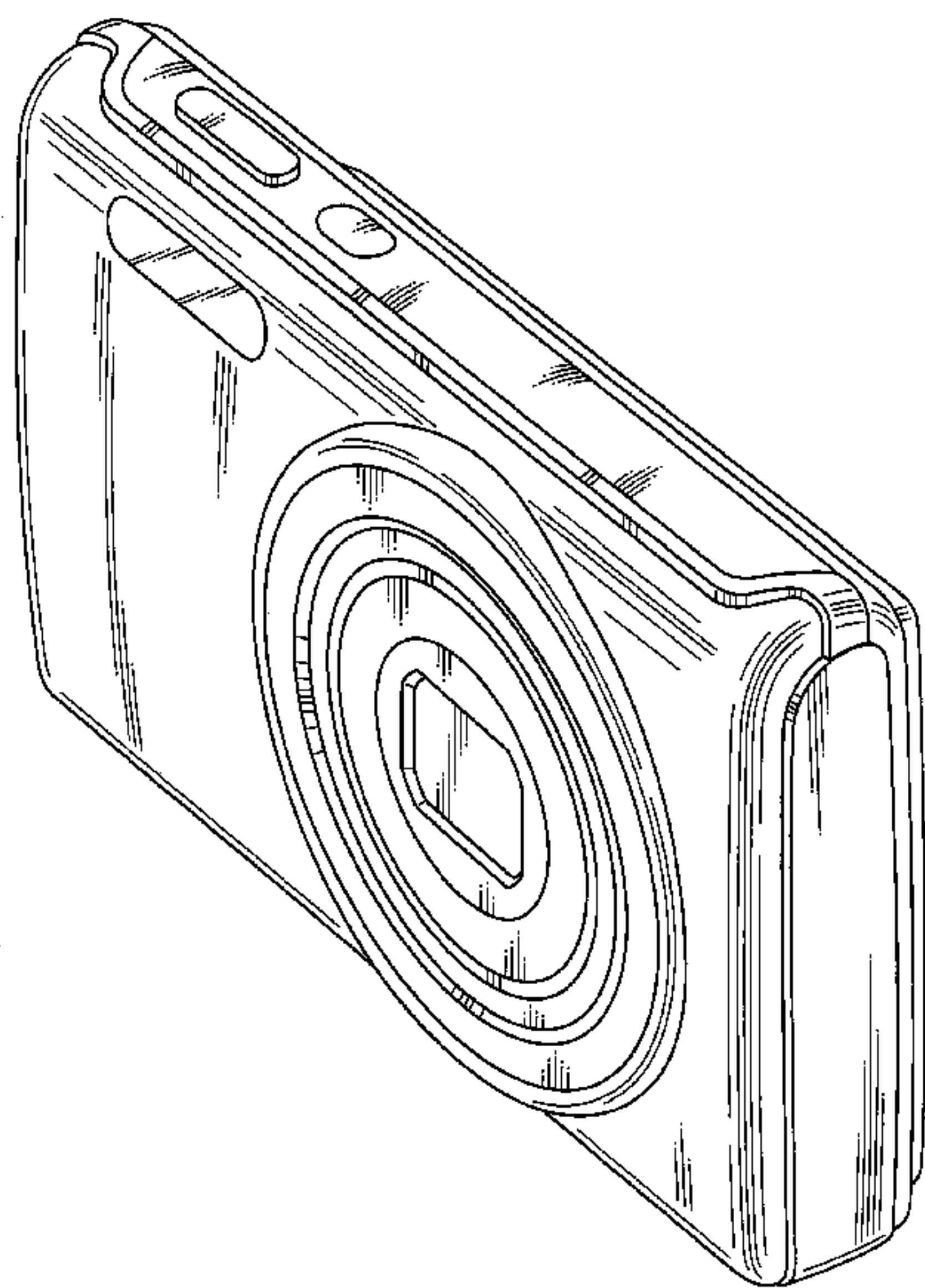


FIG.1

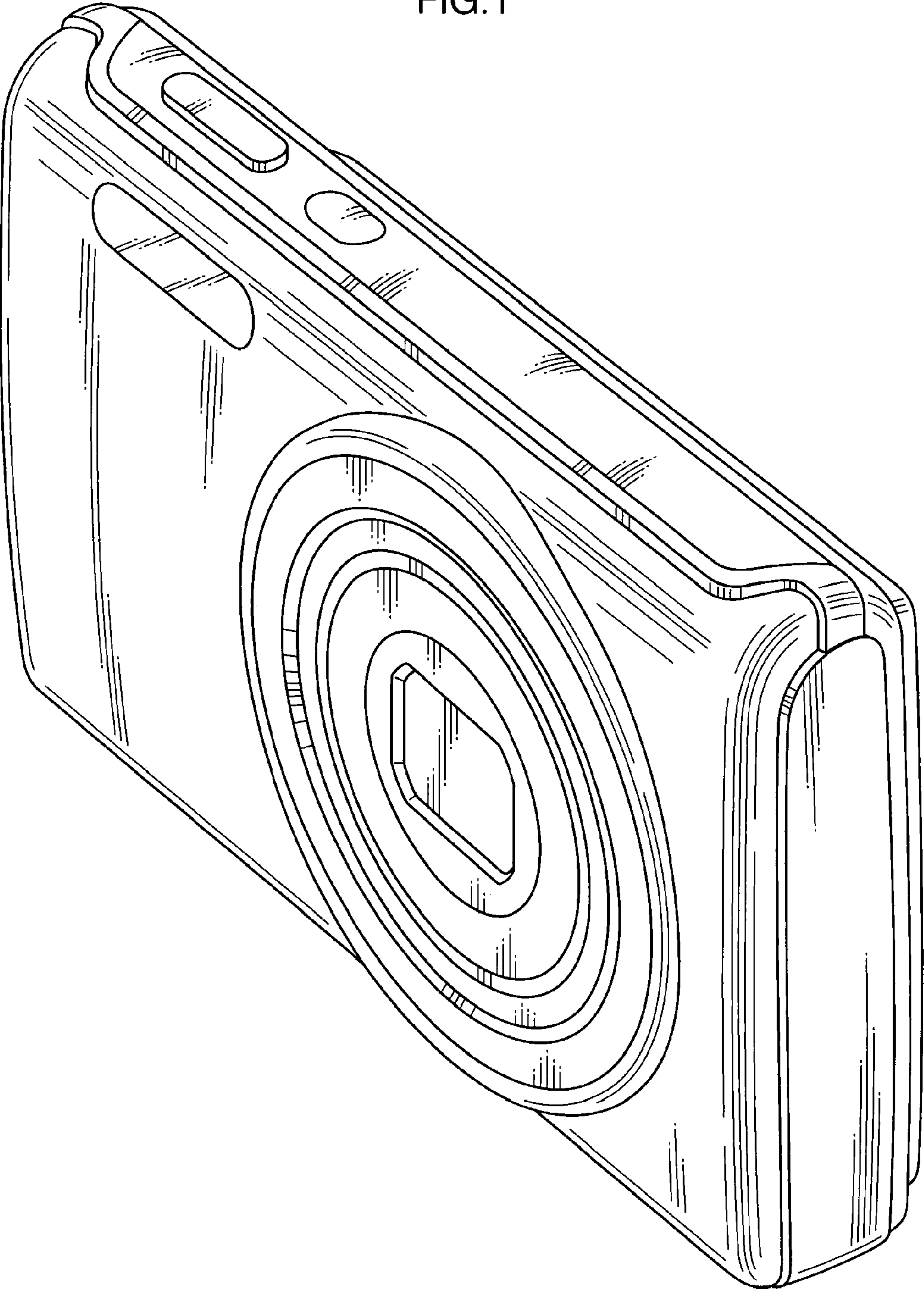


FIG.2

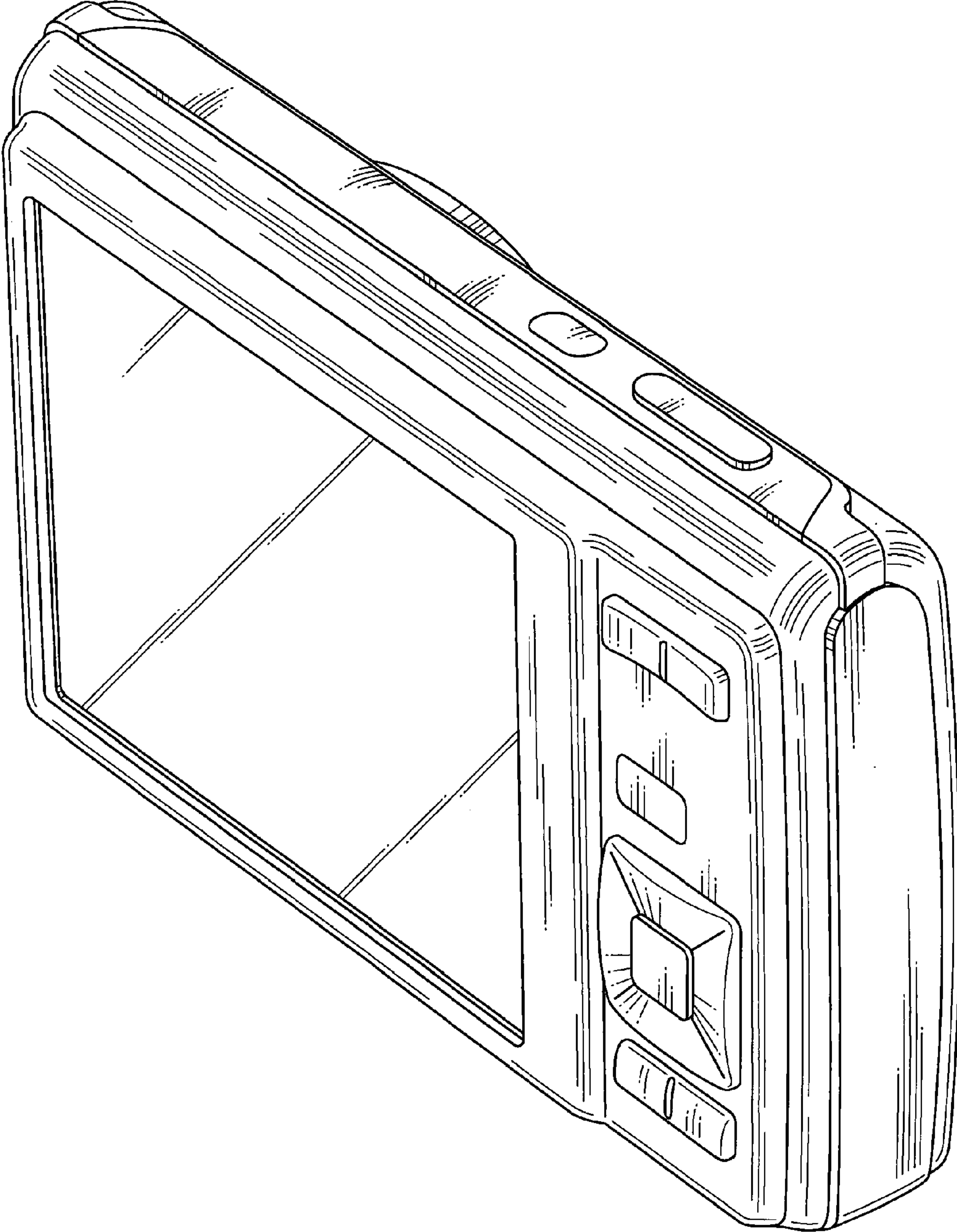


FIG.3

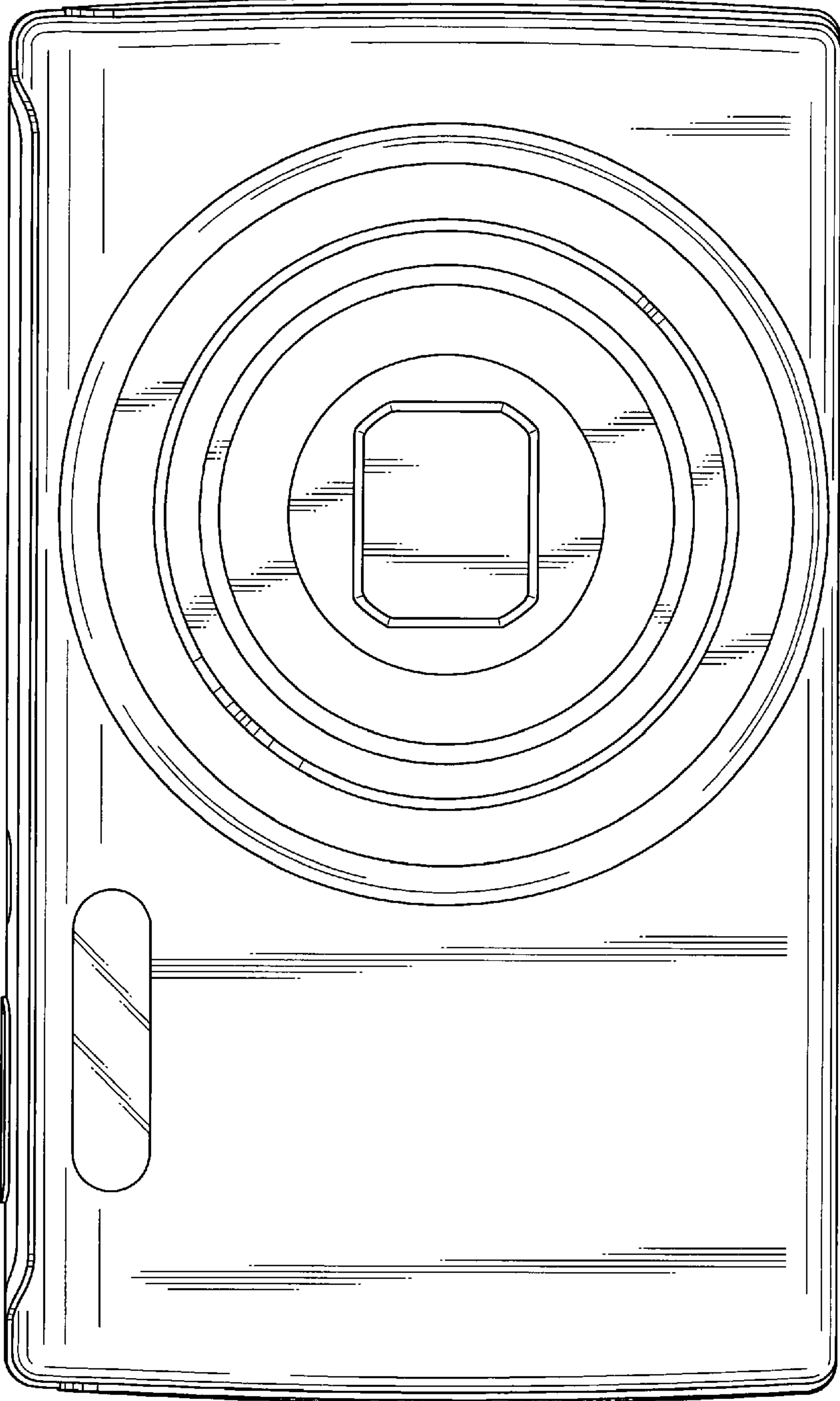


FIG.4

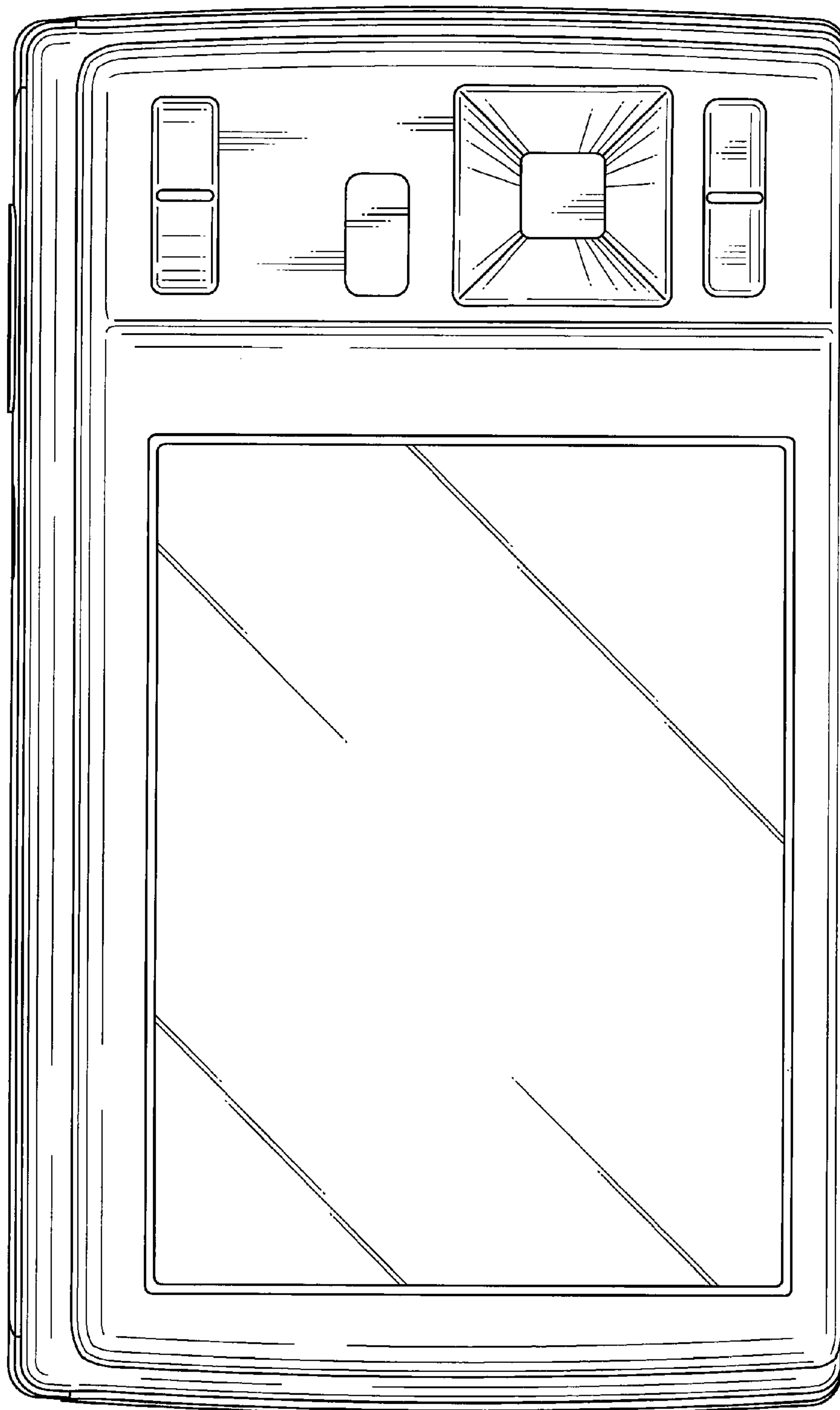


FIG.5

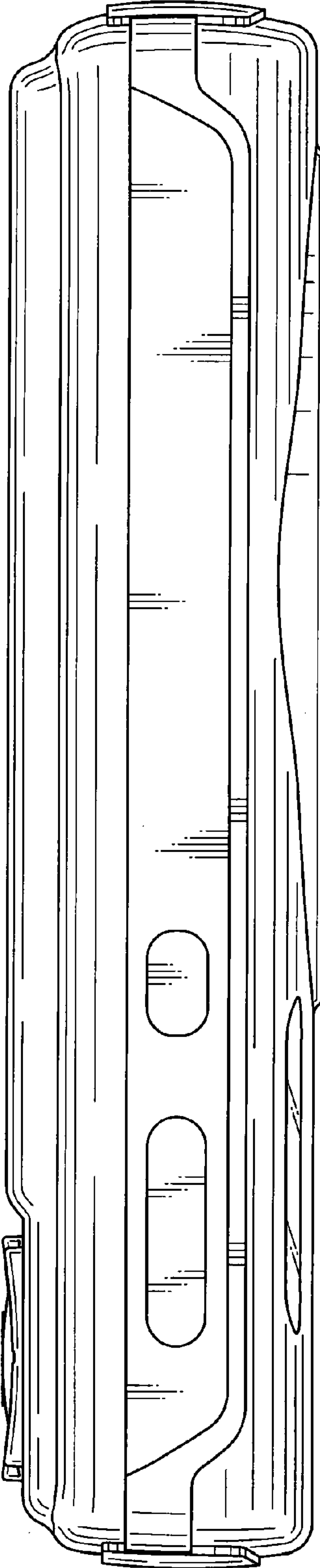


FIG.6

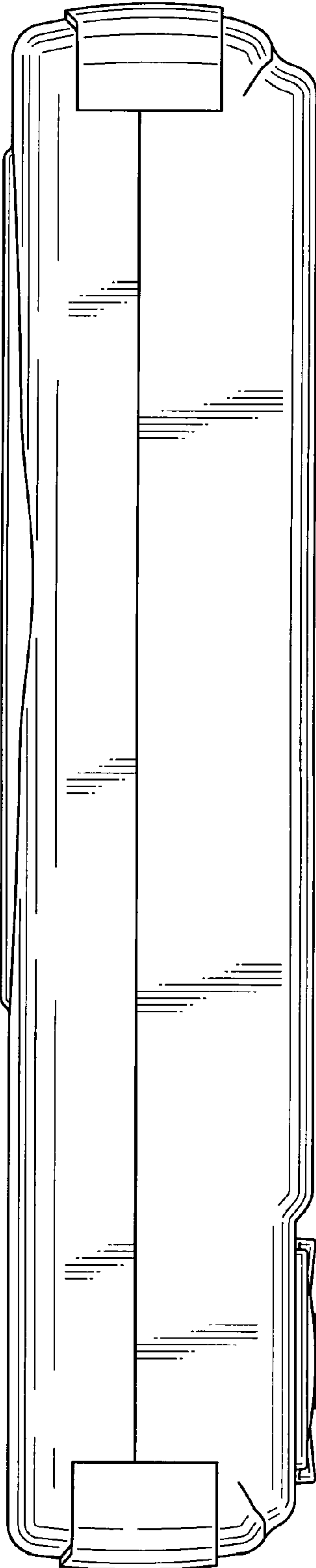


FIG.7

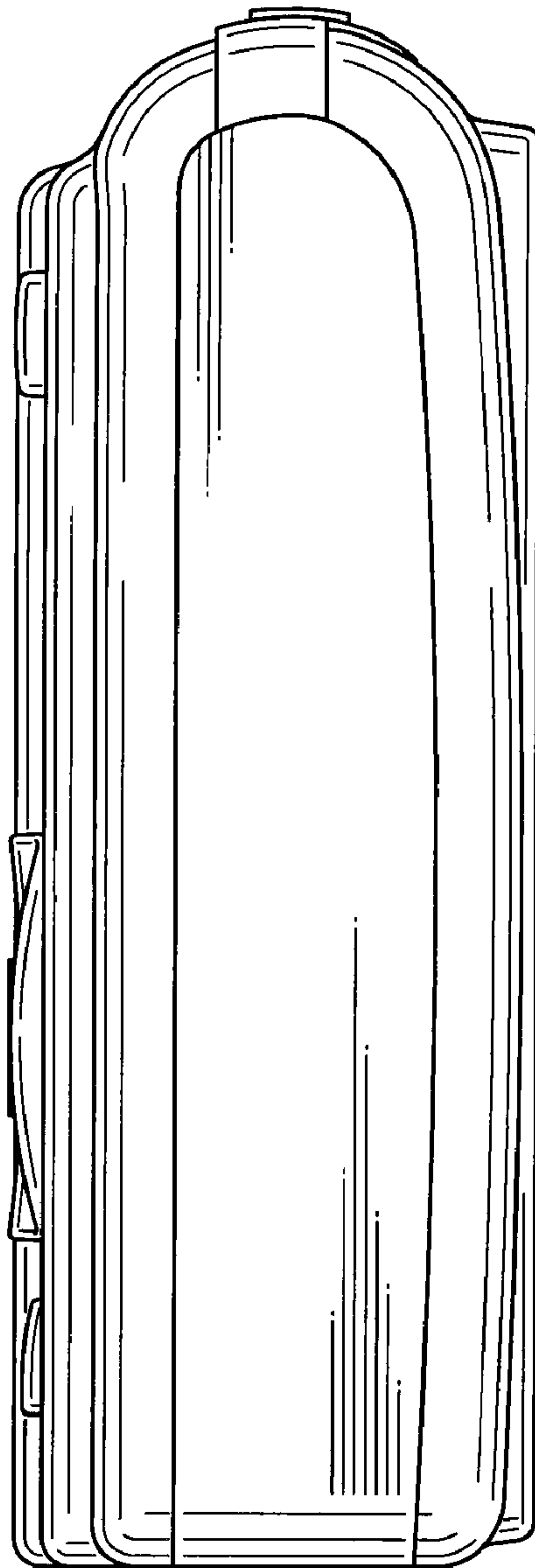


FIG.8

